

[54] **COMBINED HANDSET AND STAND TELEPHONE UNIT**
 [75] **Inventor: Tapani Hyvönen, Turku, Finland**
 [73] **Assignee: Laukamo Oy, Somero, Finland**
 [**] **Term: 14 Years**
 [21] **Appl. No.: 872,436**
 [22] **Filed: Jun. 9, 1986**
 [30] **Foreign Application Priority Data**

Feb. 11, 1986 [FI] Finland 173/86
 [52] **U.S. Cl. D14/53; D14/62; D14/63**
 [58] **Field of Search D14/53, 62, 60, 63, D14/64; 379/428, 433, 434, 436, 440; D21/111**

[56] **References Cited**
U.S. PATENT DOCUMENTS

D. 210,668	4/1968	Janda	D14/63
D. 227,782	7/1973	Hazell et al.	D14/63
D. 236,627	9/1975	Henshaw et al.	D14/63
D. 271,393	11/1983	Carr	D14/64 X
D. 282,465	2/1986	Harley et al.	D14/63
D. 282,659	2/1988	Abrams	D14/64 X
D. 284,572	7/1986	Perkins	D14/63 X
D. 284,858	7/1986	Kao	D14/64 X
D. 285,199	8/1986	Hocking et al.	D14/64 X

D. 287,248	12/1986	Reichenstein	D14/63
D. 287,851	1/1987	Hoi	D14/64 X
D. 289,639	5/1987	Anno et al.	D14/63 X
D. 290,116	6/1987	Yasui et al.	D14/63 X
3,584,157	6/1971	Prescott	D14/53 X
4,169,218	9/1979	Tyler	D14/53 UX
4,593,159	6/1986	Charchanko	D14/63 UX
4,675,903	6/1987	Gulezian et al.	D14/63 UX

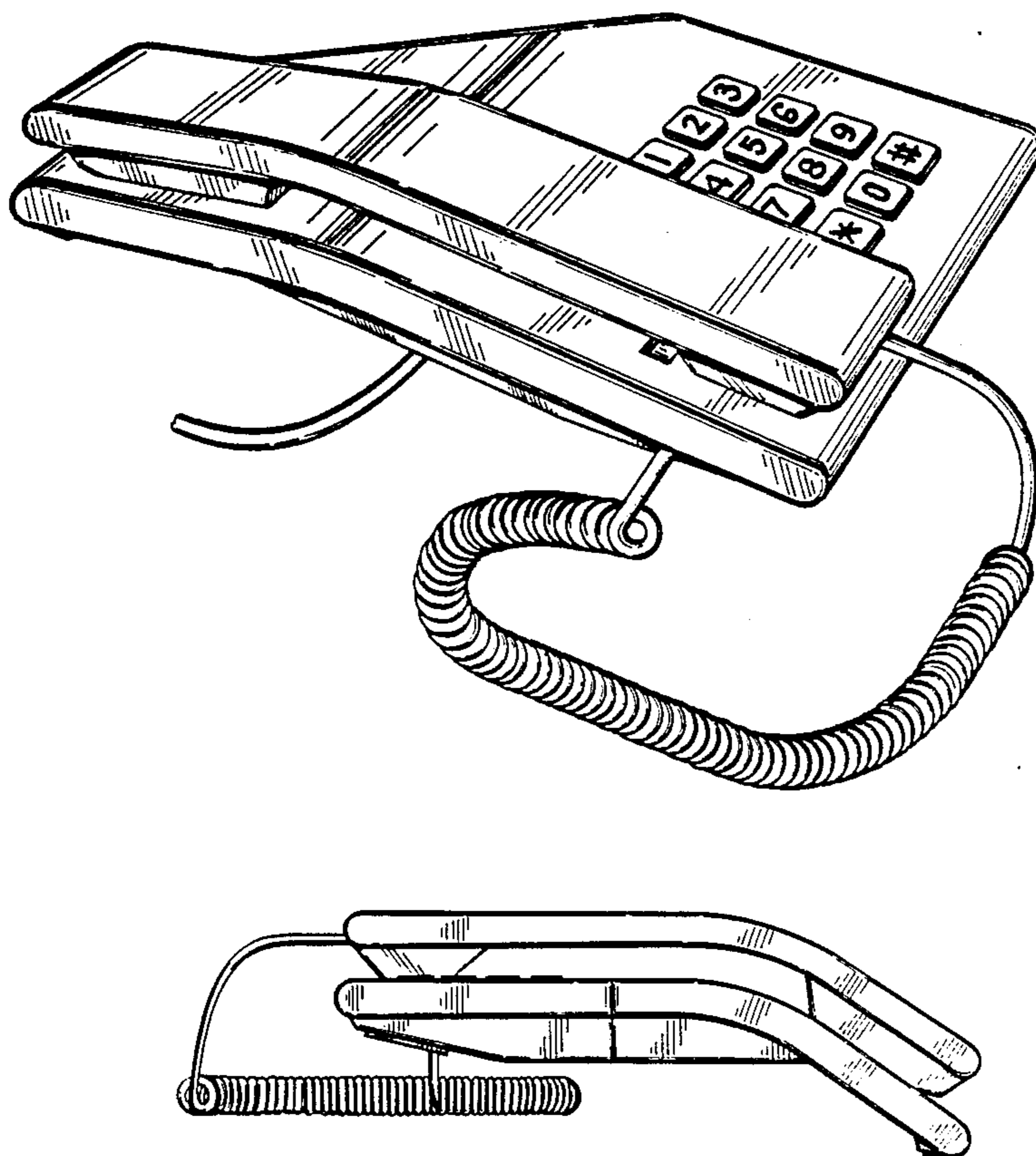
Primary Examiner—Wallace R. Burke
Assistant Examiner—Horace B. Fay, Jr.
Attorney, Agent, or Firm—McAulay, Fields, Fisher, Goldstein & Nissen

[57] **CLAIM**

The ornamental design for combined handset and stand telephone unit, as shown and described.

DESCRIPTION

FIG. 1 is a left side top and front perspective view of a combined handset and stand telephone unit showing my new design in cradled relationship;
 FIGS. 2 and 3 are respectively top and bottom plan views thereof;
 FIGS. 4 and 5 are respectively left and right side elevational views thereof; and
 FIGS. 6 and 7 are respectively rear and front elevational views thereof.
 A cord is shown in fragmentary form in FIGS. 1, 2 and 3 for convenience of illustration.



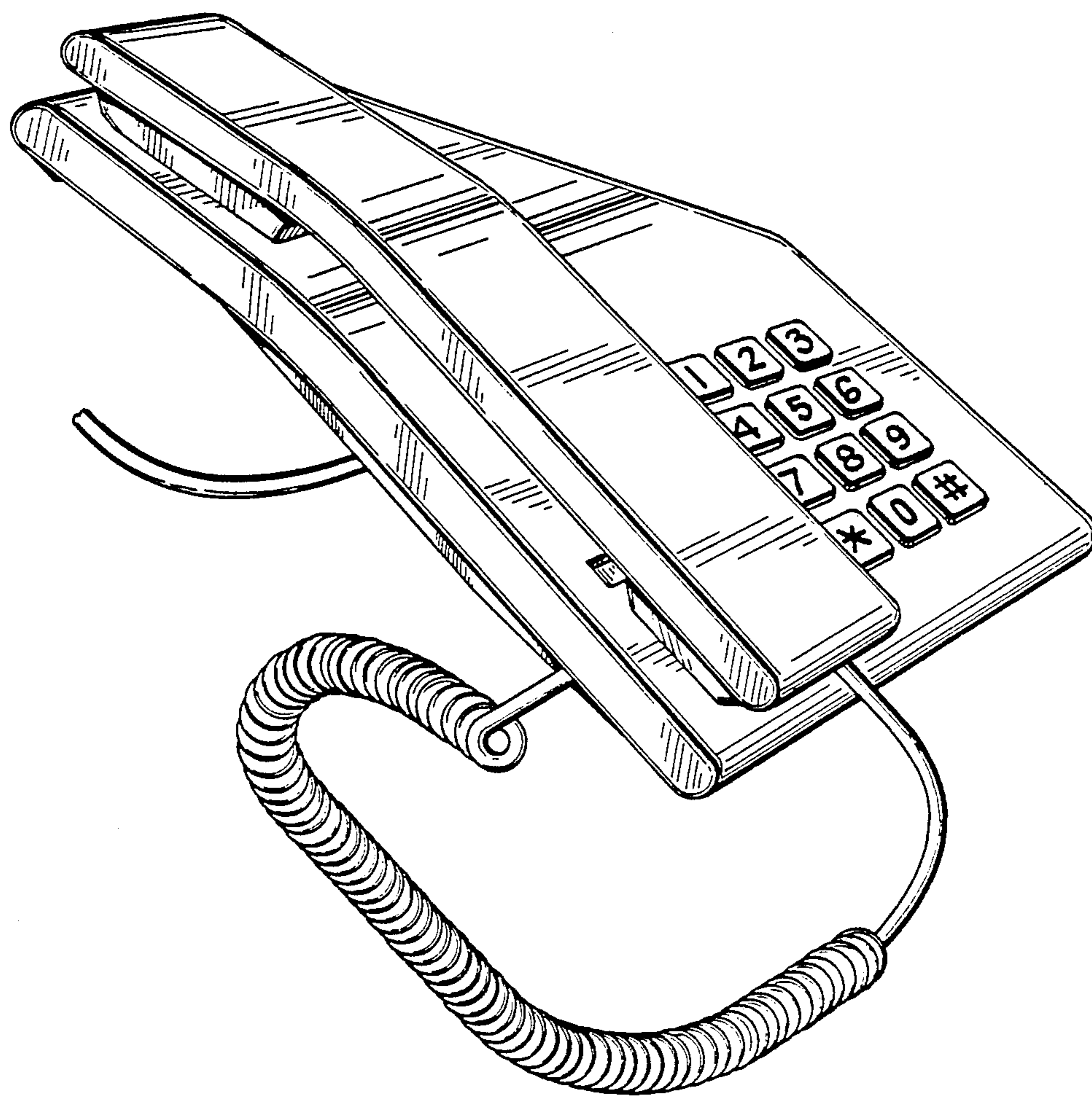


FIG. 1

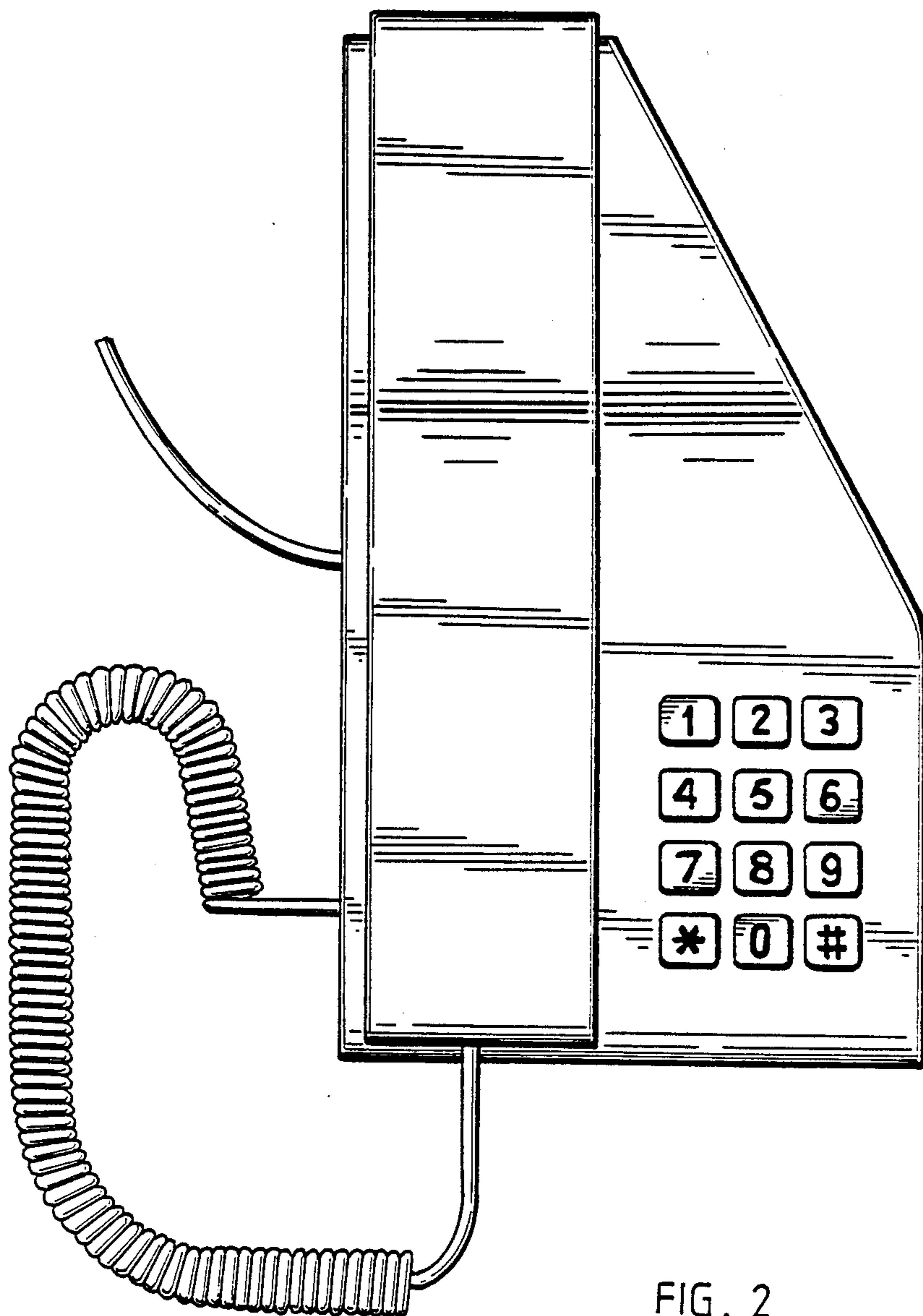


FIG. 2

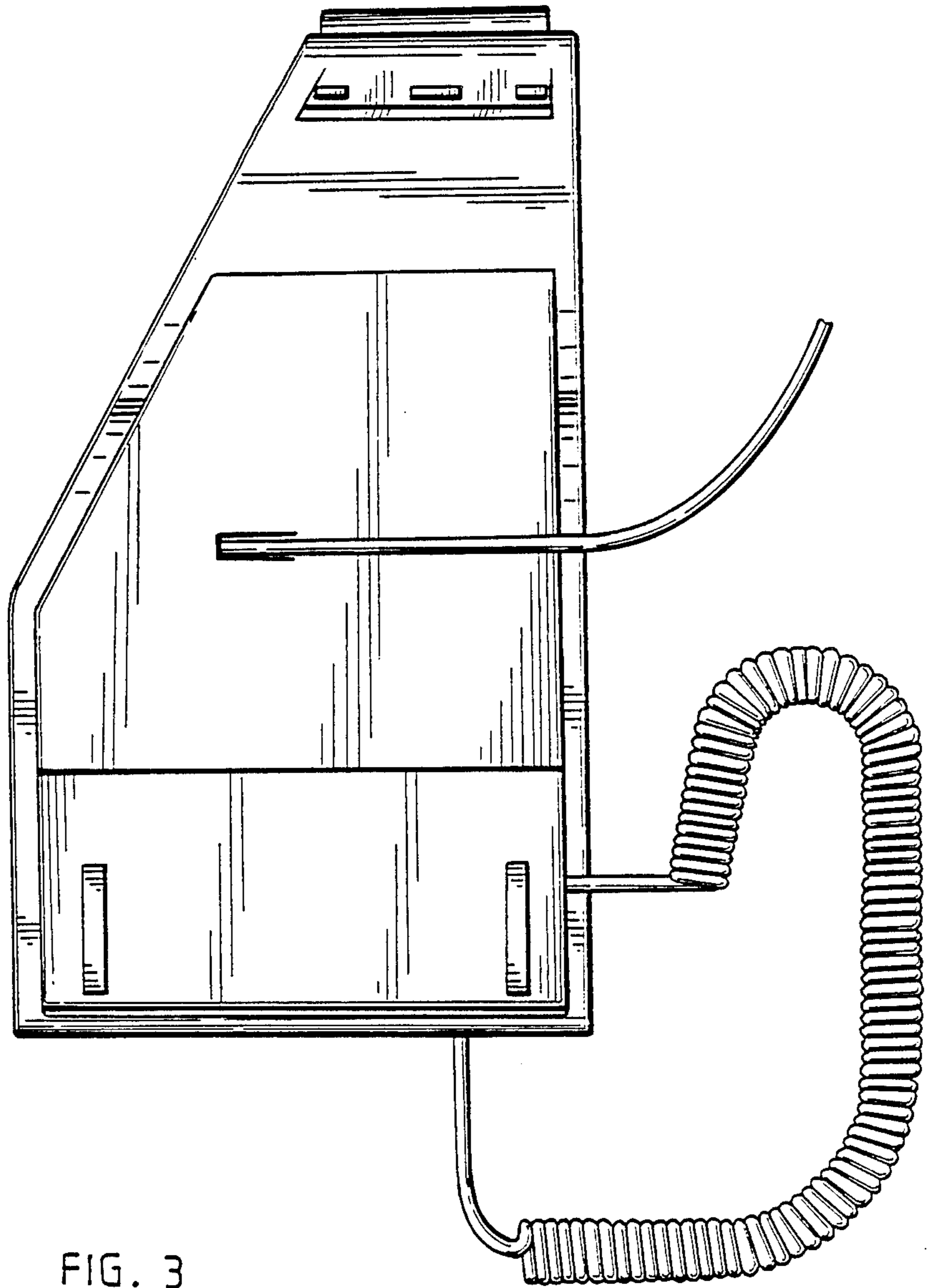


FIG. 3

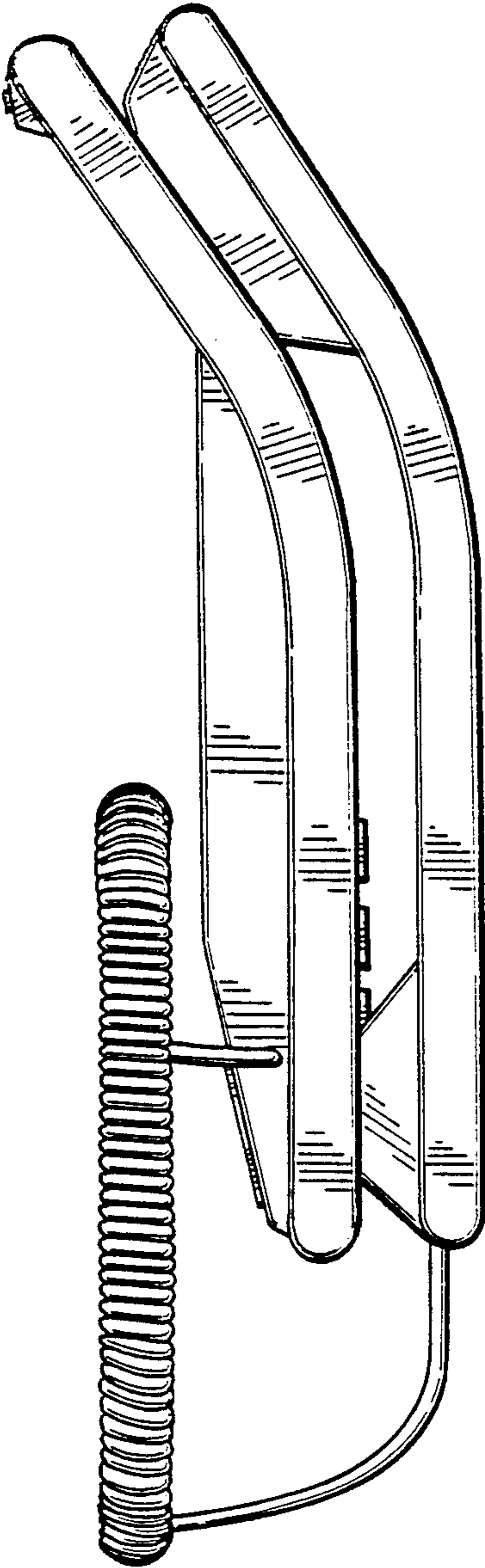


FIG. 4

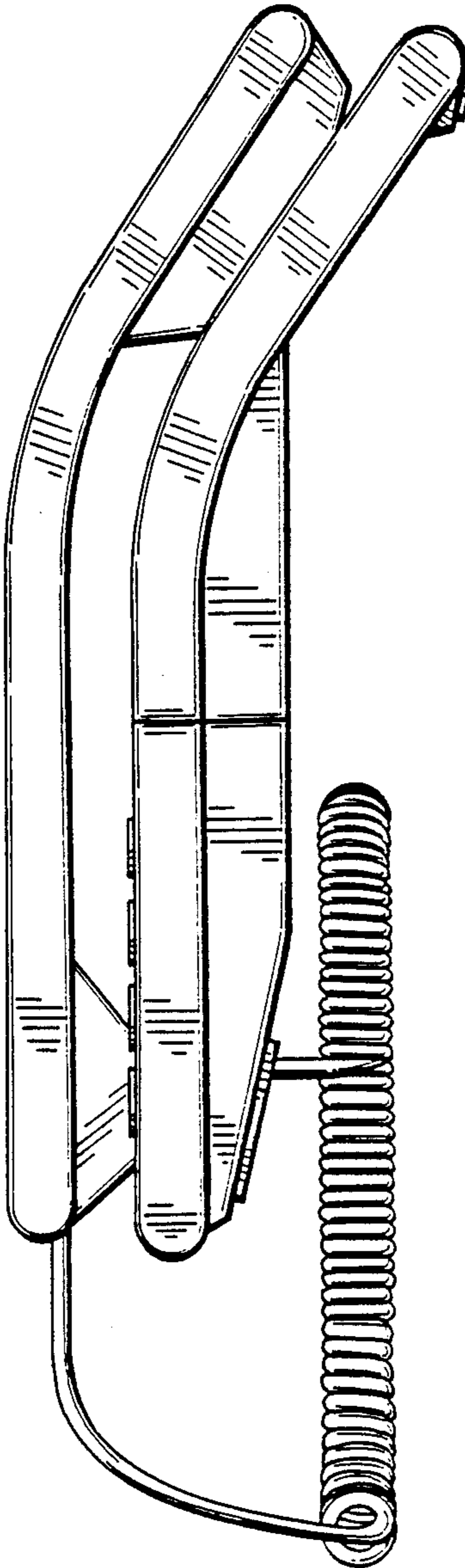


FIG. 5

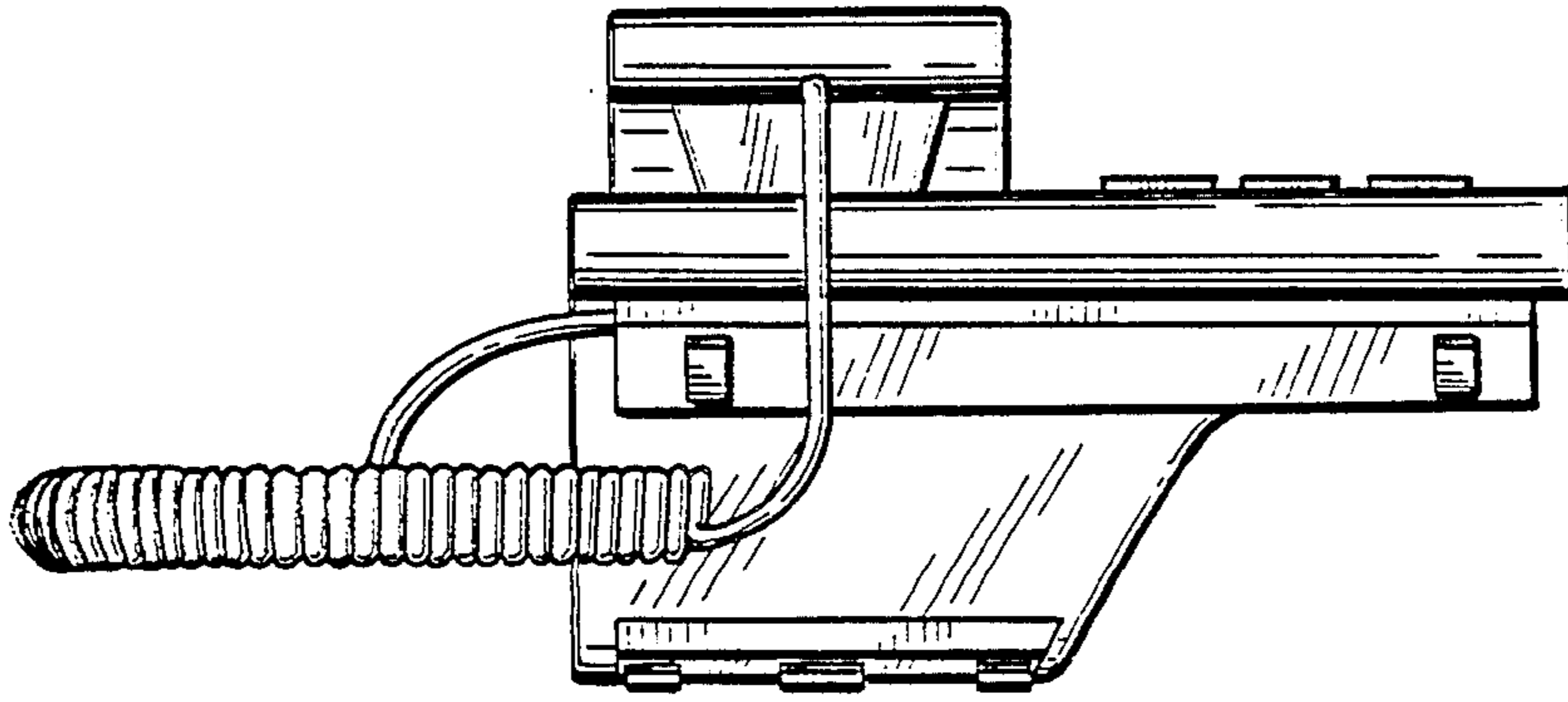


FIG. 6

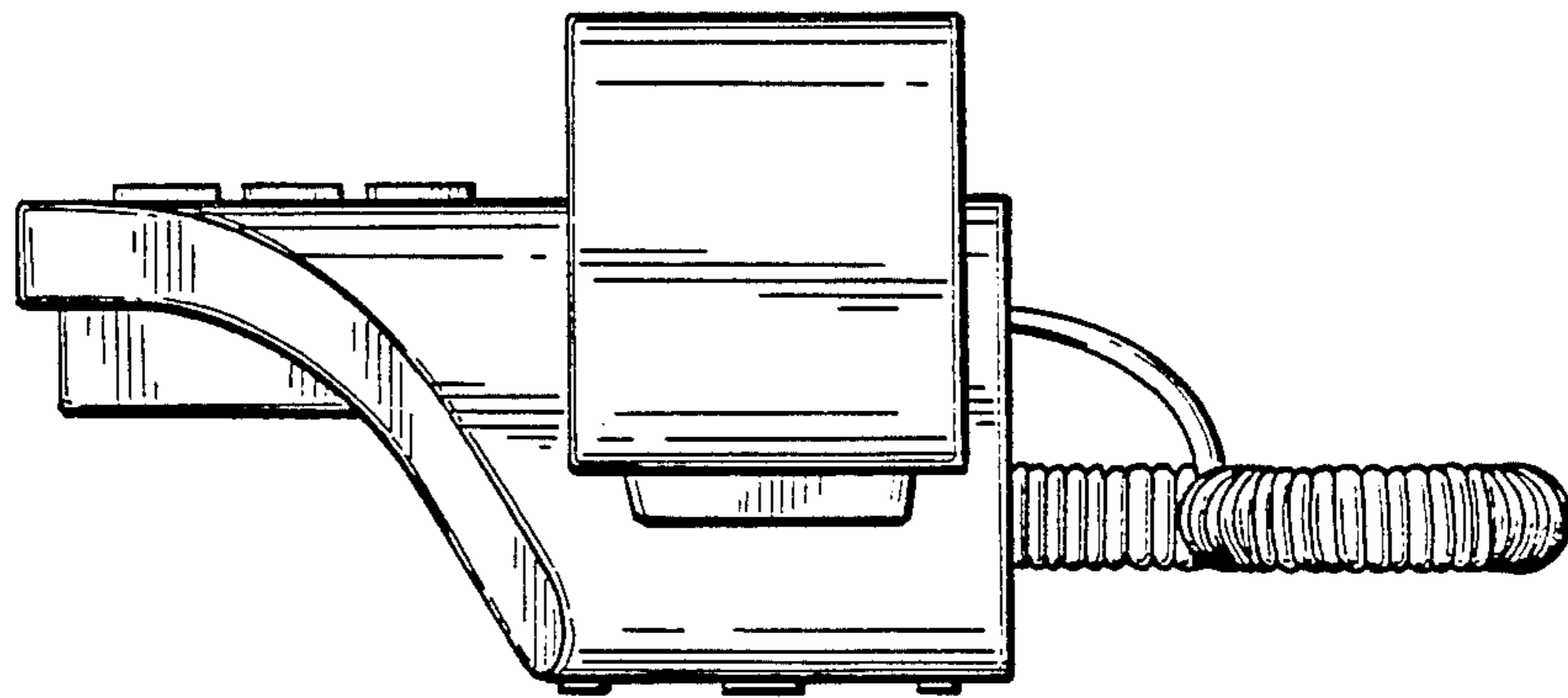


FIG. 7