

[54] DRAFT OPERATED GENERATOR

4,333,018 6/1982 Bottrell ..... 290/55

[76] Inventors: James A. White; Charles W. Largent, both of 1459 Standiford Ave. #69, Modesto, Calif. 95350

Primary Examiner—Wallace R. Burke  
Assistant Examiner—Ruth Takemoto  
Attorney, Agent, or Firm—Gilden & Israel

[\*\*] Term: 14 Years

[57] CLAIM

[21] Appl. No.: 711,156

The ornamental design for a draft operated generator, as shown and described.

[22] Filed: Mar. 13, 1985

[52] U.S. Cl. .... D13/3; D15/1

[58] Field of Search ..... D13/1-3; 416/11, 175, 176, 177, 178, 189, 190-192, DIG. 4; 307/150; 290/1 A, 1 B, 44, 45; D15/1

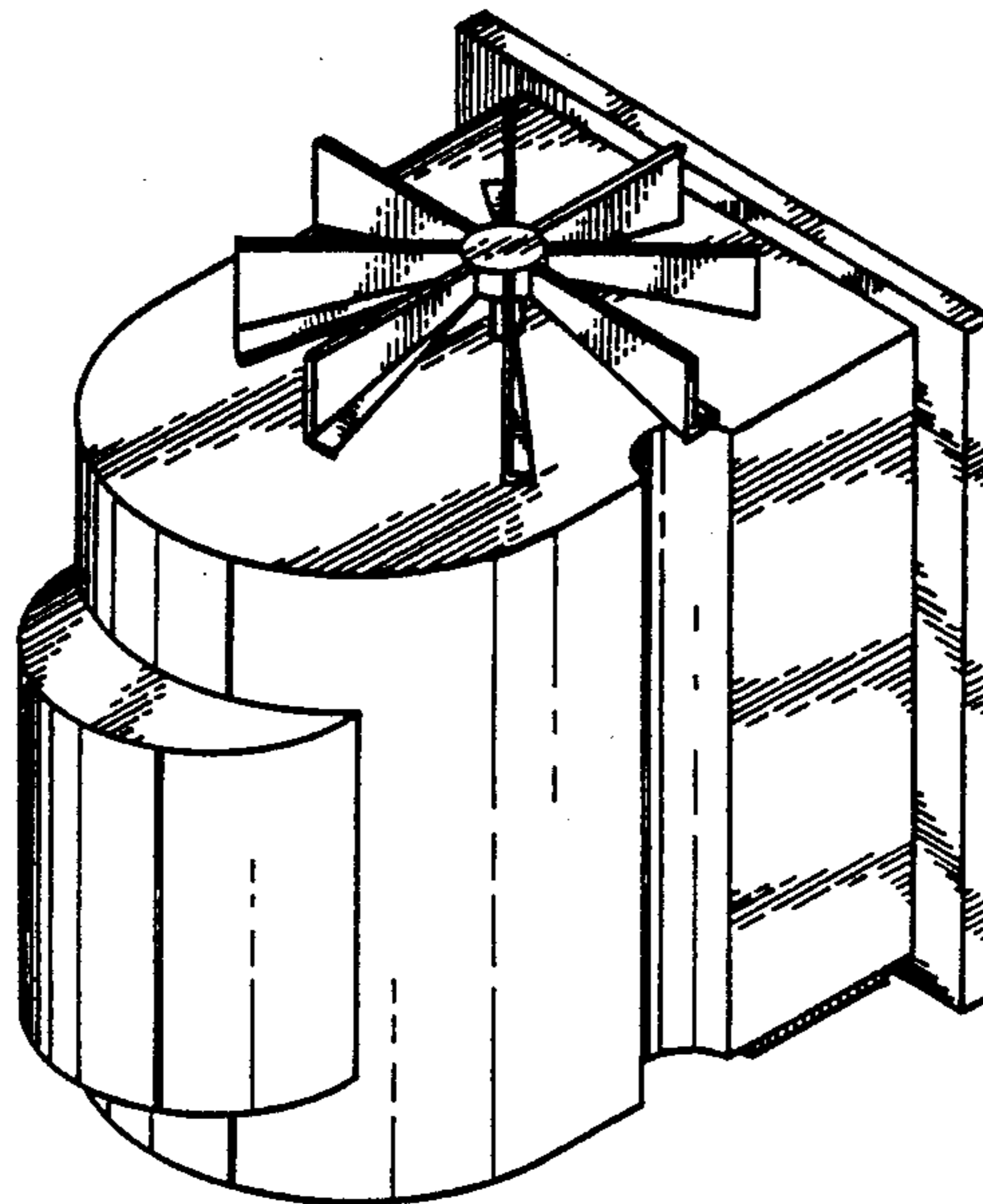
[56] References Cited

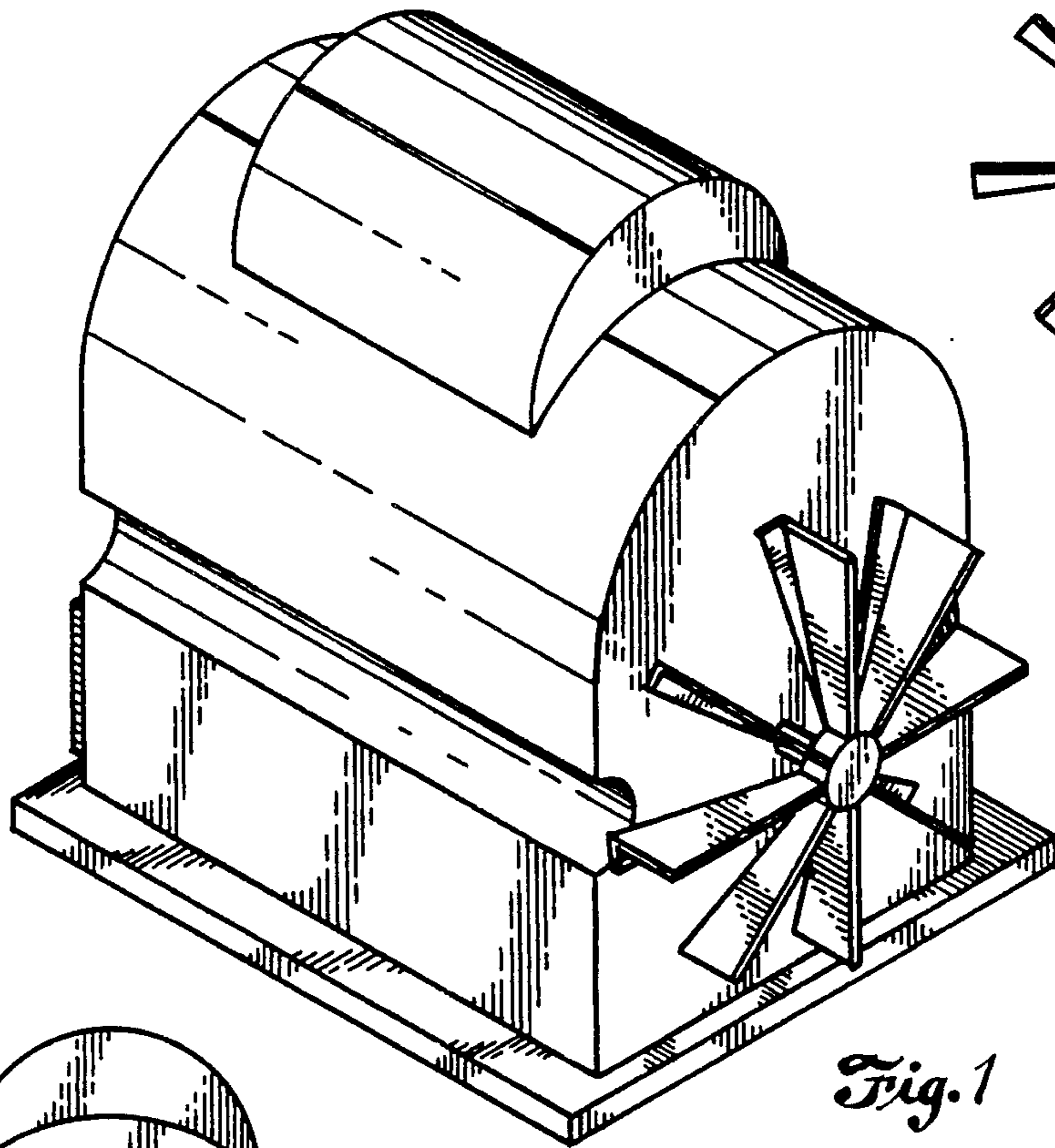
U.S. PATENT DOCUMENTS

- 3,924,966 12/1975 Taminini ..... 416/177
- 4,080,100 3/1978 McNeese ..... 416/189 A
- 4,087,927 5/1978 Basmajian ..... 290/55
- 4,239,977 12/1980 Strutman ..... 290/55

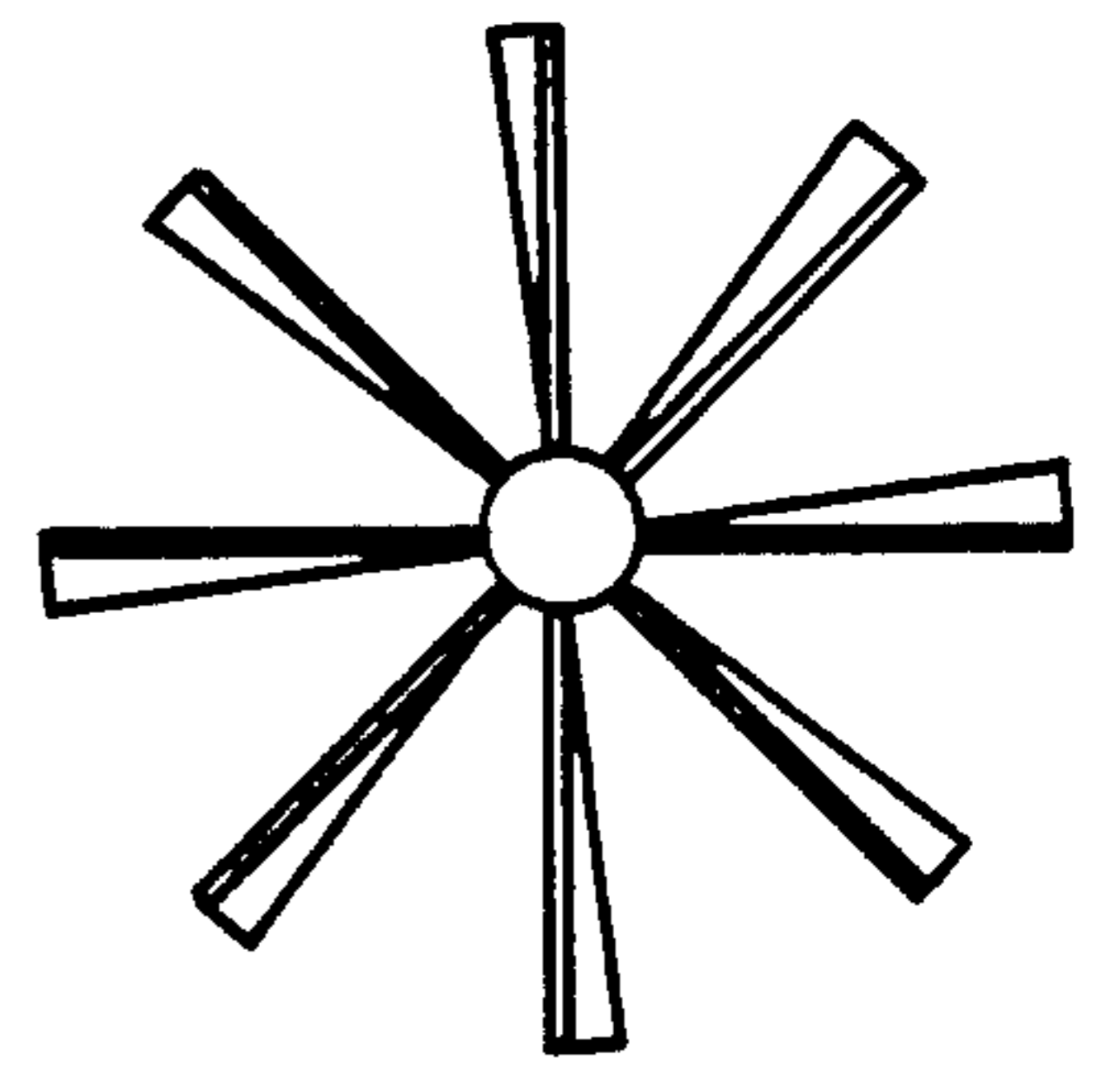
DESCRIPTION

FIG. 1 is an enlarged top, front and side perspective view of a draft operated generator showing our new design;  
 FIG. 2 is a rear elevational view thereof;  
 FIG. 3 is a right side elevational view thereof, the left side being a mirror image;  
 FIG. 4 is a bottom plan view thereof; and  
 FIG. 5 is a front elevational view of the fan element shown separately for clarity and ease of illustration only.

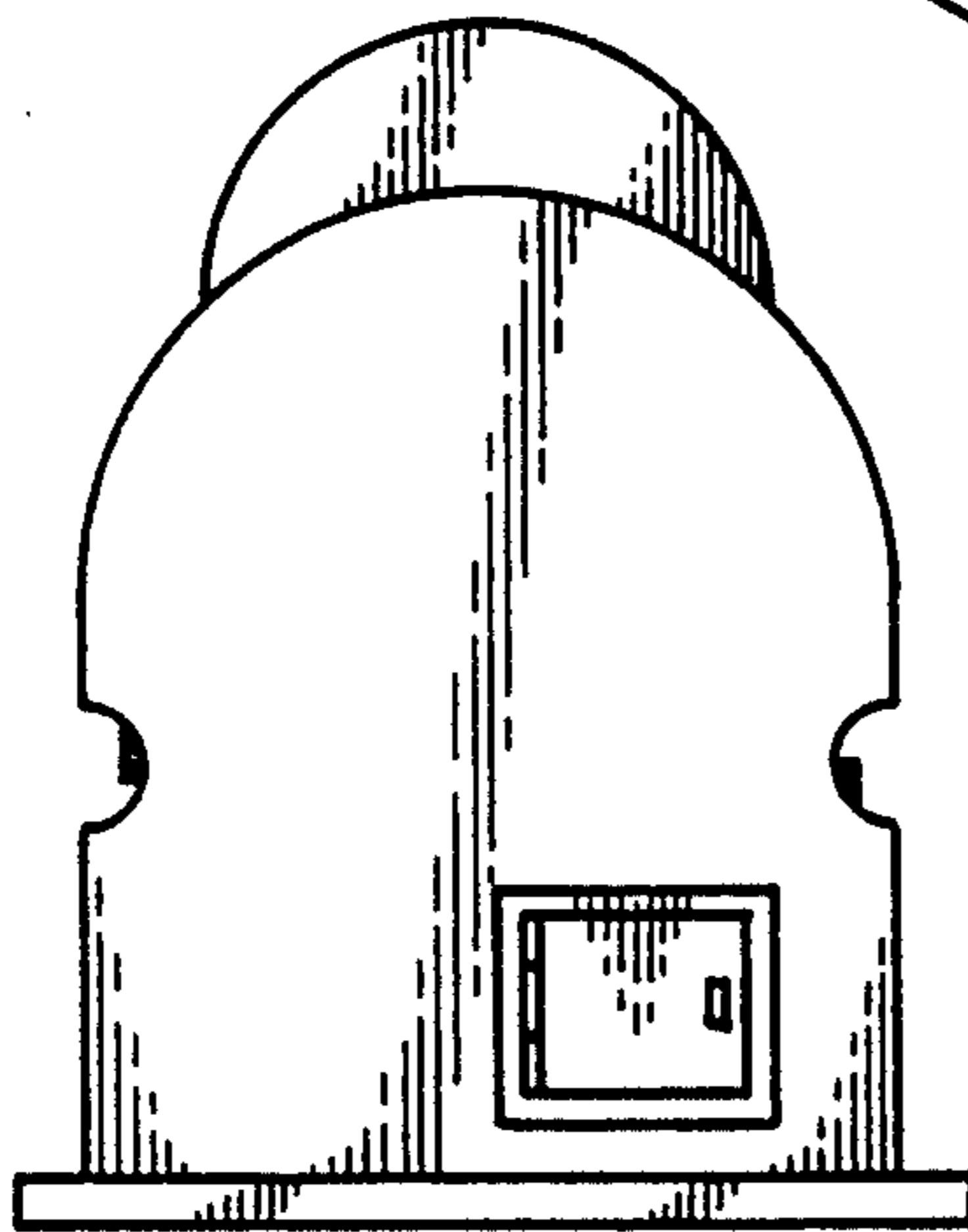




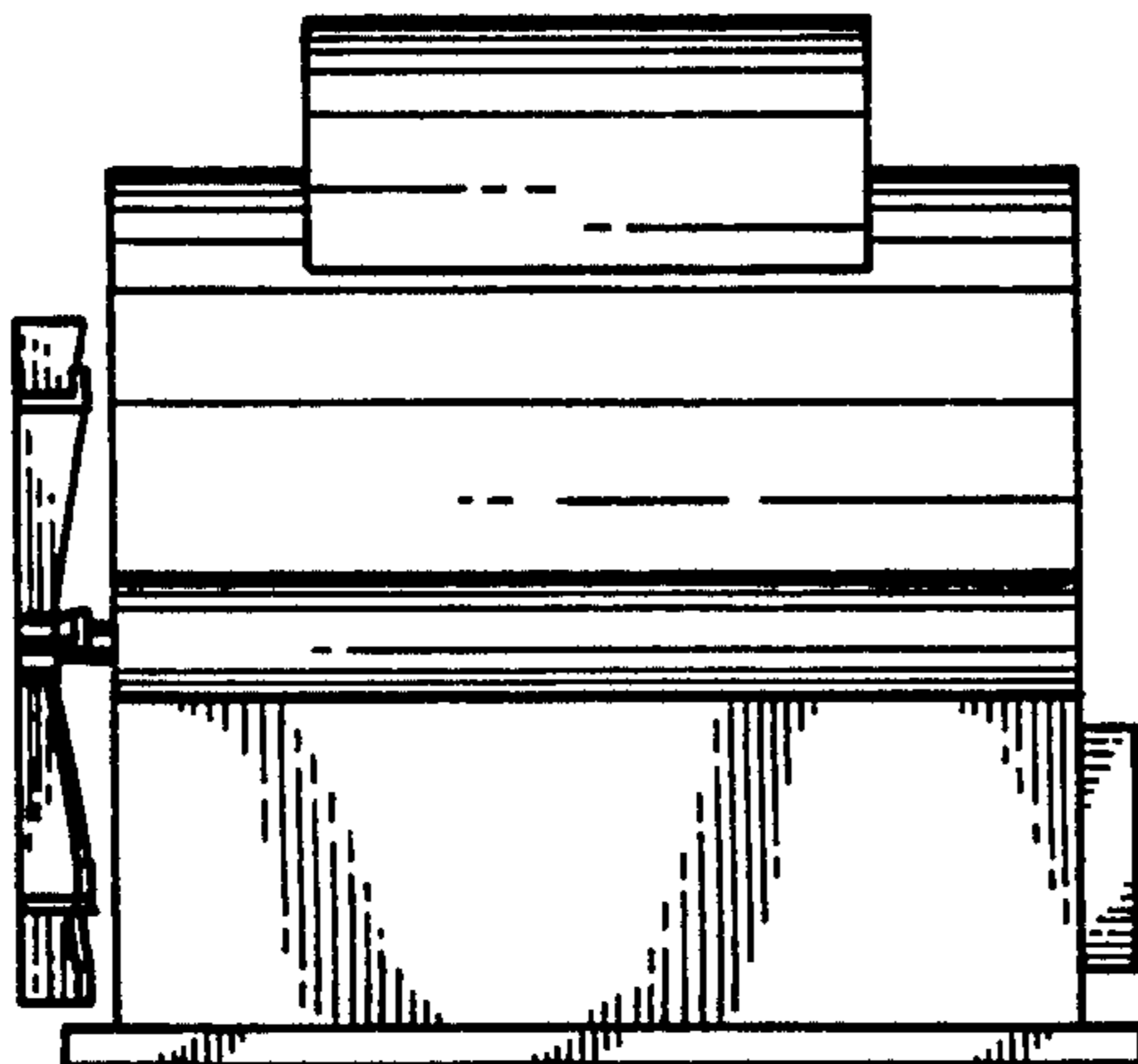
*Fig. 1*



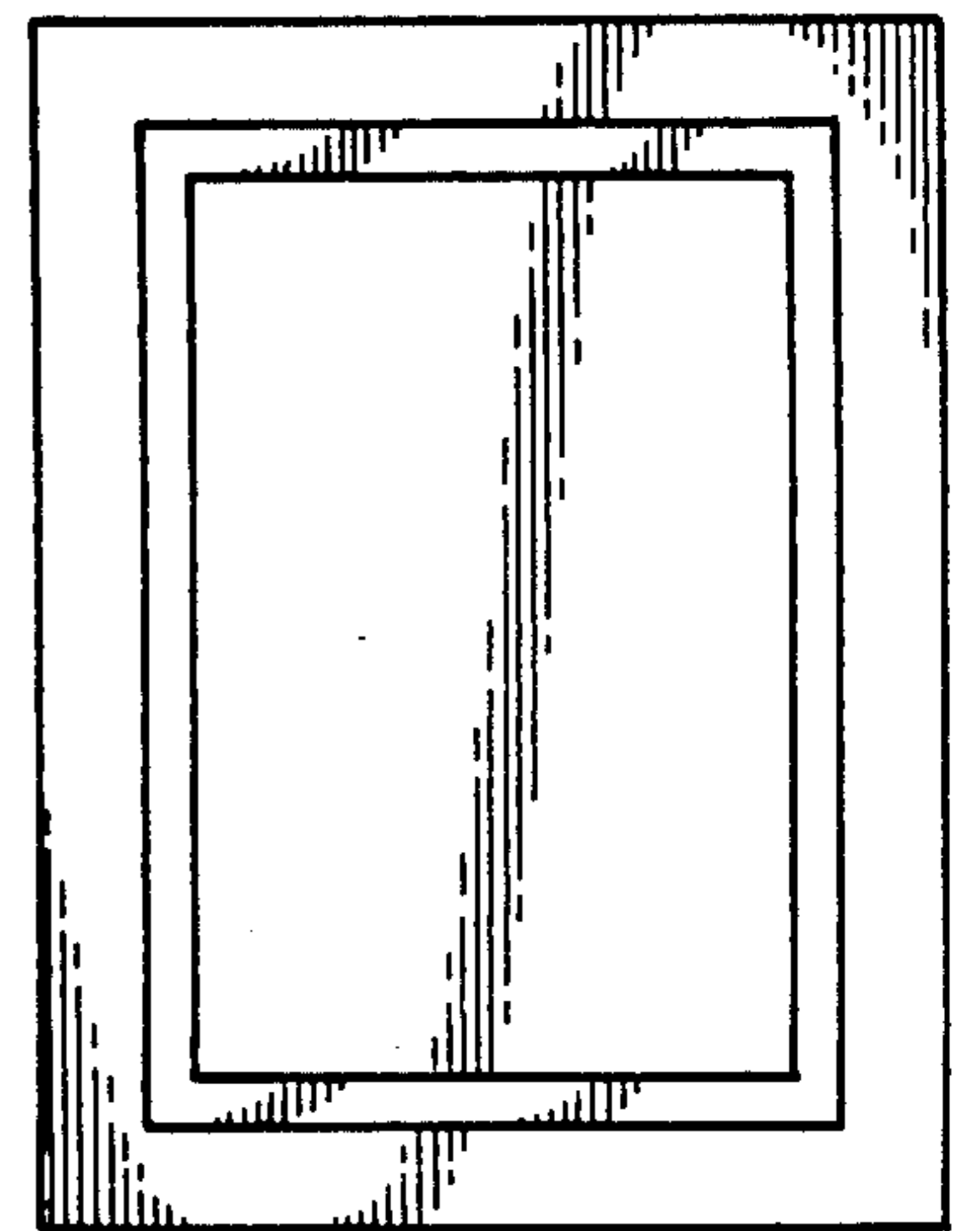
*Fig. 5*



*Fig. 2*



*Fig. 3*



*Fig. 4*