

[54] **STEERING COLUMN MOUNTED CONTROL STALK**  
[75] **Inventor: Wendell C. Lane, Jr., Laurinburg, N.C.**  
[73] **Assignee: Dana Corporation, Toledo, Ohio**  
[\*\*] **Term: 14 Years**  
[21] **Appl. No.: 771,193**  
[22] **Filed: Aug. 30, 1985**  
[52] **U.S. Cl. .... D12/174**  
[58] **Field of Search .... D12/174, 177; 200/61.54, 61.27**

4,219,706 8/1980 Koch et al. .... 200/4  
4,219,709 8/1980 Scarbro ..... 200/61.54  
4,321,437 3/1982 Cryer ..... 200/61.54  
4,328,431 5/1982 Usami ..... 200/61.54  
4,376,237 3/1983 Long ..... 200/61.27  
4,387,279 6/1983 Brevick ..... 200/61.54  
4,400,598 8/1983 Jandl et al. .... 200/61.54  
4,408,104 10/1983 Iwata et al. .... 200/61.54  
4,513,632 4/1985 Swoveland ..... 200/61.54

*Primary Examiner*—James M. Gandy  
*Attorney, Agent, or Firm*—MacMillan, Sobanski & Todd

[57] **CLAIM**

The ornamental design for a steering column mounted control stalk, as shown.

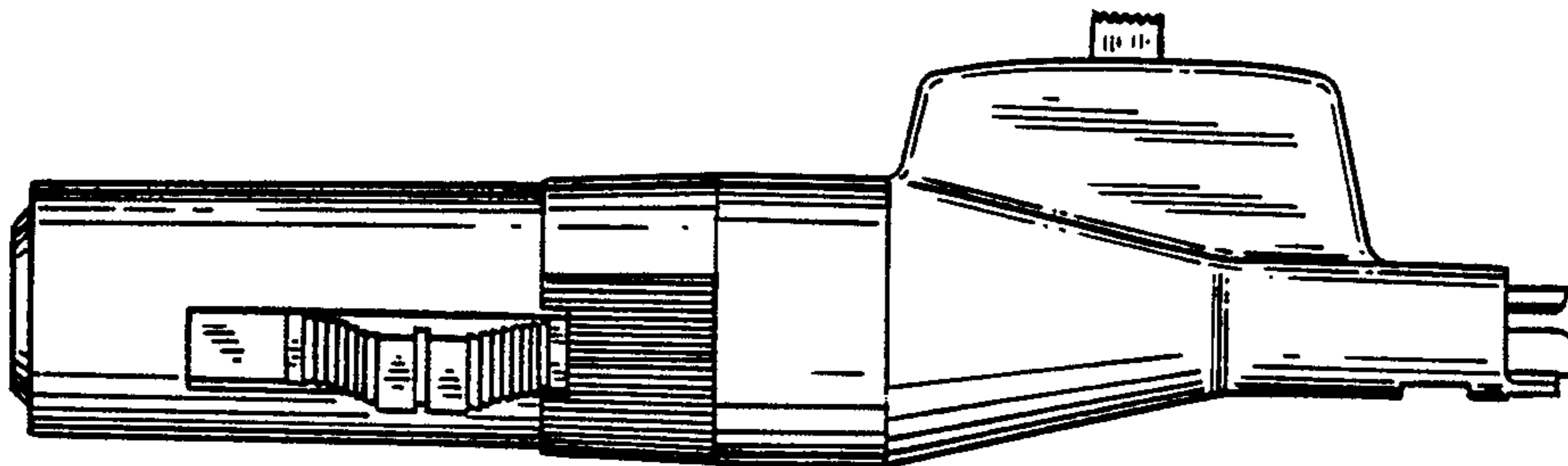
**DESCRIPTION**

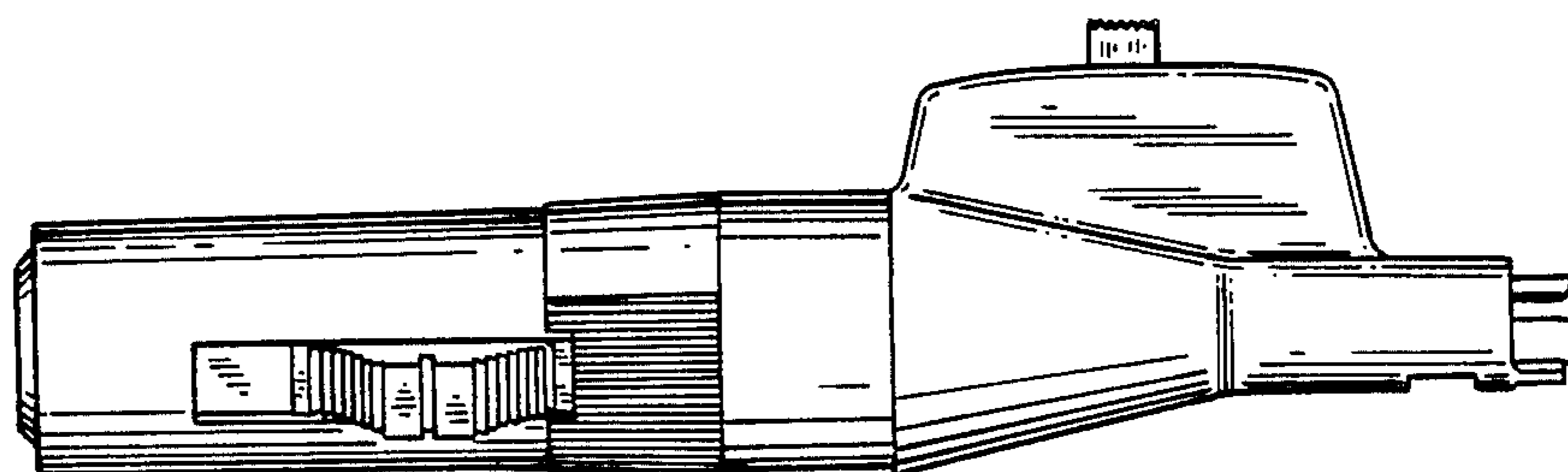
FIG. 1 is a front side elevational view of a steering column mounted control stalk embodying my design; FIG. 2 is a top plan view thereof; FIG. 3 is a right end elevational view thereof; FIG. 4 is a rear side elevational view thereof; FIG. 5 is a bottom plan view thereof; and FIG. 6 is a left end elevational view thereof.

[56] **References Cited**

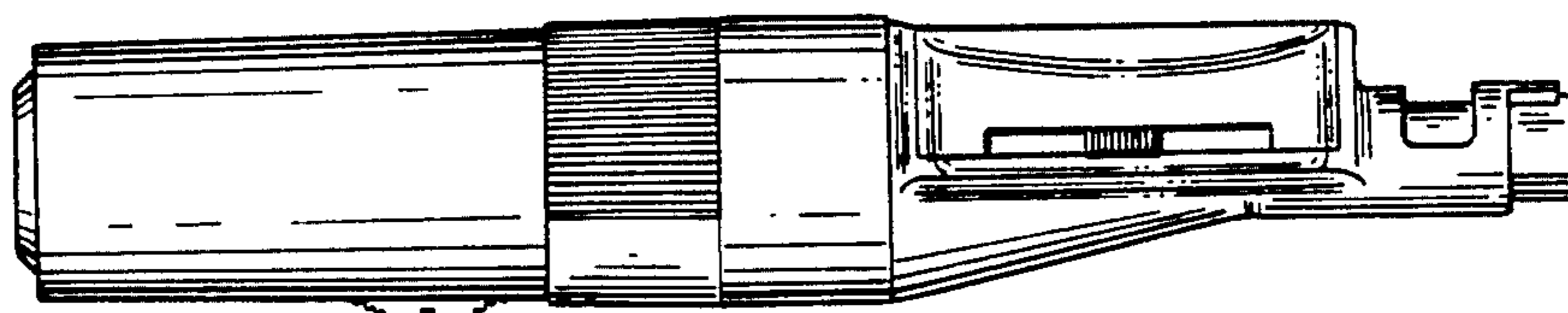
**U.S. PATENT DOCUMENTS**

D. 256,575 8/1980 Moore ..... D12/177  
3,499,125 3/1970 Stoi ..... 200/4  
3,511,943 5/1970 Kibler ..... 200/4  
3,761,662 9/1973 Charles ..... 200/153 D  
3,934,101 1/1976 Jones ..... 200/5 B  
3,996,433 12/1976 Suzuki et al. .... 200/61.27

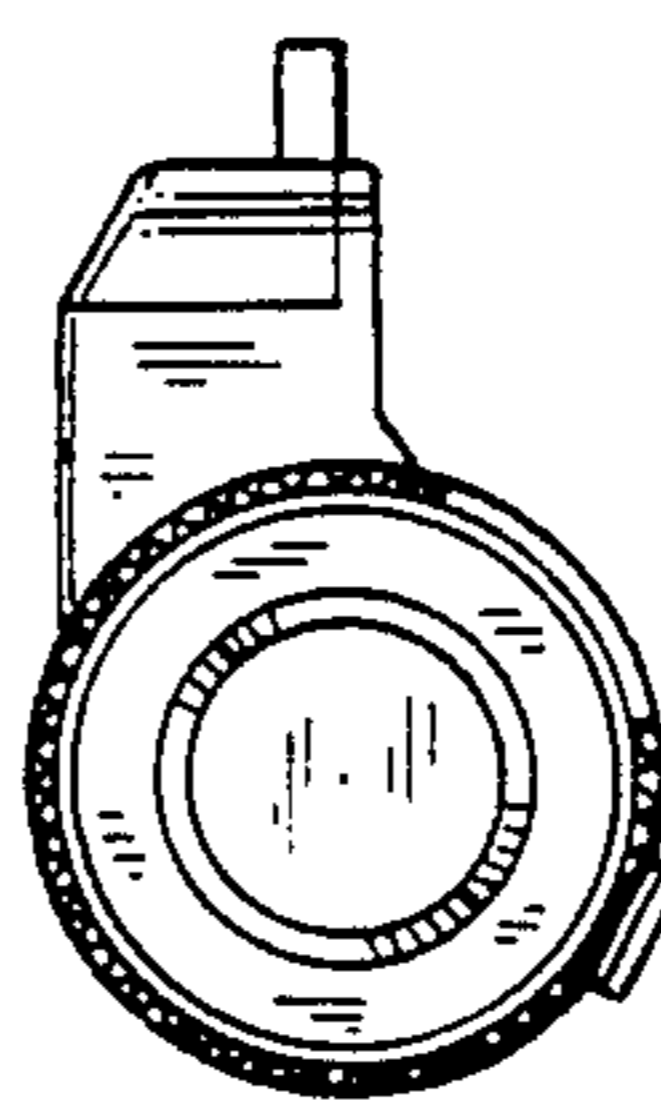




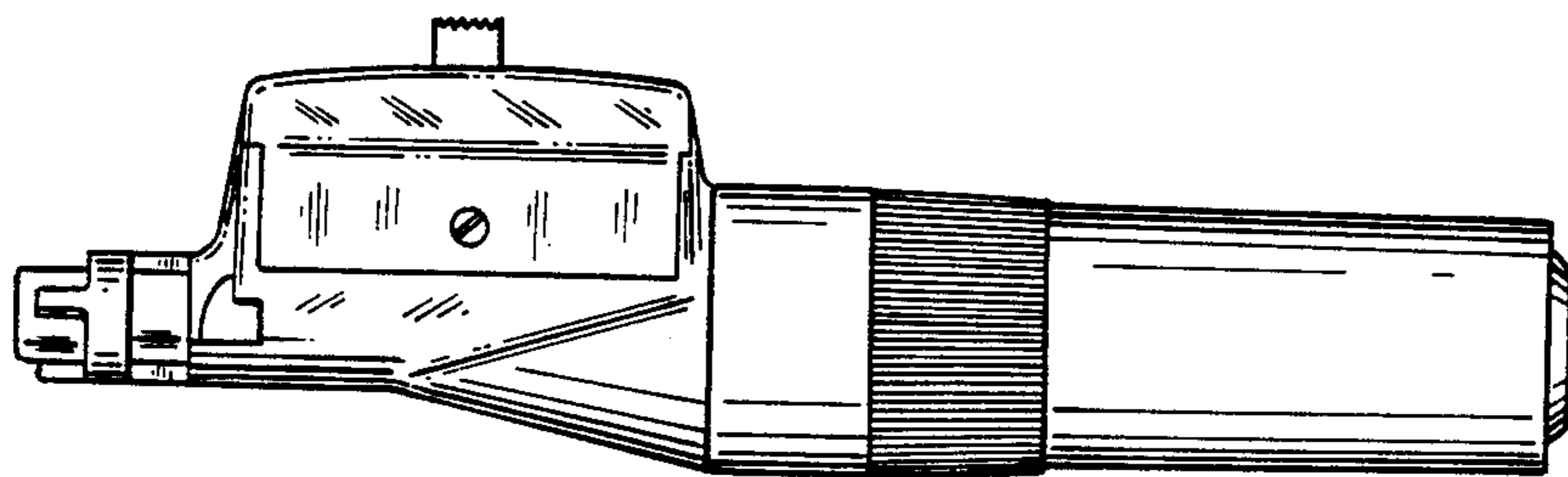
—FIG. 1



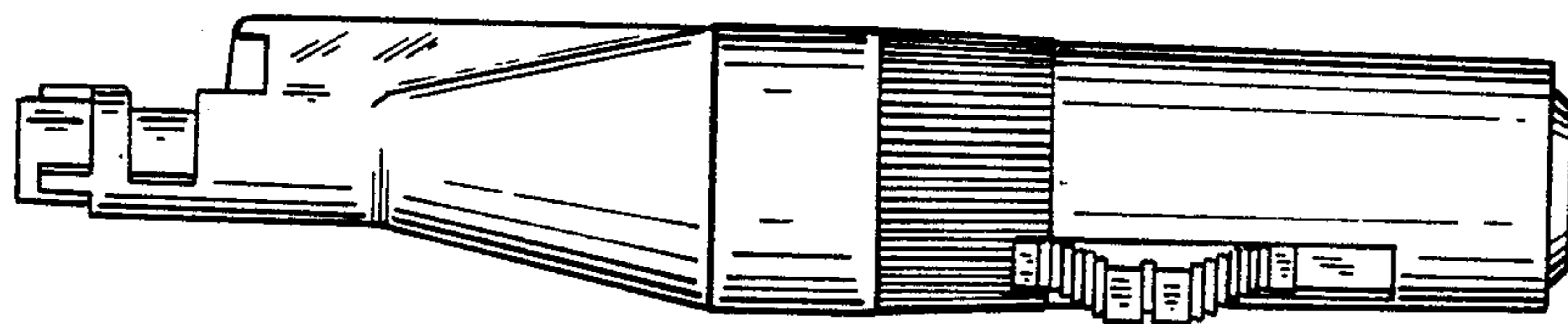
—FIG. 2



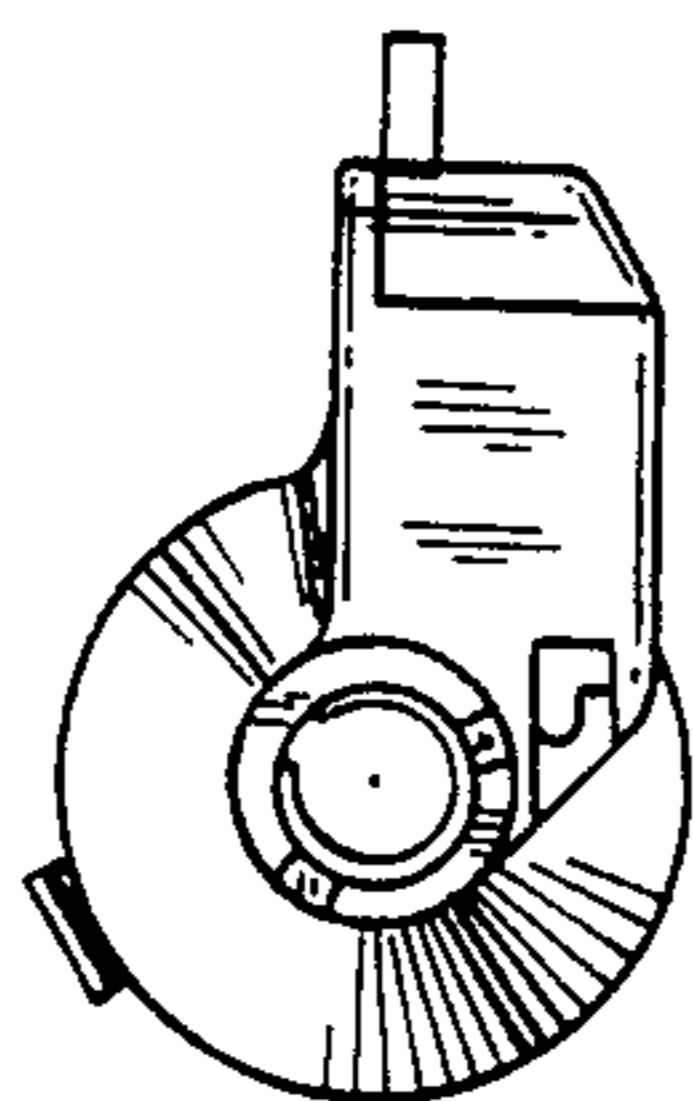
—FIG. 3



—FIG. 4



—FIG. 5



—FIG. 6