

[54] **TIRE**

[75] **Inventor: Michel Lachamp, Clermont-Ferrand, France**

[73] **Assignee: Compagnie Generale des Etablissements Michelin, Clermont-Ferrand, France**

[**] **Term: 14 Years**

[21] **Appl. No.: 834,457**

[22] **Filed: Feb. 20, 1986**

[30] **Foreign Application Priority Data**

Aug. 20, 1985 [FR] France 123

[52] **U.S. Cl. D12/147**

[58] **Field of Search D12/141-143, D12/146-151; 152/209 R, 209 B, 209 D**

[56]

References Cited

PUBLICATIONS

1985 Tread Design Guide, p. 69, Toyo 603 A Tire, bottom center of page.

Modern Tire Dealer, 8/84, p. 33, Continental Tire, left side of page.

Primary Examiner—James M. Gandy
Attorney, Agent, or Firm—Brumbaugh, Graves, Donohue & Raymond

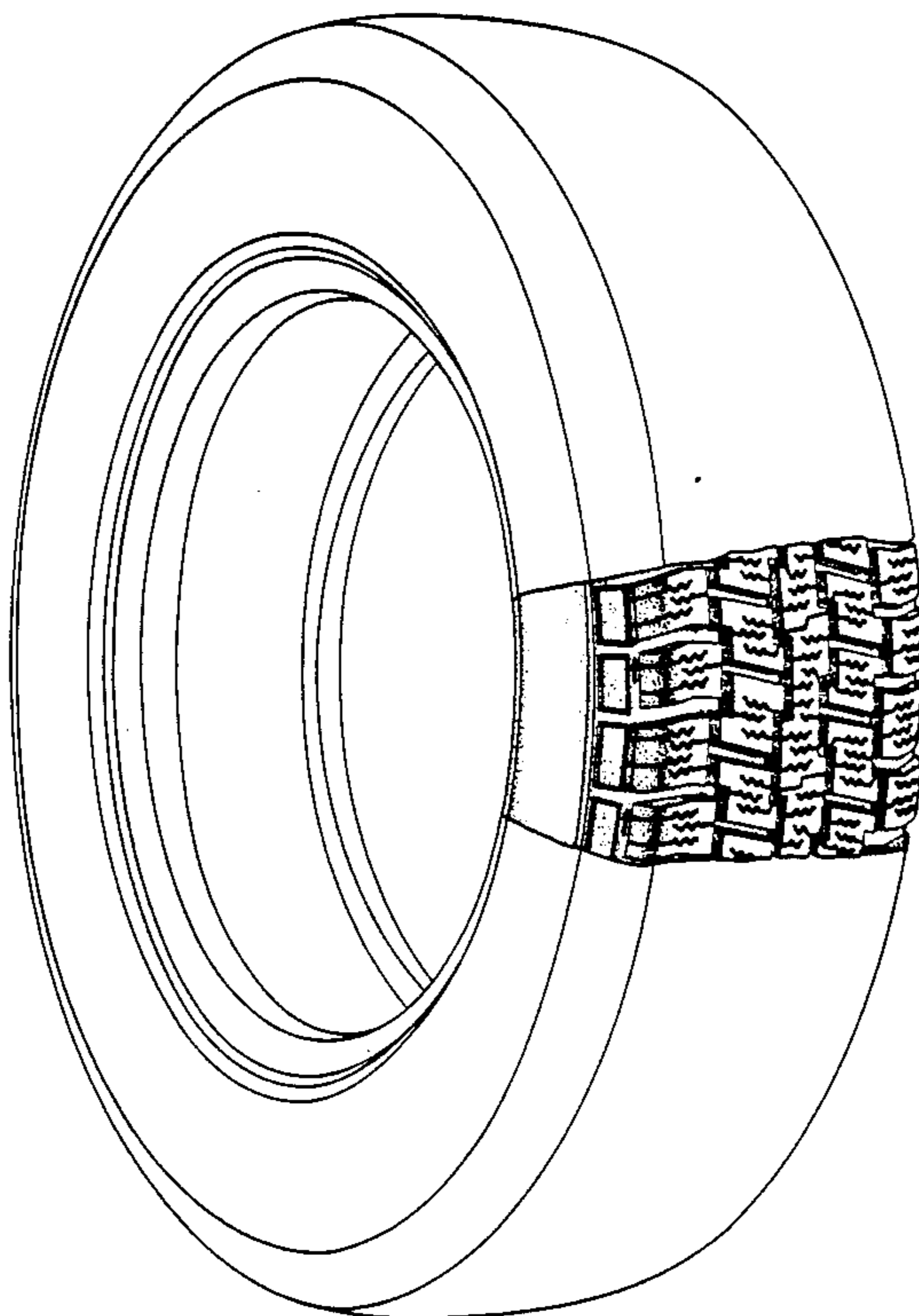
[57]

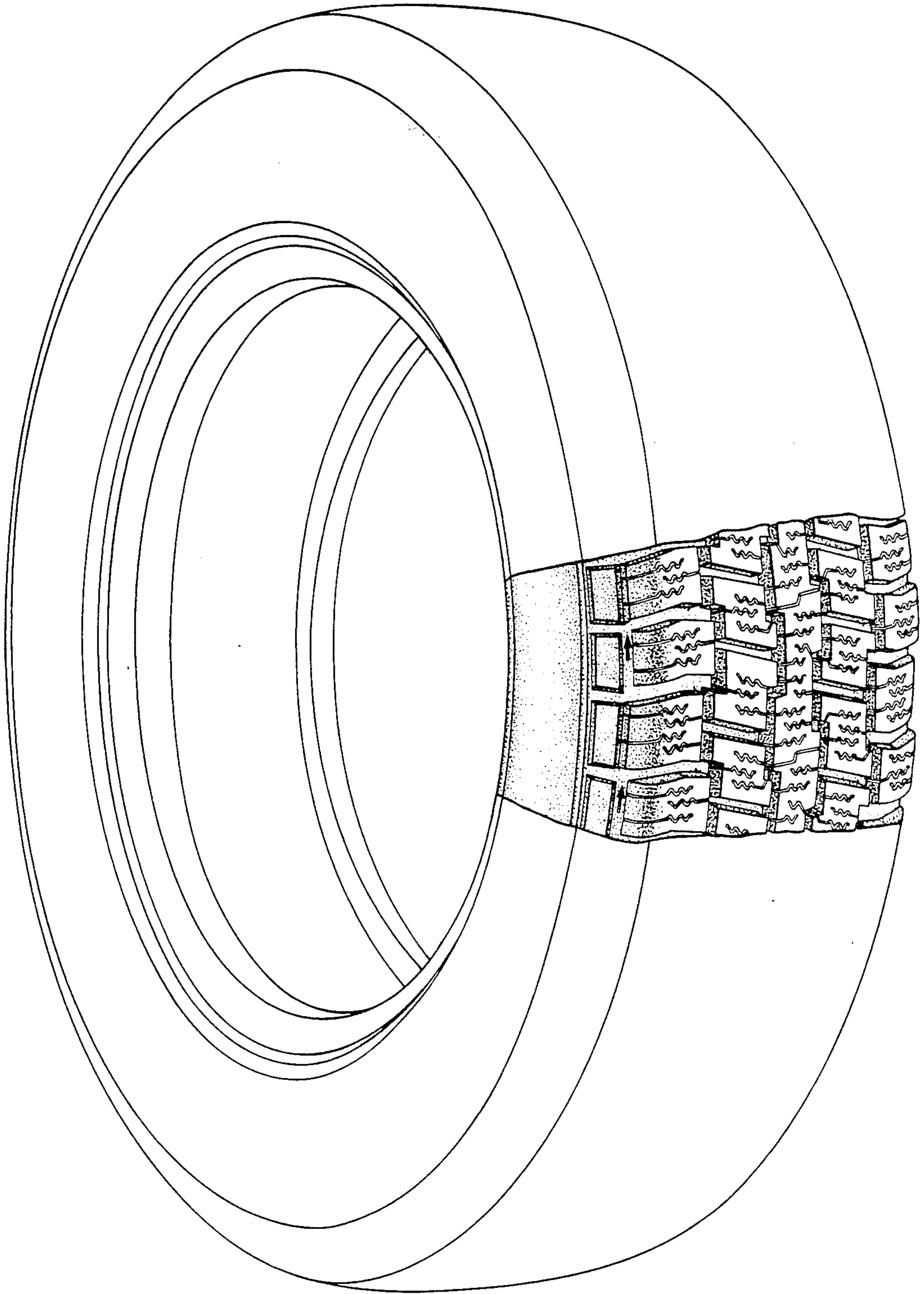
CLAIM

The ornamental design for a tire, as shown and described.

DESCRIPTION

The FIGURE is a perspective view of a tire showing my new design, it being understood that the tread pattern is repeated throughout the circumference of the tire, as shown schematically by solid lines, the opposite side being substantially the same as that shown.





UNITED STATES PATENT AND TRADEMARK OFFICE
CERTIFICATE OF CORRECTION

PATENT NO. : D294,240
DATED : February 16, 1988
INVENTOR(S) : Michel Lachamp

It is certified that error appears in the above-identified patent and that said Letters Patent is hereby corrected as shown below:

On the Title Page, Item [56] References Cited, under "PUBLICATIONS", the following publications should be added:

- TREAD DESIGN GUIDE of 1986, BARUM Or21 Steel Radial, p. 15.
- TREAD DESIGN GUIDE of 1986, BIG "O", Big Foot R/S 70, p. 16.
- TREAD DESIGN GUIDE OF 1986, CARAVELLE MultiBelt II, p. 19.
- TREAD DESIGN GUIDE OF 1986, GILLETTE Golden Bear, p. 39.
- TREAD DESIGN GUIDE OF 1986, NITTO NT-269, p. 55. --.

**Signed and Sealed this
Thirty-first Day of May, 1988**

Attest:

Attesting Officer

DONALD J. QUIGG

Commissioner of Patents and Trademarks