

[54] **MACHINE FOR PRESSURE TESTING TRUCK TIRES**

4,365,514 12/1982 Ho 73/40.5 A
4,491,013 1/1985 Bubik 73/146

[76] **Inventor: Pericle Bonazzi, Via IV Novembre, Boretto (Reggio Emilia), Italy**

Primary Examiner—B. J. Bullock
Attorney, Agent, or Firm—McGlew and Tuttle

[**] **Term: 14 Years**

[57] **CLAIM**

[21] **Appl. No.: 711,473**

The ornamental design for a machine for pressure testing truck tires, as shown and described.

[22] **Filed: Mar. 13, 1985**

[52] **U.S. Cl. D10/46; D10/86**

[58] **Field of Search D10/46, 86; D15/199; 73/146, 146.2, 40.5 A, 592**

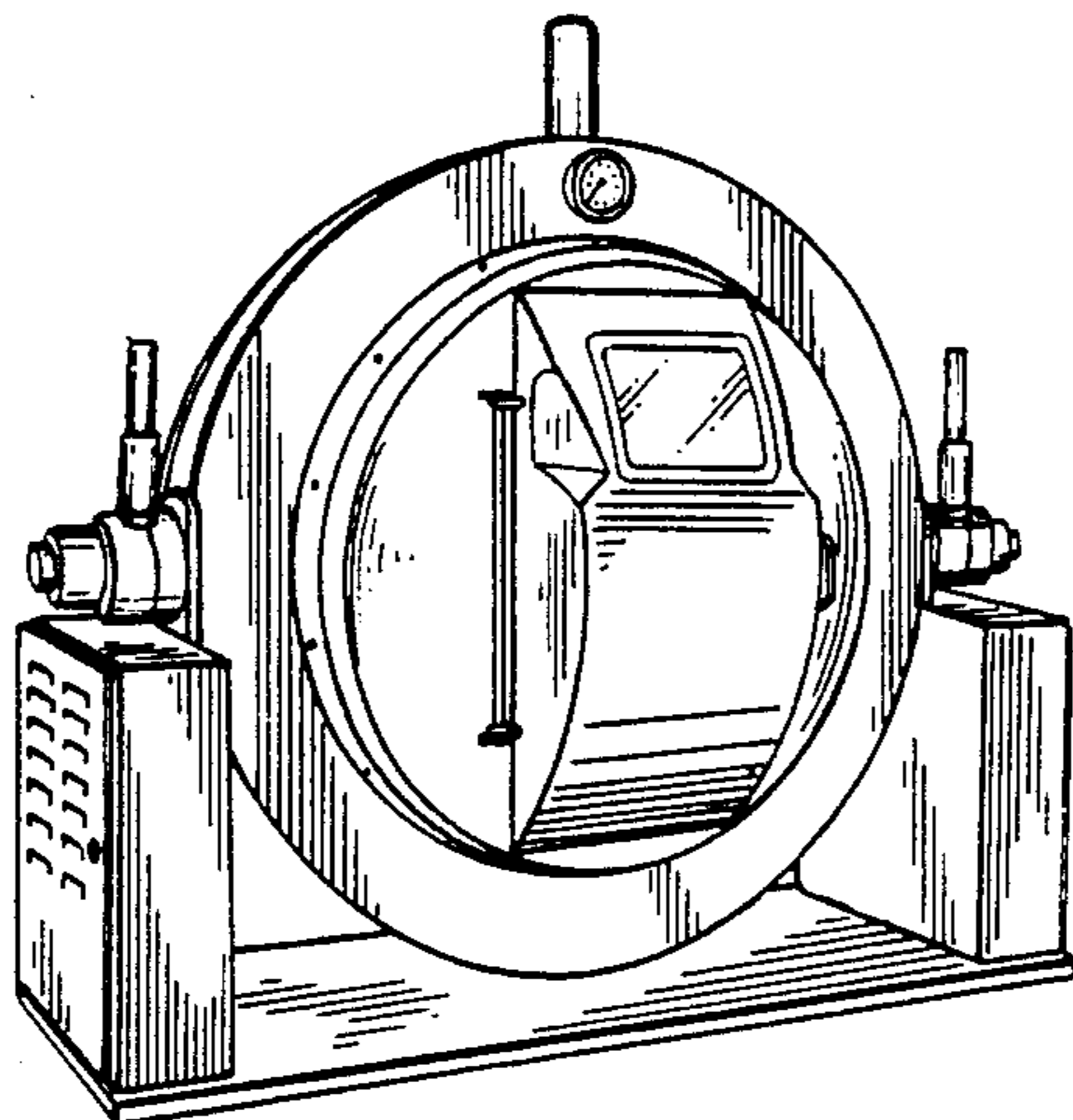
DESCRIPTION

FIG. 1 is a perspective view of a machine for pressure testing truck tires showing my new design;
FIG. 2 is an enlarged front elevational view thereof;
FIG. 3 is an enlarged right side elevational view thereof;
FIG. 4 is an enlarged rear elevational view thereof;
FIG. 5 is an enlarged top plan view thereof, the bottom being flat and unornamented.

[56] **References Cited**

U.S. PATENT DOCUMENTS

D. 277,866 3/1985 Hall D15/199
3,937,076 2/1976 Pommellev et al. 73/146



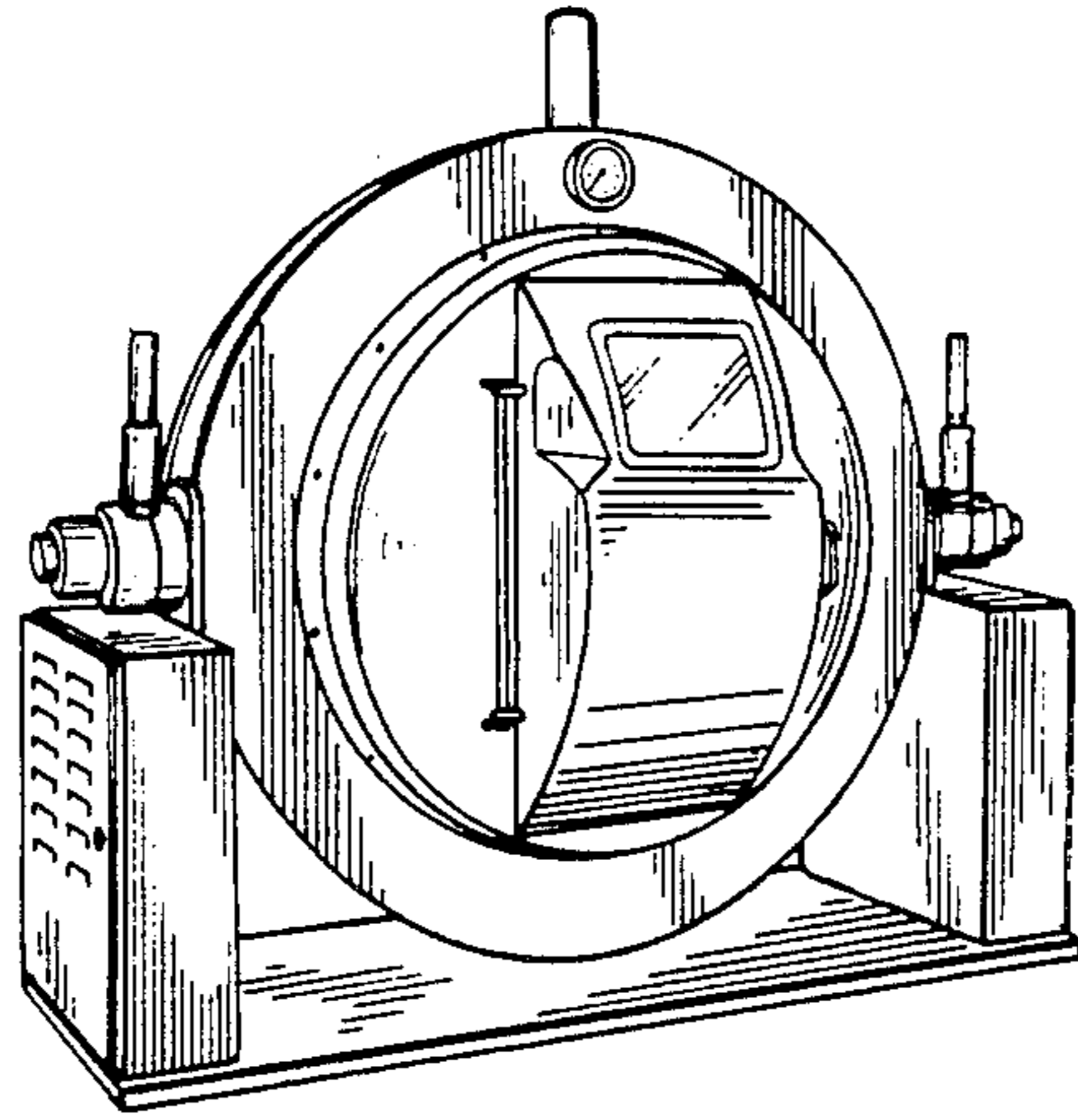


Fig. 1

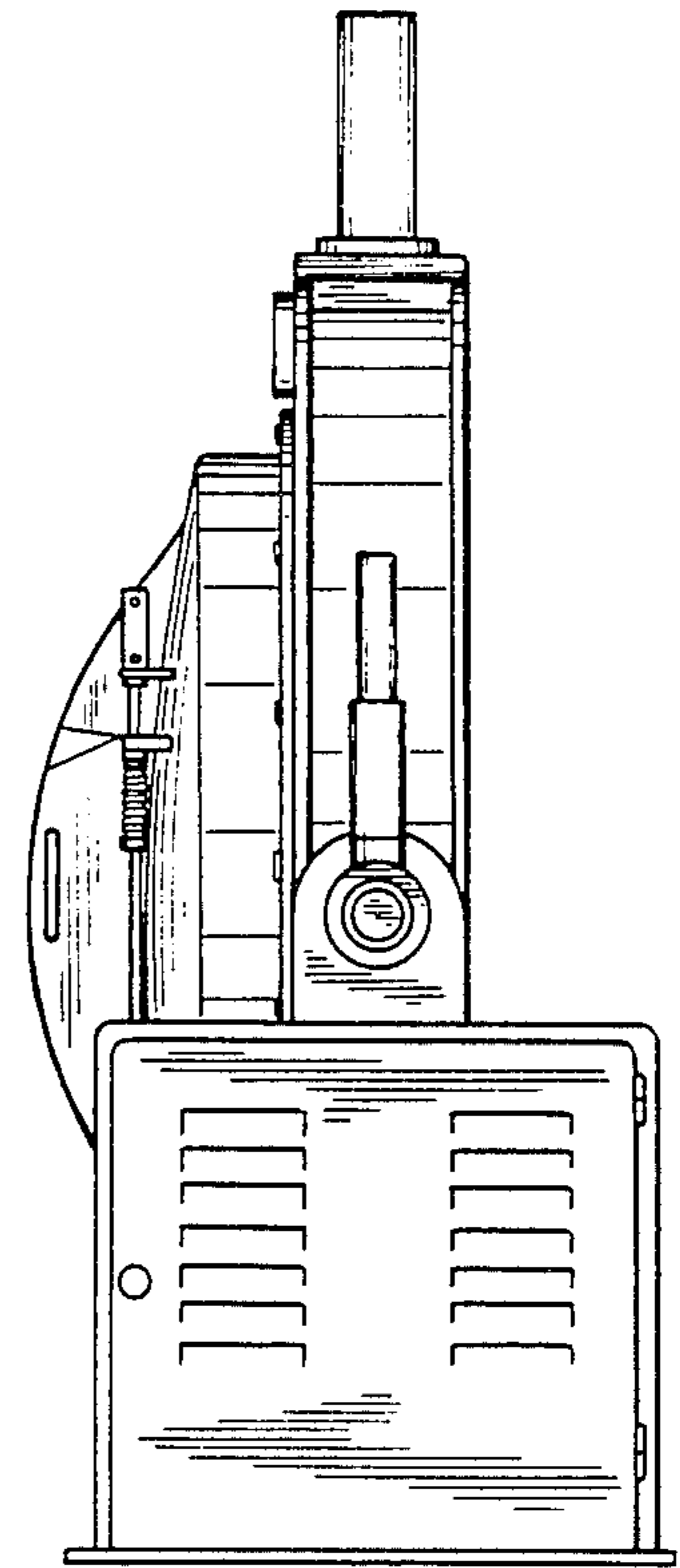


Fig. 3

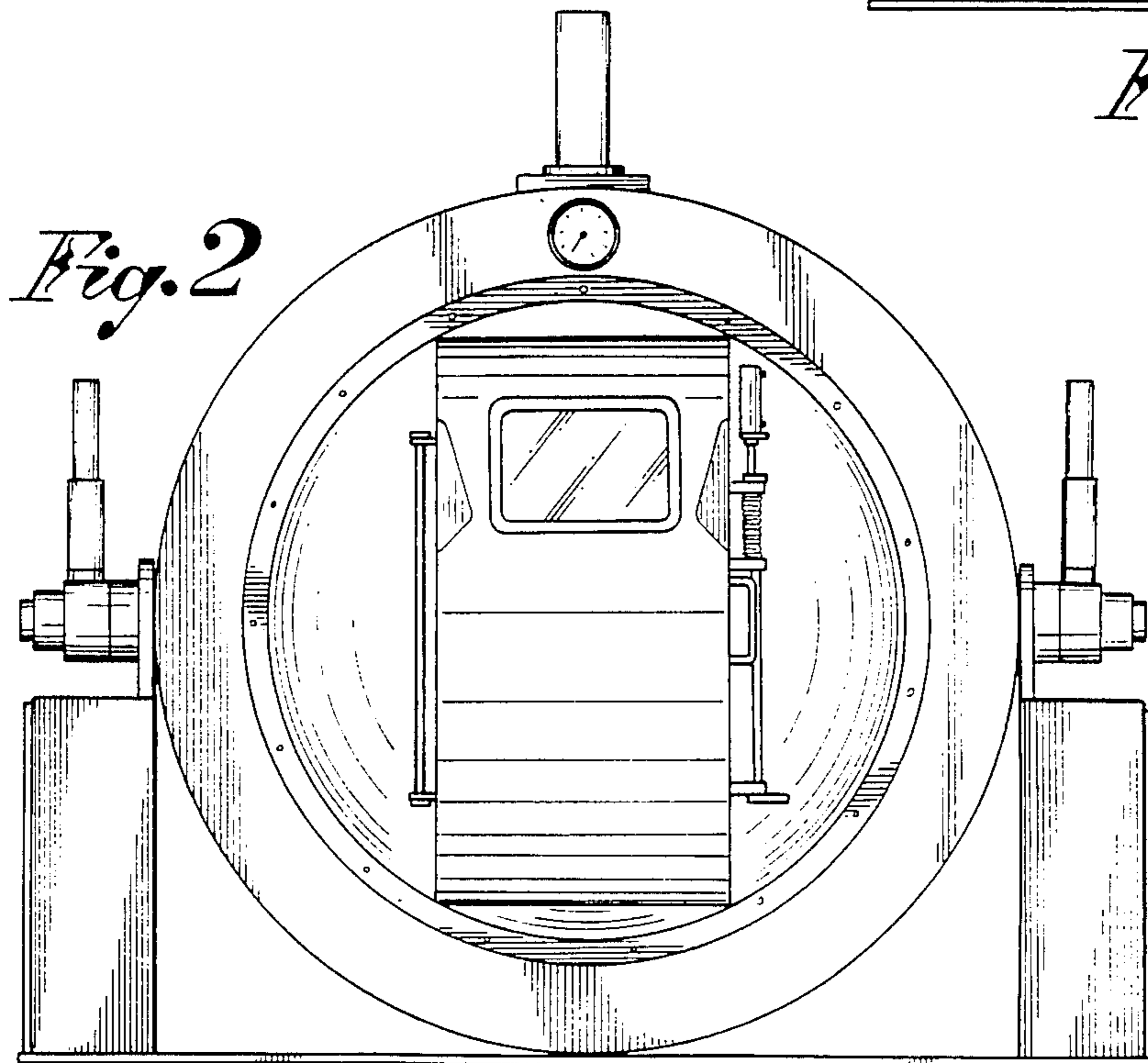


Fig. 2

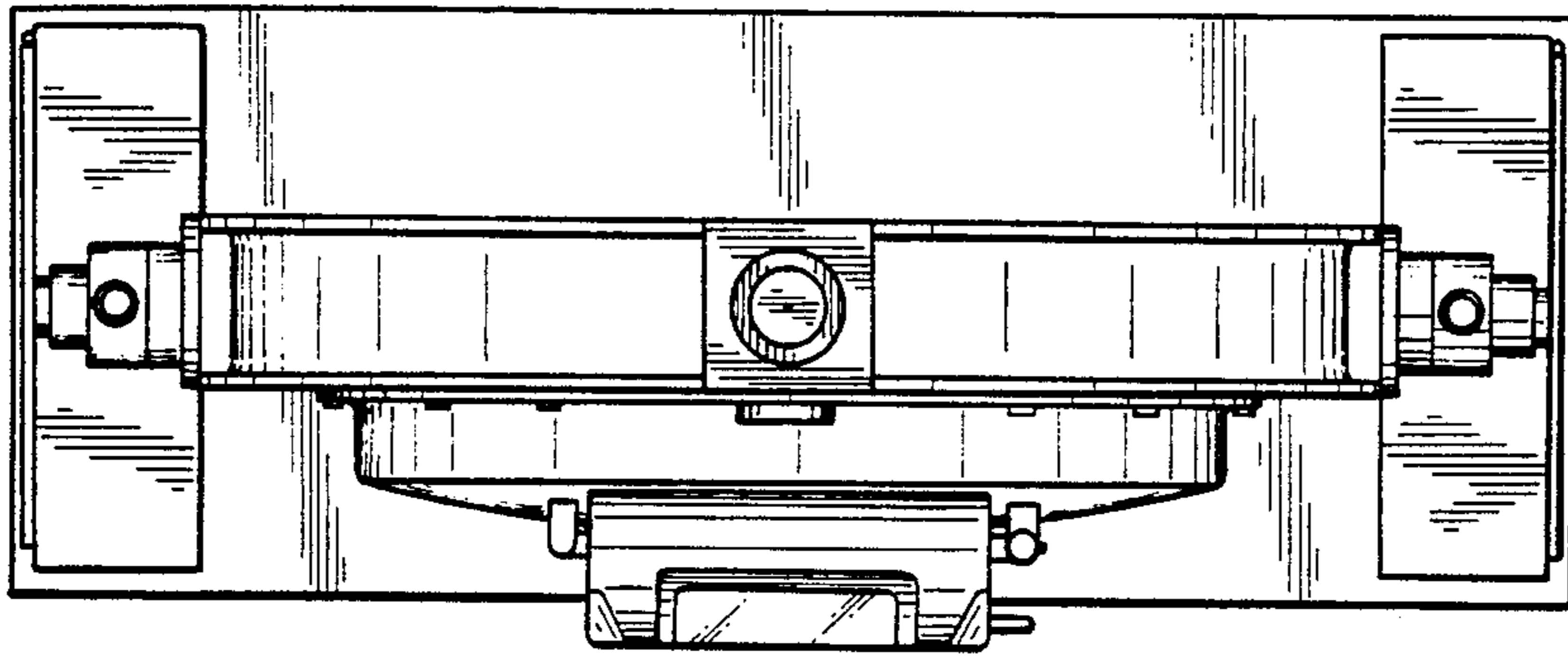


Fig. 5

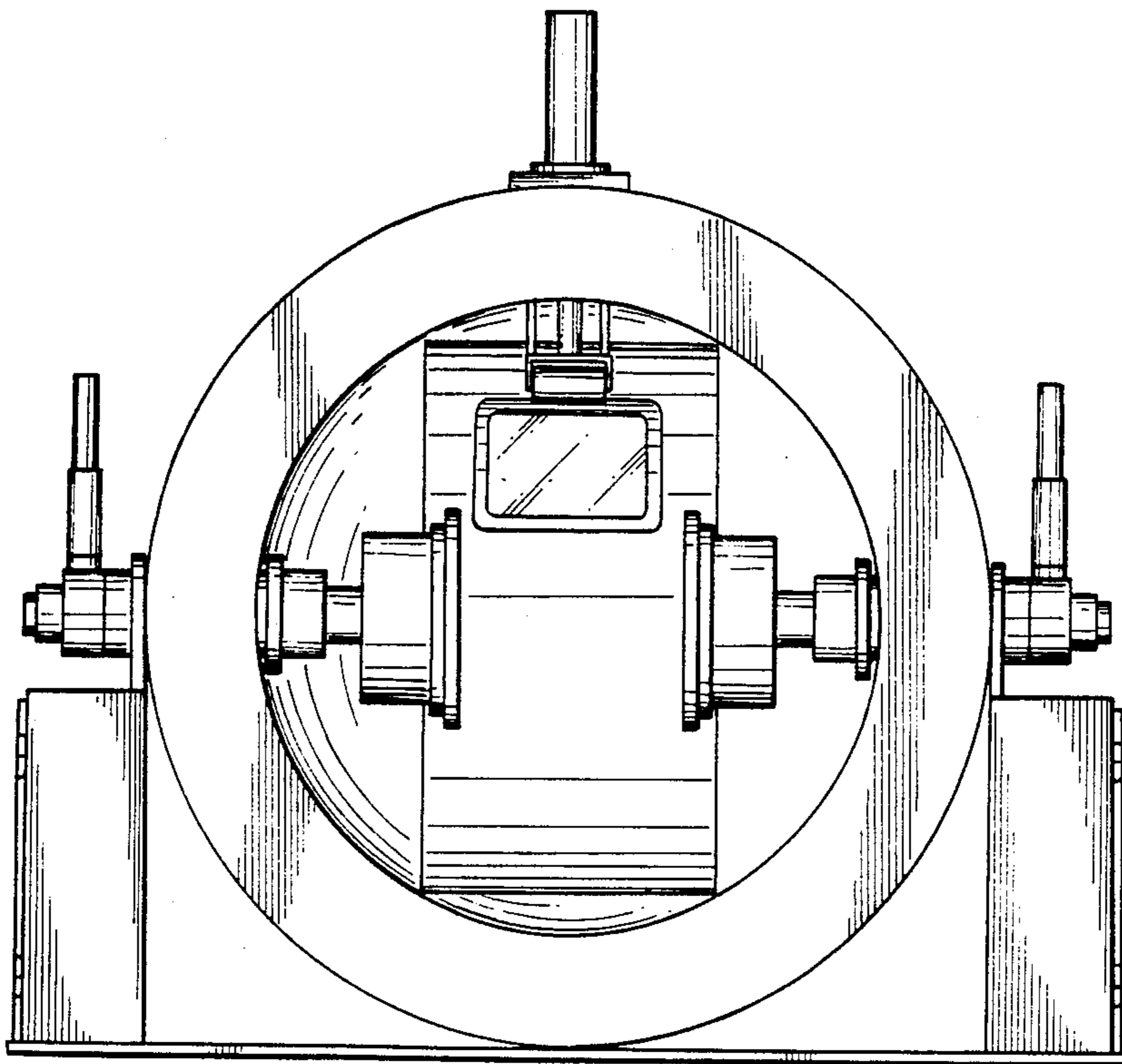


Fig. 4