

[54] **SPORTS WATCH**

[76] **Inventor: Vincent Palazzo, 39 Burnside St.,
Warwick, R.I. 02886**

[**] **Term: 14 Years**

[21] **Appl. No.: 743,914**

[22] **Filed: Jun. 12, 1985**

[52] **U.S. Cl. D10/38; D10/15 X**

[58] **Field of Search D10/1, 15, 30-39;
368/239-242, 276-285; D11/14**

D. 267,312 12/1982 Funk D10/31
D. 281,674 12/1985 Novak D10/38 X
D. 285,543 9/1986 Moser D10/32 X
753,457 3/1904 Weissbrod D11/3 X
2,189,096 2/1940 Alonge D10/32 X

Primary Examiner—Nelson C. Holtje
Attorney, Agent, or Firm—Robert J. Doherty

[57] **CLAIM**

The ornamental design for a sports watch, as shown and described.

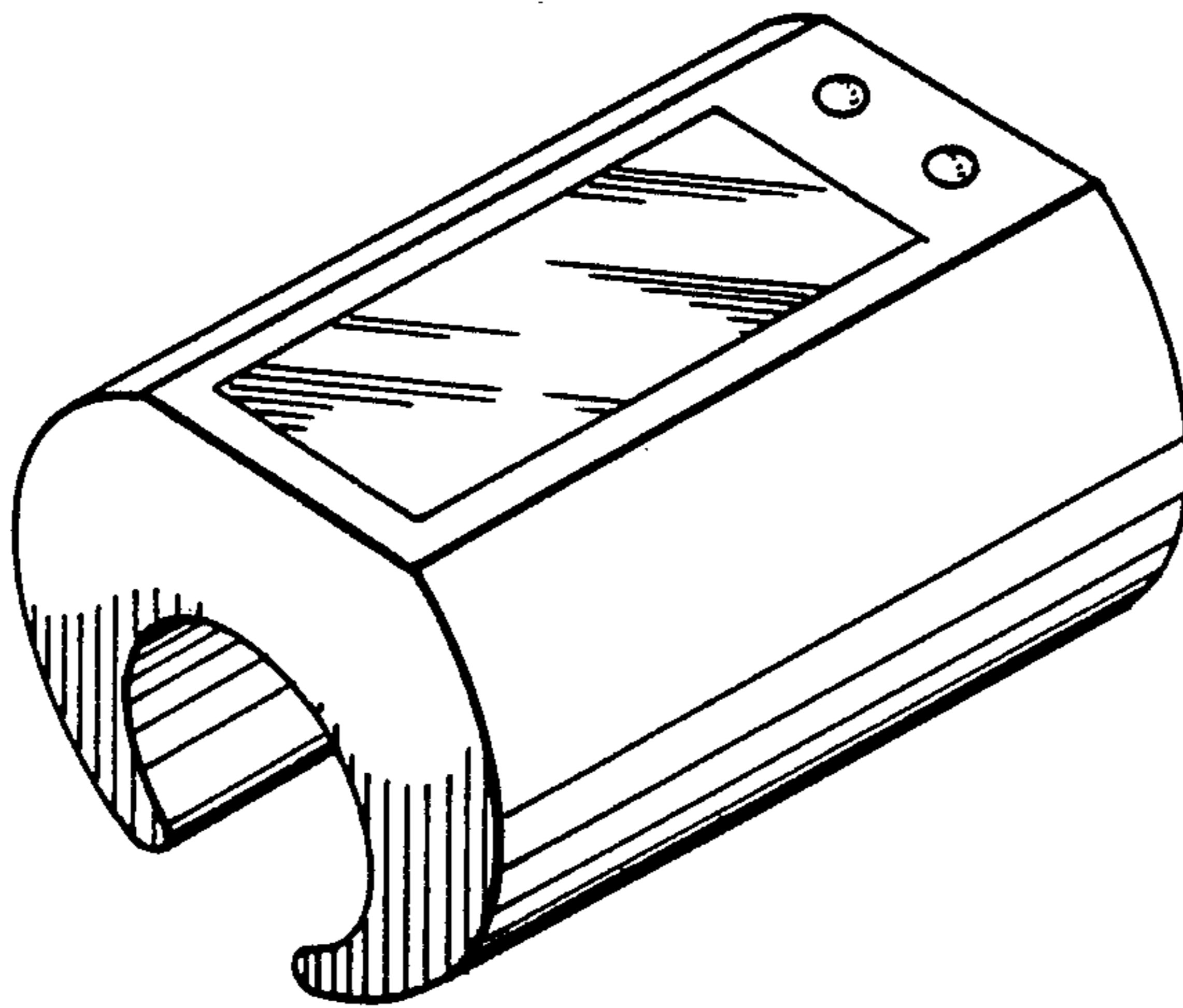
[56] **References Cited**

U.S. PATENT DOCUMENTS

D. 89,586 4/1933 Glass D11/4
D. 101,038 9/1936 Herbst D10/38
D. 236,592 9/1975 Portmann D10/38 X
D. 260,411 8/1981 Rubin D10/31
D. 262,527 1/1982 Goldberg D10/31 X
D. 267,077 11/1982 Kabaya D10/32

DESCRIPTION

FIG. 1 is a top and left front perspective view of a sports watch showing my new design;
FIG. 2 is a top plan view thereof;
FIG. 3 is a bottom plan view thereof;
FIG. 4 is a right side elevational view thereof;
FIG. 5 is front elevational view thereof; and
FIG. 6 is a rear elevational view thereof.



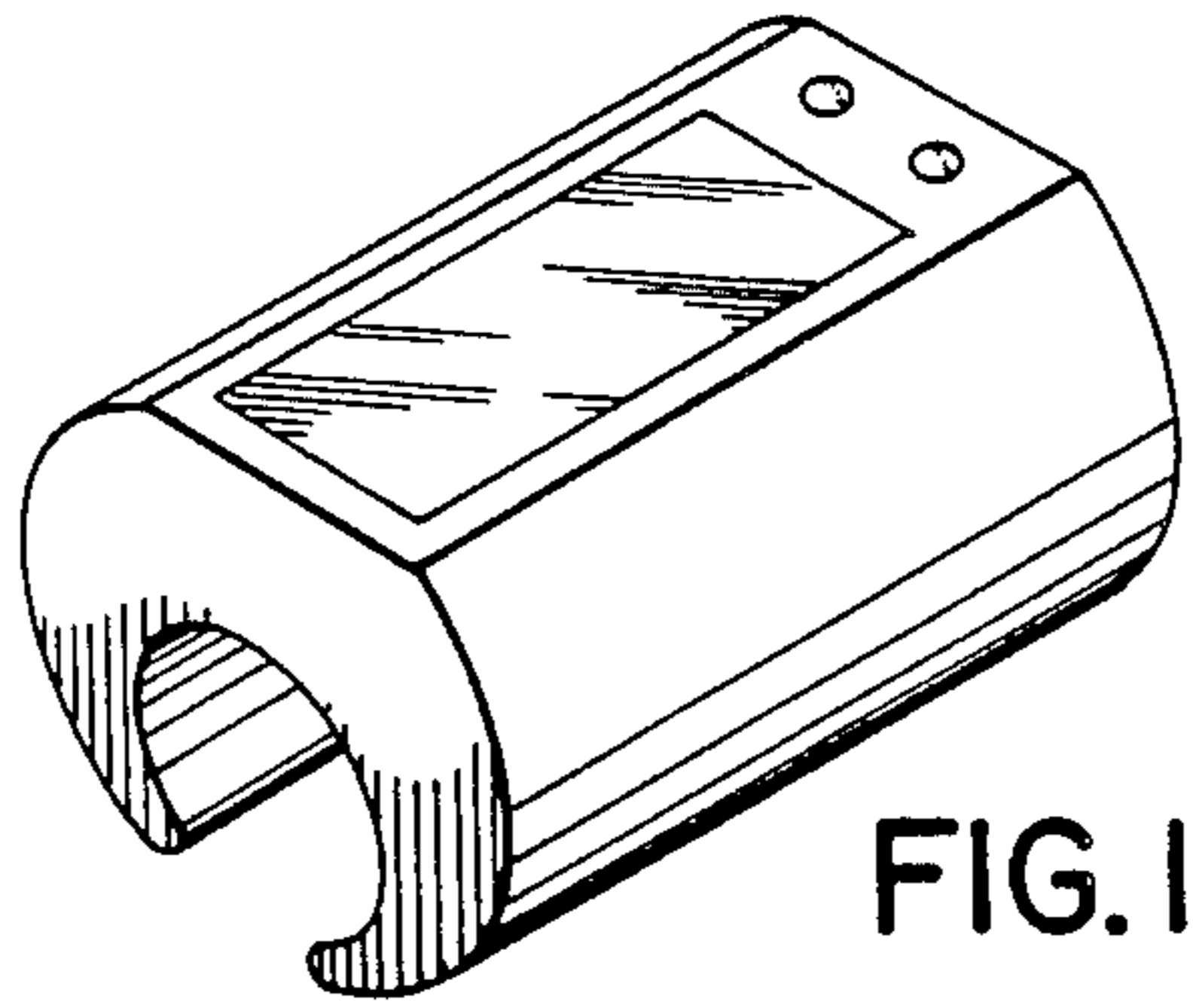


FIG. 1

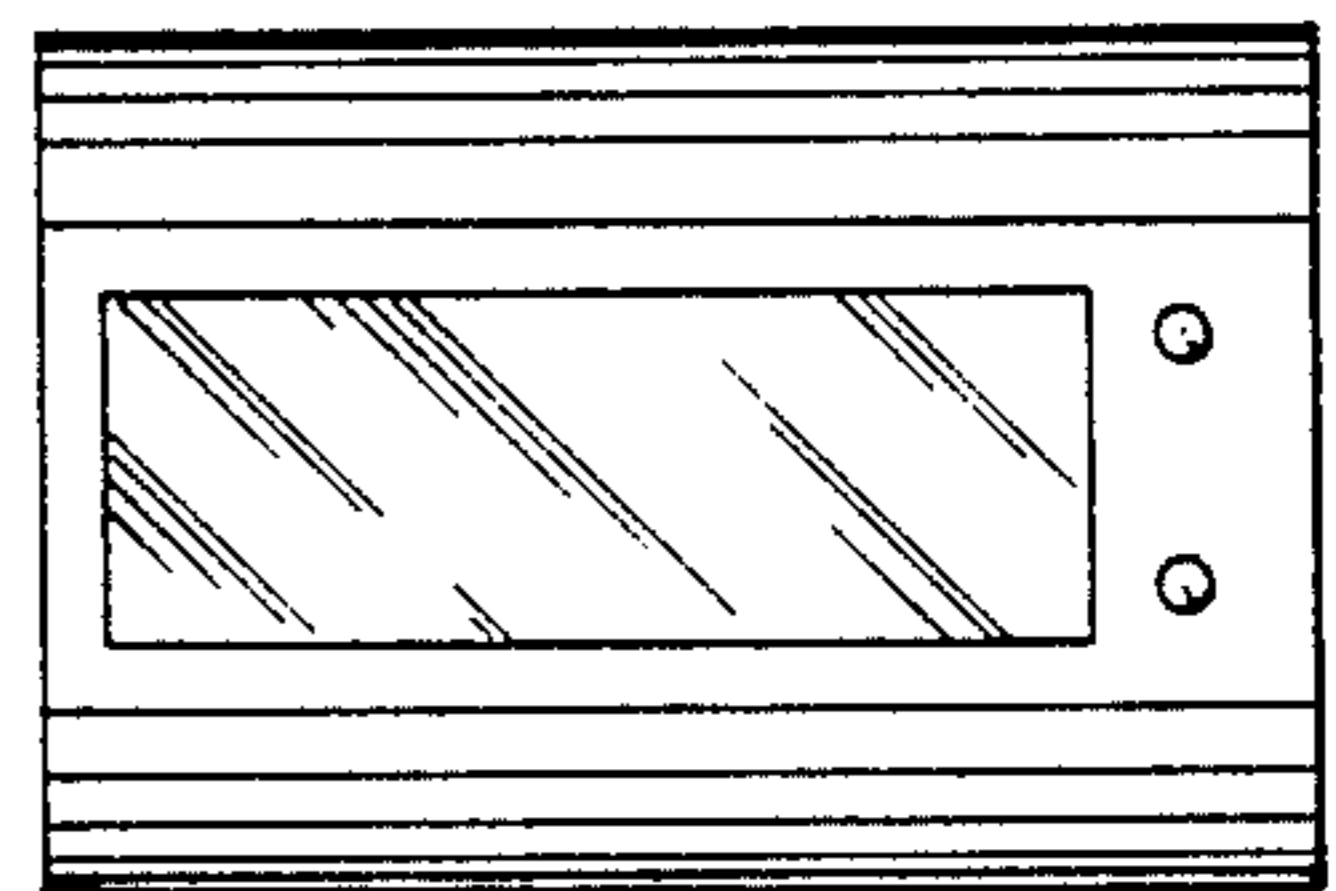


FIG. 2

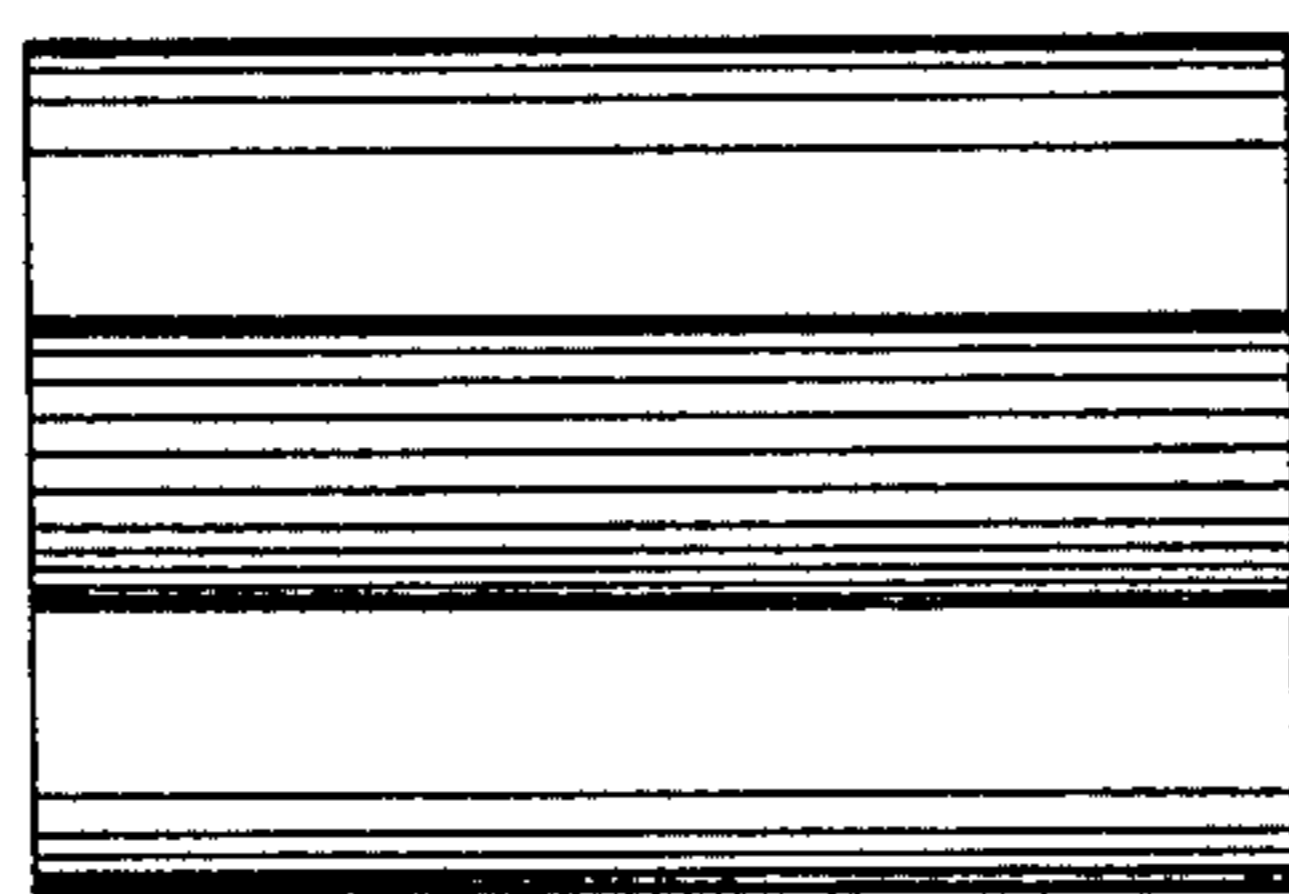


FIG. 3

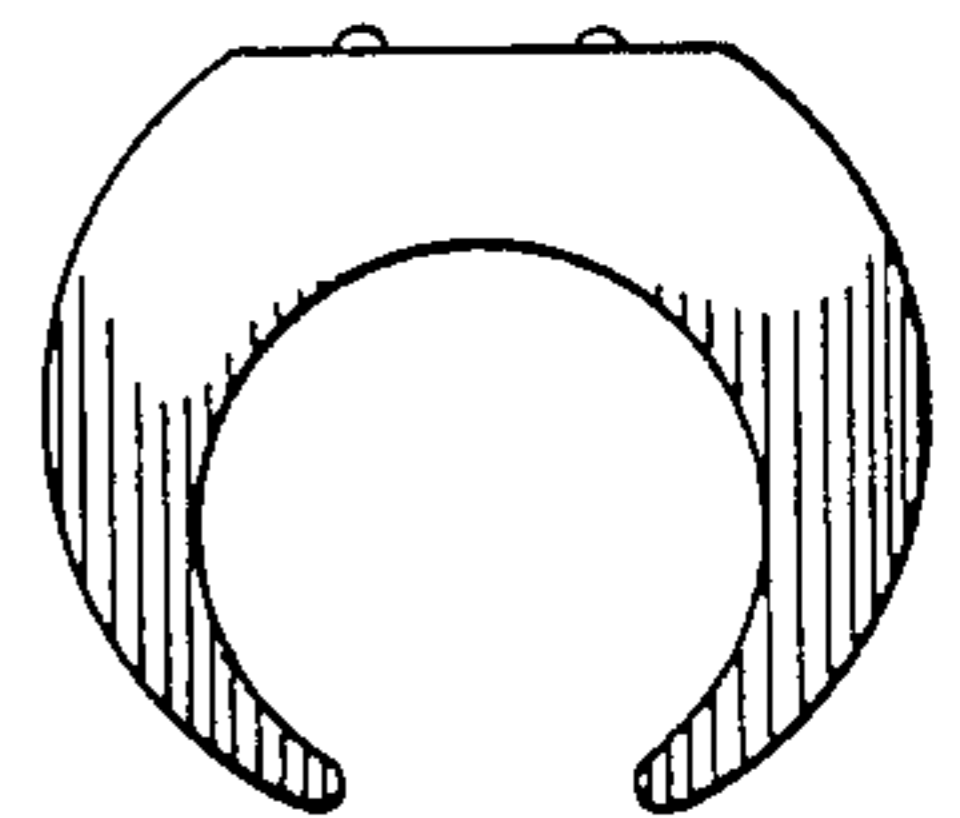


FIG. 4

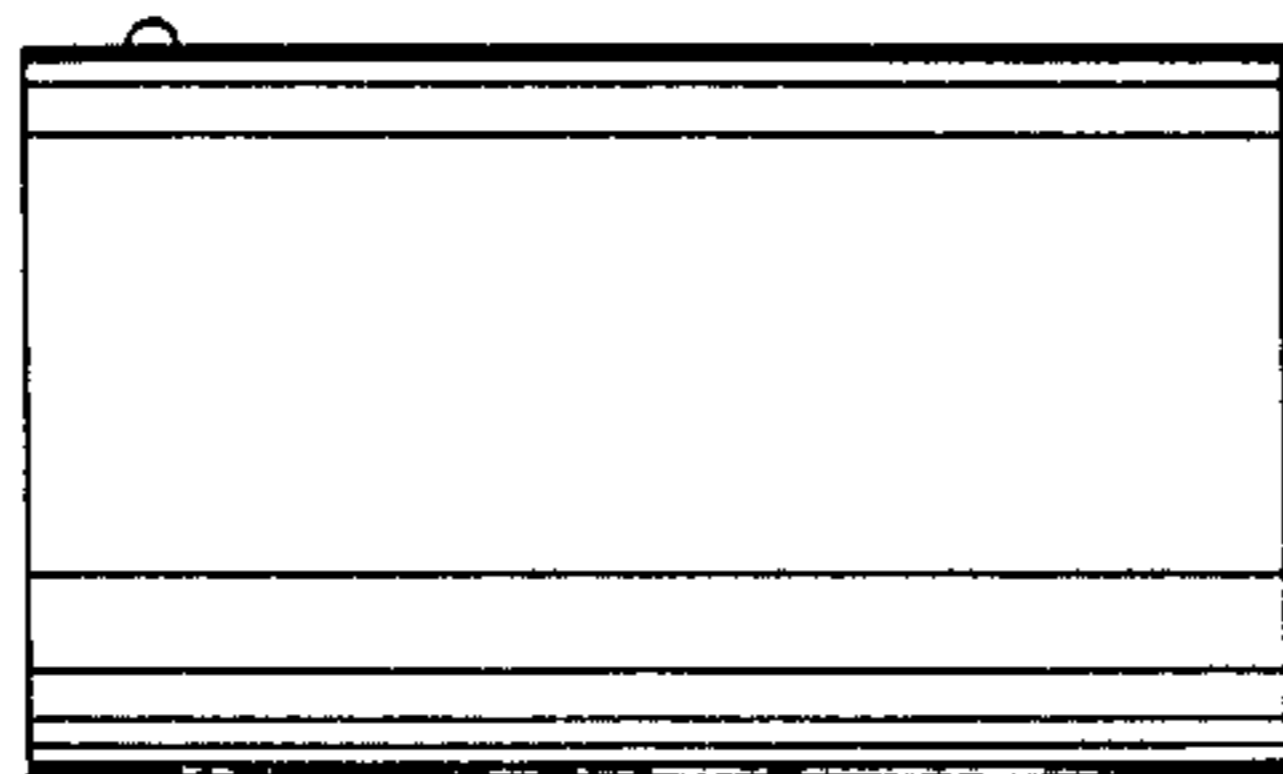


FIG. 6

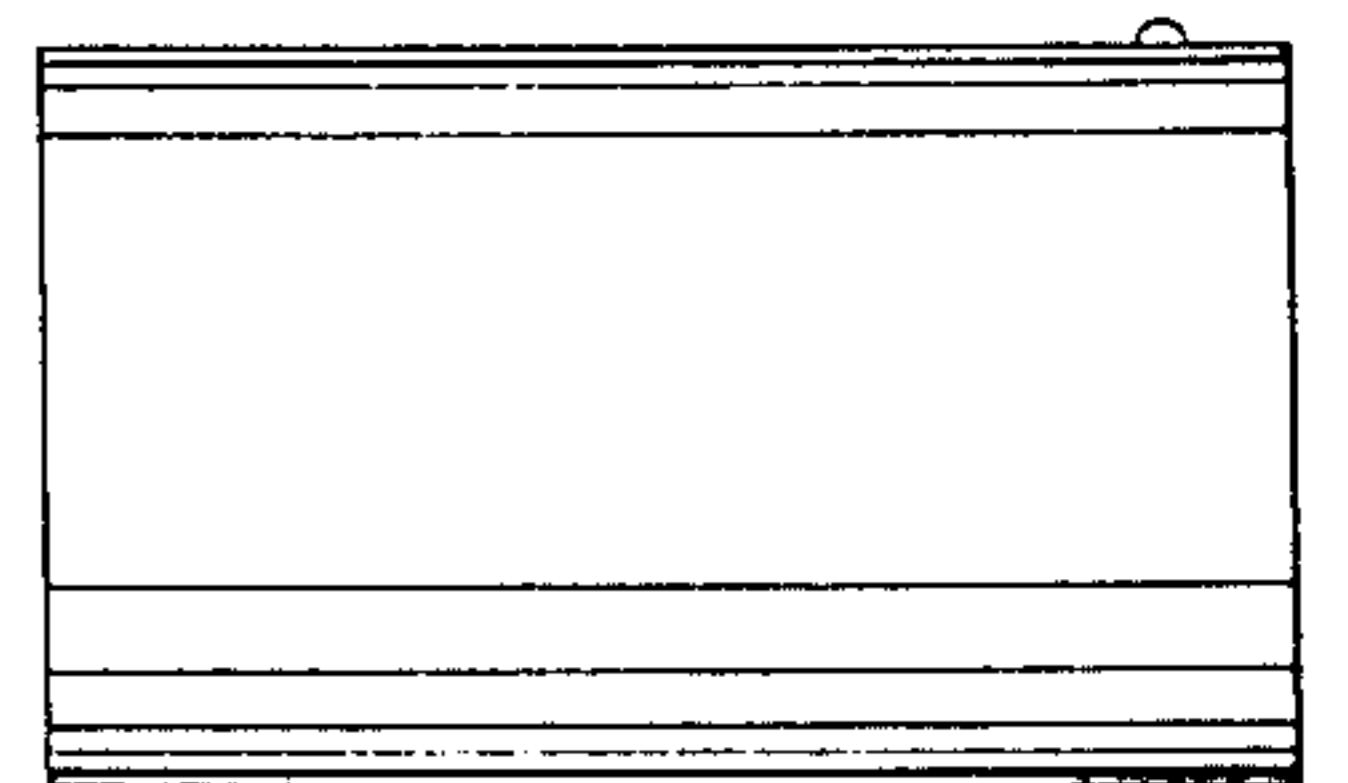


FIG. 5