

[54] **CORKSCREW**

[76] **Inventor:** David B. Johnson, 245 New Road,
Croxley Green, Rickmansworth,
Hertfordshire WD3 3HE, England

[**] **Term:** 14 Years

[21] **Appl. No.:** 707,568

[22] **Filed:** Mar. 4, 1985

[30] **Foreign Application Priority Data**

Sep. 5, 1984 [GB] United Kingdom 1021910

[52] **U.S. Cl.** D8/42

[58] **Field of Search** D8/18, 33, 34, 38, 40-43;
81/3.09, 3.45, 3.55, 3.07; 7/151, 155

[56] **References Cited**

U.S. PATENT DOCUMENTS

D. 247,279 2/1978 Marceca D8/43 X

FOREIGN PATENT DOCUMENTS

3302579 7/1984 Fed. Rep. of Germany 81/3.09
473156 7/1952 Italy 81/3.45

OTHER PUBLICATIONS

Gifts & Tableware Reporter, 8/76, p. 16, sec. 2, Cork-
screw, top, right side.

Primary Examiner—Bernard Ansher

Assistant Examiner—Terry Pfeffer

Attorney, Agent, or Firm—Cushman, Darby & Cushman

[57] **CLAIM**

The ornamental design for a corkscrew, as shown and
described.

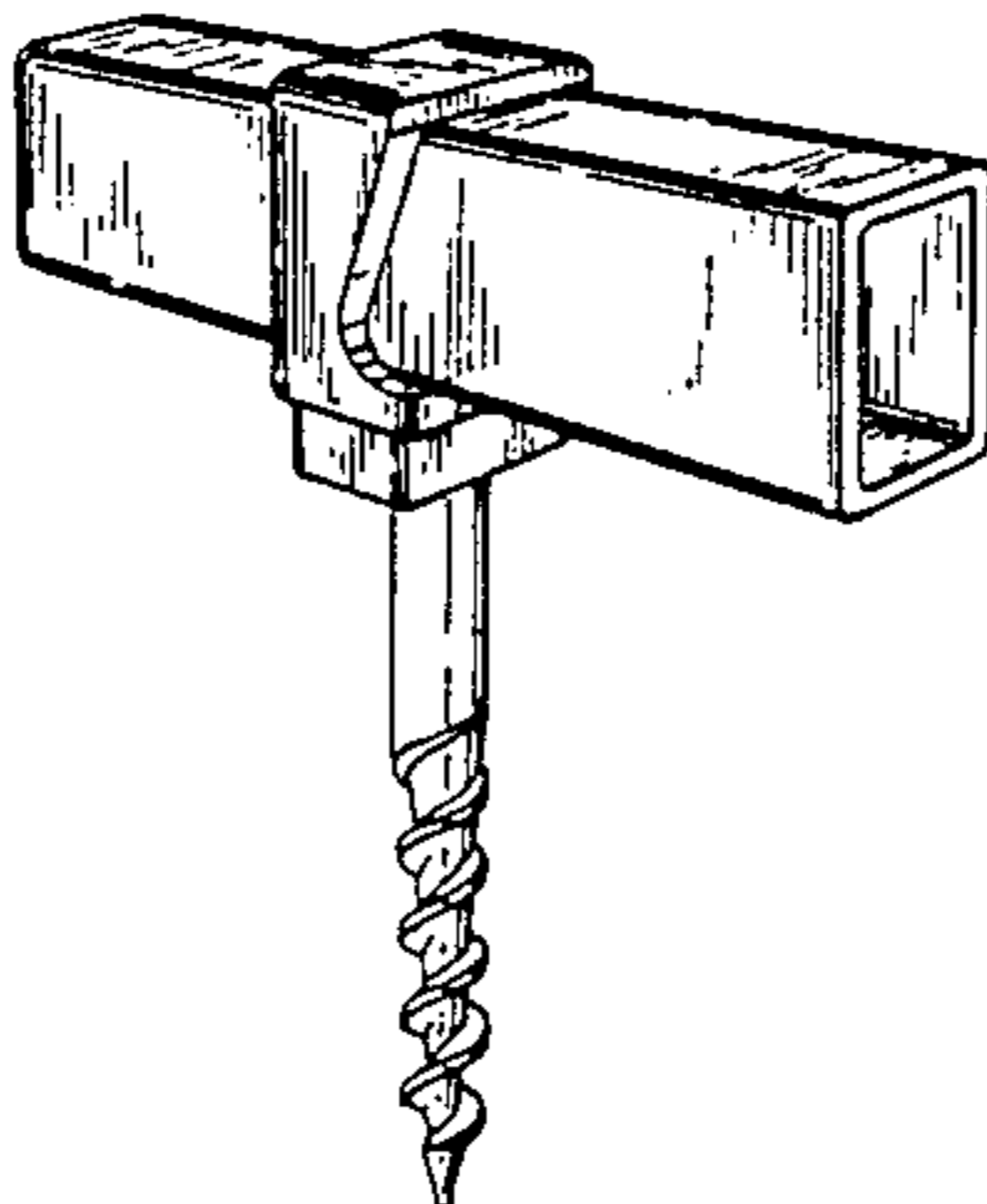
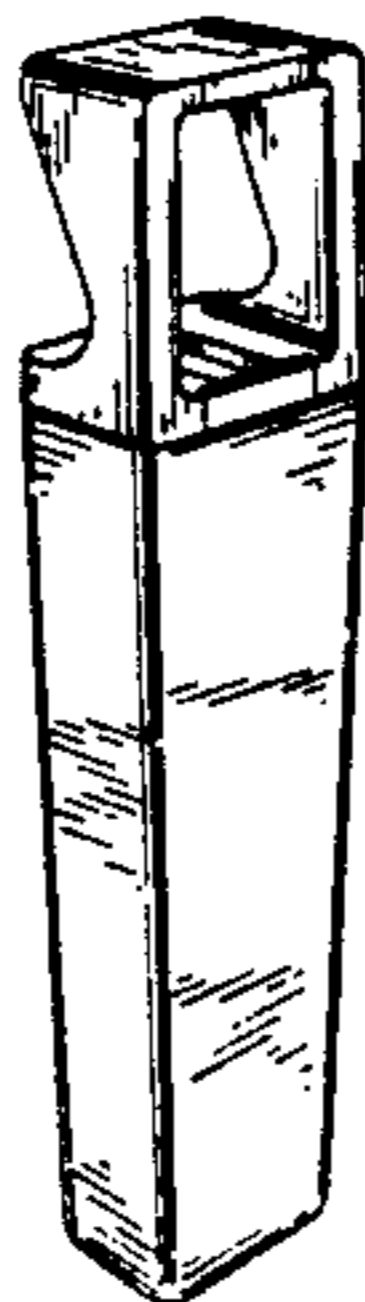
DESCRIPTION

FIG. 1 is a top, front, left side perspective view of a
corkscrew showing my new design;

FIG. 2 is a top, rear, right side perspective view thereof;

FIG. 3 is a perspective view thereof, shown in an open
position; and,

FIG. 4 is a bottom plan view thereof.



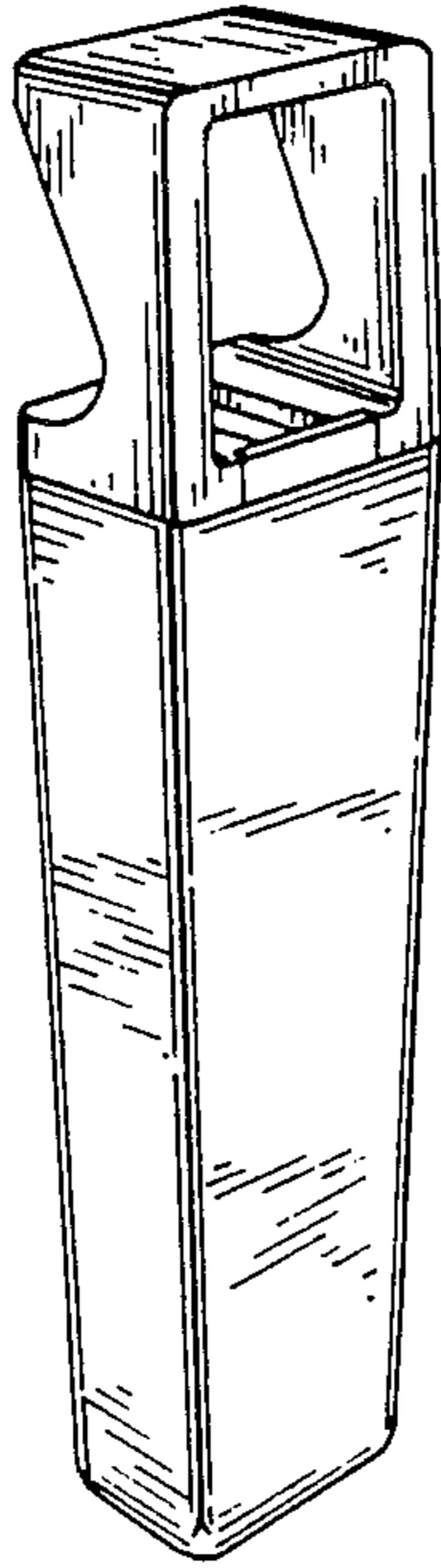


FIG. 1.

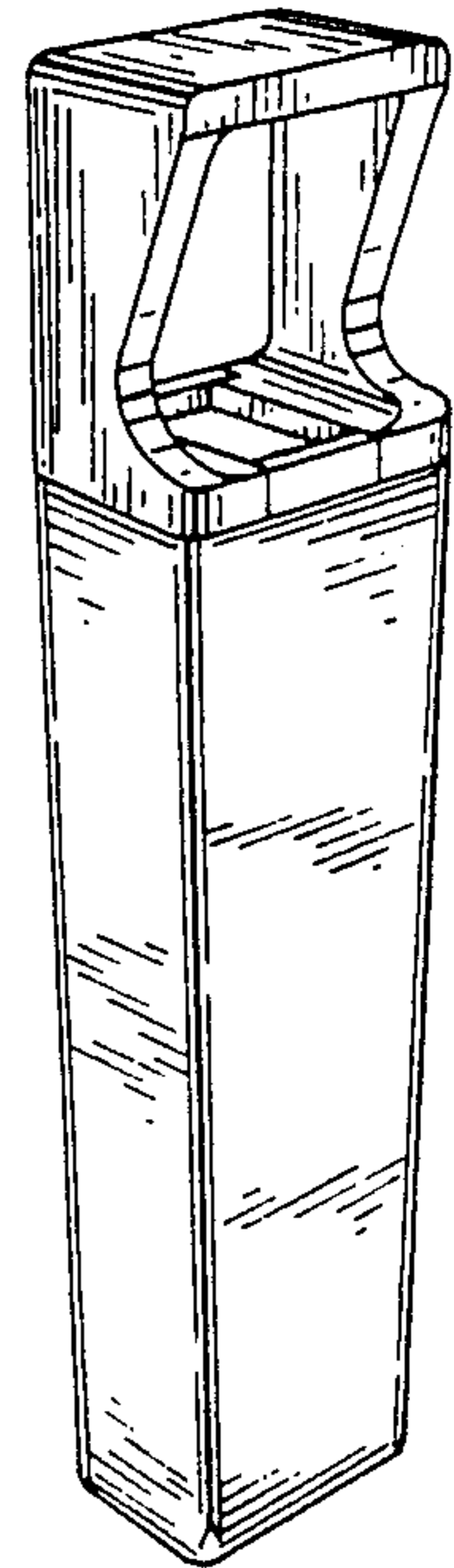


FIG. 2.

FIG. 3.

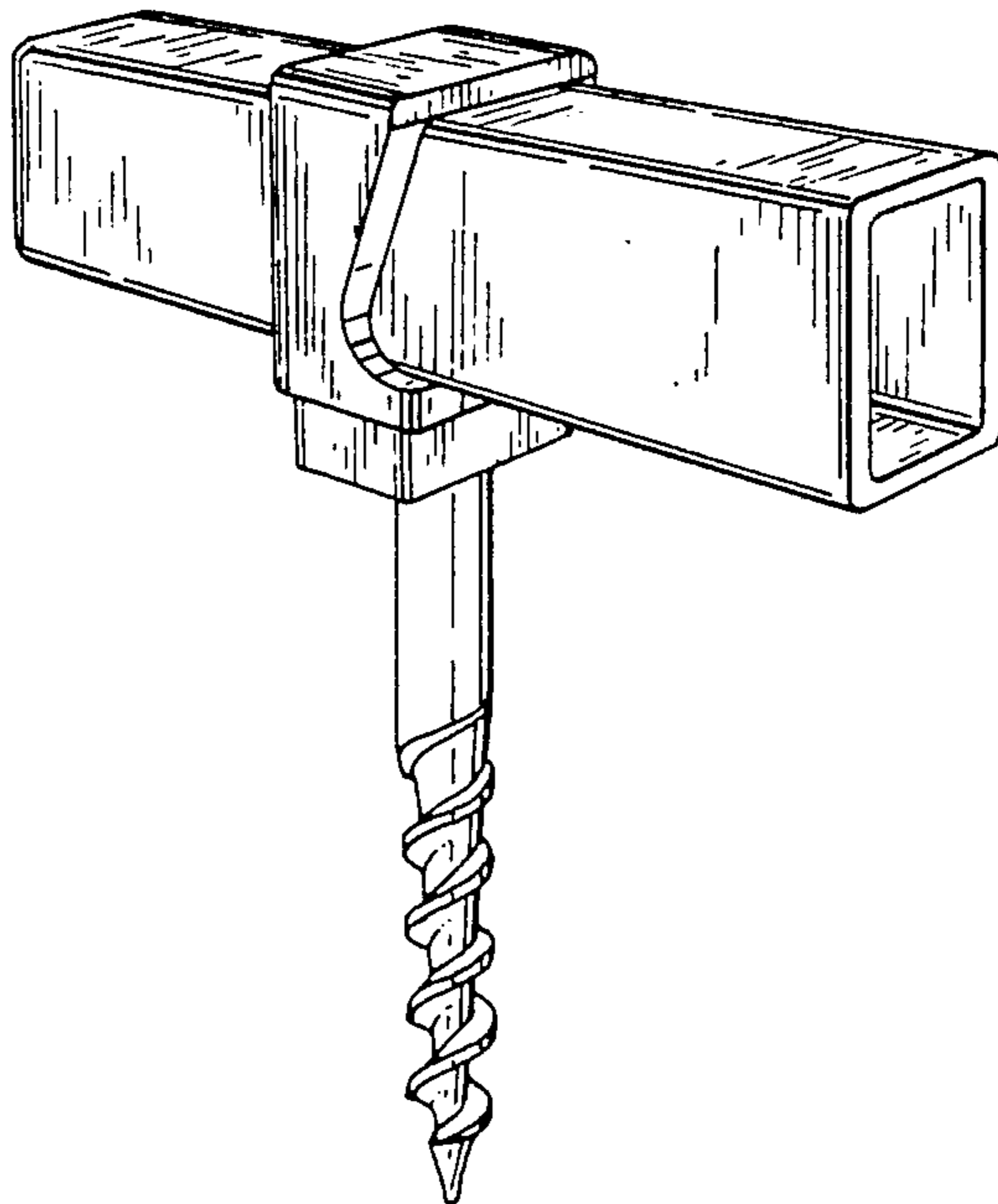


FIG. 4