

# United States Patent [19]

Haglund

[11] Patent Number: Des. 294,217

[45] Date of Patent: \*\* Feb. 16, 1988

[54] HOUSING FOR A GAS FIRED BARBEQUE

[75] Inventor: Allen Haglund, Vancouver, Canada

[73] Assignee: Camper Delight Sales Corp.,  
Vancouver, Canada

[\*\*] Term: 14 Years

[21] Appl. No.: 714,814

[22] Filed: Mar. 22, 1985

[52] U.S. Cl. .... D7/362

[58] Field of Search ..... D7/77, 323, 331-332,  
D7/334, 337-341, 346-348, 354-355, 359,  
362-363, 366-367, 402, 406-409; 126/1 R, 38,  
39 C, 19 R, 19 M, 141 R; 219/385-387, 391;  
220/4 B, 4 E; D3/74, 76

[56] References Cited

## U.S. PATENT DOCUMENTS

D. 226,872 5/1973 Benson ..... D7/337

D. 227,537 7/1973 Farns ..... D7/77  
D. 229,448 11/1973 Traclet ..... D7/337  
D. 275,640 9/1984 Hoglund ..... D7/337  
4,476,849 10/1984 Schmidt ..... 126/41 R

Primary Examiner—Wallace R. Burke

Assistant Examiner—Ruth Takemoto

## [57] CLAIM

The ornamental design for a housing for a gas fired barbeque, as shown and described.

## DESCRIPTION

FIG. 1 is a perspective view of a housing for a gas fired barbeque showing my new design;

FIG. 2 is an end elevational view thereof;

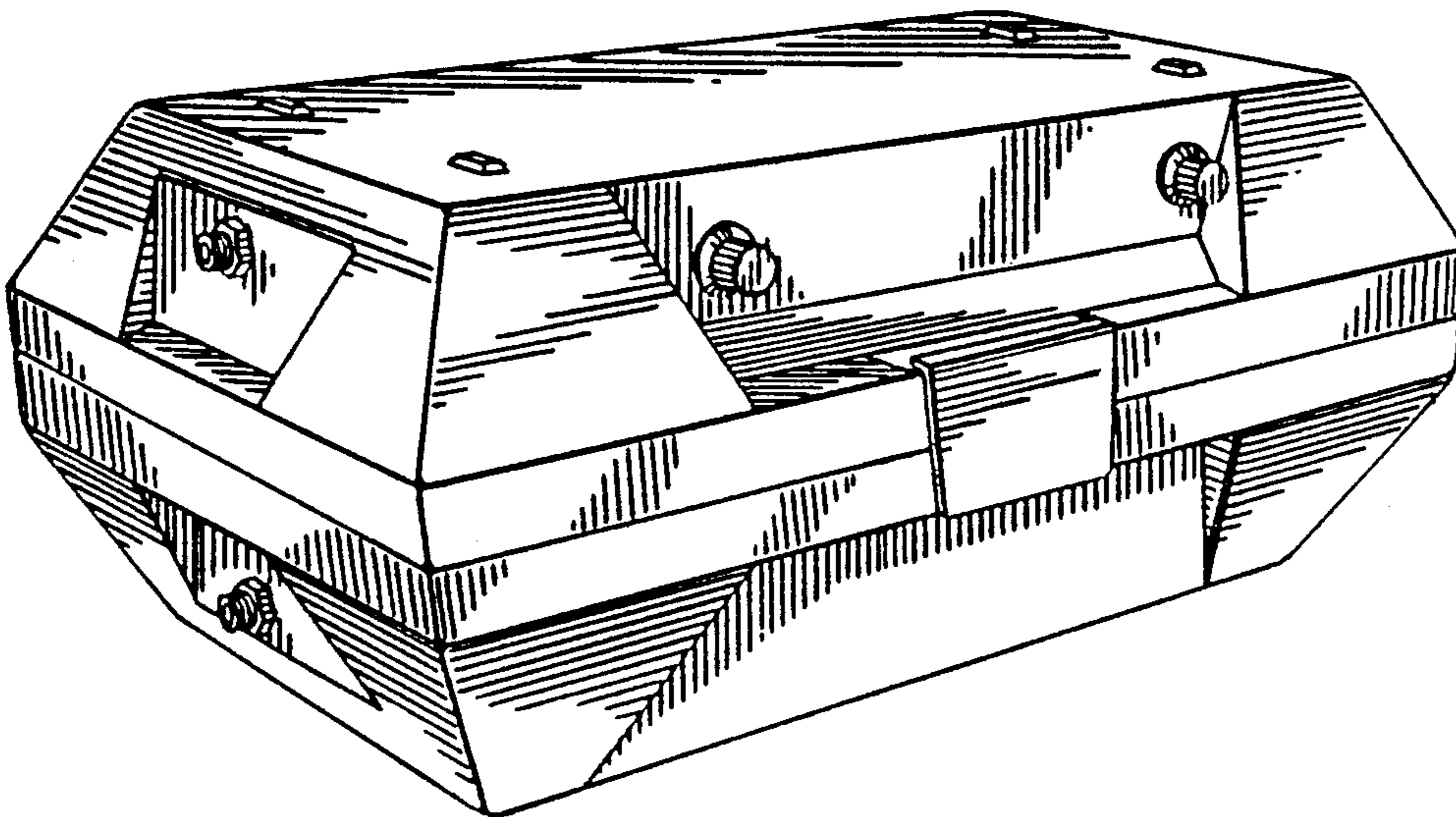
FIG. 3 is an end elevational view thereof, of the opposite side of FIG. 2;

FIG. 4 is a front elevational view thereof;

FIG. 5 is a rear elevational view thereof;

FIG. 6 is a top plan view thereof;

FIG. 7 is a bottom plan view thereof.



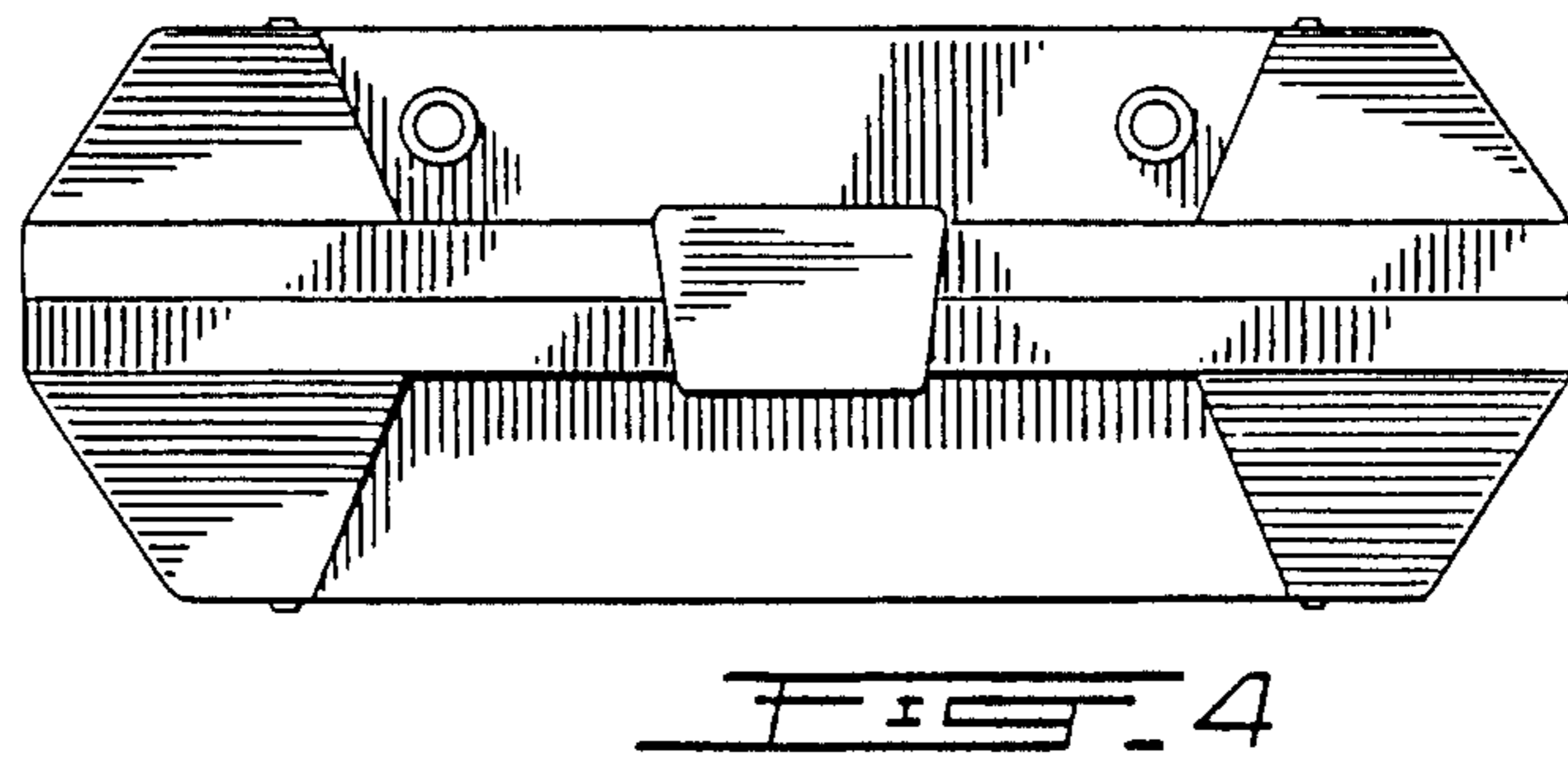
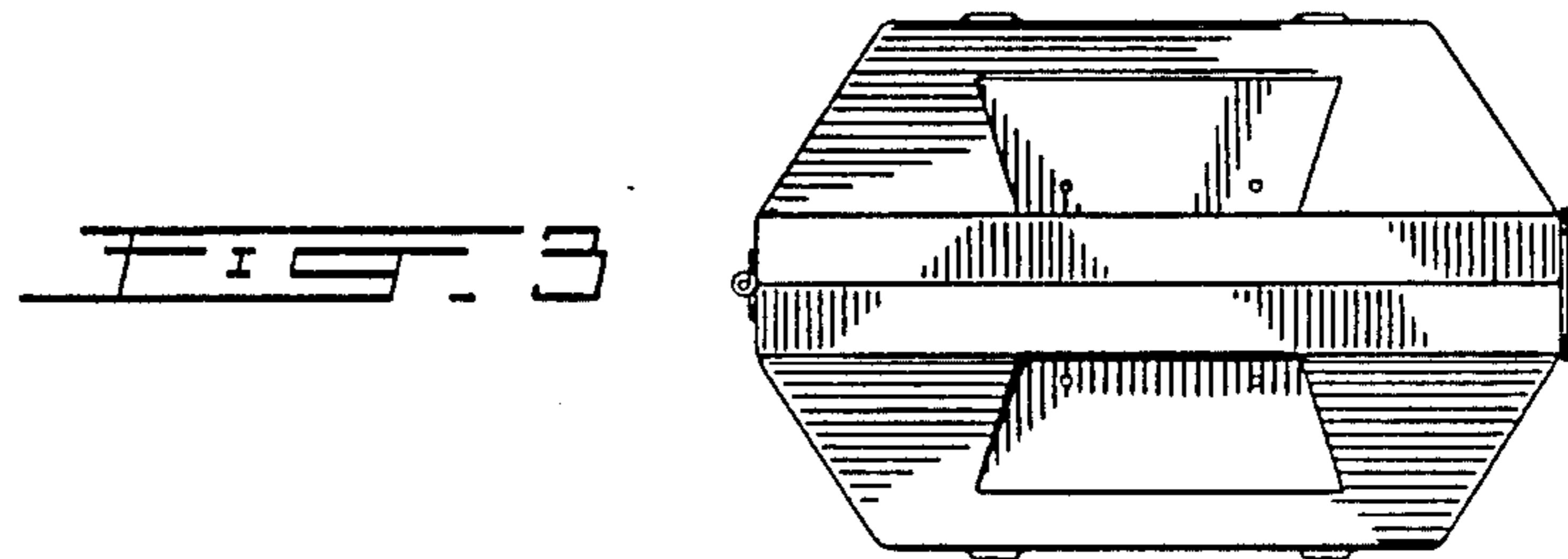
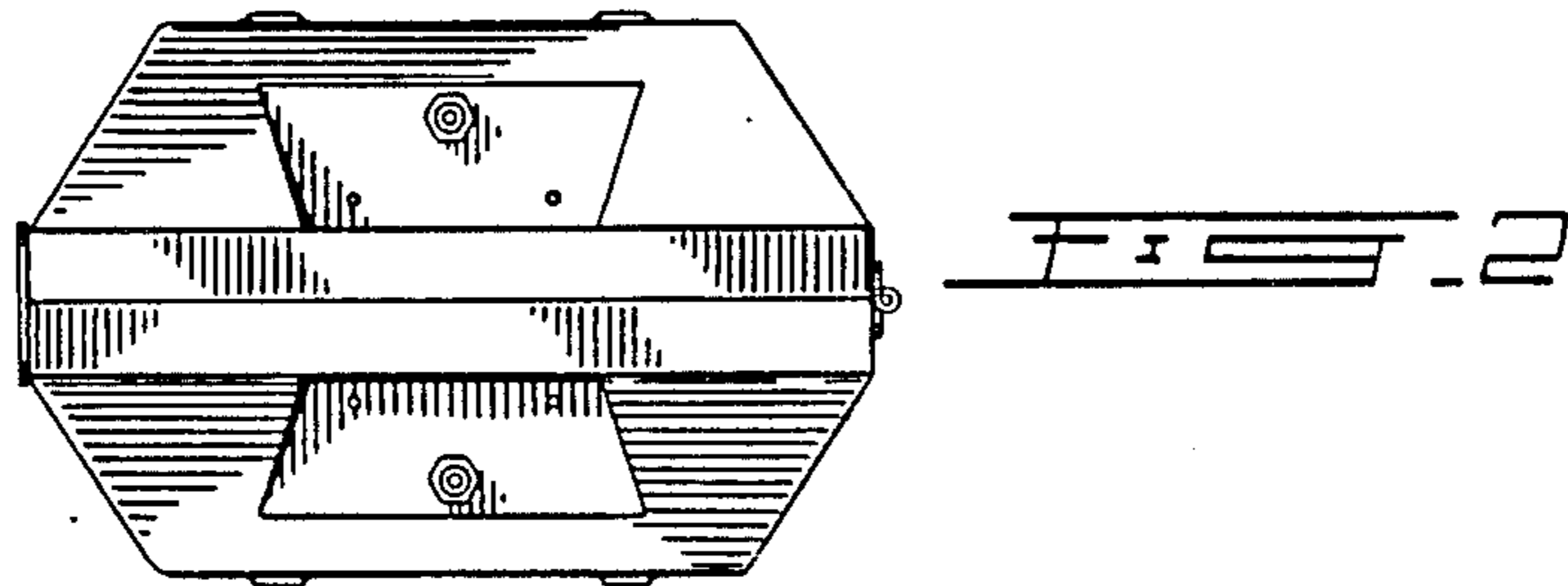
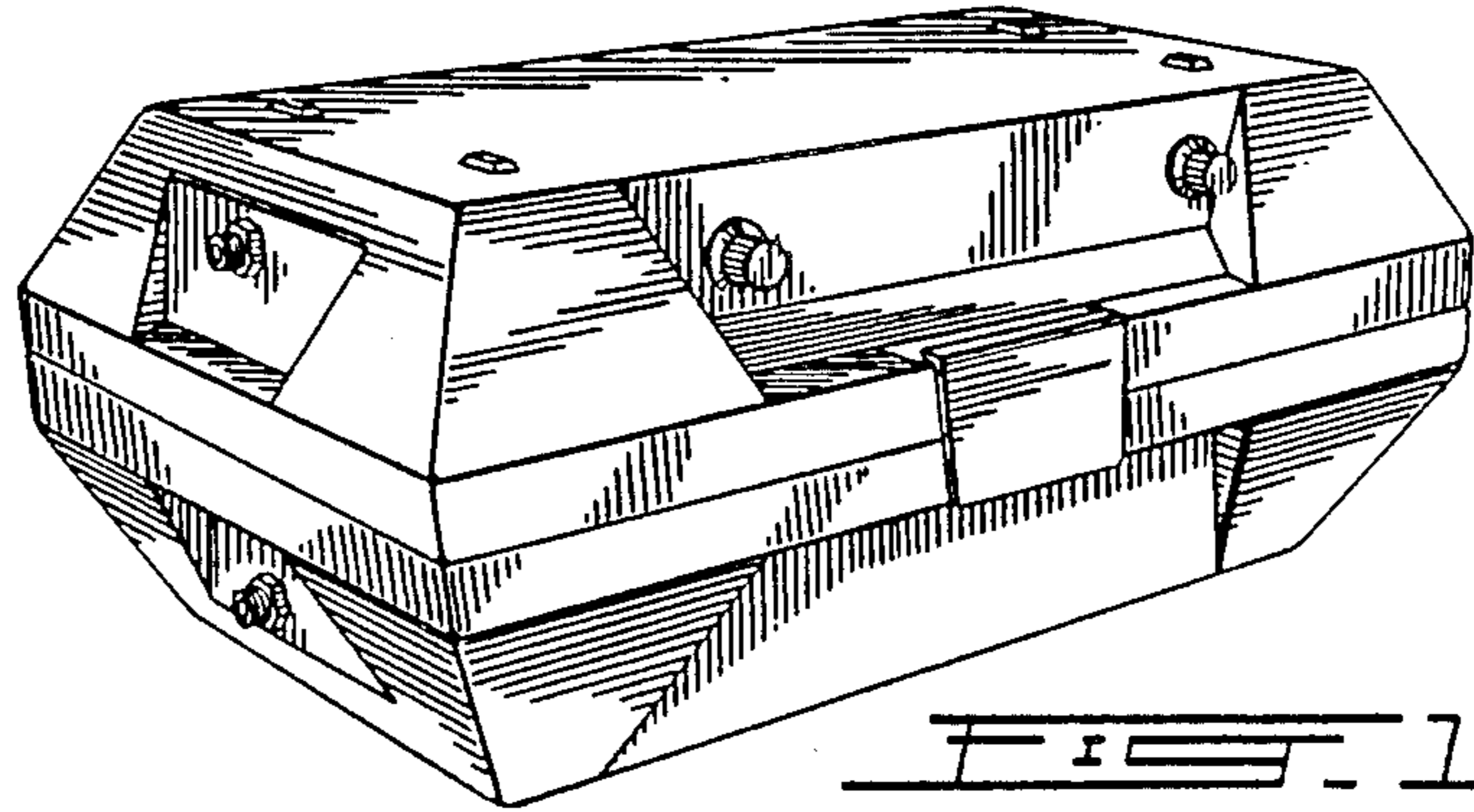


FIG. 5

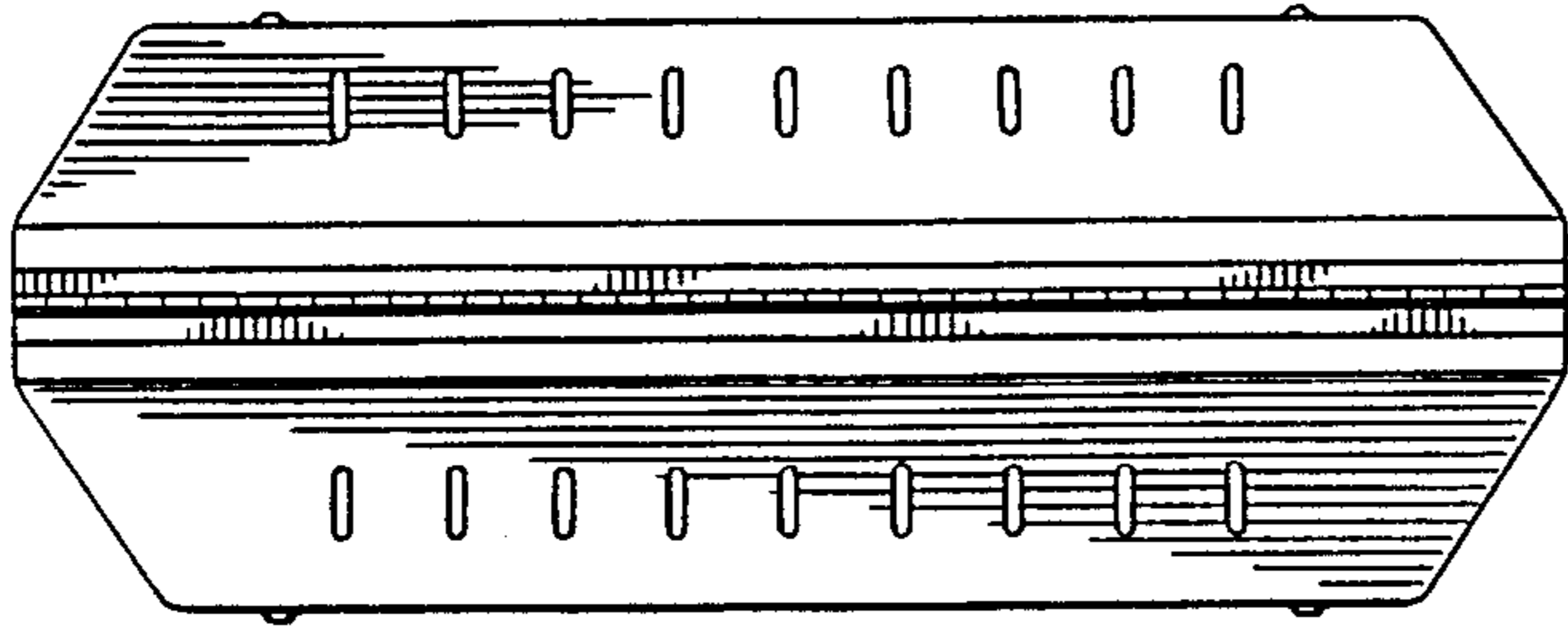


FIG. 6

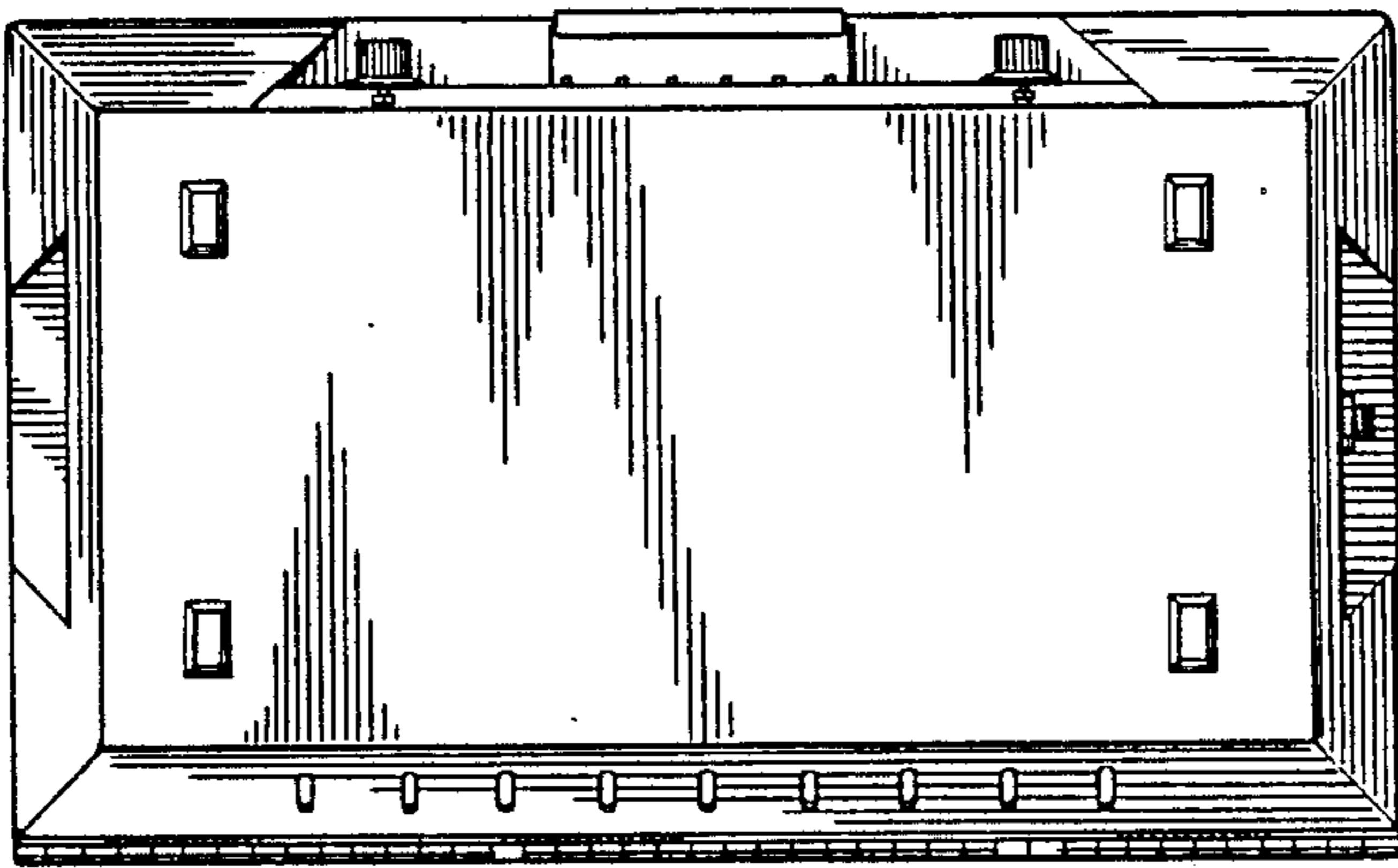


FIG. 7

