

**United States Patent** [19]  
**Choi**

[11] **Patent Number: Des. 294,216**  
[45] **Date of Patent: \*\* Feb. 16, 1988**

[54] **MICROWAVE OVEN**

[75] **Inventor: Jong S. Choi, Inchon, Rep. of Korea**

[73] **Assignee: Gold Star Co., Ltd., Seoul, Rep. of Korea**

[\*\*] **Term: 14 Years**

[21] **Appl. No.: 706,083**

[22] **Filed: Feb. 27, 1985**

[30] **Foreign Application Priority Data**

Nov. 23, 1984 [KR] Rep. of Korea ..... 13974/1984

[52] **U.S. Cl. .... D7/351**

[58] **Field of Search ..... D7/348, 349, 350, 351;  
219/10.55 R, 10.55 B; 126/273 R, 275 R, 275 E**

[56] **References Cited**

**U.S. PATENT DOCUMENTS**

D. 235,126 5/1975 Binzer et al. .... D7/351  
D. 256,208 8/1980 Yamamura et al. .... D7/351

D. 267,923 2/1983 Haruguchi et al. .... D7/351  
D. 268,081 3/1983 Haruguchi et al. .... D7/351  
D. 285,893 9/1986 Mizuma et al. .... D7/351  
D. 287,925 1/1987 Kubo et al. .... D7/351

*Primary Examiner*—Wallace R. Burke  
*Assistant Examiner*—Ruth Takemoto  
*Attorney, Agent, or Firm*—Birch, Stewart, Kolasch & Birch

[57] **CLAIM**

The ornamental design for a microwave oven, as shown.

**DESCRIPTION**

FIG. 1 is a perspective view of a microwave oven showing my new design;  
FIG. 2 is a top plan view thereof;  
FIG. 3 is a front elevational view thereof;  
FIG. 4 is a bottom plan view thereof;  
FIG. 5 is a rear elevational view thereof;  
FIG. 6 is a right side elevational view thereof; and  
FIG. 7 is a left side elevational view.

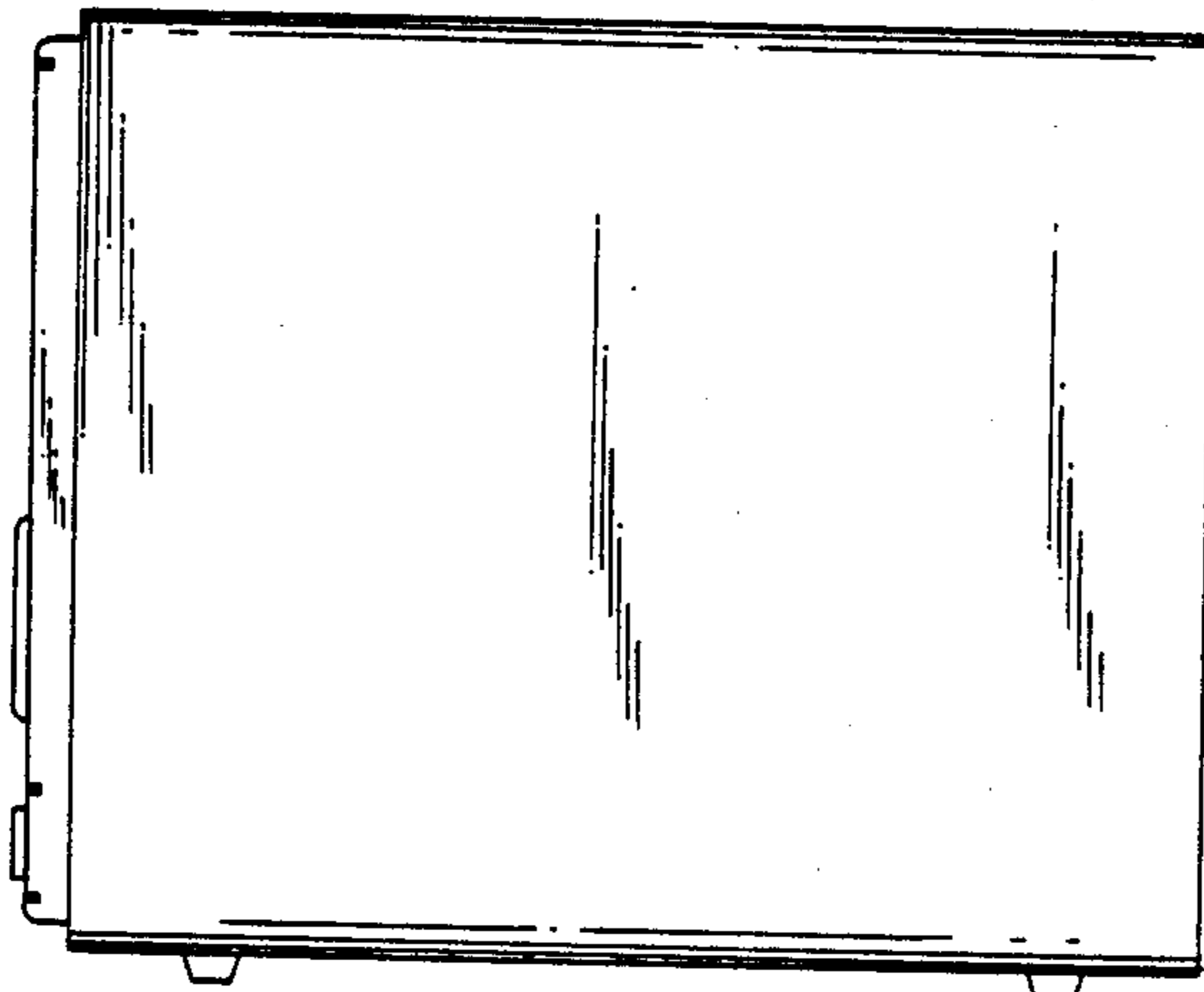
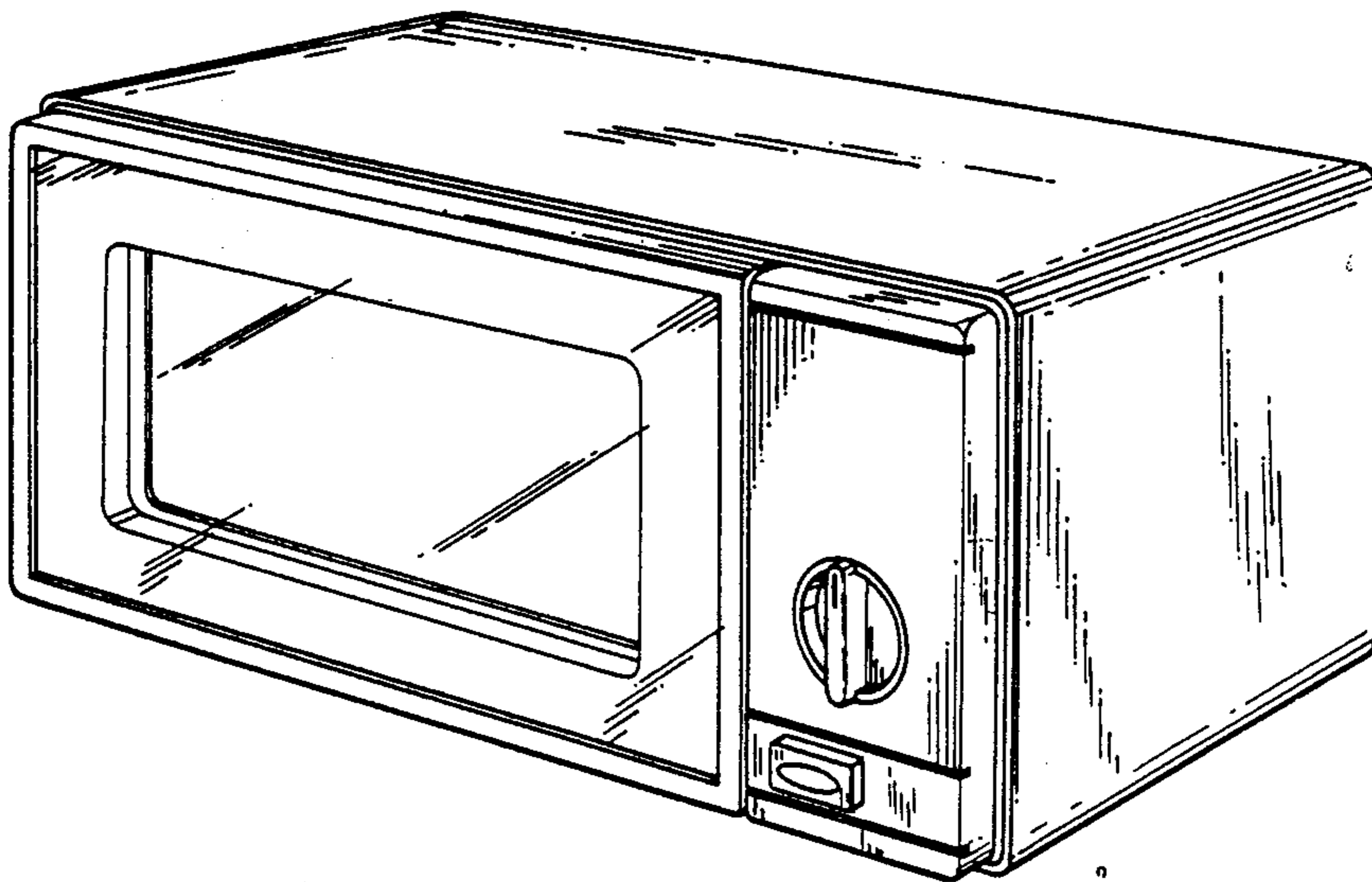


FIG. 1

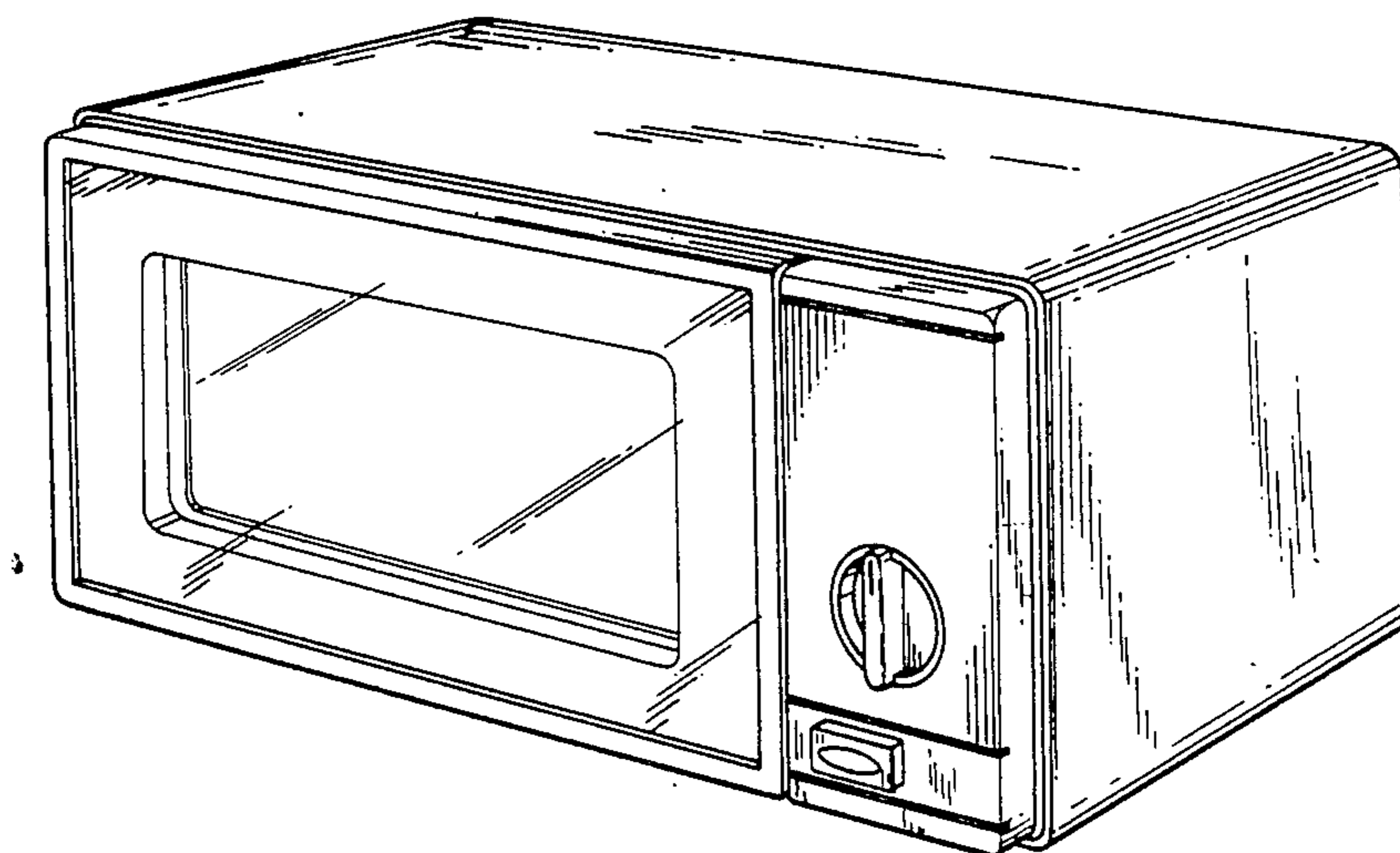


FIG. 2

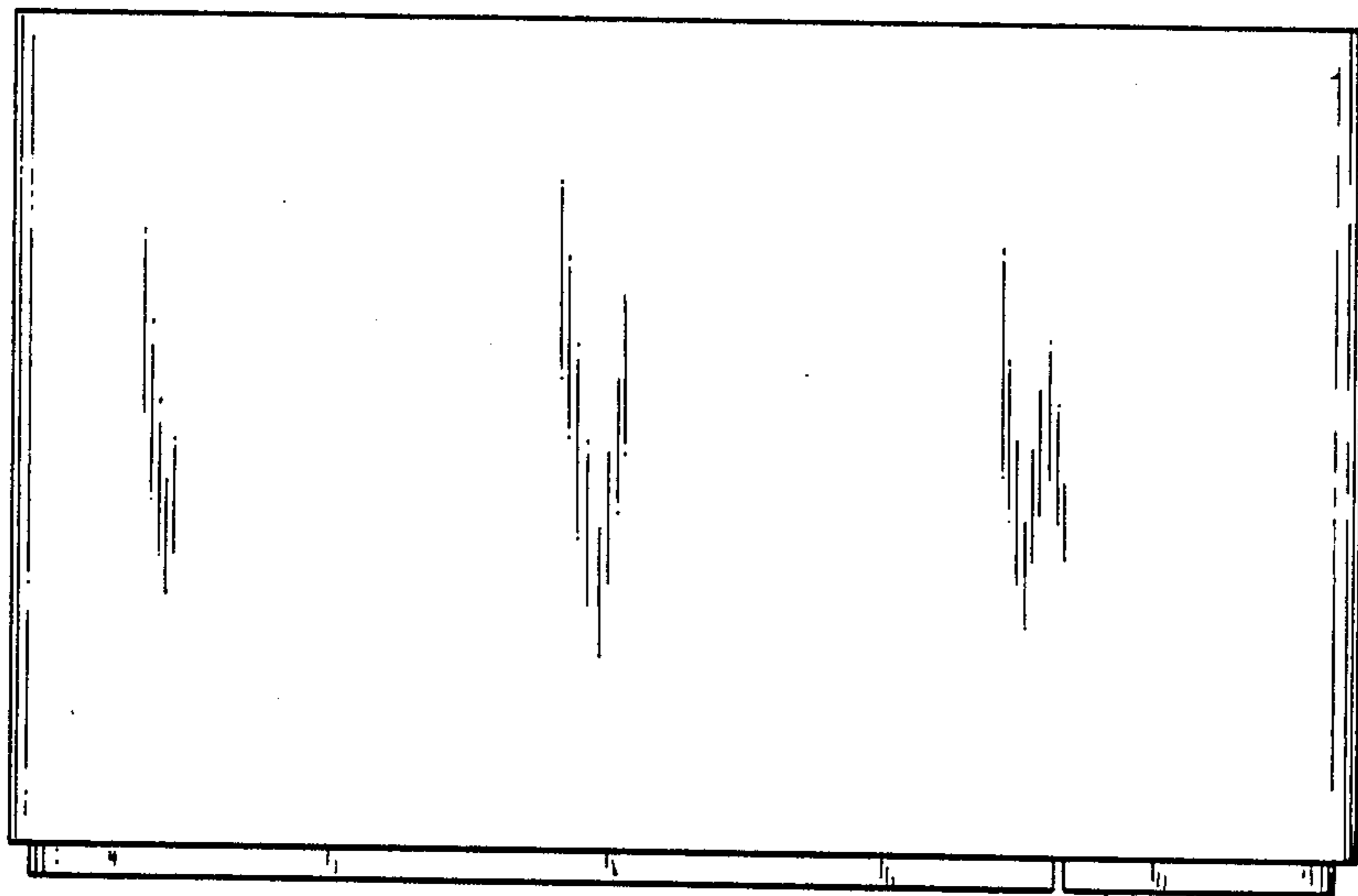


FIG. 3

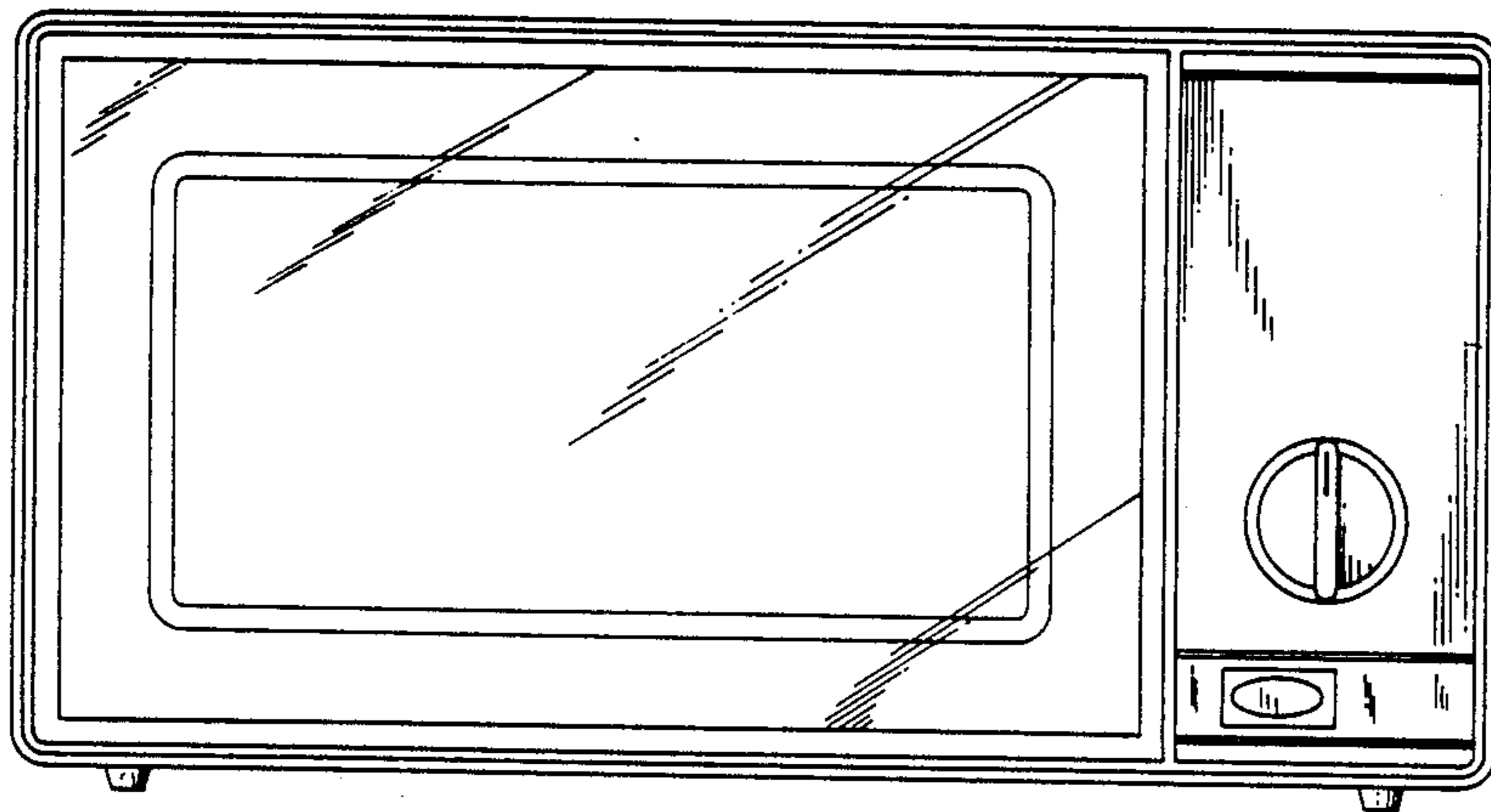


FIG. 4

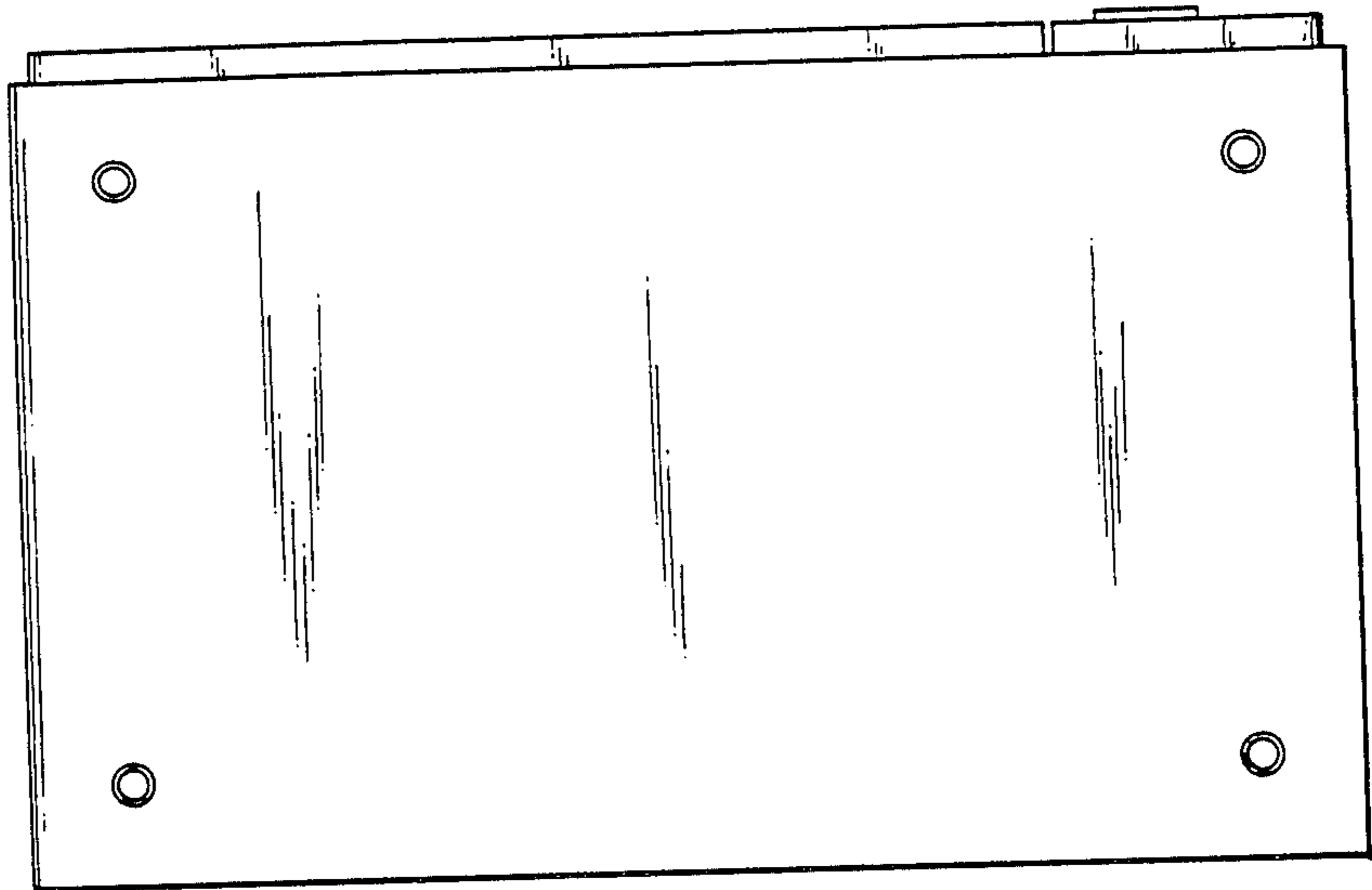


FIG. 5

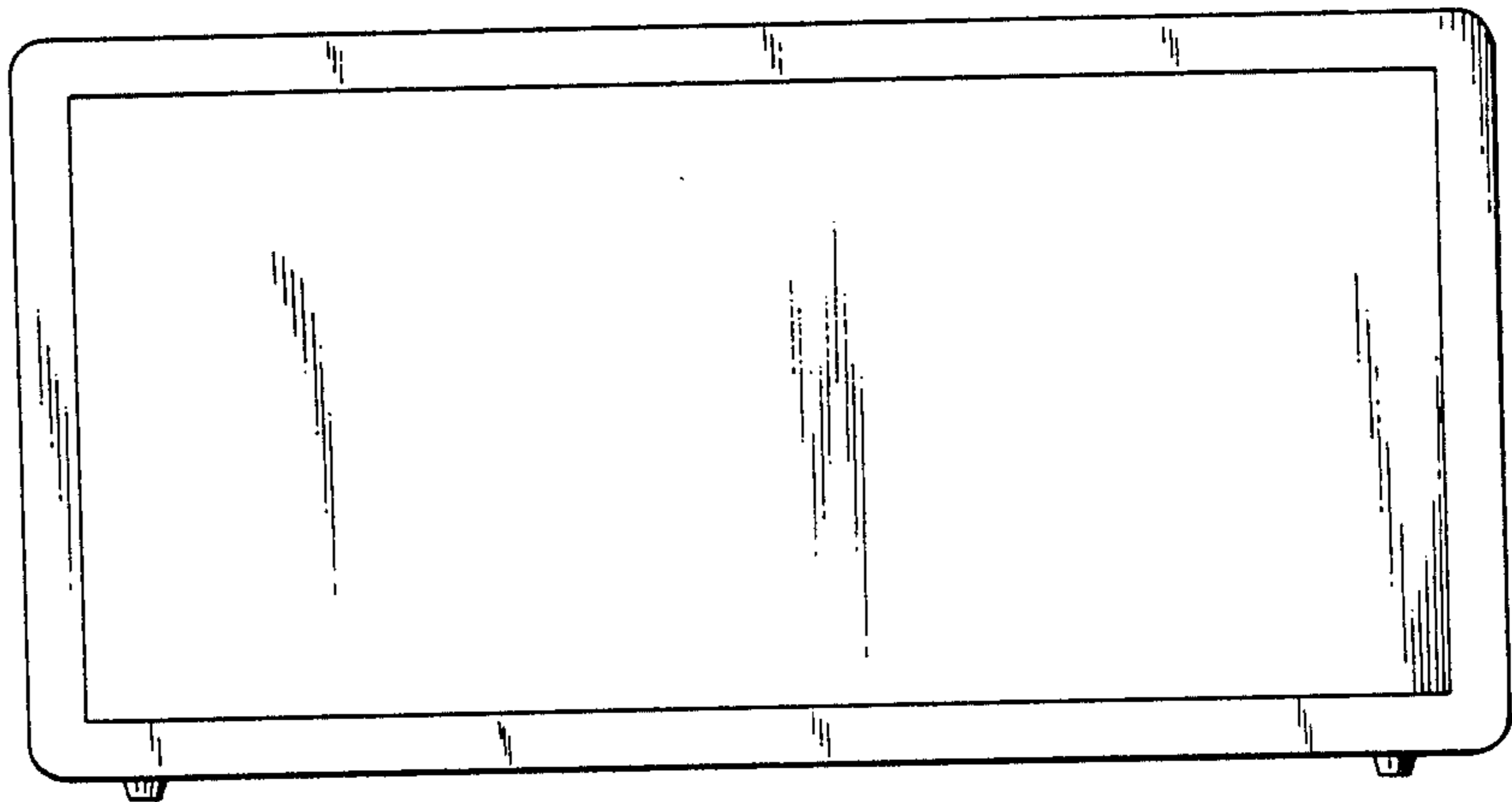


FIG. 6

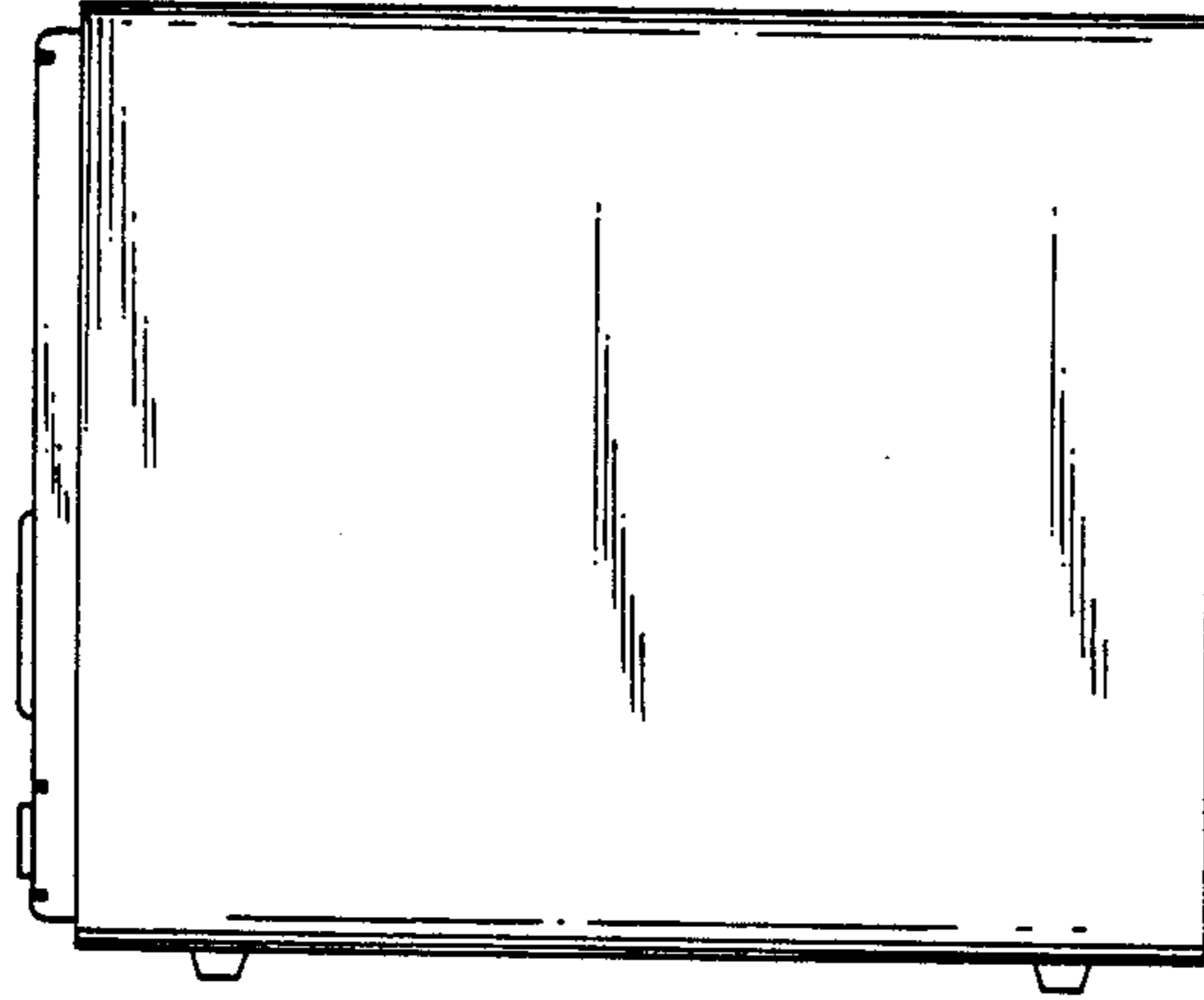


FIG. 7

