

[54] **MICROWAVE OVEN**

[75] **Inventor: Masayoshi Kawaishi, Osaka, Japan**

[73] **Assignee: Sharp Corporation, Osaka, Japan**

[*] **Notice:** The portion of the term of this patent subsequent to Feb. 2, 2002 has been disclaimed.

[**] **Term: 14 Years**

[21] **Appl. No.: 720,747**

[22] **Filed: Apr. 8, 1985**

[30] **Foreign Application Priority Data**

Oct. 3, 1984 [JP] Japan 59-41393
[52] **U.S. Cl.** D7/351
[58] **Field of Search** D7/348-351;
219/10.55 R, 10.55 B; 126/273 R, 275 R, 275 E

[56]

References Cited

U.S. PATENT DOCUMENTS

D. 251,052 2/1979 Kosako D7/351
D. 262,088 12/1981 Yamamura et al. D7/351
D. 268,162 3/1983 Yamamura et al. D7/351
D. 272,407 1/1984 Notbohm D7/351

Primary Examiner—Wallace R. Burke
Assistant Examiner—Ruth Takemoto
Attorney, Agent, or Firm—Flehr, Hohbach, Test, Albritton & Herbert

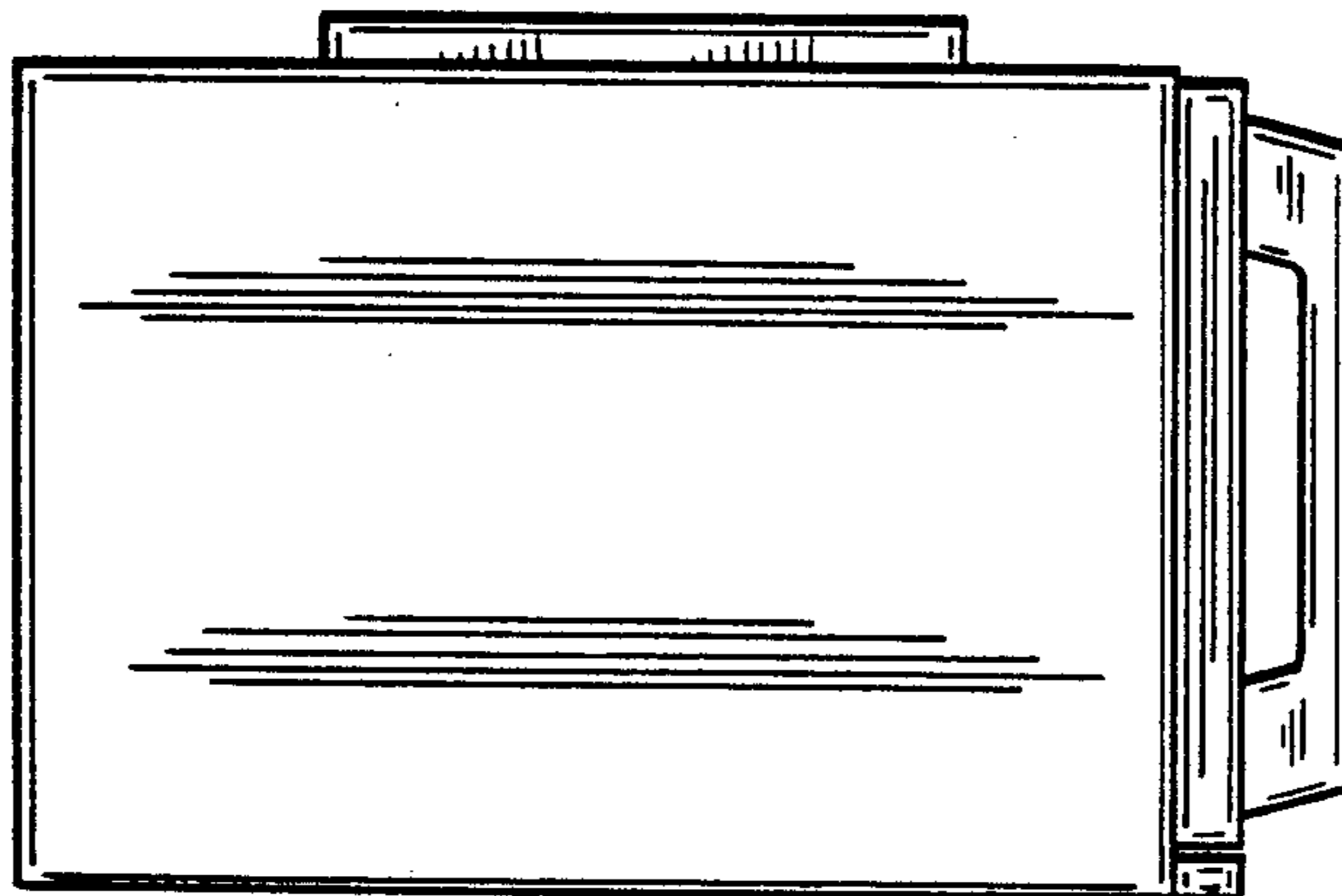
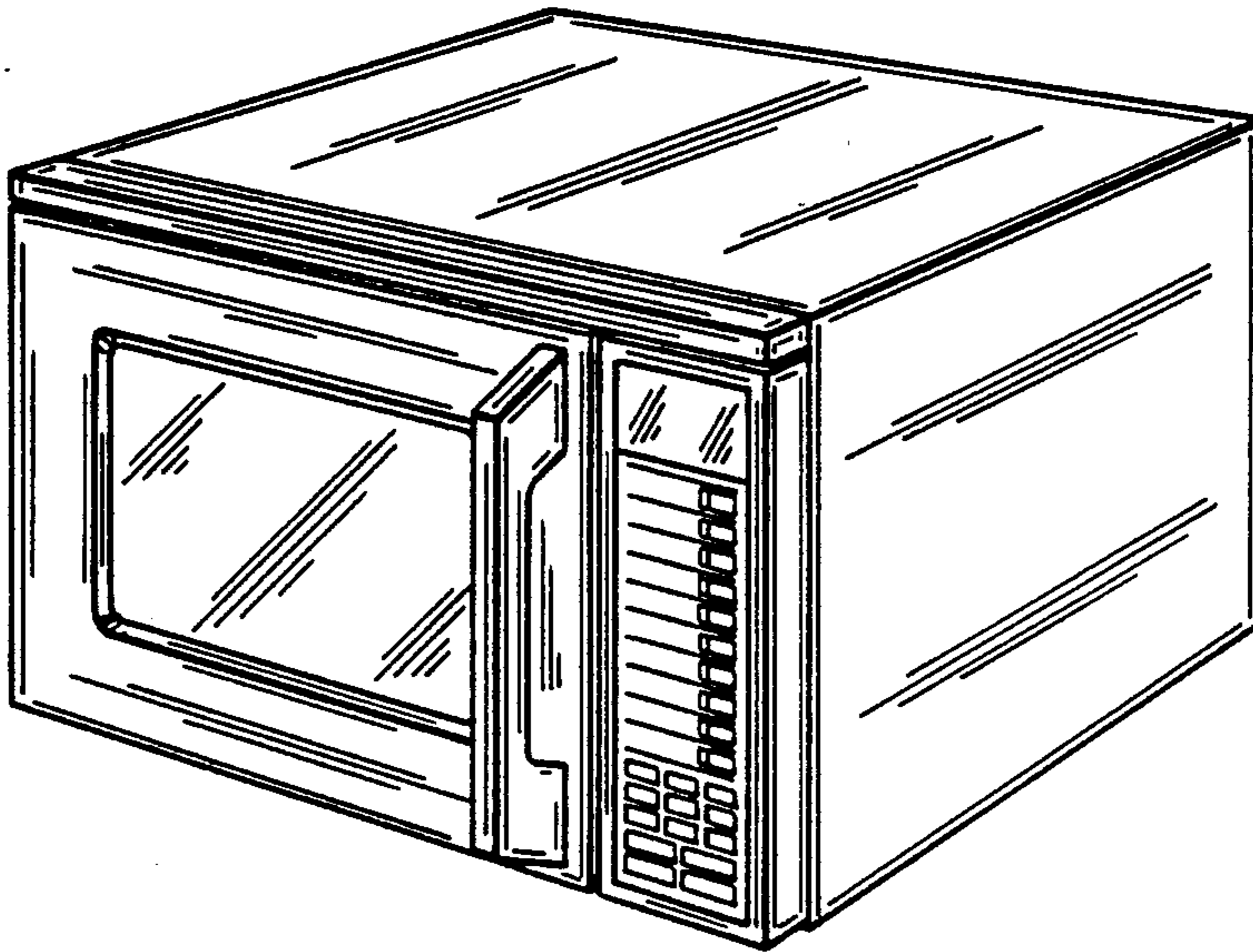
[57]

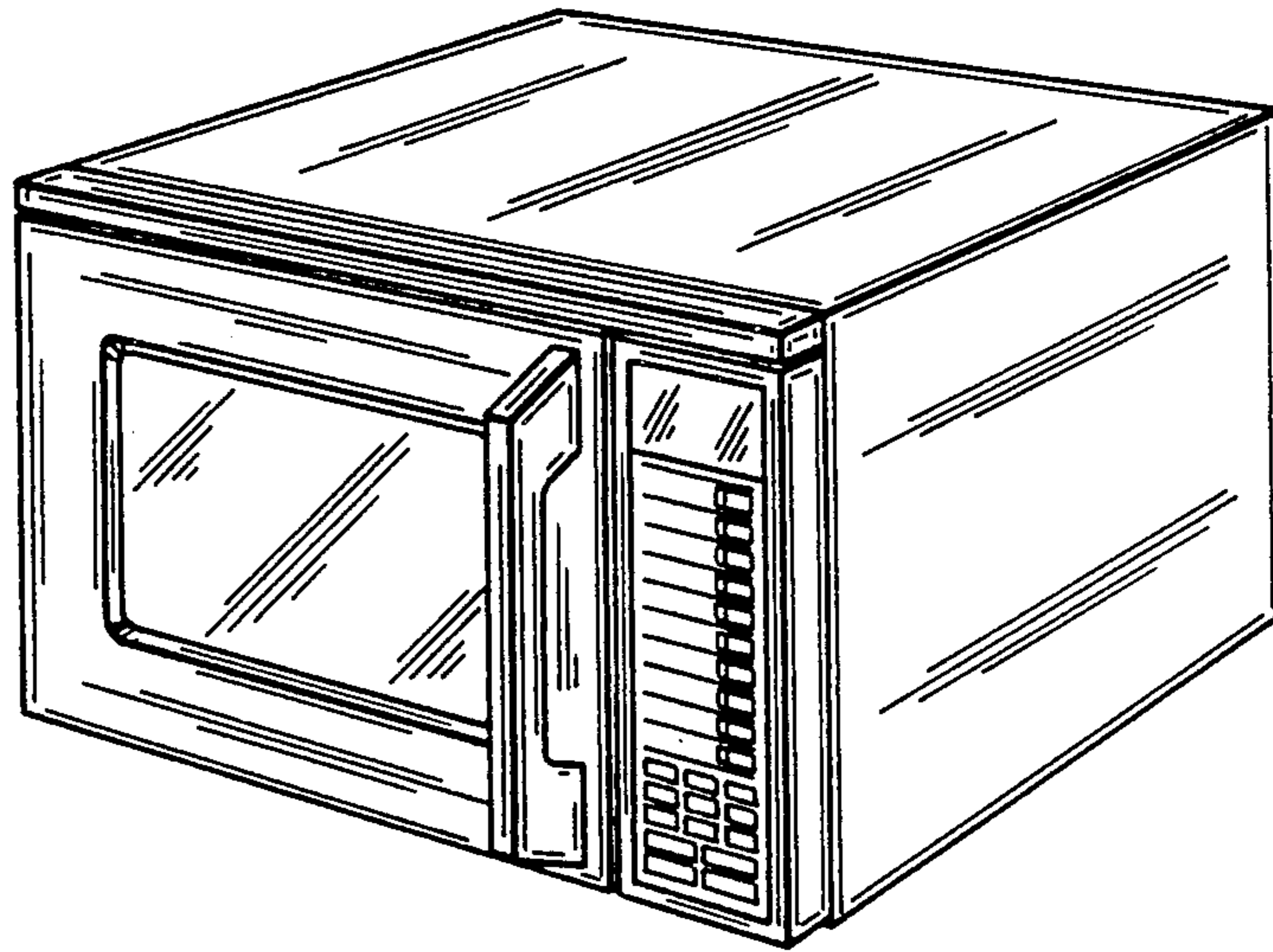
CLAIM

The ornamental design for a microwave oven, as shown and described.

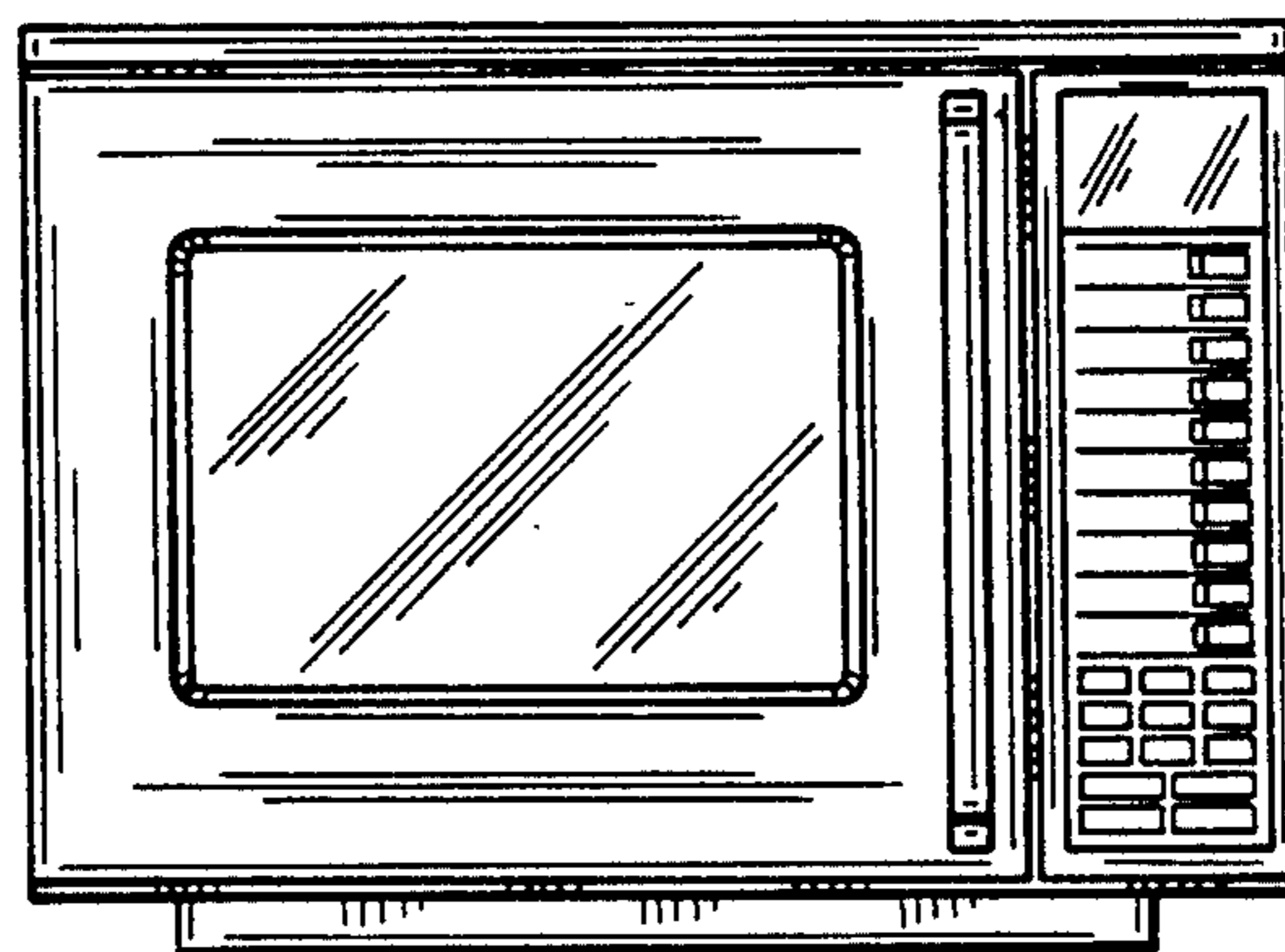
DESCRIPTION

FIG. 1 is a perspective view of the microwave oven showing my new design;
FIG. 2 is a front elevational view thereof;
FIG. 3 is a rear elevational view thereof;
FIG. 4 is a top plan view thereof;
FIG. 5 is a bottom plan view thereof;
FIG. 6 is a right side elevational view thereof; and
FIG. 7 is a left side elevational view thereof.

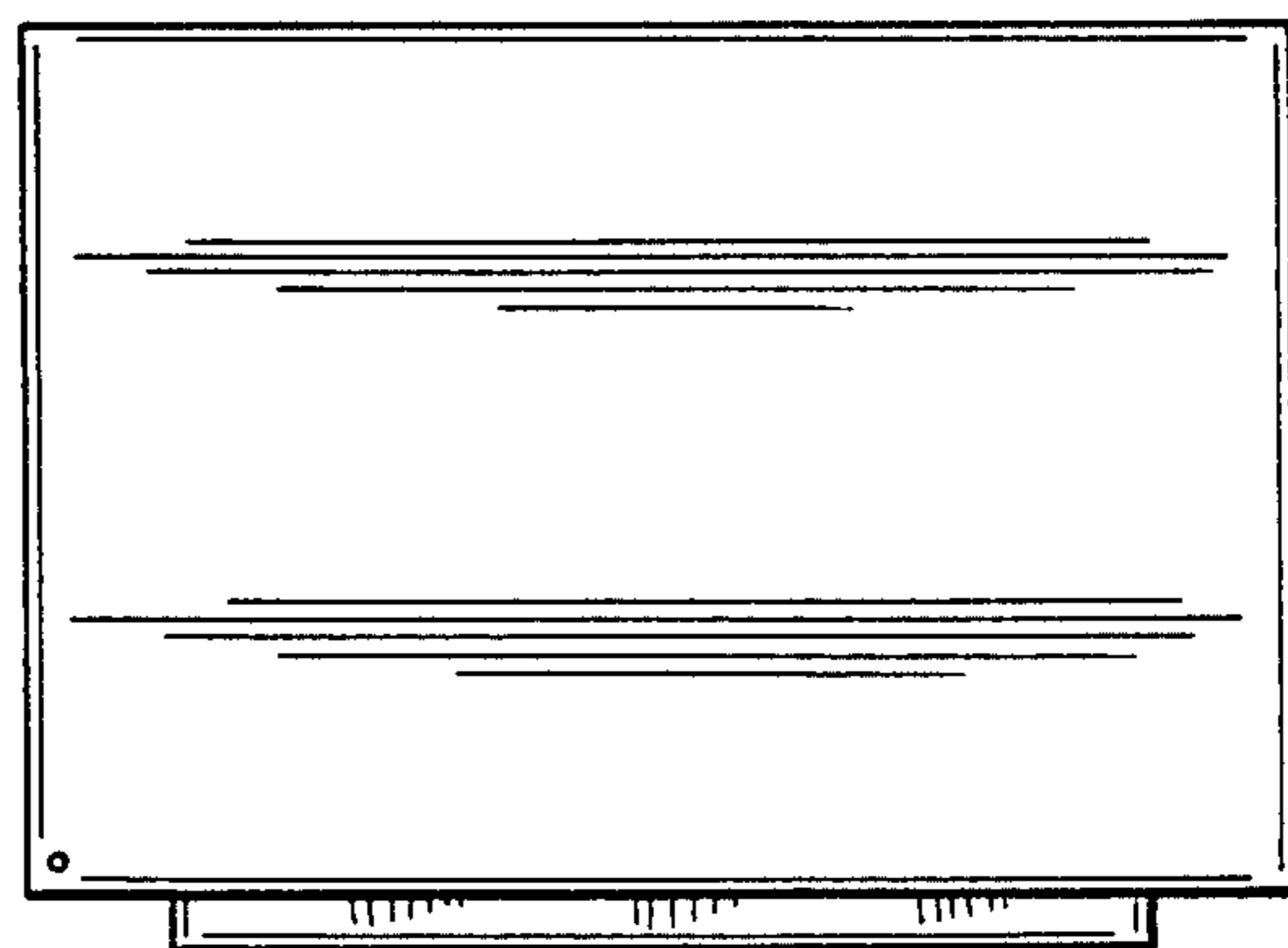




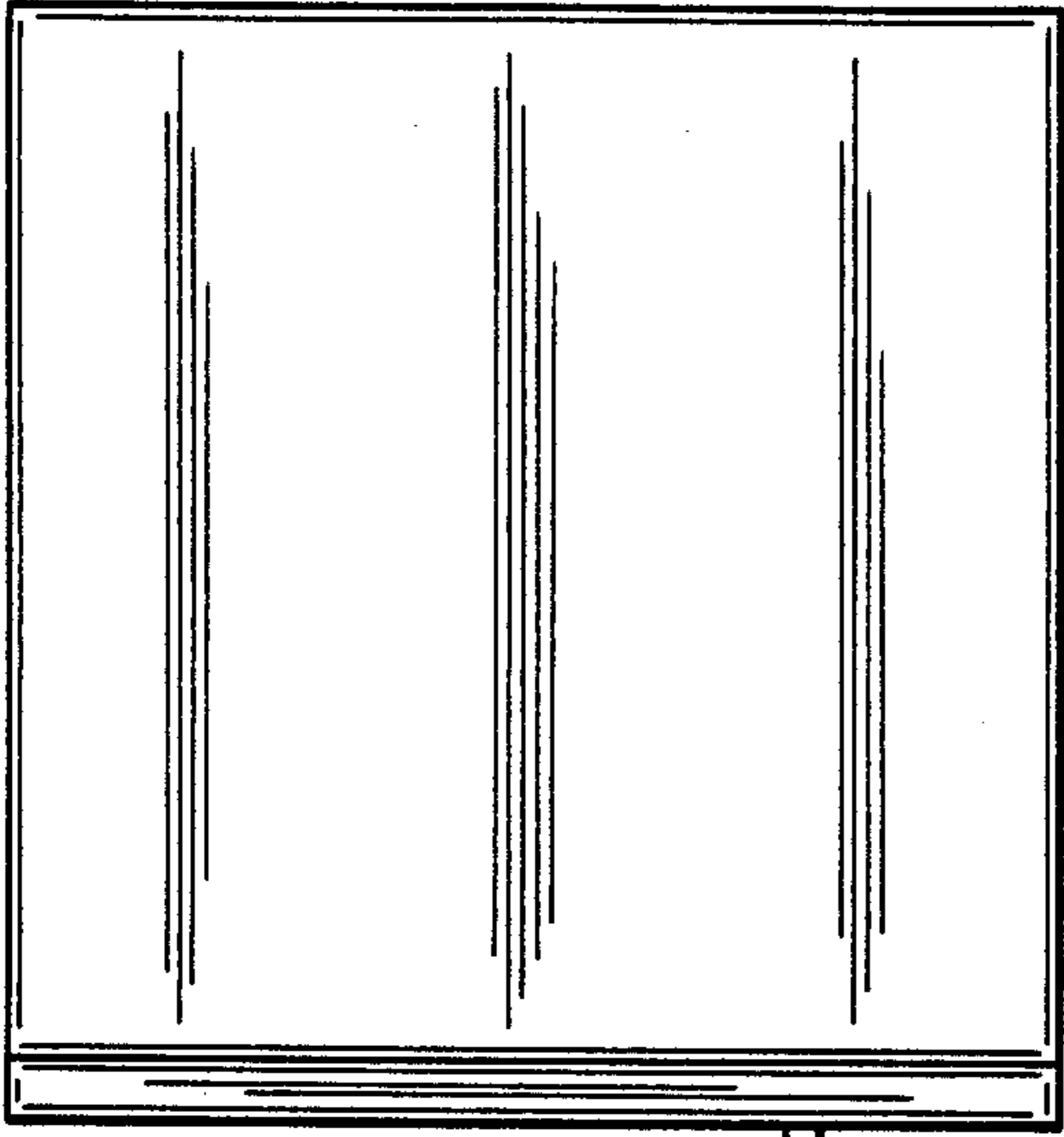
FIG_1



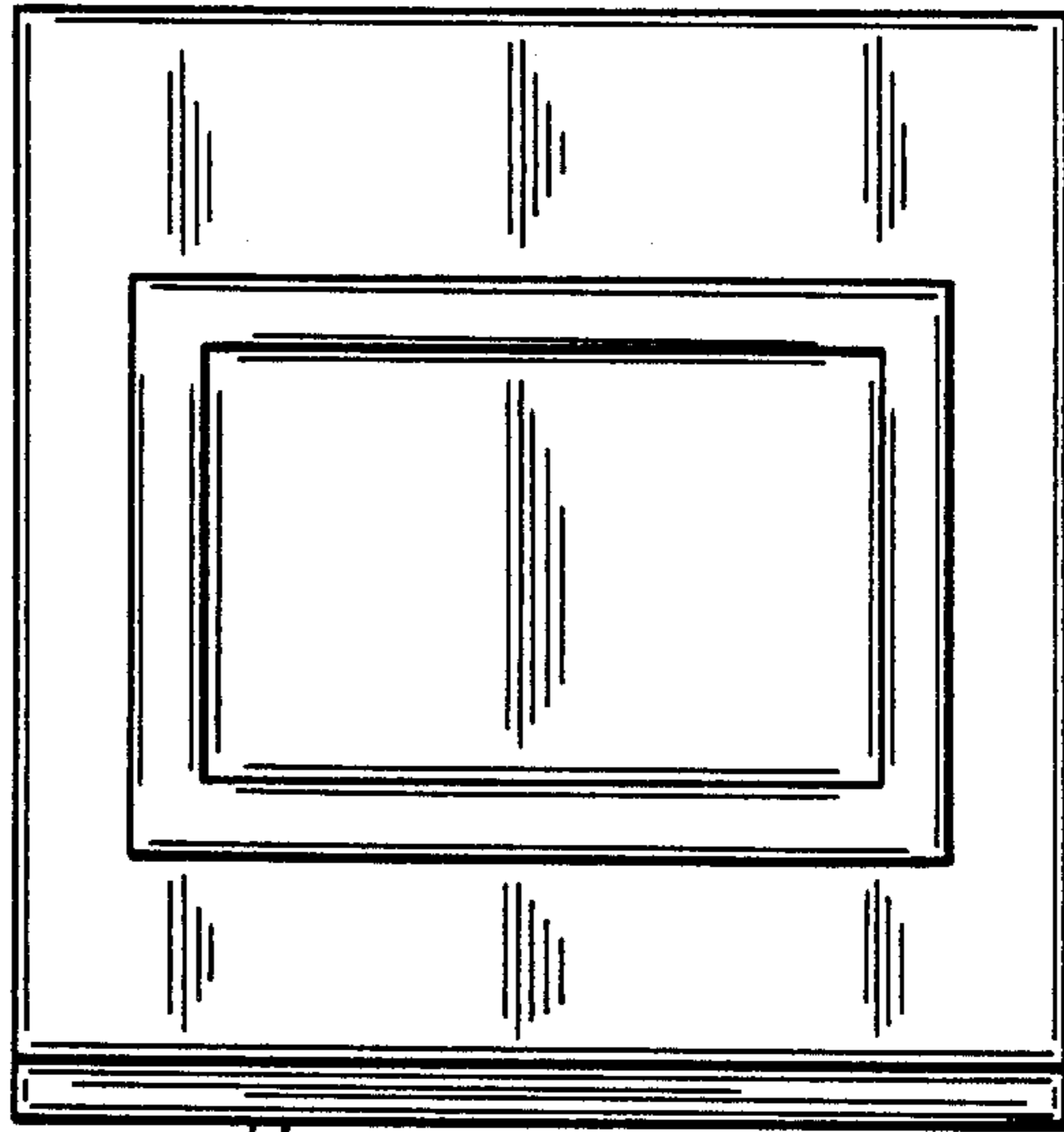
FIG_2



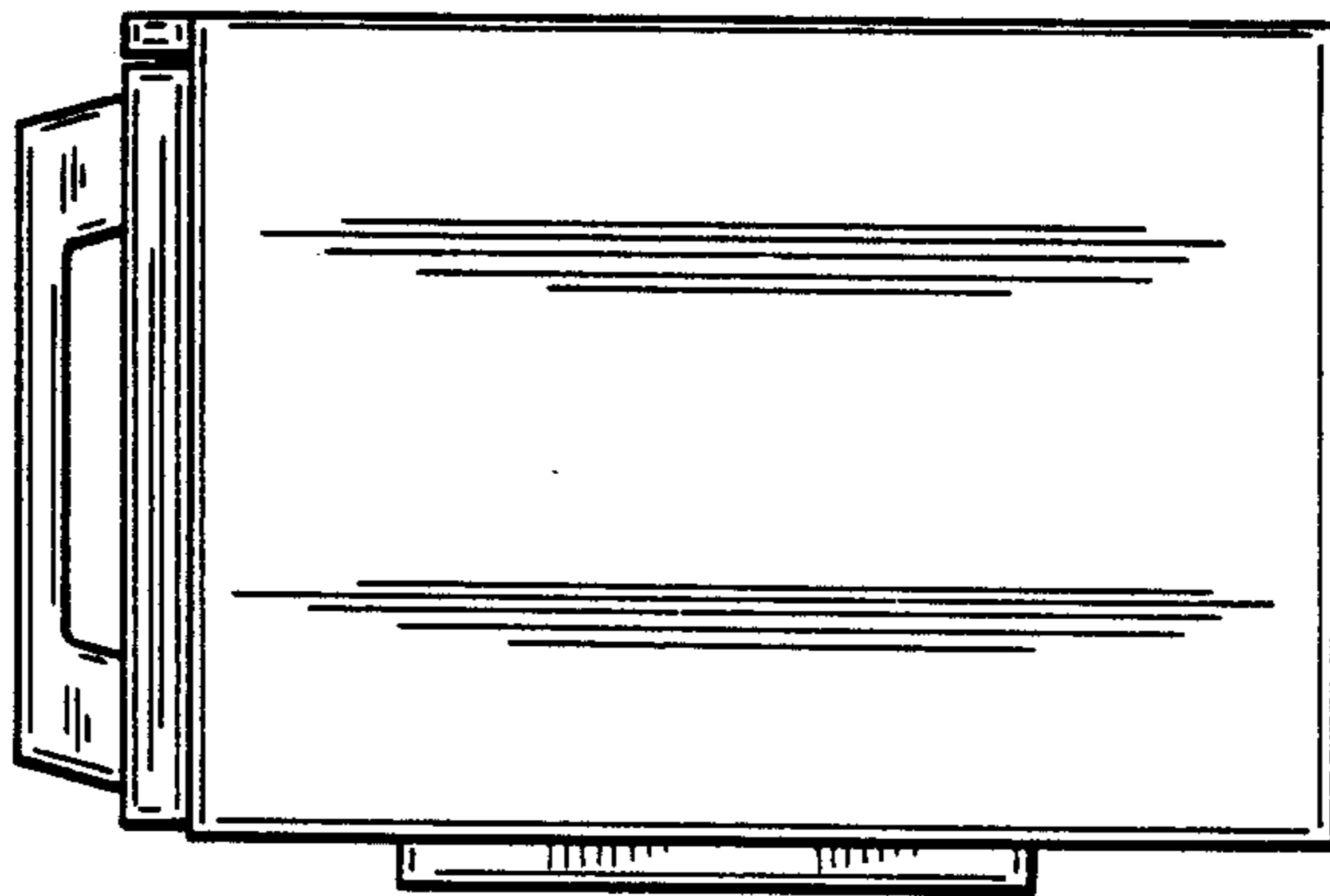
FIG_3



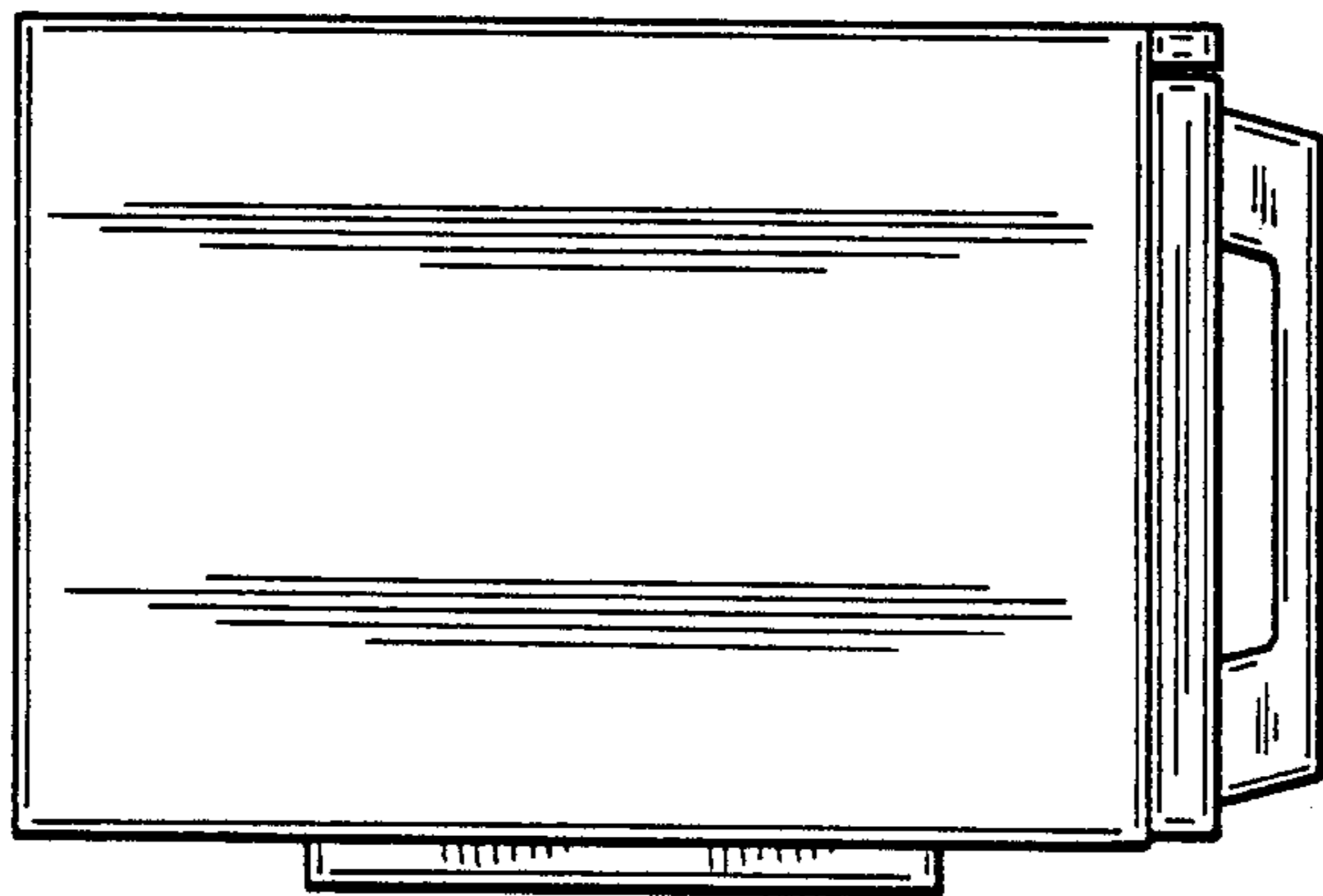
FIG_4



FIG_5



FIG_6



FIG_7