

# United States Patent [19]

Noyes et al.

[11] Patent Number: Des. 294,208

[45] Date of Patent: \*\* Feb. 16, 1988

[54] DISPLAY RACK

[76] Inventors: Androus D. Noyes, 452 Fairfield Beach Rd., Fairfield, Conn. 03064; Joseph T. Ricci, 37 Hearthstone Dr., Bethel, Conn. 06801

[\*\*] Term: 14 Years

[21] Appl. No.: 735,009

[22] Filed: May 17, 1985

[52] U.S. Cl. .... D6/457; D6/469

[58] Field of Search ..... D6/457, 455, 469; 211/13, 163, 54.1, 57.1, 59.1, 131

[56] References Cited

### U.S. PATENT DOCUMENTS

D. 37,304 1/1905 Palmer ..... D6/455  
2,868,386 1/1959 Seyforth ..... D6/457 X

3,092,258 6/1963 Bleed ..... 211/163  
3,223,247 12/1965 Bleed ..... 211/163  
4,157,760 6/1979 Wilson ..... 211/13

Primary Examiner—Carmen H. Vales  
Attorney, Agent, or Firm—Ronald S. Cornell

### [57] CLAIM

The ornamental design for a display rack, substantially as shown and described.

### DESCRIPTION

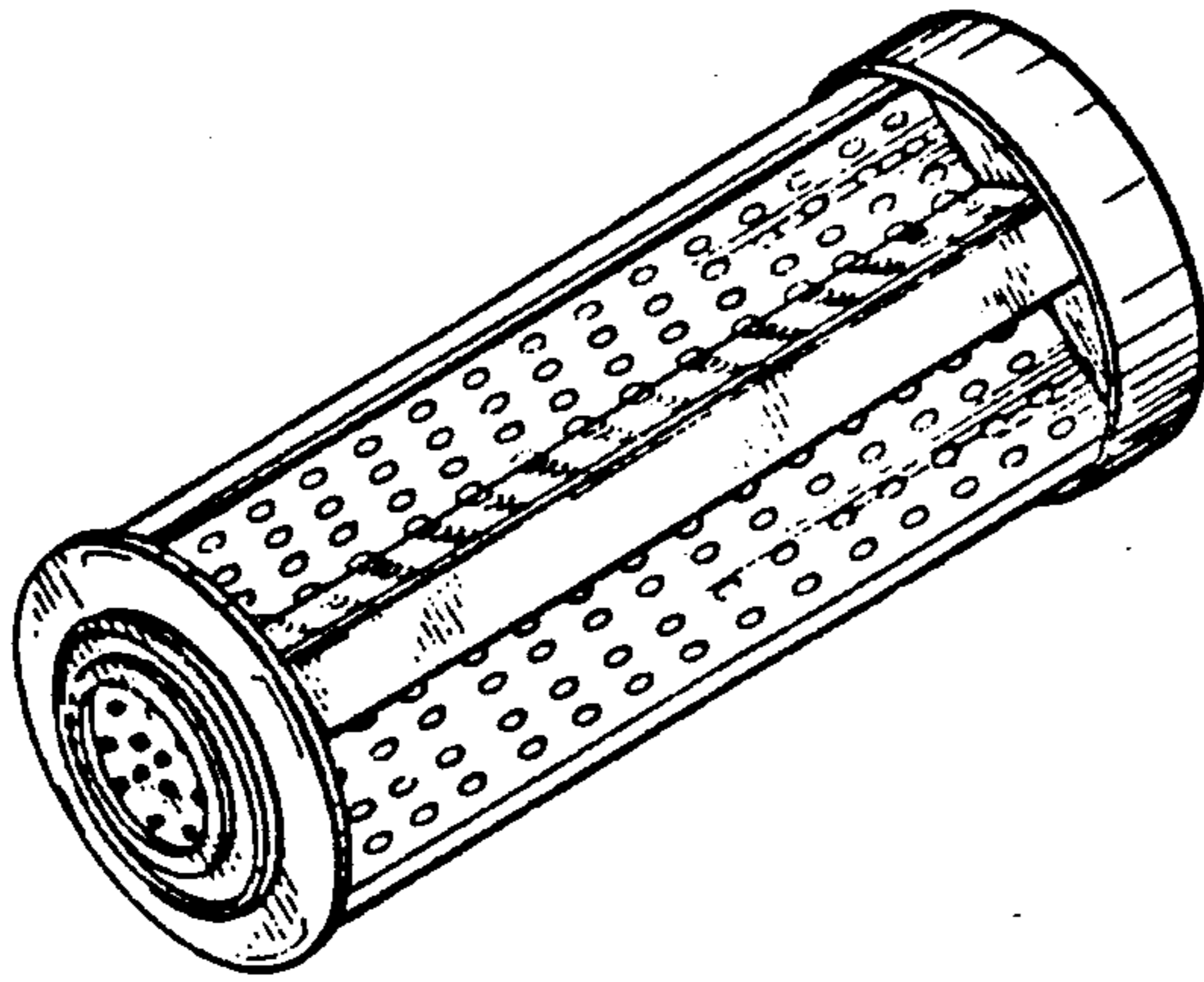
FIG. 1 is a side elevational view of the display rack showing my new design; the other sides being identical thereto;

FIG. 2 is a perspective view thereof;

FIG. 3 is a bottom plan view thereof;

FIG. 4 is a top plan view thereof; and

FIG. 5 is a top plan view with the cap removed for convenience of illustration.



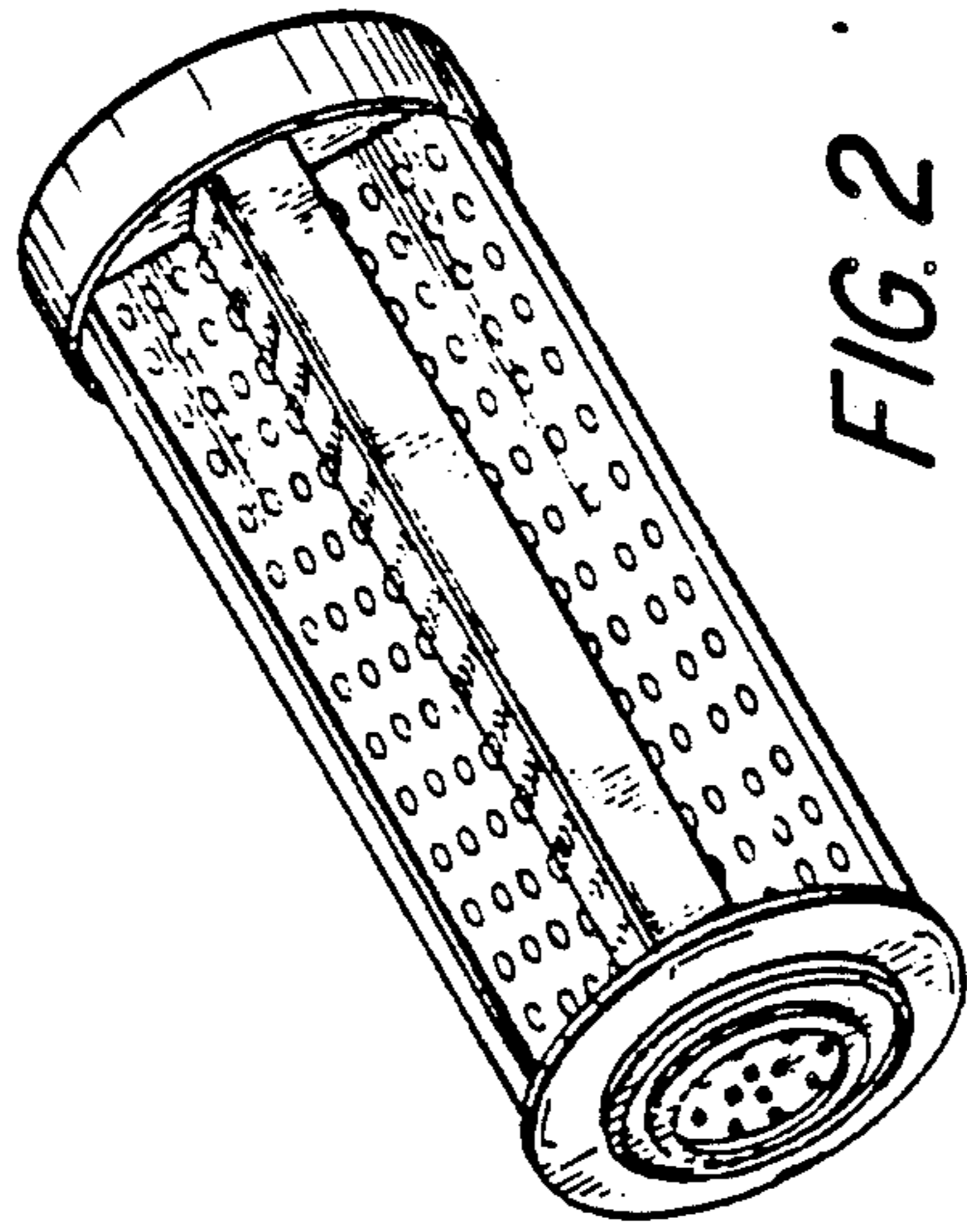


FIG. 2

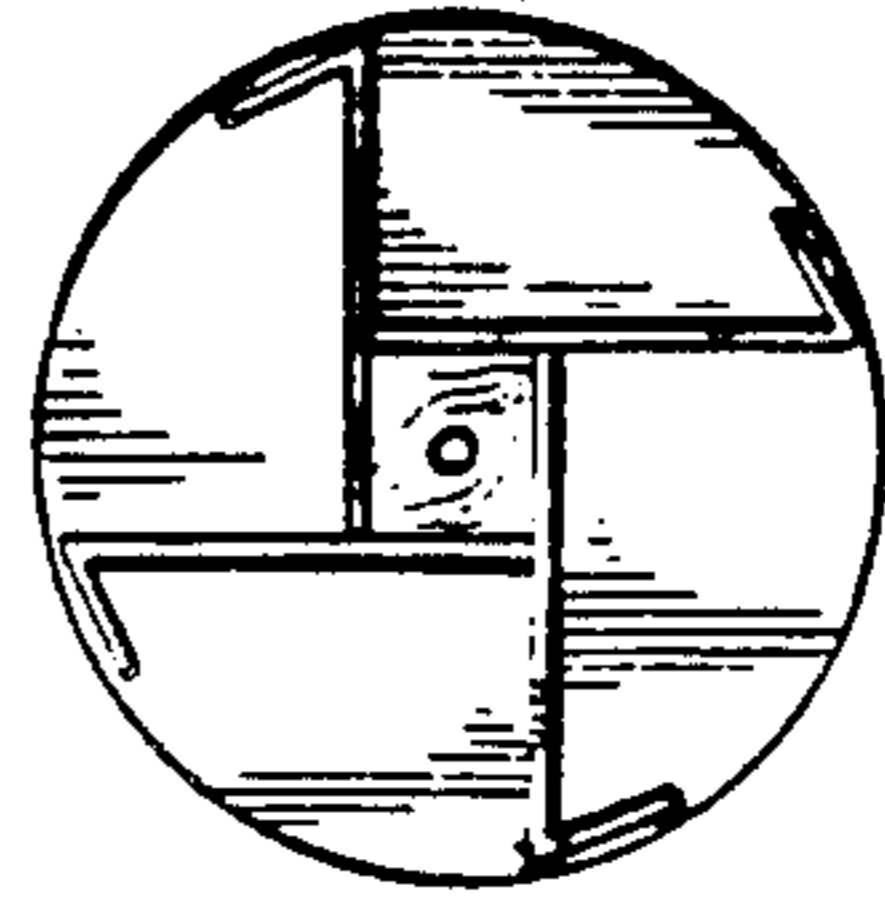


FIG. 5

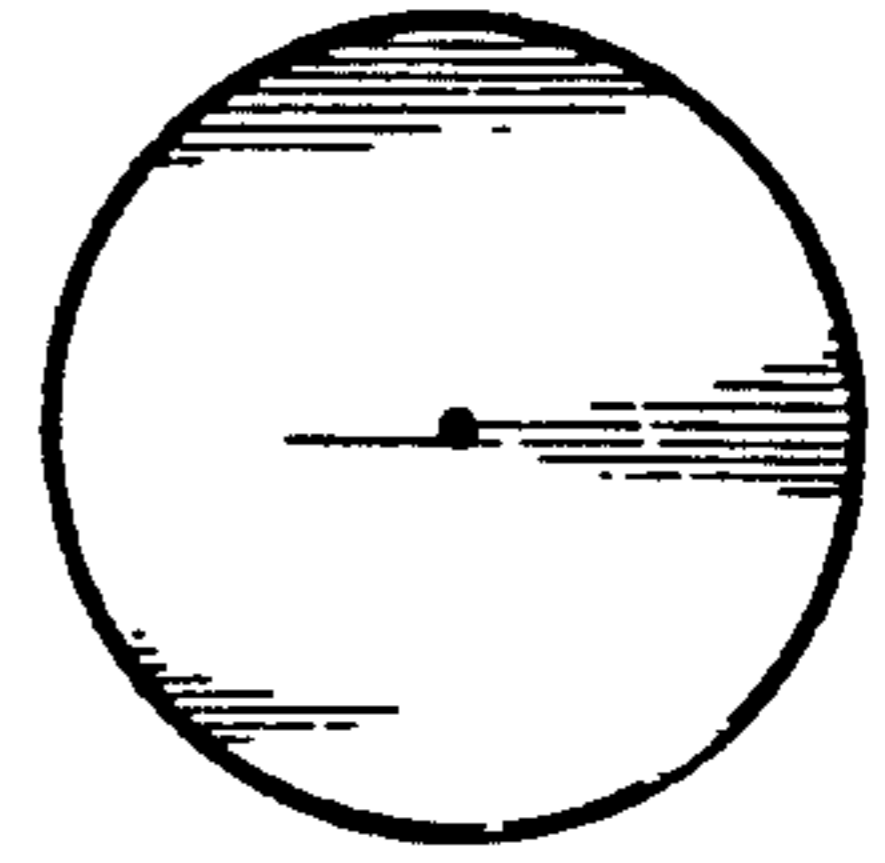


FIG. 4

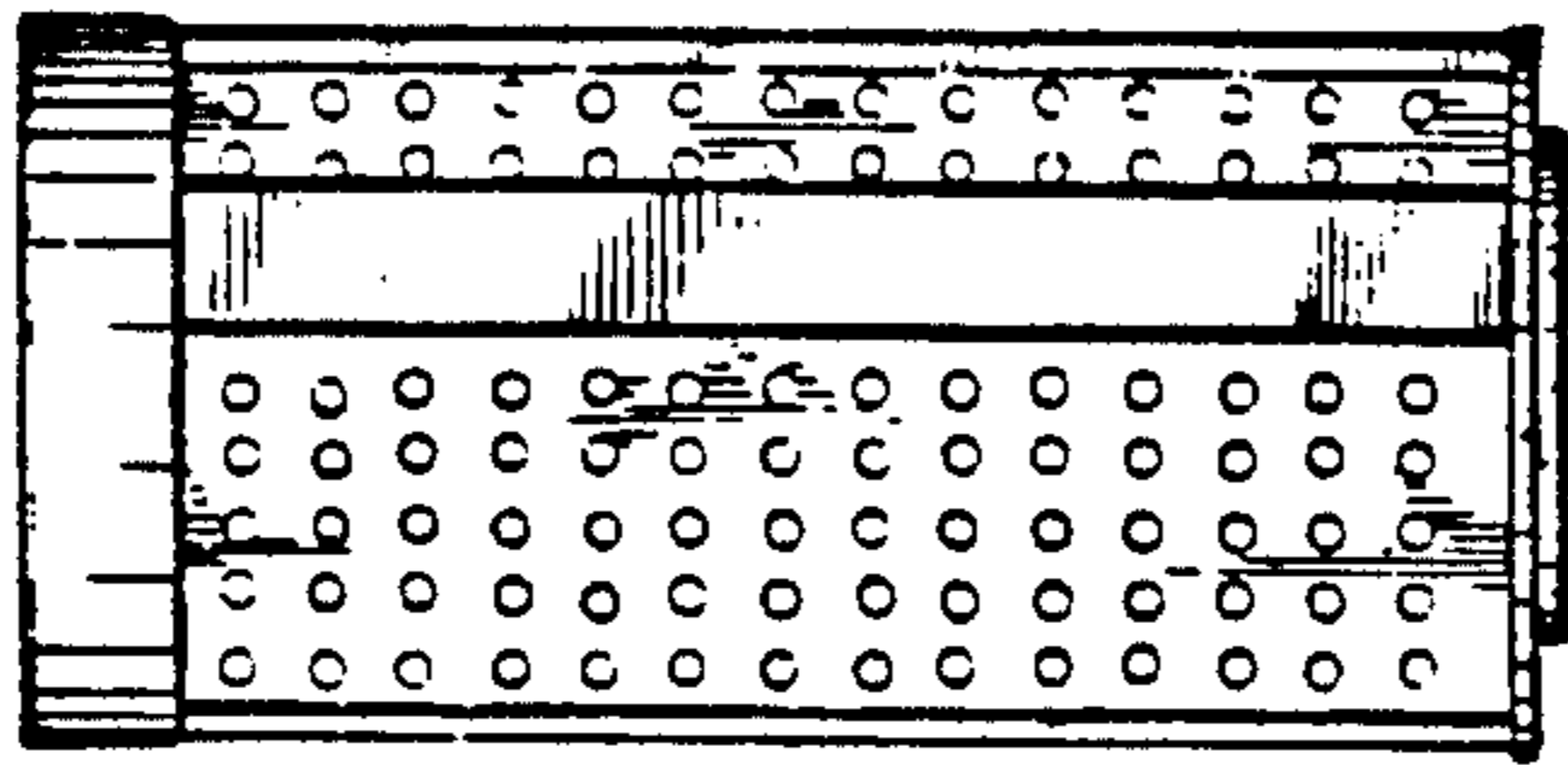


FIG. 1

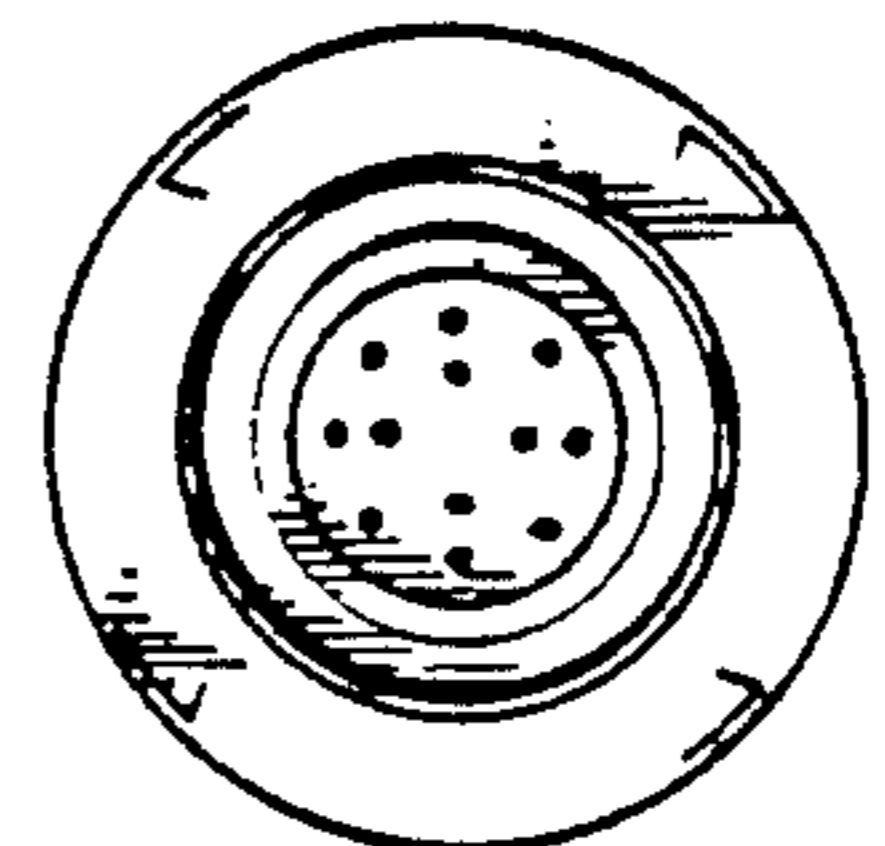


FIG. 3