

[54] **CASSETTE STORAGE RACK**

[76] **Inventor: David M. Stravitz, 16 Park Ave.,  
New York, N.Y. 10016**

[\*] **Notice: The portion of the term of this patent  
subsequent to May 19, 2001 has been  
disclaimed.**

[\*\*] **Term: 14 Years**

[21] **Appl. No.: 741,156**

[22] **Filed: Jun. 4, 1985**

**Related U.S. Application Data**

- [63] Continuation-in-part of Ser. No. 603,107, Apr. 23,  
1984, Pat. No. Des. 289,833.
- [52] **U.S. Cl. .... D6/407**
- [58] **Field of Search ..... D6/407, 449, 477, 478,  
D6/479; 206/387; 108/92, 94, 96, 98, 108, 111;  
D3/35**

[56]

**References Cited**

**U.S. PATENT DOCUMENTS**

D. 289,833 5/1987 Stravitz ..... D6/407

**OTHER PUBLICATIONS**

*Lyon Steel Equipment* p. 31; back and end stops #2602  
top right on page.

*Primary Examiner*—Carmen H. Vales  
*Attorney, Agent, or Firm*—Frishauf, Holtz, Goodman &  
Woodward

[57]

**CLAIM**

The ornamental design for a cassette storage rack, as  
shown and described.

**DESCRIPTION**

FIG. 1 is a front elevational view of a cassette storage  
rack showing my new design;  
FIG. 2 is a bottom plan view thereof;  
FIG. 3 is a rear elevational view thereof;  
FIG. 4 is a top plan view thereof;  
FIG. 5 is a right side elevational view the left side being  
a mirror image thereof; and  
FIG. 6 is a perspective view thereof;

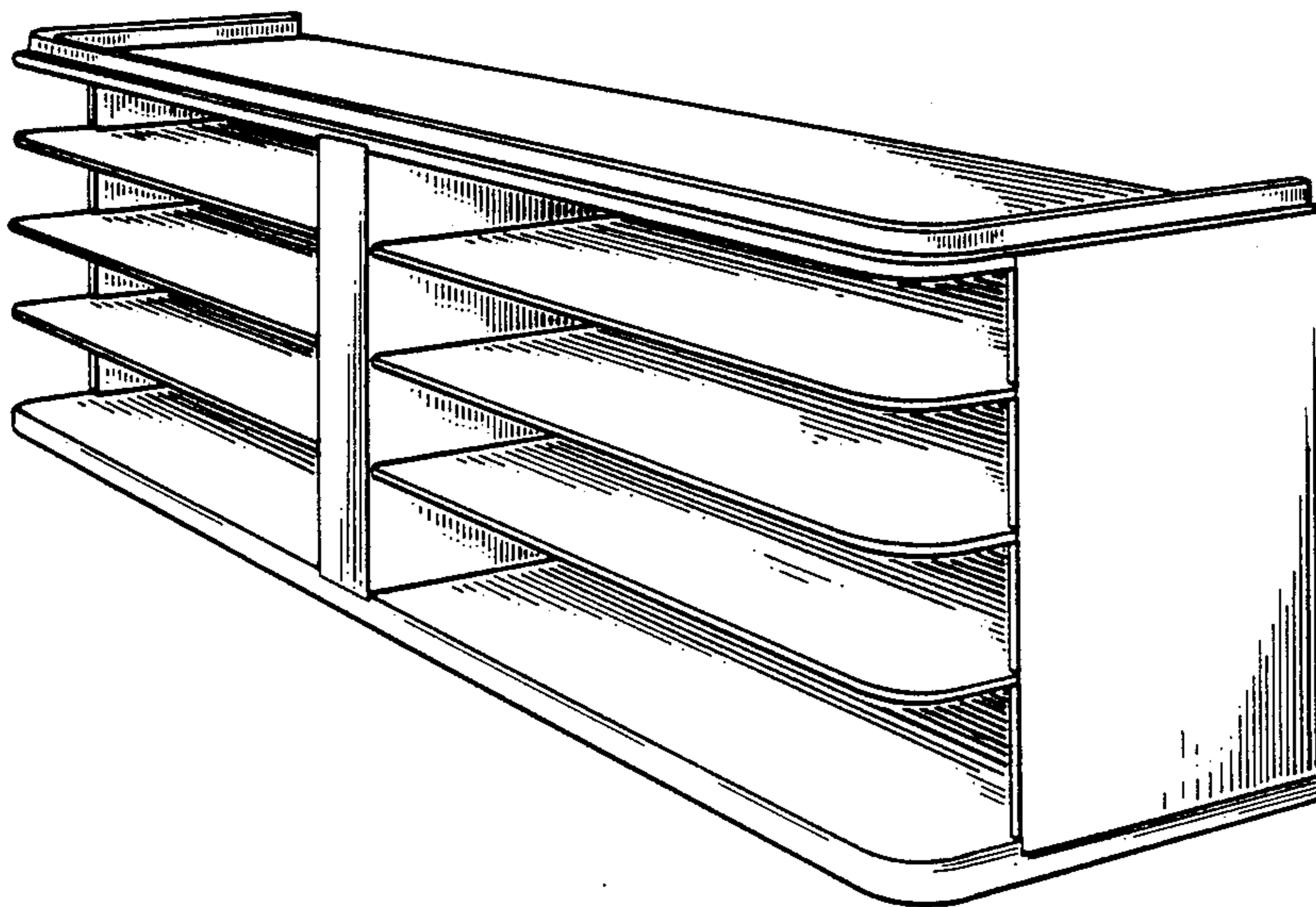


FIG. 1

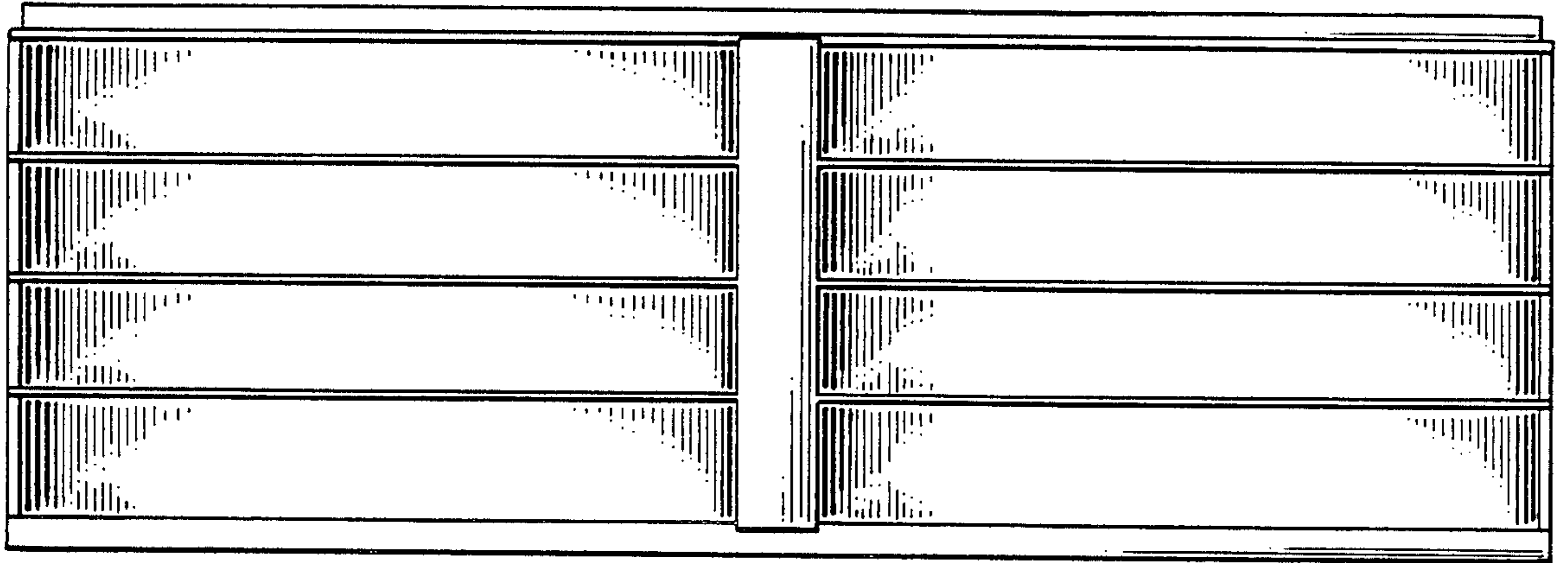


FIG. 2

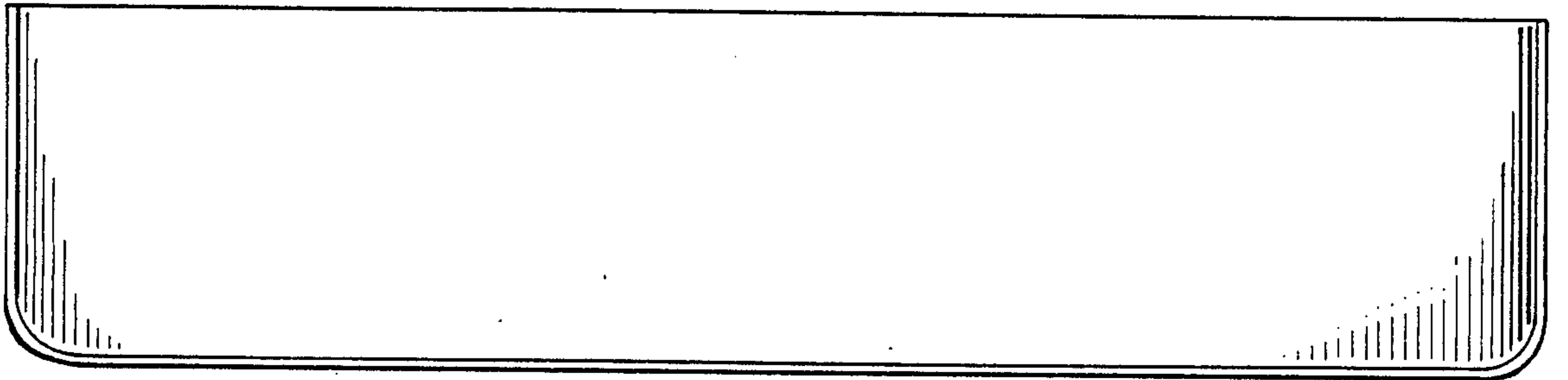


FIG. 3

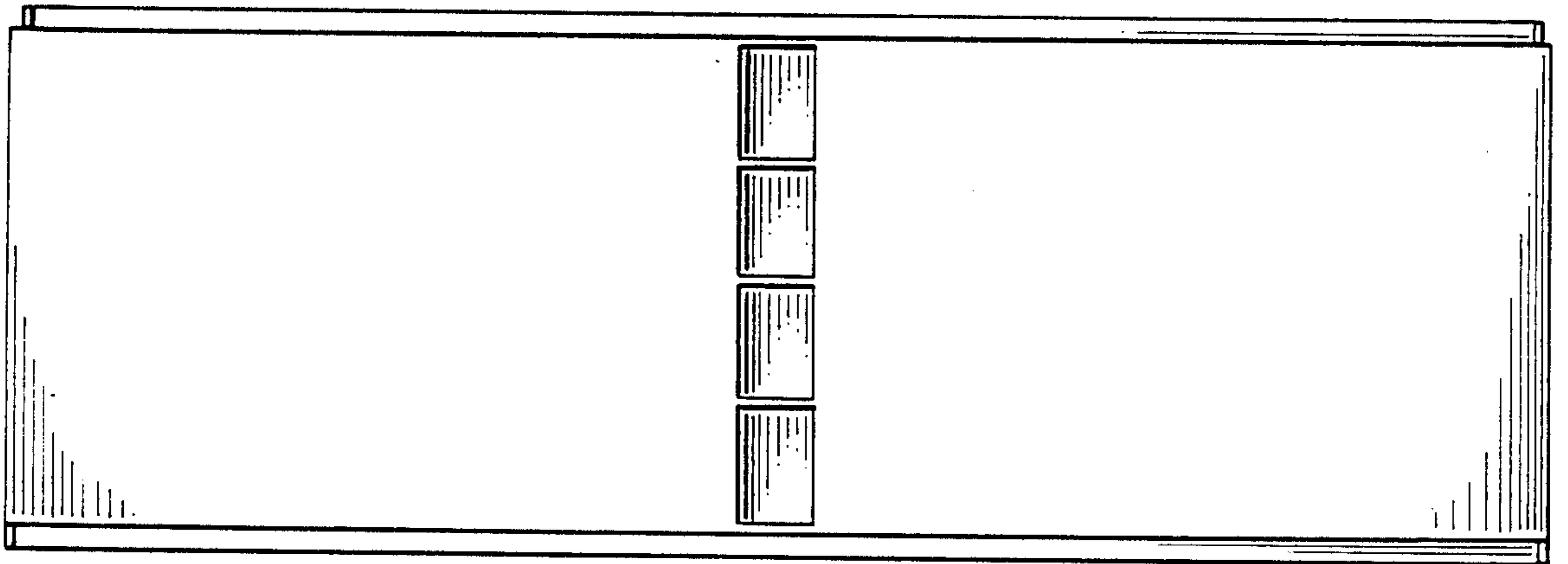
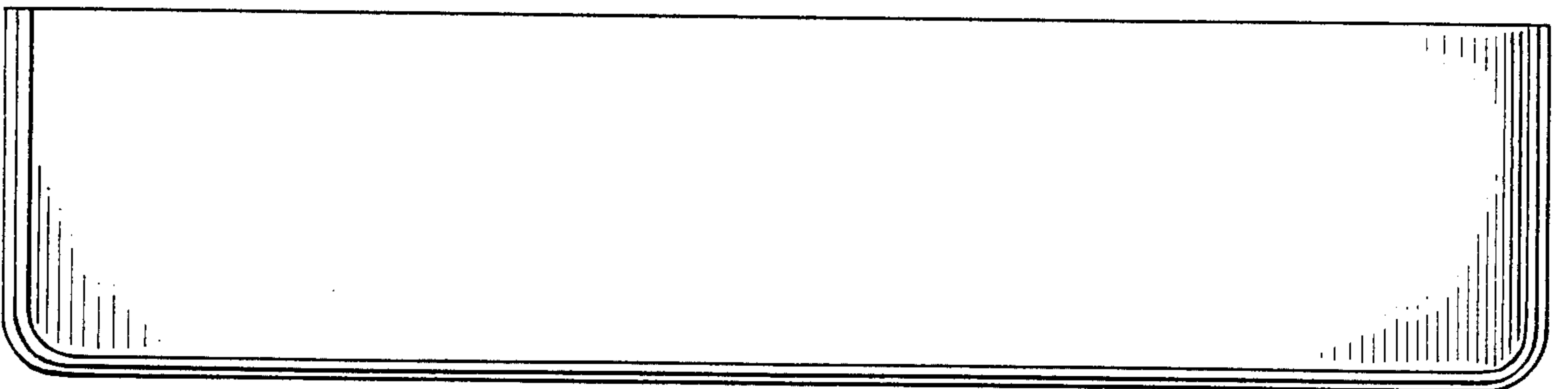


FIG. 4



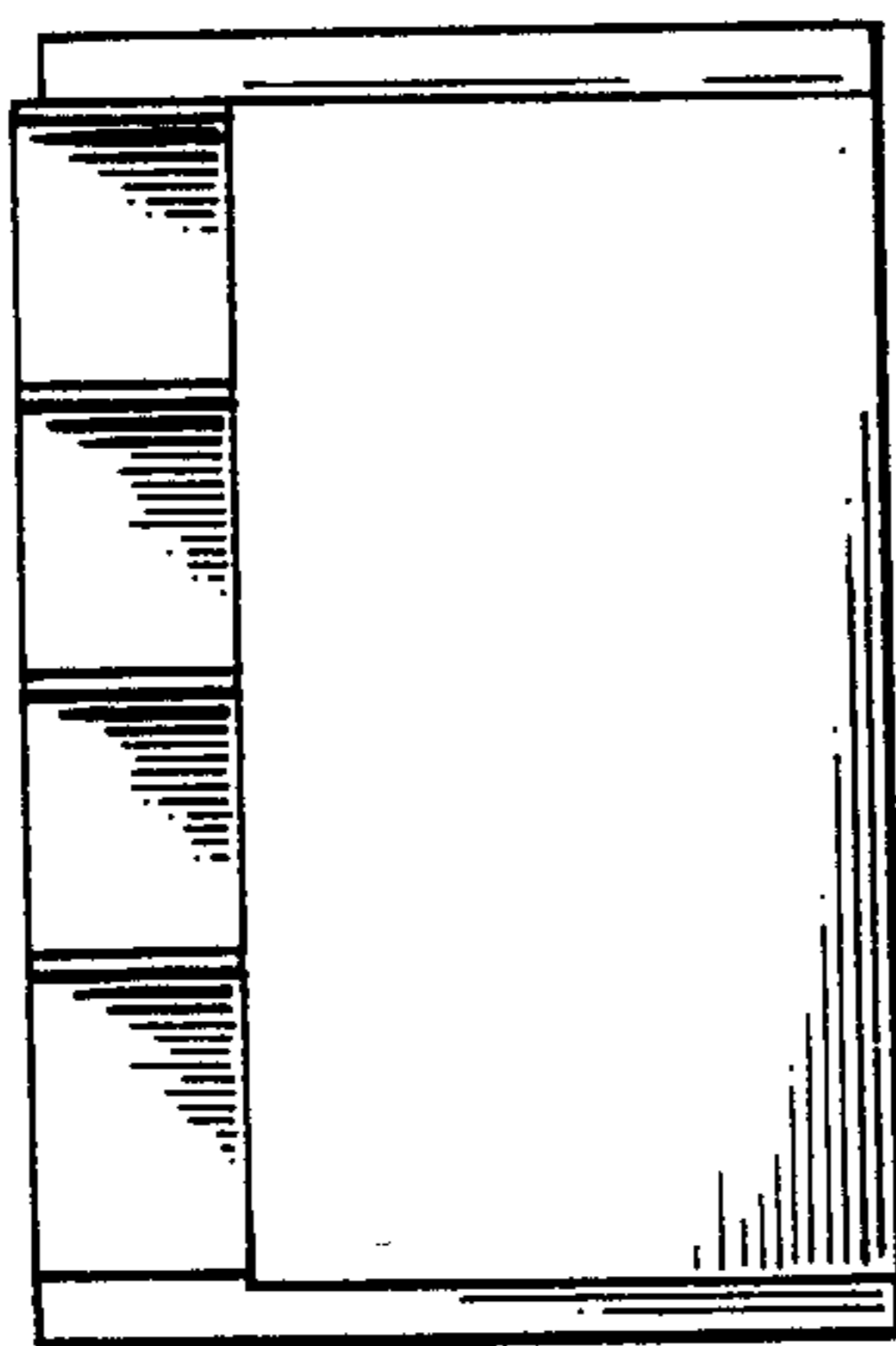


FIG. 5

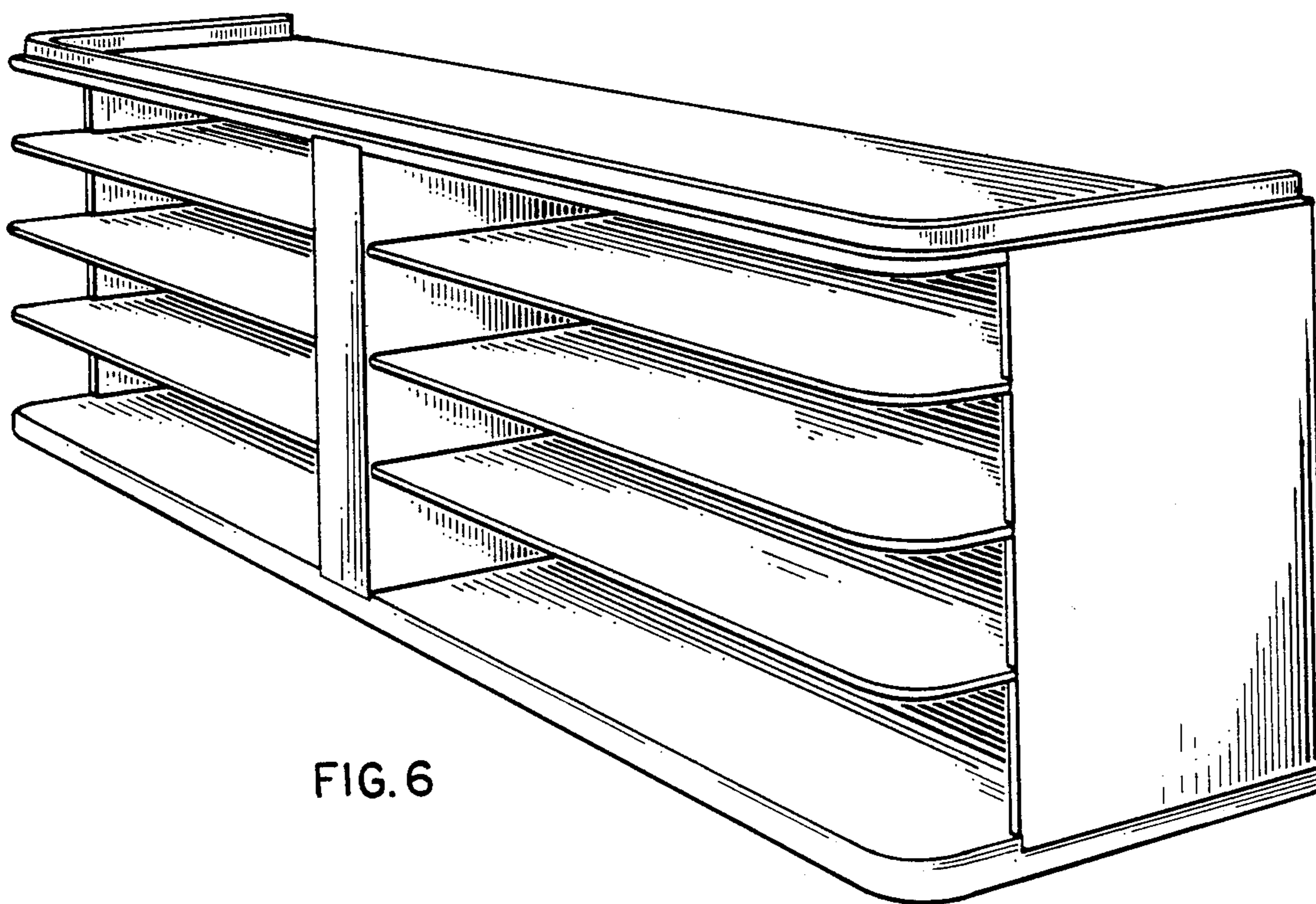


FIG. 6