

[54] PORTABLE DESK

[76] Inventor: Vicki L. Schmidgall, R.R. #1,
Queenwood Rd., Morton, Ill. 61550

[**] Term: 14 Years

[21] Appl. No.: 708,163

[22] Filed: Mar. 4, 1985

[52] U.S. Cl. D6/406; D3/75;
D6/338; D6/432; D6/491

[58] Field of Search D6/419, 420, 421, 422,
D6/423-431, 338, 341, 406, 491; 312/194, 195,
196; 297/17; D19/35; D3/75

[56] References Cited

U.S. PATENT DOCUMENTS

D. 190,588 6/1961 Christenson, Jr. et al. D6/341
D. 226,999 5/1973 Jessen D6/420 X

D. 235,458 6/1975 Reiling, Jr. D6/420 X
D. 249,407 9/1978 Ambasz D6/341
D. 285,392 9/1986 Thompson D6/425 X
4,538,861 9/1985 Hughes, Jr. D6/425 X
4,577,788 3/1986 Richardson D6/419 X

Primary Examiner—Carmen H. Vales

[57] CLAIM

The ornamental design for a portable desk, as shown and described.

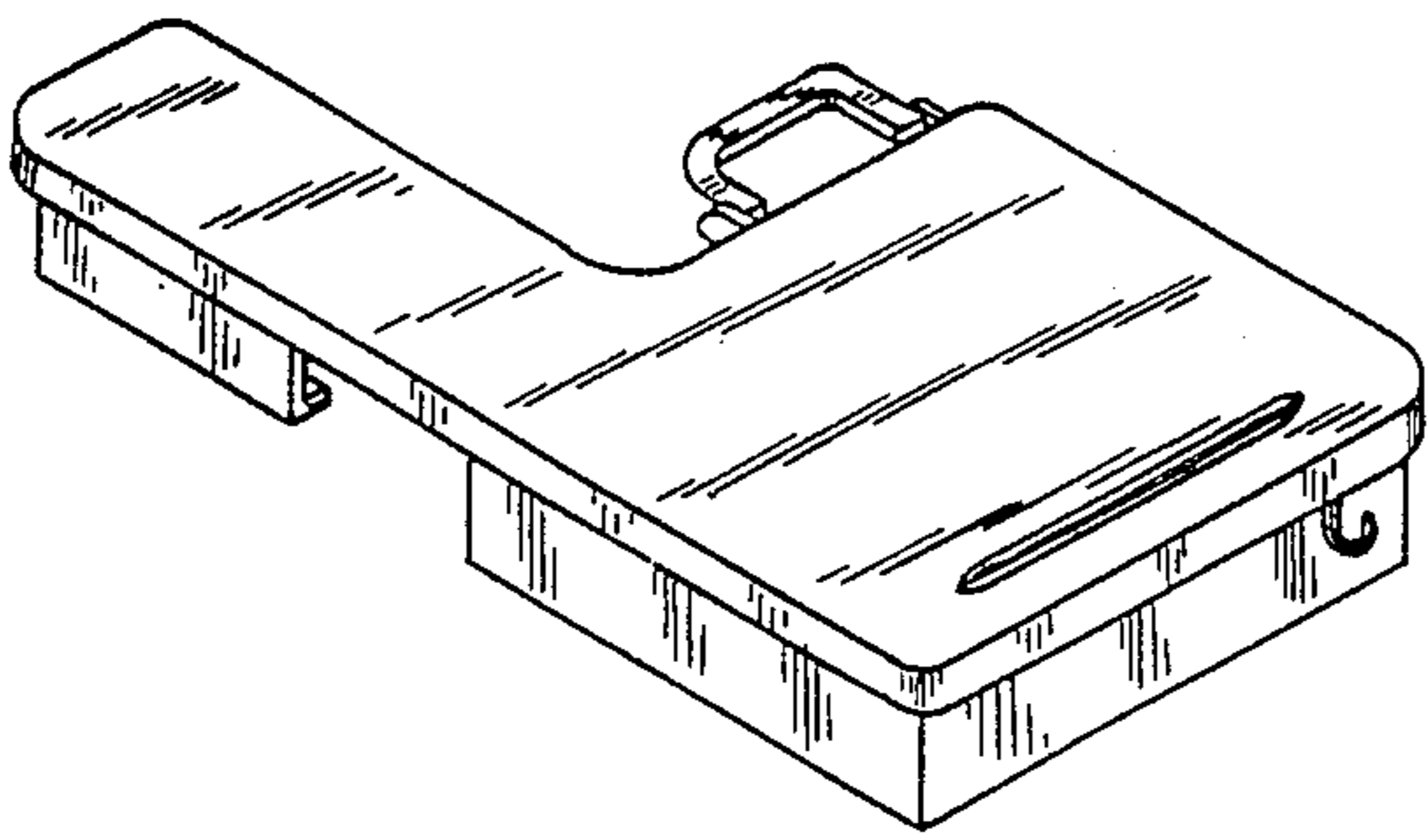
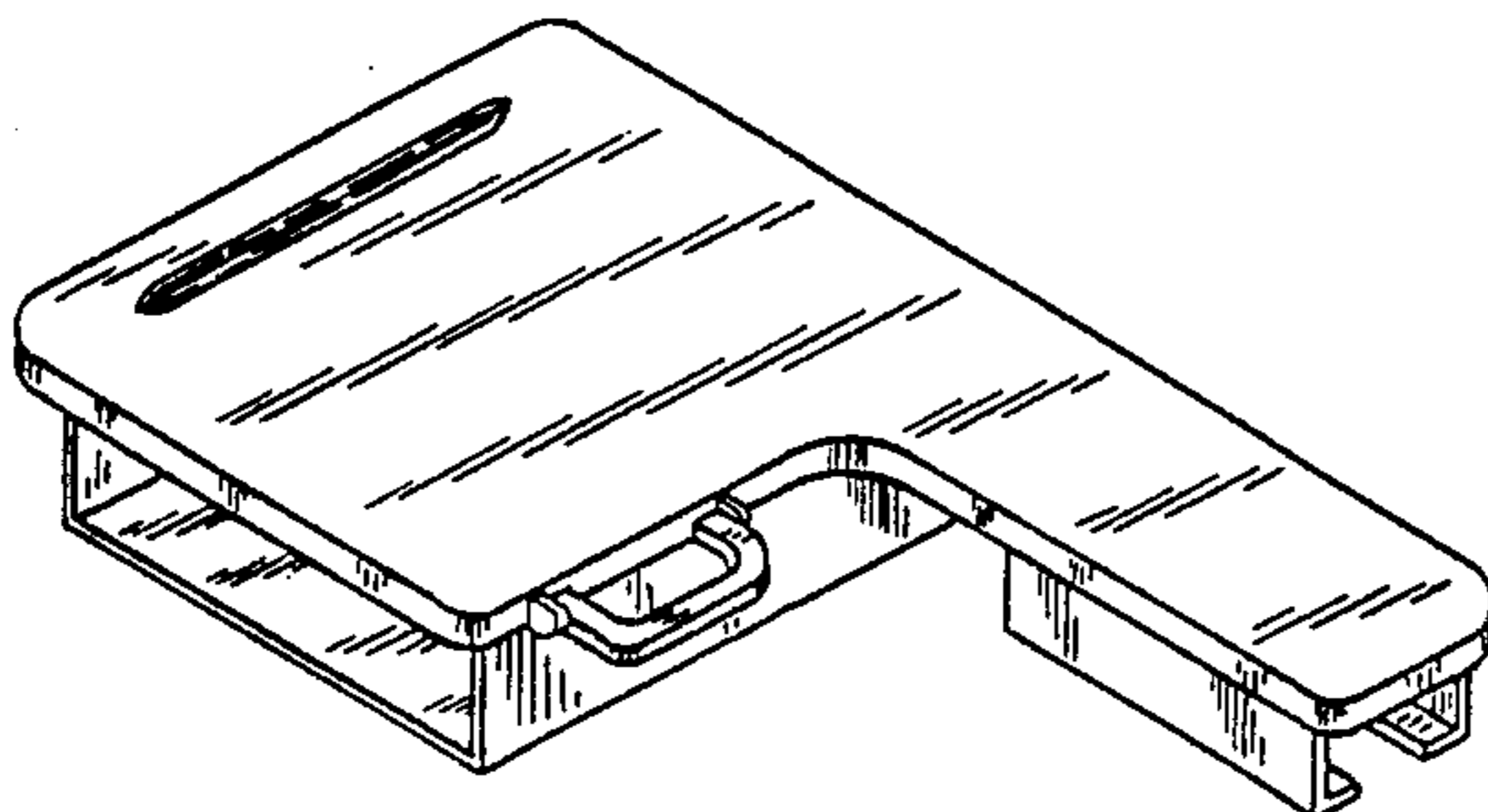
DESCRIPTION

FIG. 1 is a front perspective view of a portable desk showing my new design;

FIG. 2 is a rear perspective view thereof;

FIG. 3 is a rear perspective view with the extendable support arm in position of use; the broken line showing of a chair is for illustrative purposes only and forms no part of the claimed design; and

FIG. 4 is a side elevational view thereof.



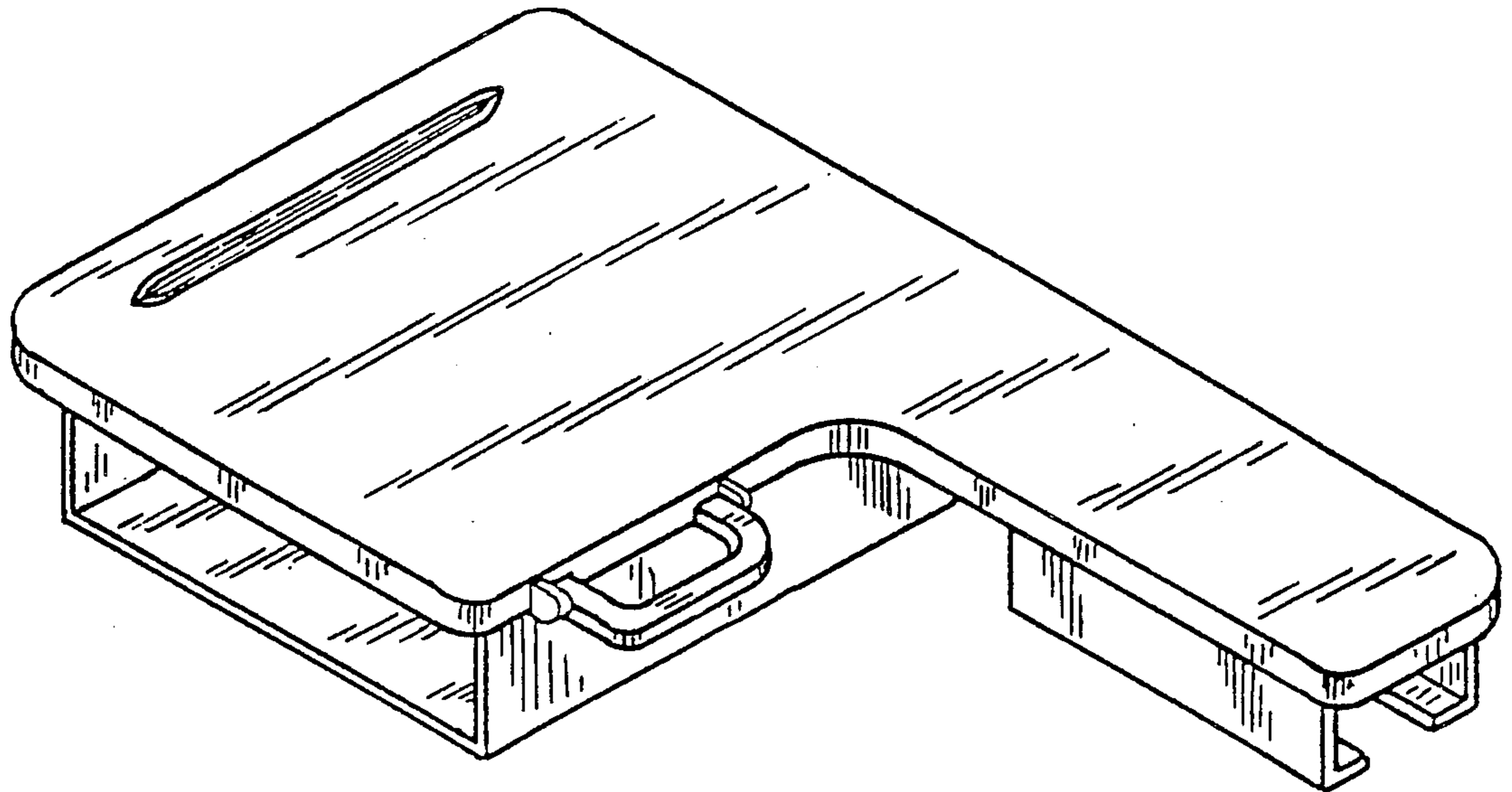


FIG. 1

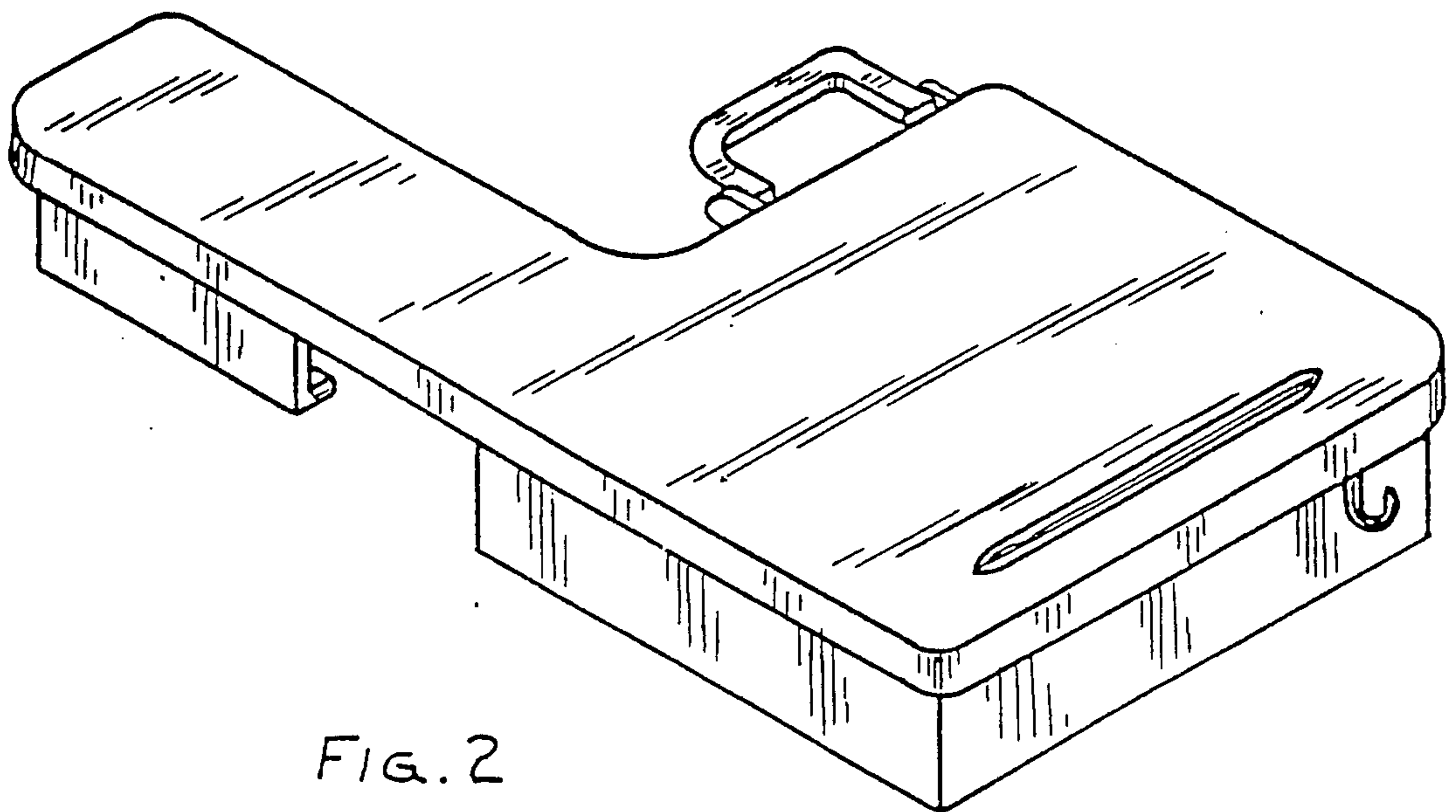


FIG. 2

FIG. 3

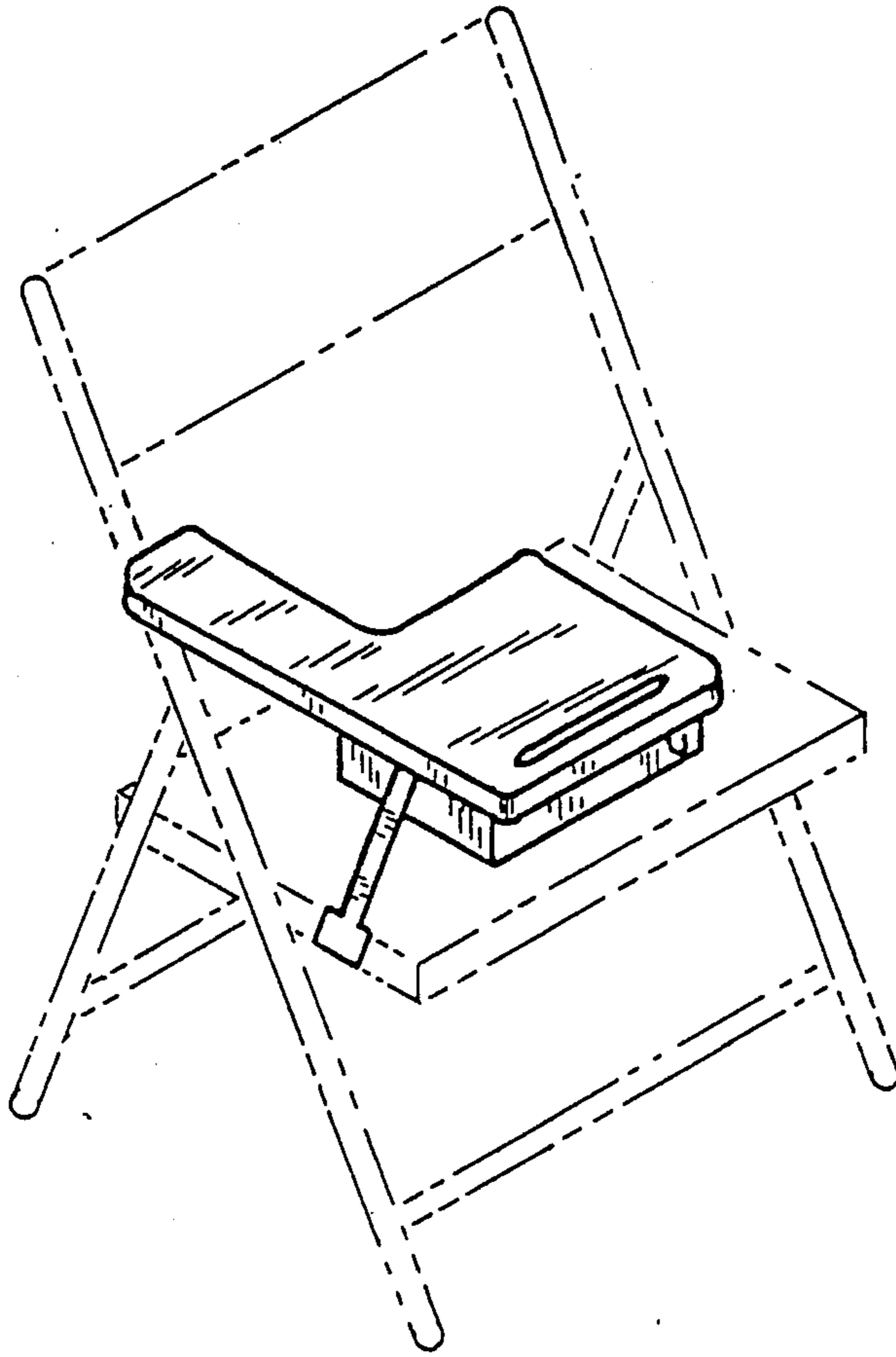


FIG. 4

