

United States Patent [19]
Collins

[11] **Patent Number: Des. 294,198**
[45] **Date of Patent: ** Feb. 16, 1988**

[54] **ADJUSTABLE SHOULDER HOLSTER**
[75] **Inventor: Walter W. Collins, North, S.C.**
[73] **Assignee: Gerger Legendary Blades, Inc.,
Portland, Oreg.**
[**] **Term: 14 Years**
[21] **Appl. No.: 692,532**
[22] **Filed: Jan. 18, 1985**
[52] **U.S. Cl. D3/101; D3/38**
[58] **Field of Search D3/30.1, 36, 38, 42,
D3/52, 78, 79, 100-106; 224/232-238, 193, 904,
911, 243**

4,260,089 4/1981 Daleo 224/911
4,346,827 8/1982 Bianchi 224/911
4,600,133 7/1986 Malhos 224/232

Primary Examiner—George P. Word
Attorney, Agent, or Firm—Foley & Lardner

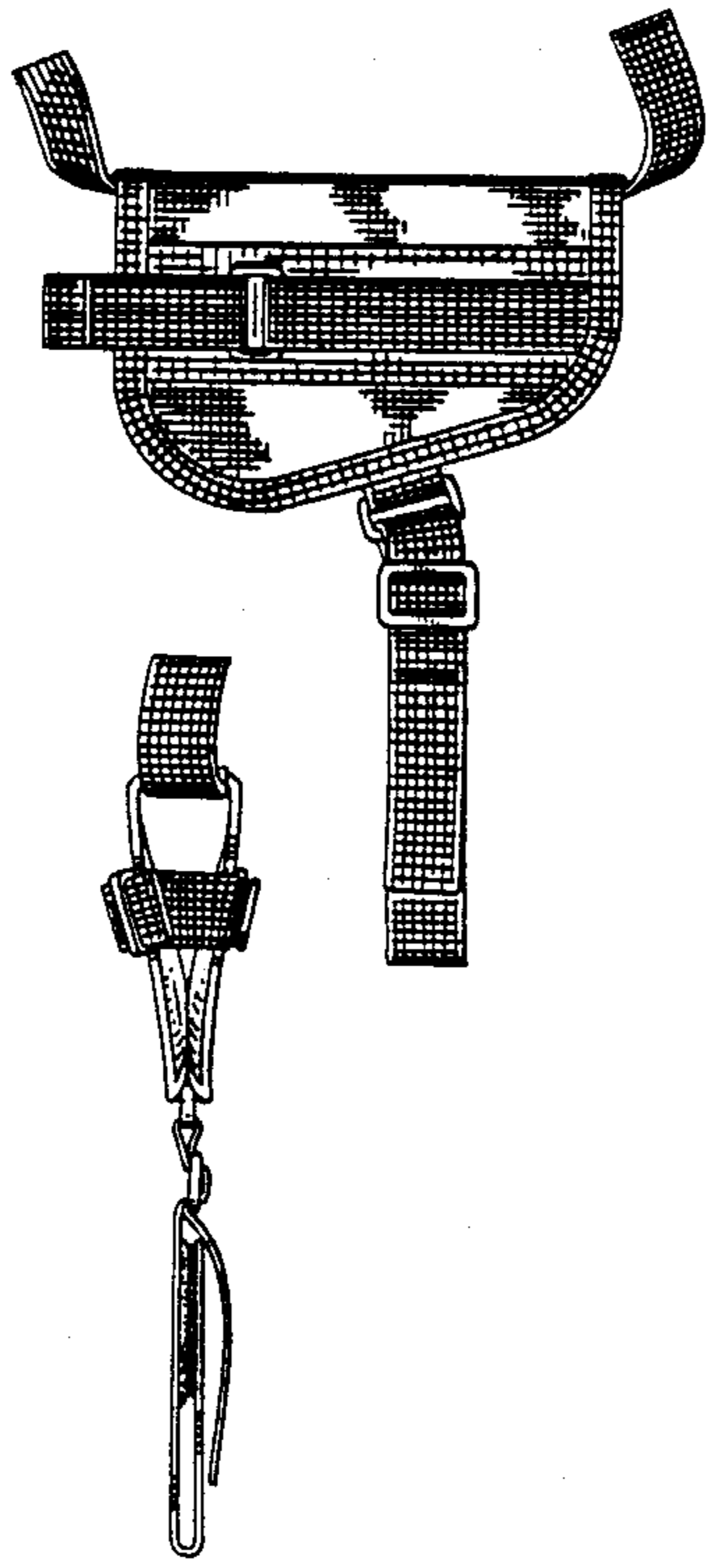
[57] **CLAIM**

The ornamental design for an adjustable shoulder holster, as shown and described.

DESCRIPTION

FIG. 1 is a front elevational view of an adjustable shoulder holster showing my new design;
FIG. 2 is a right side elevational view thereof;
FIG. 3 is a left side elevational view thereof;
FIG. 4 is a top plan view thereof;
FIG. 5 is a rear elevational view thereof; and
FIG. 6 is a cross-sectional view taken along line 6—6 of FIG. 5.

[56] **References Cited**
U.S. PATENT DOCUMENTS
D. 248,866 8/1978 Gonzales D3/101



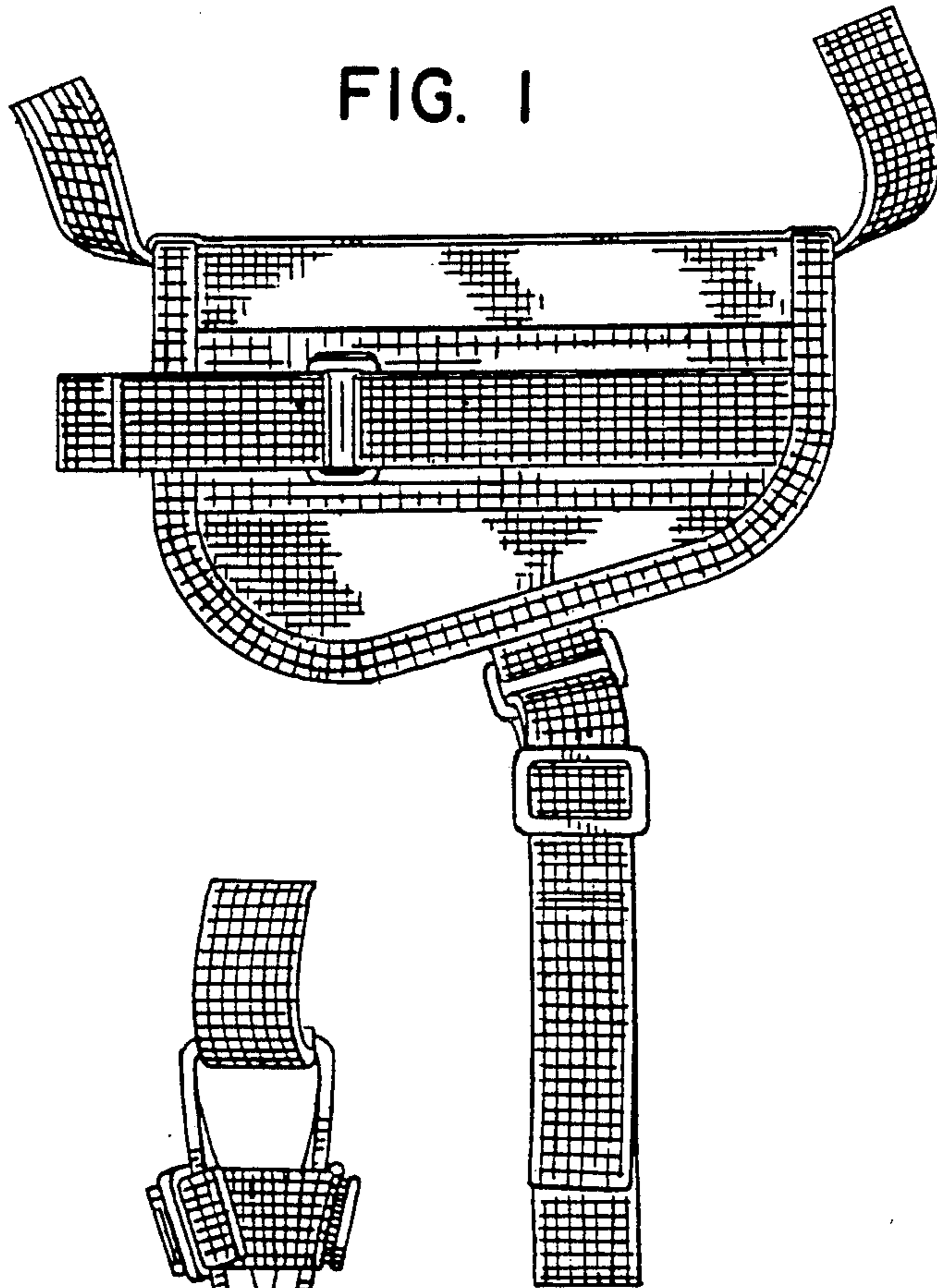


FIG. 1

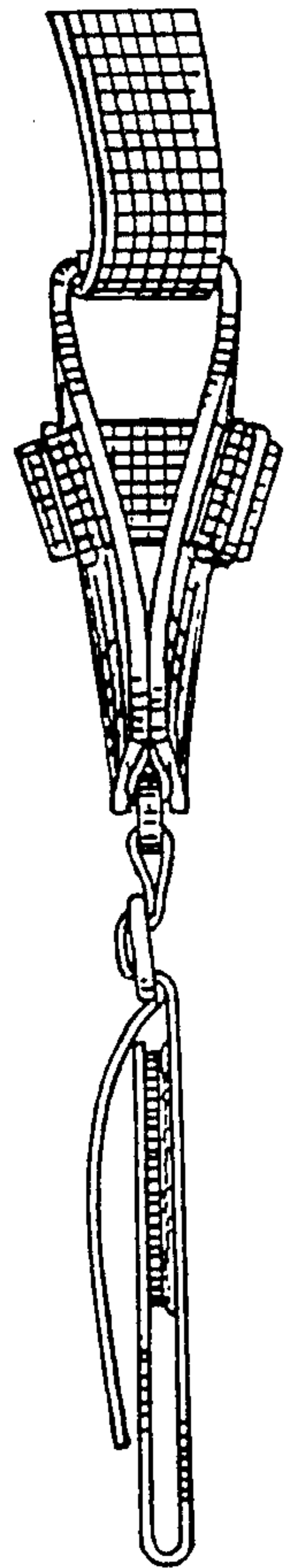


FIG. 2

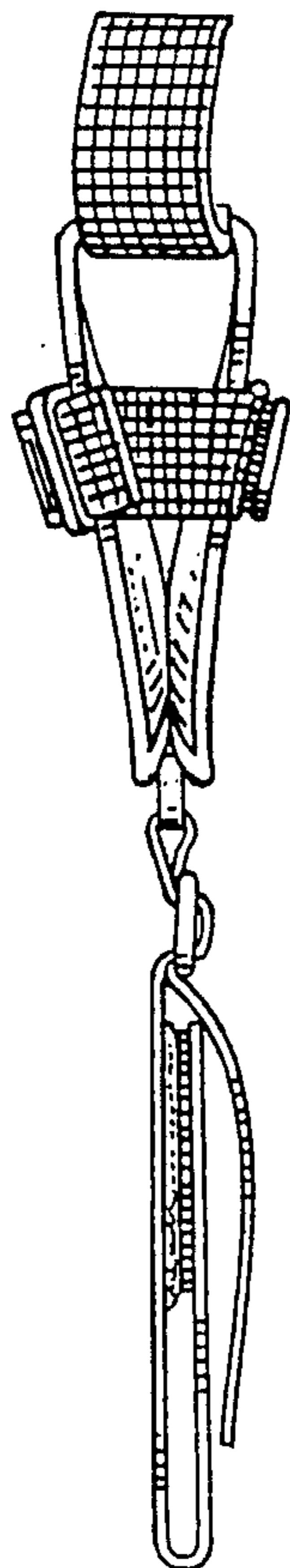


FIG. 3

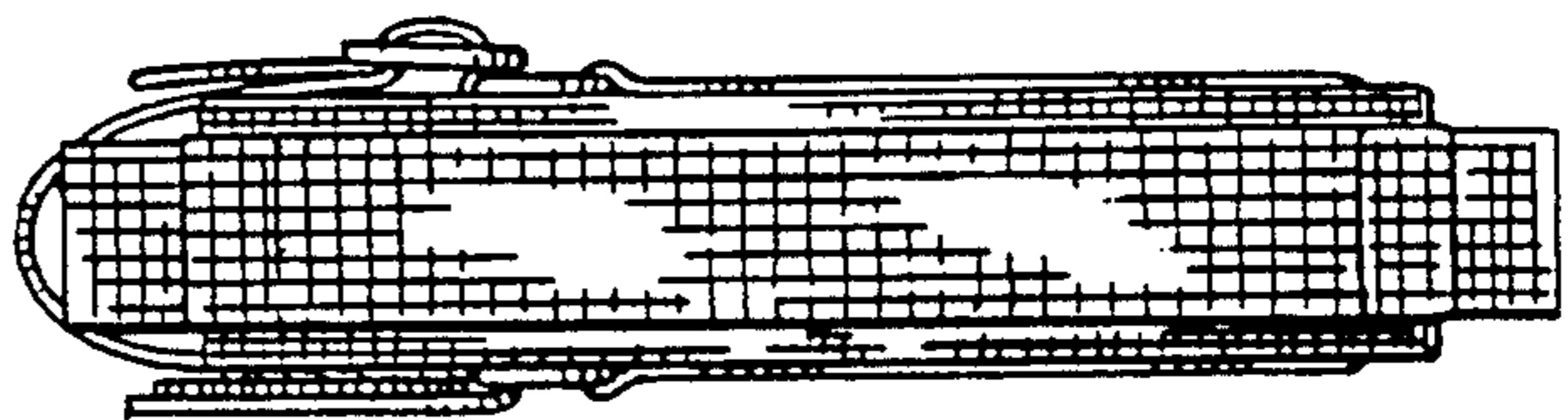


FIG. 4

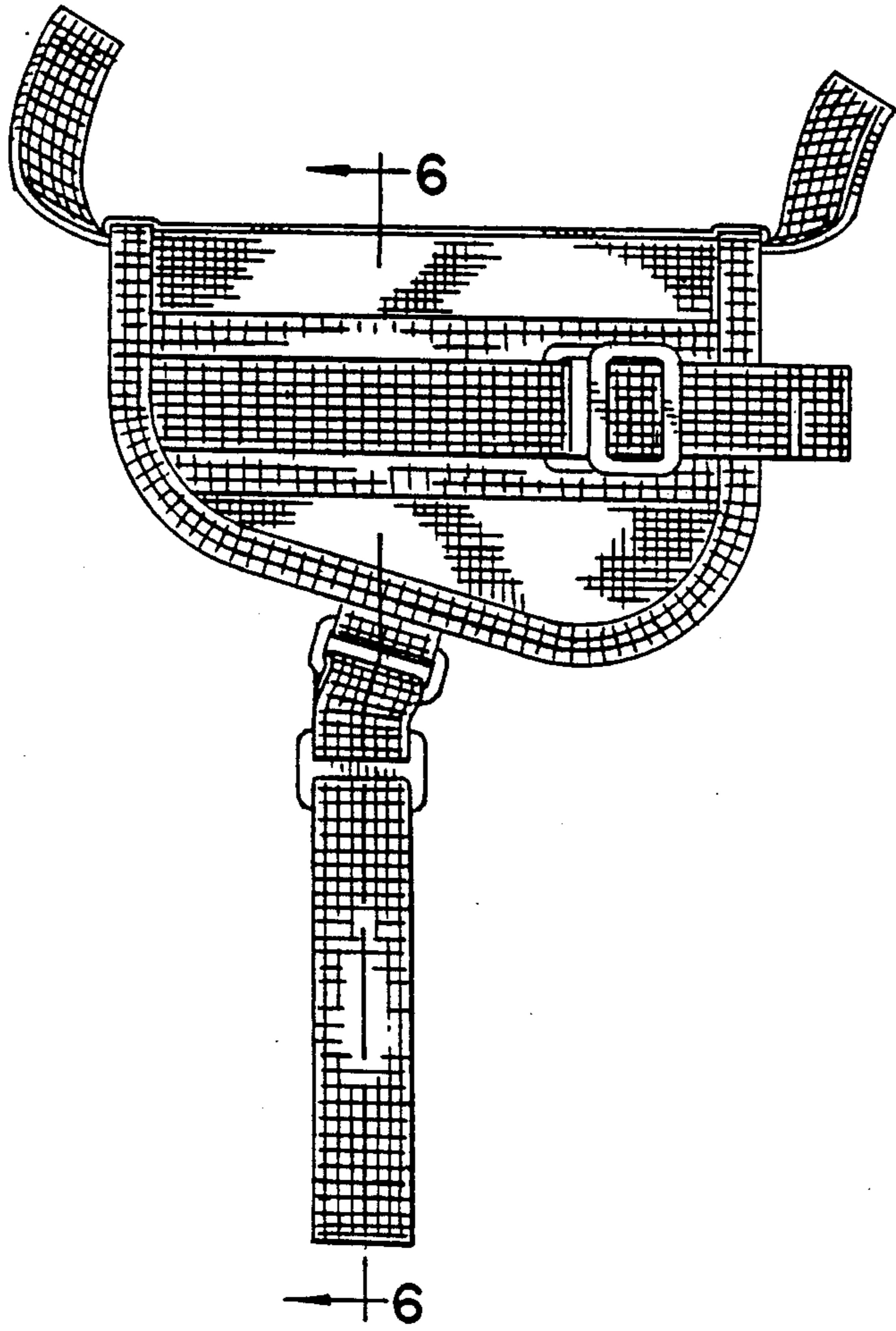


FIG. 5

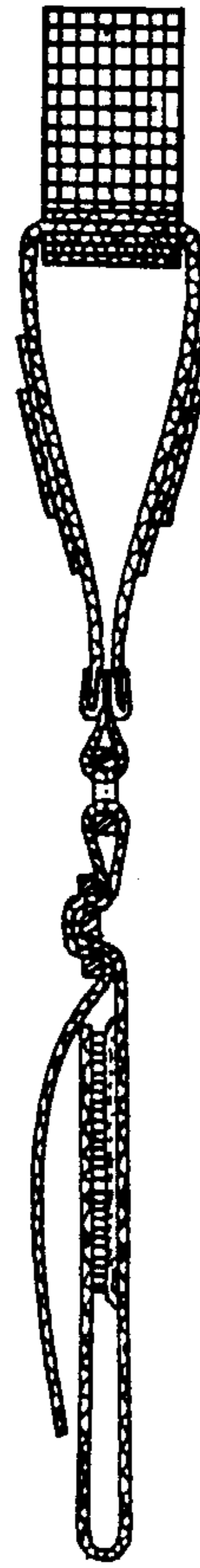


FIG. 6