

[54] HEXAGON-WRENCH TOOL CASE

[76] Inventor: Neil M. Abbott, #5 Norton Pl.,
Kirkwood, Mo. 63122

[**] Term: 14 Years

[21] Appl. No.: 691,700

[22] Filed: Jan. 14, 1985

[52] U.S. Cl. D3/74; D3/78

[58] Field of Search D3/30.1, 37, 62, 64,
D3/74, 78; 206/234, 372-379; 211/69, 69.1

1,929,072 10/1933 Little 206/377
2,589,234 3/1952 Drohman 206/379
3,154,192 10/1964 Cowley 206/379

Primary Examiner—George P. Word
Attorney, Agent, or Firm—Veo Peoples, Jr.

[57] CLAIM

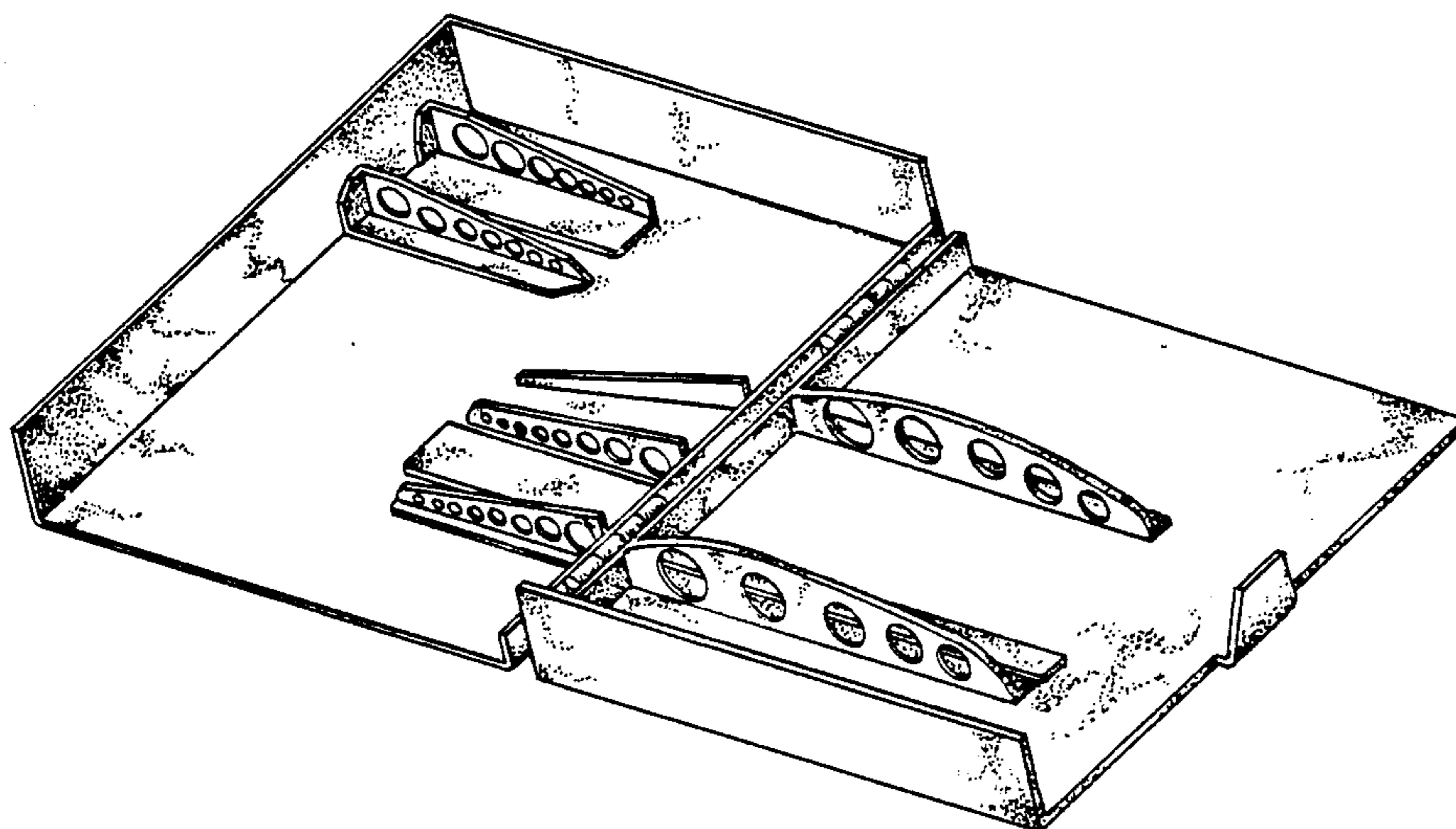
The ornamental design for a hexagon-wrench tool case, substantially as shown and described.

DESCRIPTION

FIG. 1 is a perspective view of a hexagon-wrench tool case, showing my new design, the exterior surfaces not shown being plain and unornamented;
FIG. 2 is a top plan view thereof;
FIG. 3 is a front elevational view thereof; and,
FIG. 4 is a right side elevational view thereof.

[56] References Cited
U.S. PATENT DOCUMENTS

D. 148,422 1/1948 Kane D3/74
D. 163,263 5/1951 Dodd et al. 206/377



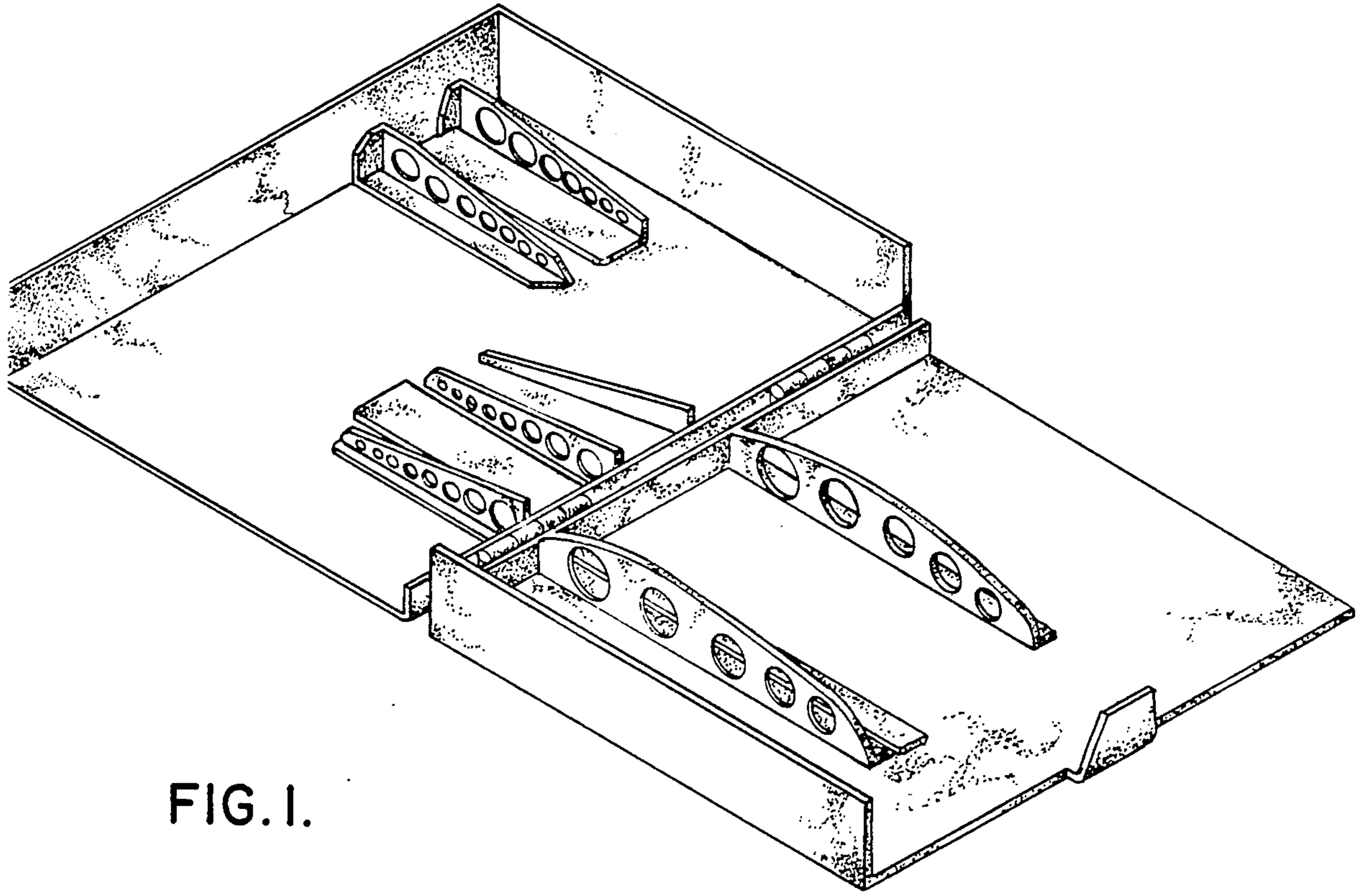


FIG. 1.

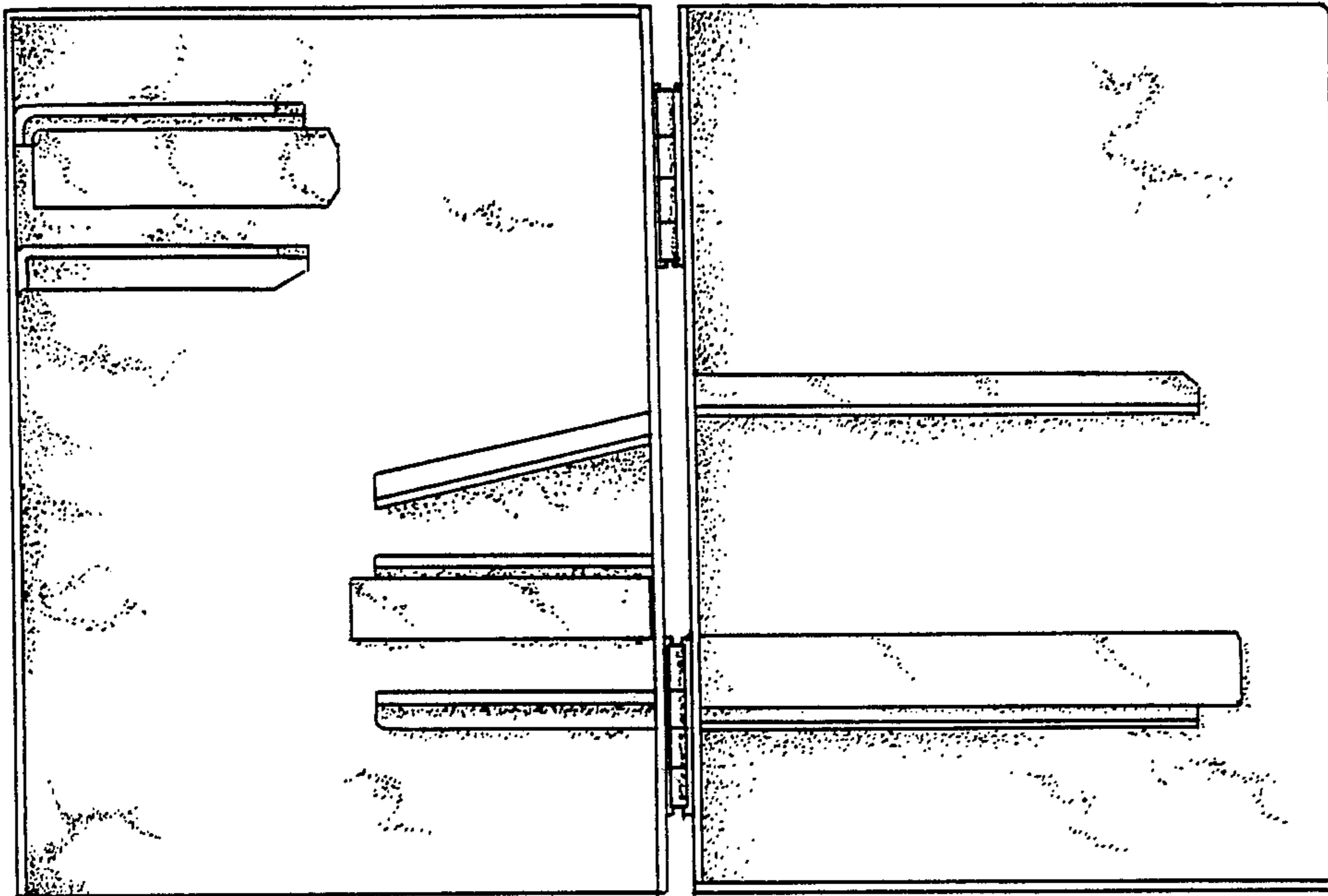


FIG. 2.



FIG. 3.



FIG. 4.