

[54] **INTERIOR PANEL FOR AN ATTACHE CASE  
LID OR SIMILAR ARTICLE**

[75] **Inventor: Walter Bialo, New Rochelle, N.Y.**

[73] **Assignee: Ventura Travelware, Inc., Long  
Island City, N.Y.**

[\*\*] **Term: 14 Years**

[21] **Appl. No.: 708,399**

[22] **Filed: Mar. 5, 1985**

[52] **U.S. Cl. .... D3/54; D3/74;  
D3/76**

[58] **Field of Search ..... D3/42, 48, 71, 74, 76,  
D3/77; 190/100, 109, 110, 111, 900-903**

[56] **References Cited**

**U.S. PATENT DOCUMENTS**

D. 256,189 8/1980 Rapoport ..... D3/76

**OTHER PUBLICATIONS**

W. Bell & Co. Cat. 1981, p. 210, Item "I".  
W. Bell & Co. Cat. 1981, p. 210, Item "K".  
W. Bell & Co. Cat. 1981, p. 211, Item "J".

*Primary Examiner*—George P. Word  
*Attorney, Agent, or Firm*—McAulay, Fields, Fisher,  
Goldstein & Nissen

[57] **CLAIM**

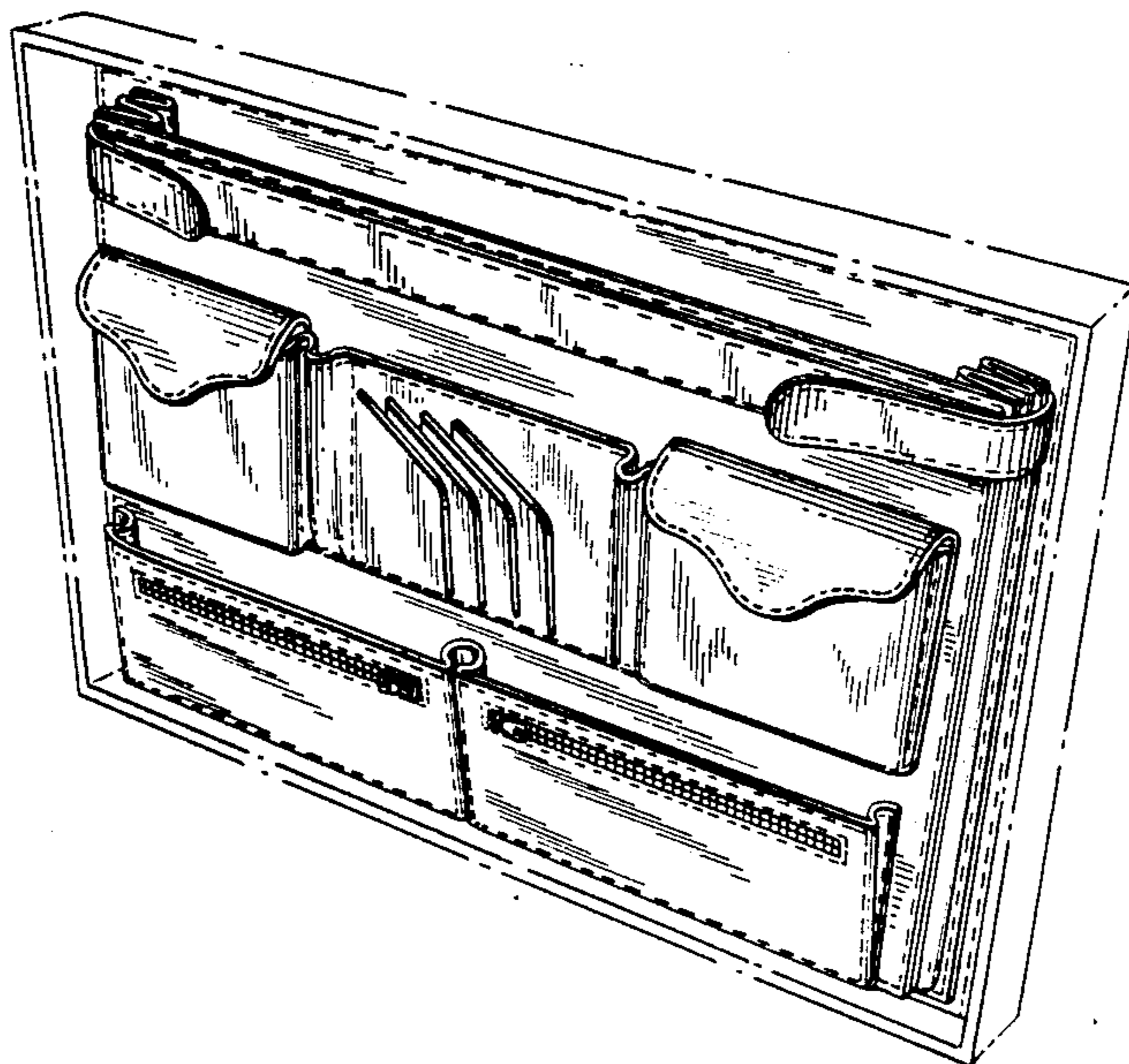
The ornamental design for an interior panel for an attache case lid or similar article, substantially as shown and described.

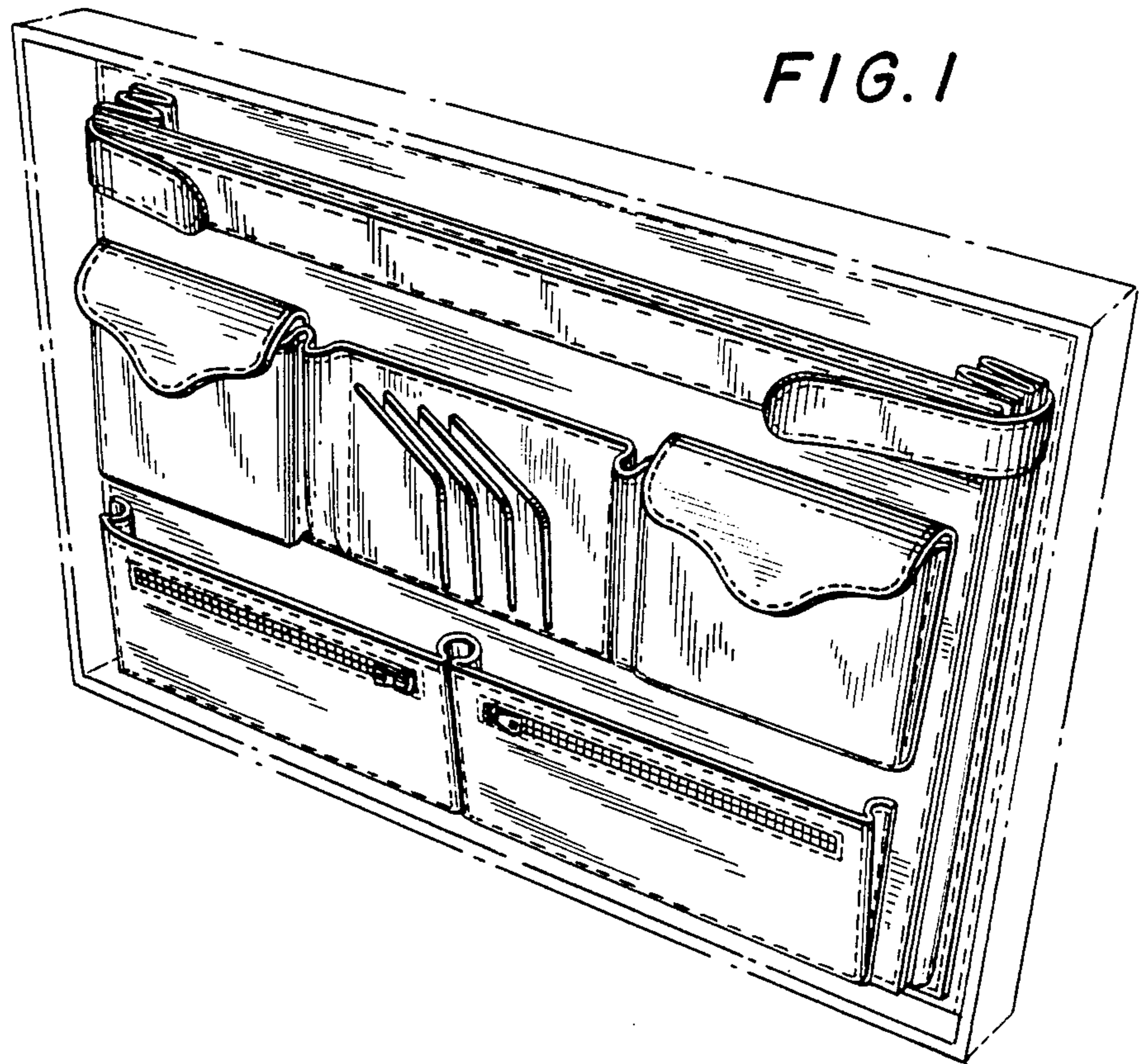
**DESCRIPTION**

FIG. 1 is a perspective view of an interior panel for an attache case lid or similar article showing my new design; and

FIG. 2 is a front elevational view thereof.

The environmental structure shown in dotted lines are for illustrative purposes only and not a part of the claimed design.





*FIG. 2*

