

**United States Patent** [19]  
**Whistle**

[11] **Patent Number: Des. 294,188**

[45] **Date of Patent: \*\* Feb. 9, 1988**

[54] **GARDEN CART**

[75] **Inventor: Fred S. Whistle, Searcy, Ark.**

[73] **Assignee: Whistle Quarter Horses, Inc., Searcy, Ark.**

[\*\*] **Term: 14 Years**

[21] **Appl. No.: 818,026**

[22] **Filed: Jan. 13, 1986**

[52] **U.S. Cl. .... D34/17; D34/24**

[58] **Field of Search .... D34/17, 24, 18, 19;  
280/47.34, 79.2**

[56] **References Cited**

**U.S. PATENT DOCUMENTS**

D. 243,752	3/1977	Kardas .....	D34/24
D. 246,300	11/1977	Dortch et al. ....	D34/24
D. 260,753	9/1981	Partain .....	D34/24
D. 261,125	10/1981	Gordon et al. ....	D34/24
D. 286,218	10/1986	Friedman .....	D34/17

2,697,299	12/1954	Sebel .....	280/47.34
3,314,688	4/1967	Gruegold .....	280/79.2
3,894,753	7/1975	Ickes .....	280/47.34
4,635,951	1/1987	Berfield et al. ....	280/47.34

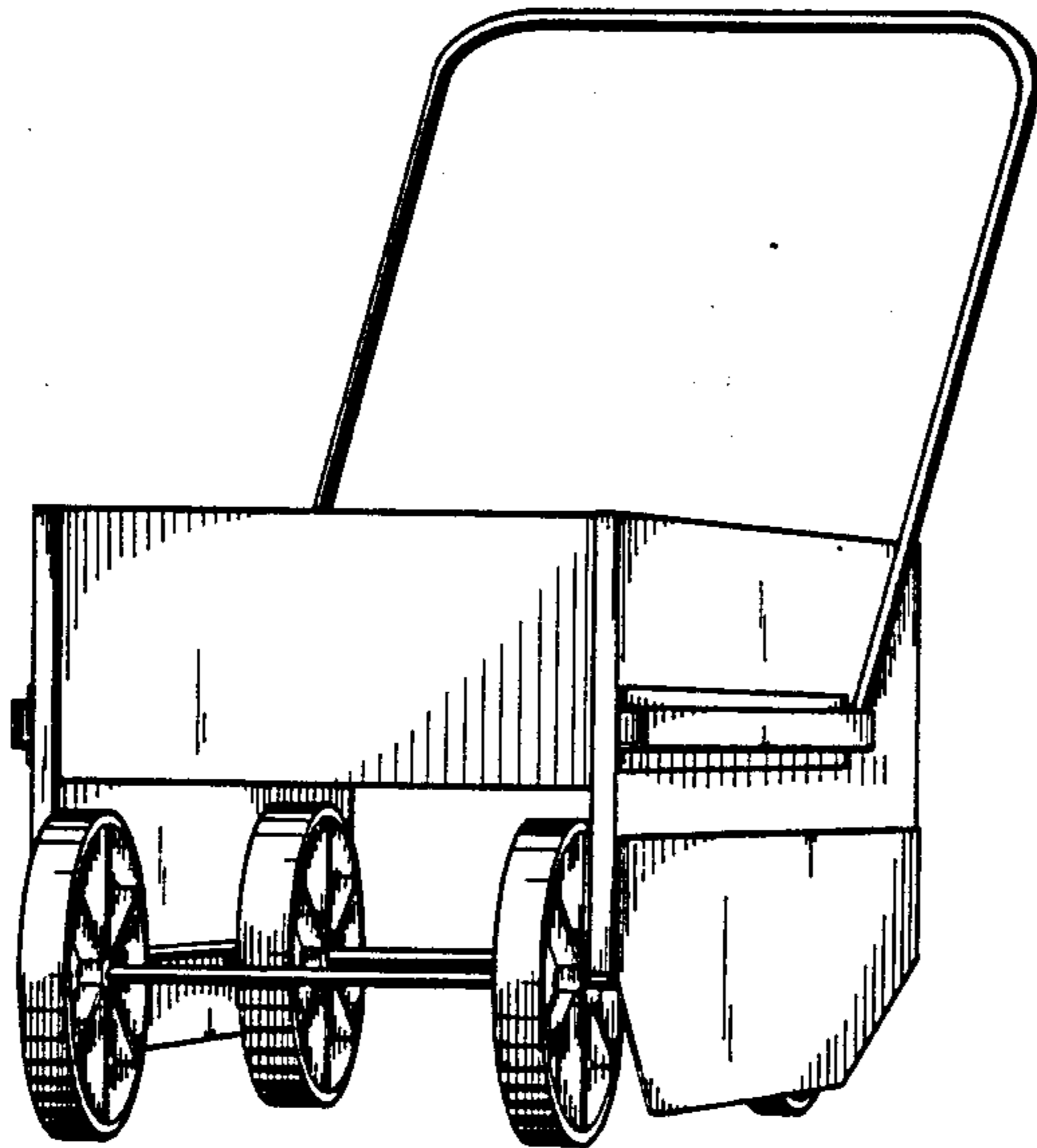
*Primary Examiner*—James M. Gandy  
*Assistant Examiner*—Kay H. Chin  
*Attorney, Agent, or Firm*—Stephen D. Carver

[57] **CLAIM**

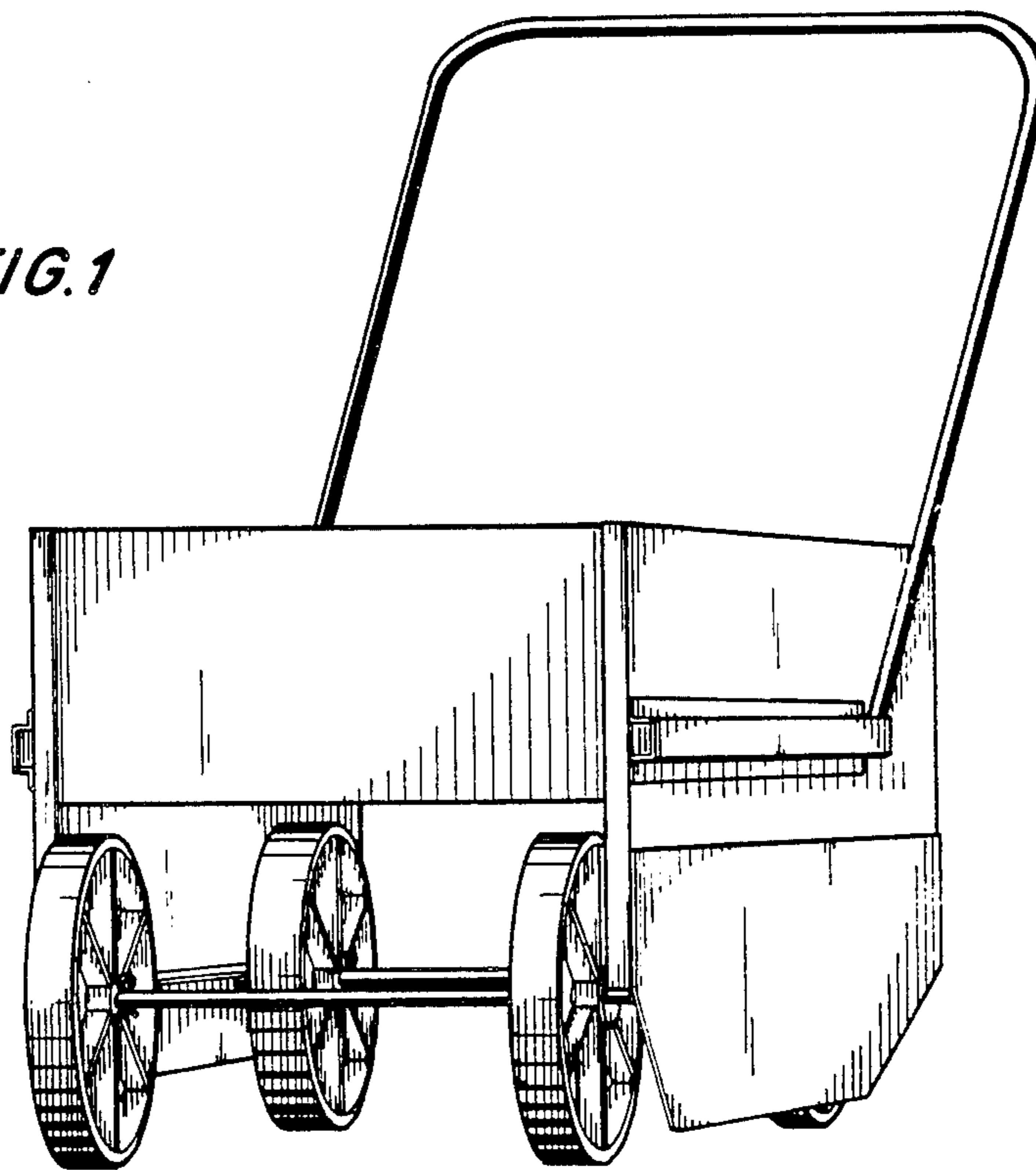
The ornamental design for a garden cart, as shown and described.

**DESCRIPTION**

FIG. 1 is a front perspective view of a garden cart showing my new design;  
FIG. 2 is a rear perspective view thereof;  
FIG. 3 is a reduced side elevational view thereof;  
FIG. 4 is a reduced front elevational view thereof;  
FIG. 5 is a reduced rear elevational view thereof;  
FIG. 6 is a reduced top plan view thereof; and  
FIG. 7 is a reduced sectional view thereof, taken along the line 7—7 of FIG. 6.



*FIG. 1*



*FIG. 2*

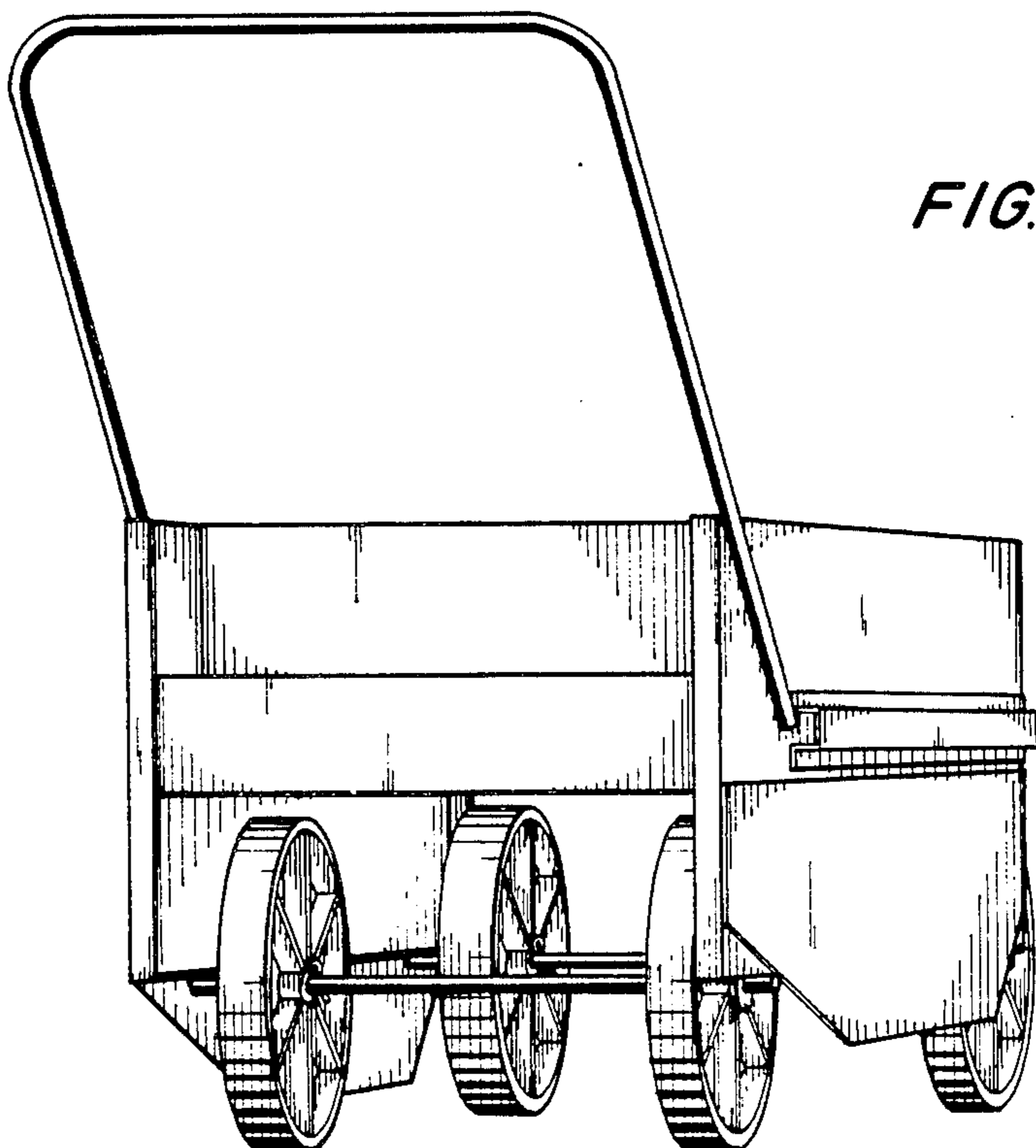


FIG. 3

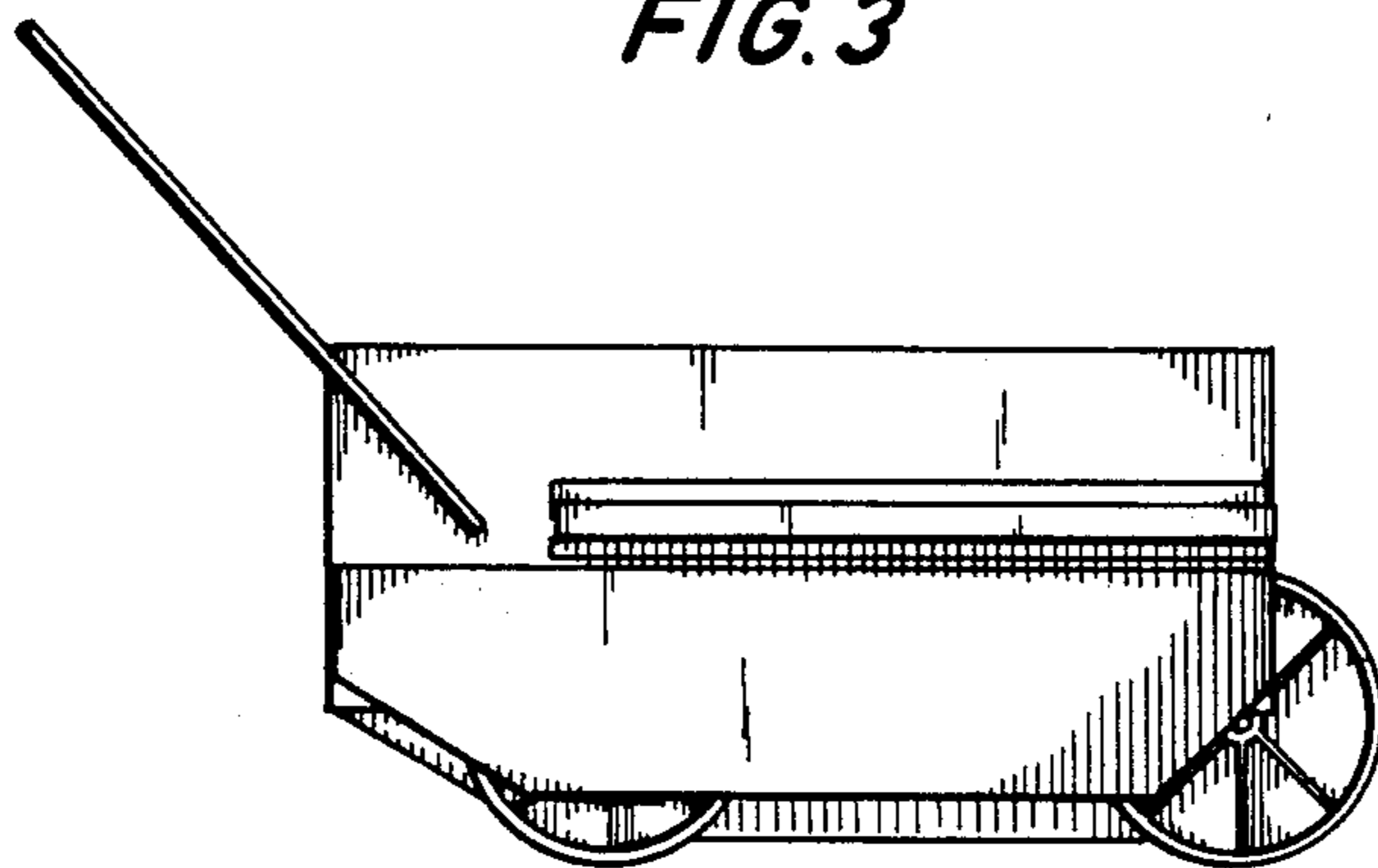


FIG. 4

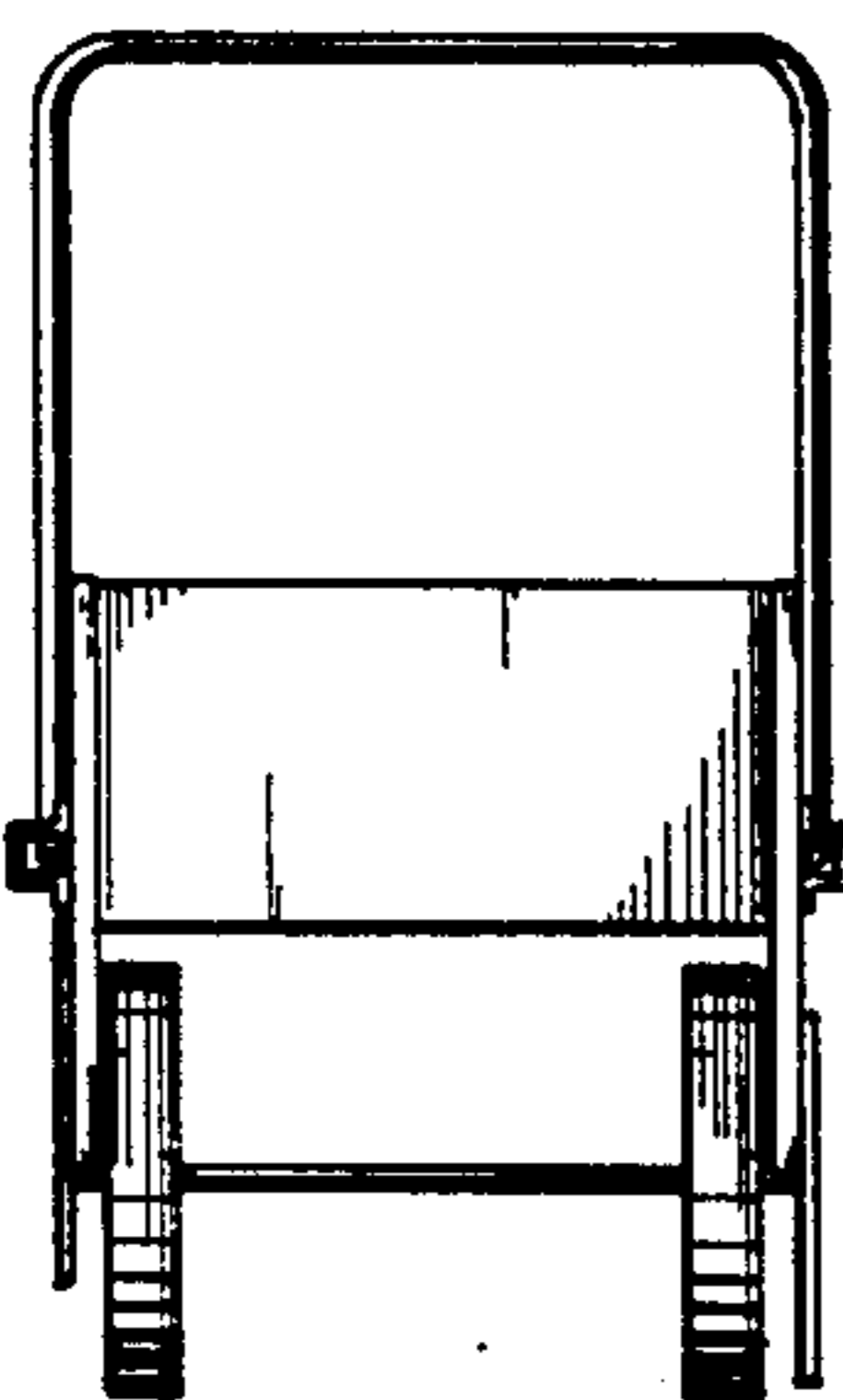
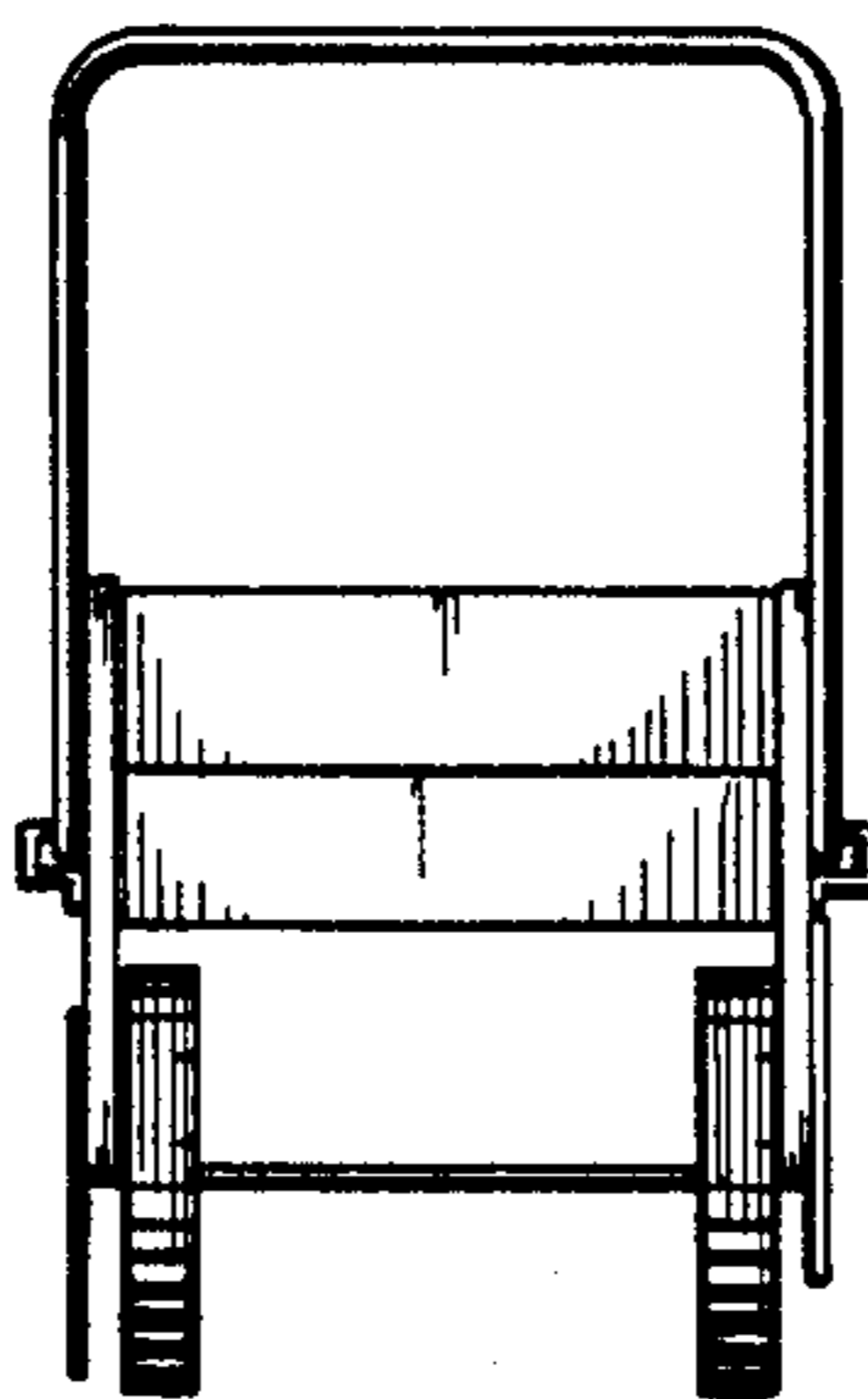


FIG. 5



7→

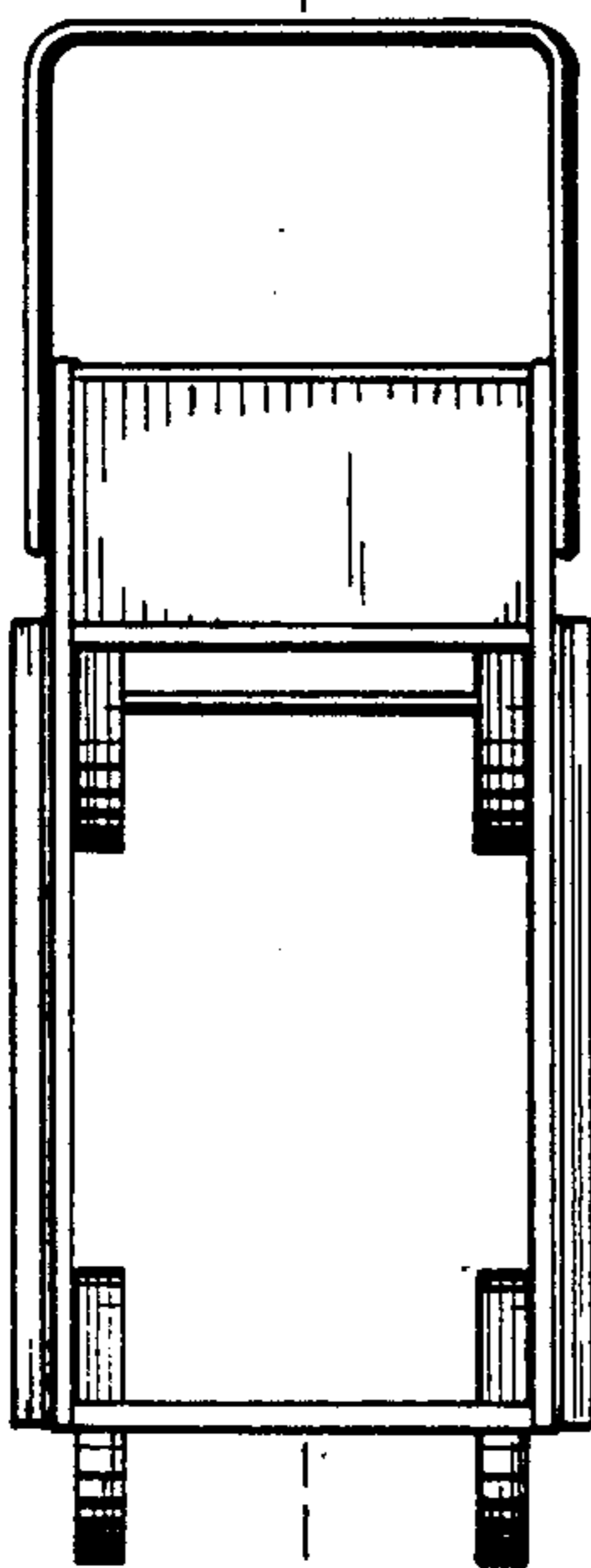


FIG. 6

*FIG. 7*

