

[54] **SHELTER FOR DOMESTIC FELINES**

[76] **Inventor: John K. S. Arthur, II, 7630
Woodhollow, Austin, Tex. 78731**

[**] **Term: 14 Years**

[21] **Appl. No.: 927,636**

[22] **Filed: Nov. 5, 1986**

[52] **U.S. Cl. D30/108**

[58] **Field of Search D30/1, 2, 41, 42, 99;
119/1, 19**

[56] **References Cited**

U.S. PATENT DOCUMENTS

D. 209,042 10/1967 Harum D30/1
D. 220,843 6/1971 Cook D30/1
D. 257,293 10/1980 Michalski D30/42
D. 261,186 10/1981 Michalski D30/42

D. 289,450 4/1987 Jennings D30/1
D. 290,767 7/1987 Duffek D30/1
3,479,990 11/1969 Crow 119/29 X
3,479,991 11/1969 Lichtenberger 119/29 X
3,581,707 6/1971 Cook 119/1
4,301,766 11/1981 Piccone 119/1
4,347,807 9/1982 Reich 119/29 X

Primary Examiner—James R. Largen

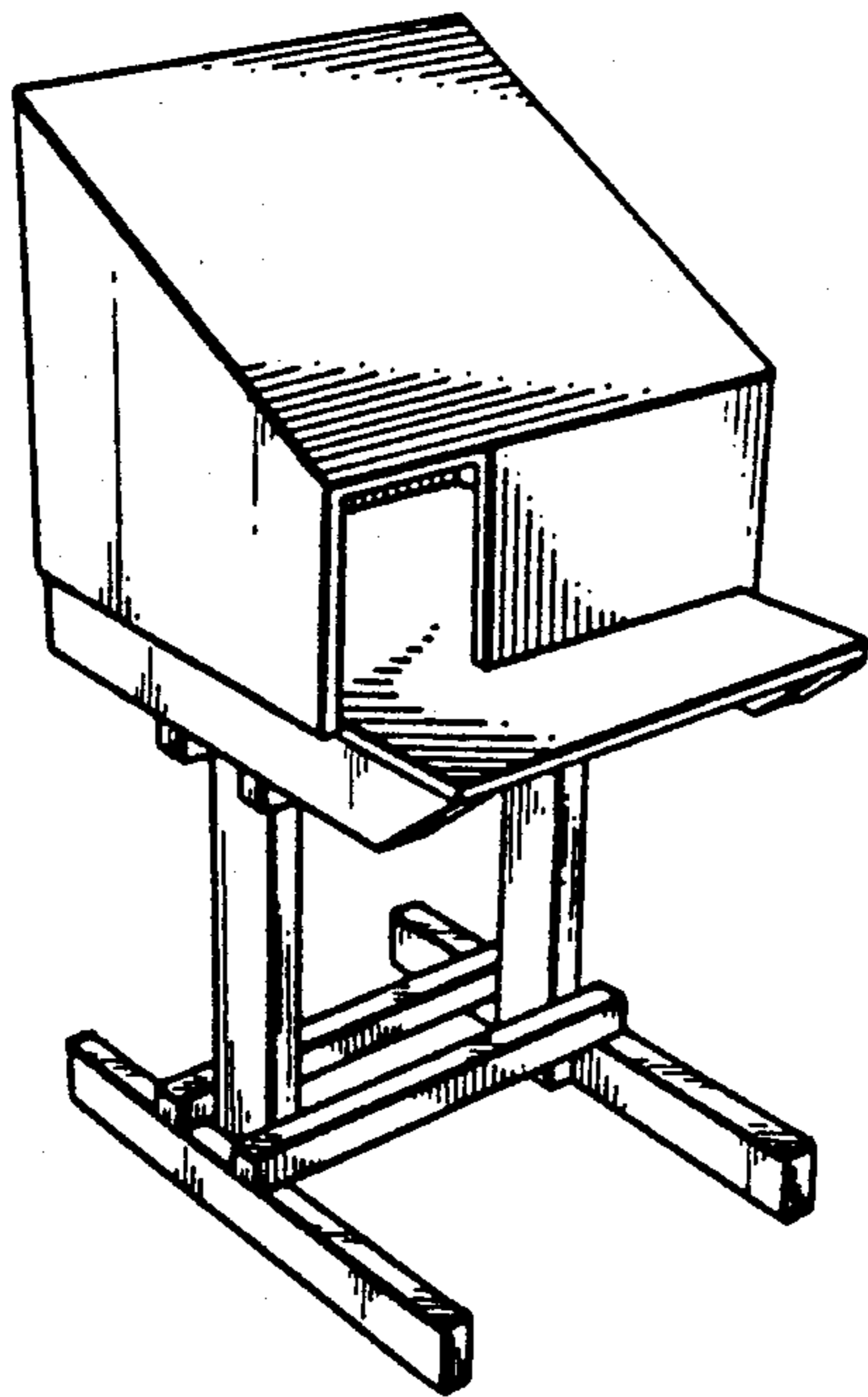
Attorney, Agent, or Firm—Fulbright & Jaworski

[57] **CLAIM**

The ornamental design for a shelter for domestic felines, as shown.

DESCRIPTION

FIG. 1 is a perspective view taken from the top, front and left side of a shelter for domestic felines, showing my new design; and, FIG. 2 is a perspective view taken from the bottom, rear and right side thereof.



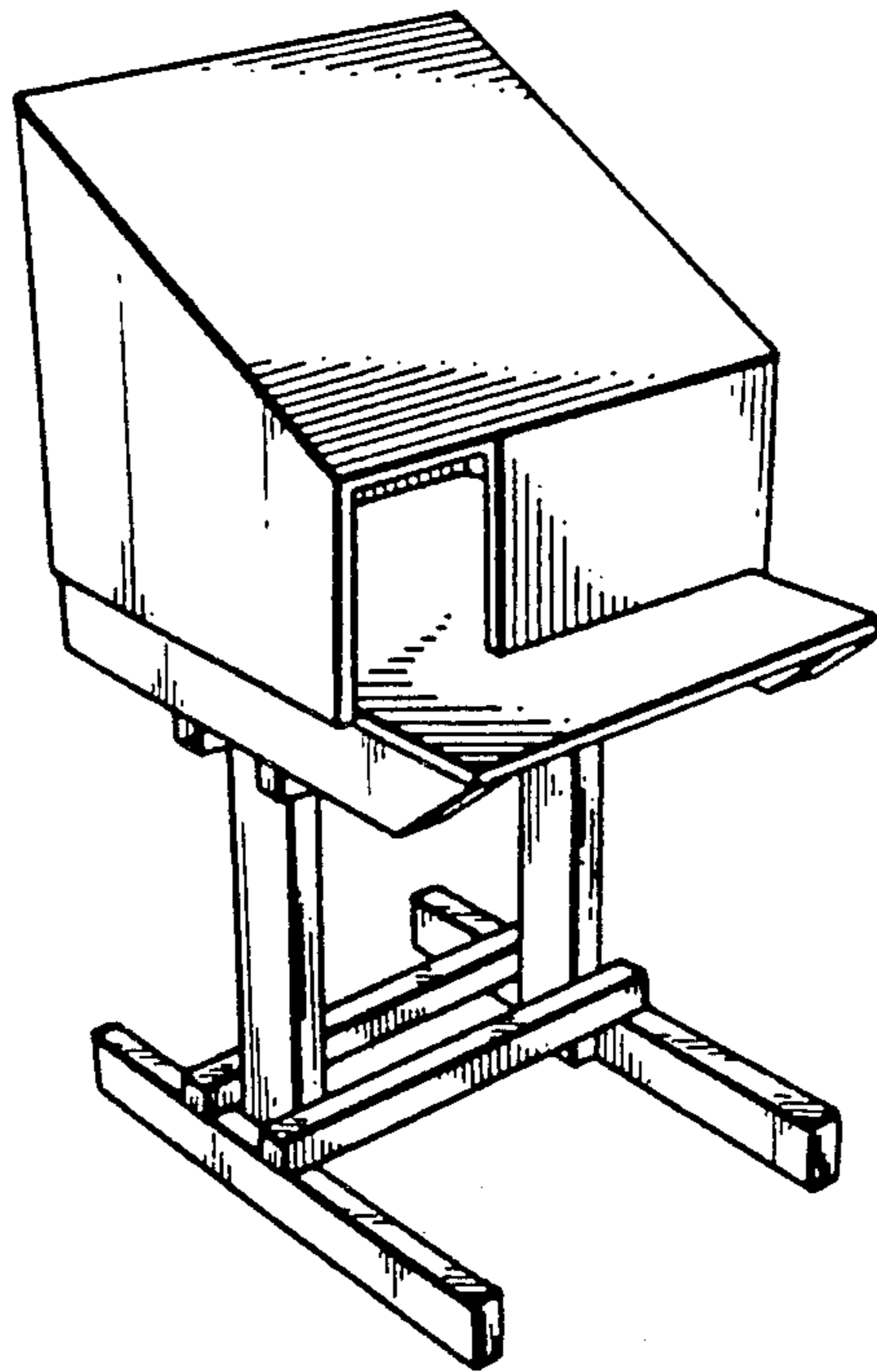


Fig. 1

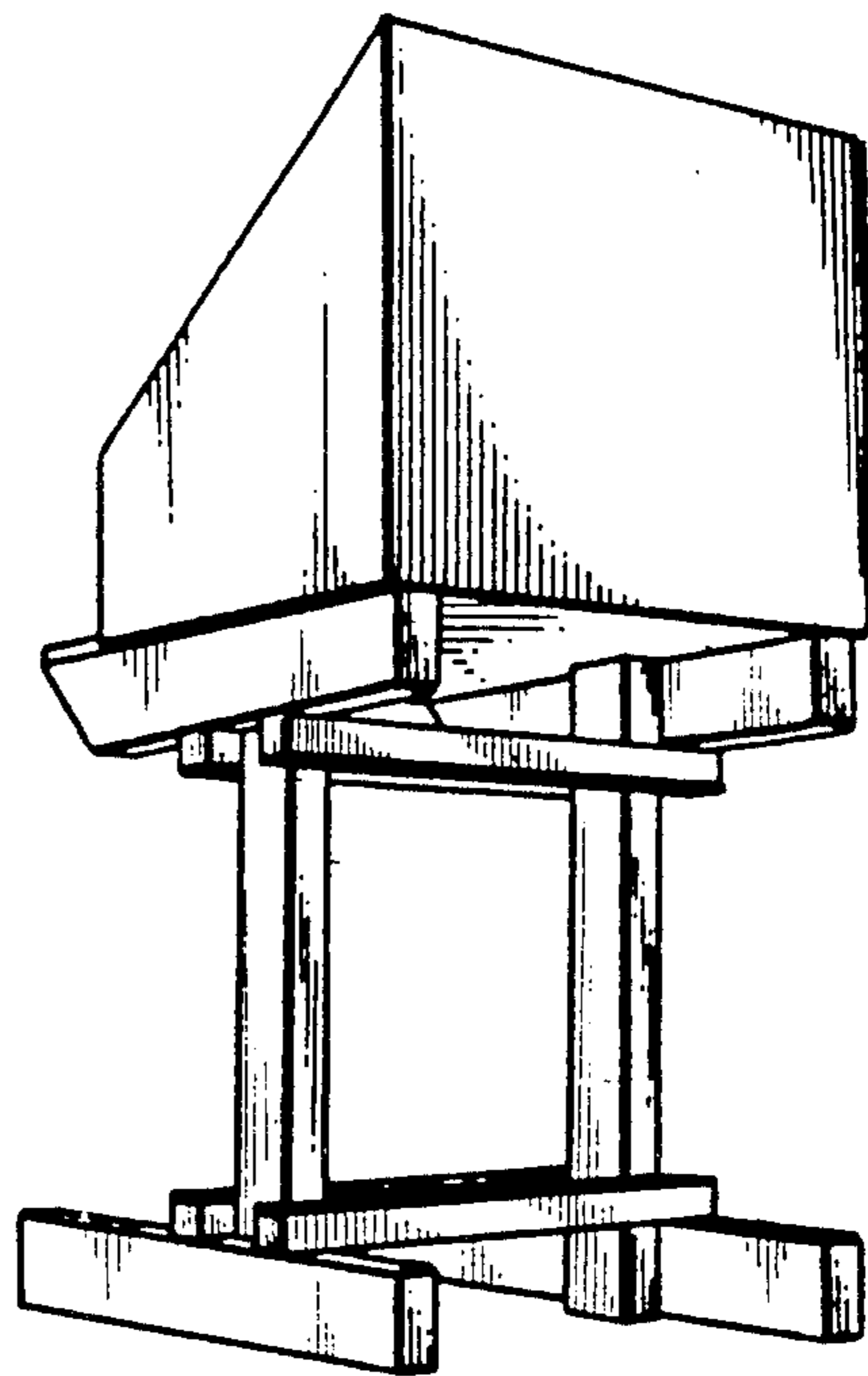


Fig. 2