

# United States Patent [19]

Romero

[11] Patent Number: Des. 294,181

[45] Date of Patent: \*\* Feb. 9, 1988

[54] SMOKERS DETERRENT JUDGE'S GAVEL AND ASHTRAY

D. 200,383 2/1965 Gluck ..... D27/22 X  
D. 286,918 11/1986 Valencia ..... D27/22

[76] Inventor: James A. Romero, 3423 Chadwell  
Glen La., Houston, Tex. 77082

Primary Examiner—Catherine E. Kemper  
Attorney, Agent, or Firm—Richard C. Litman

[\*\*] Term: 14 Years

[57] CLAIM

[21] Appl. No.: 862,889

The ornamental design for a smokers deterrent judge's gavel and ashtray, as shown and described.

[22] Filed: May 13, 1986

[52] U.S. Cl. .... D27/15; D27/22

[58] Field of Search ..... D27/8-29;  
131/240, 241, 242

DESCRIPTION

FIG. 1 is a perspective view of a smokers deterrent judge's gavel and ashtray, showing my new design.

FIG. 2 is a side elevational view thereof;

FIG. 3 is a rear elevational view thereof;

FIG. 4 is a front elevational view thereof;

FIG. 5 is a top plan view thereof.

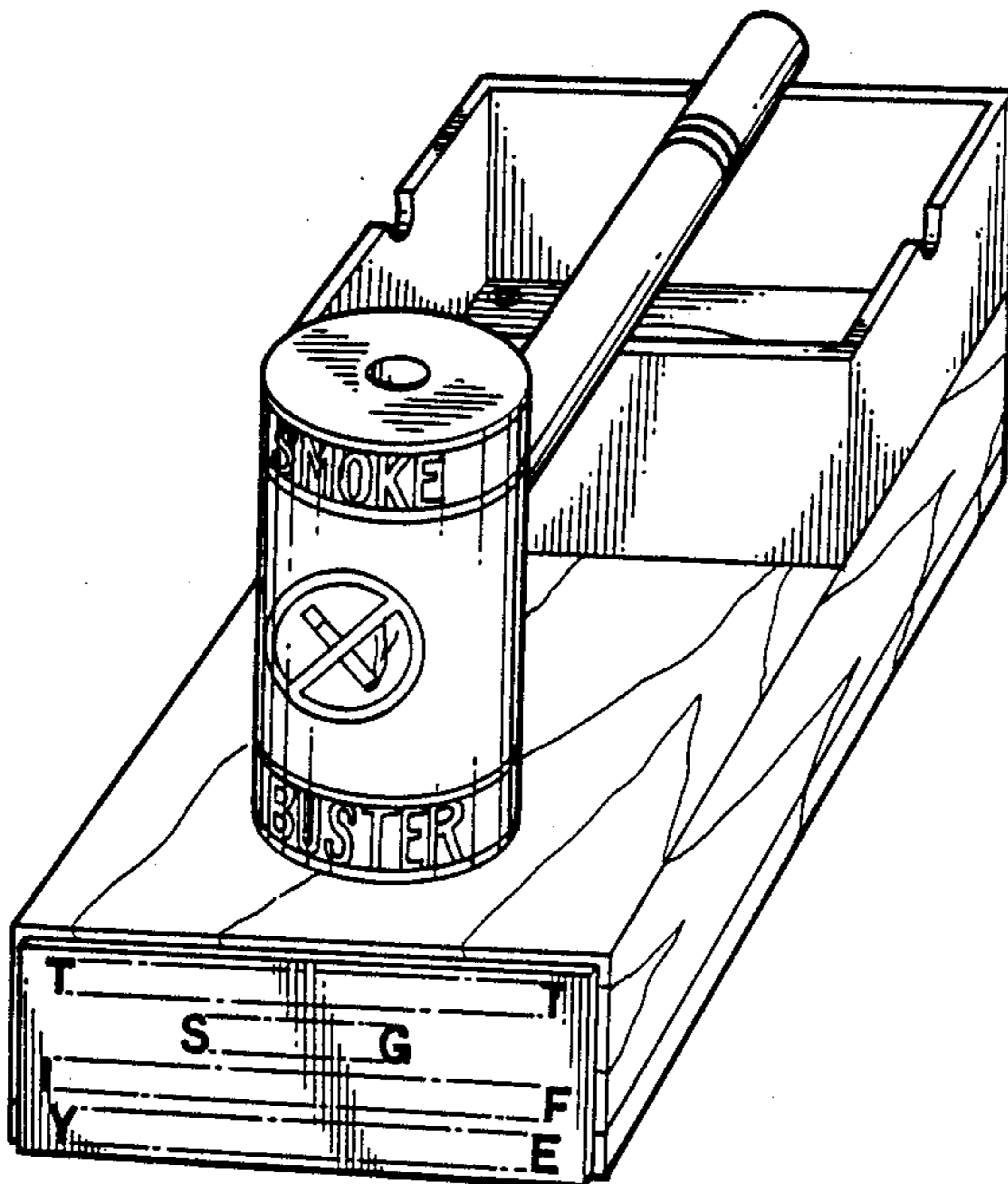
The lettering has been partially shown in FIG. 1 for ease of illustration.

References Cited

U.S. PATENT DOCUMENTS

D. 37,581 10/1905 Ellis ..... D27/22 X

D. 199,716 12/1964 Gluck ..... D27/22



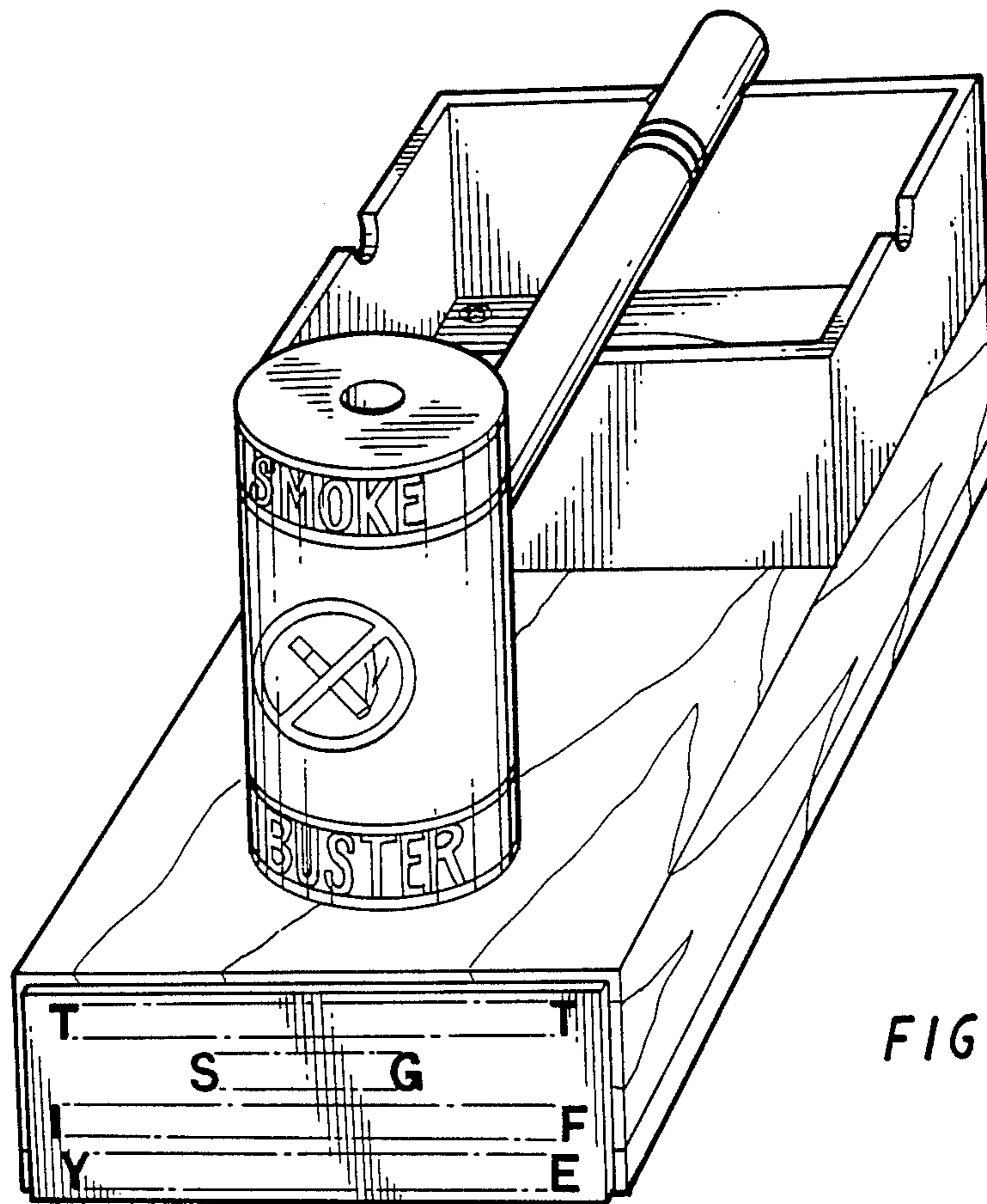
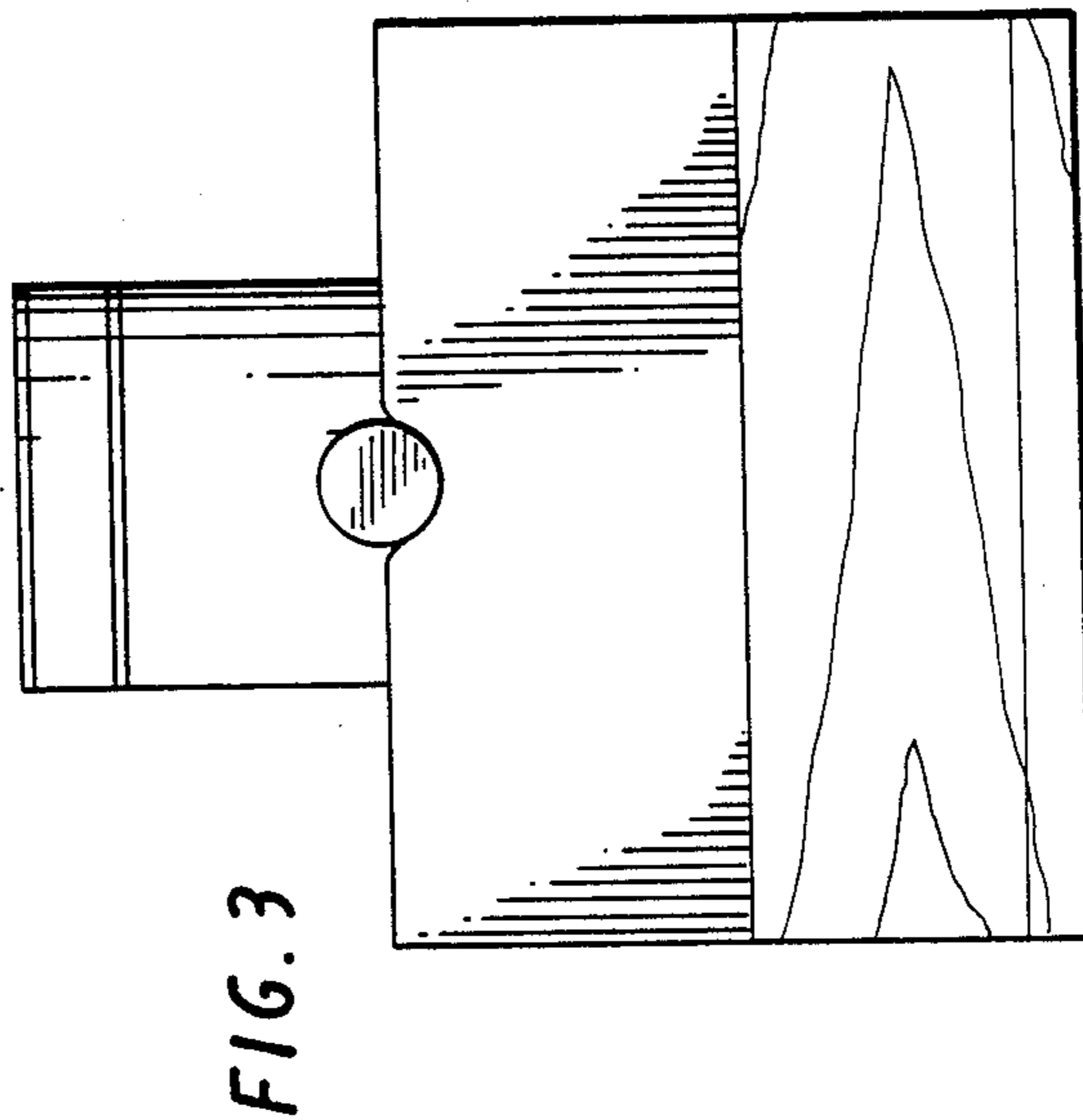
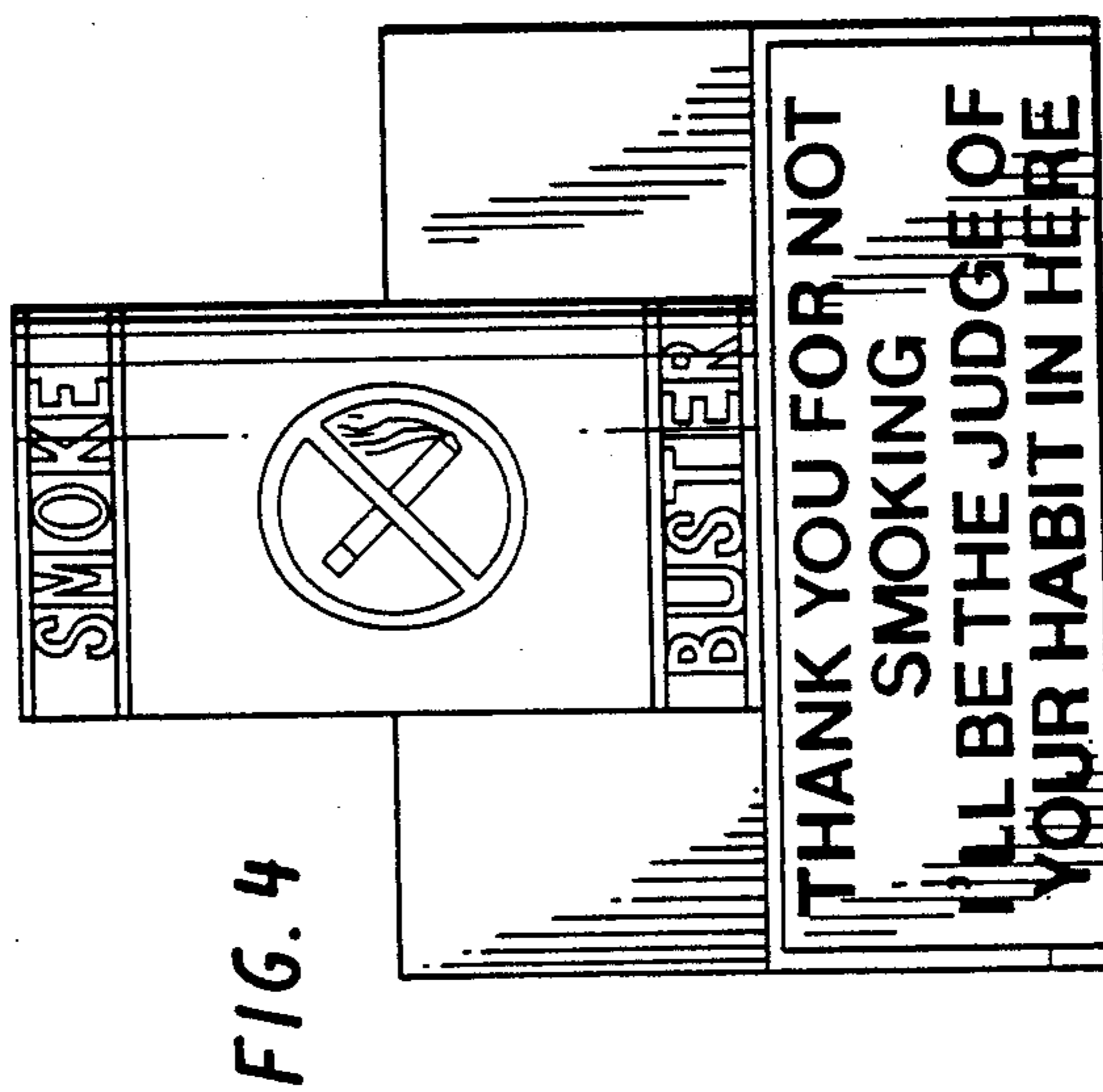
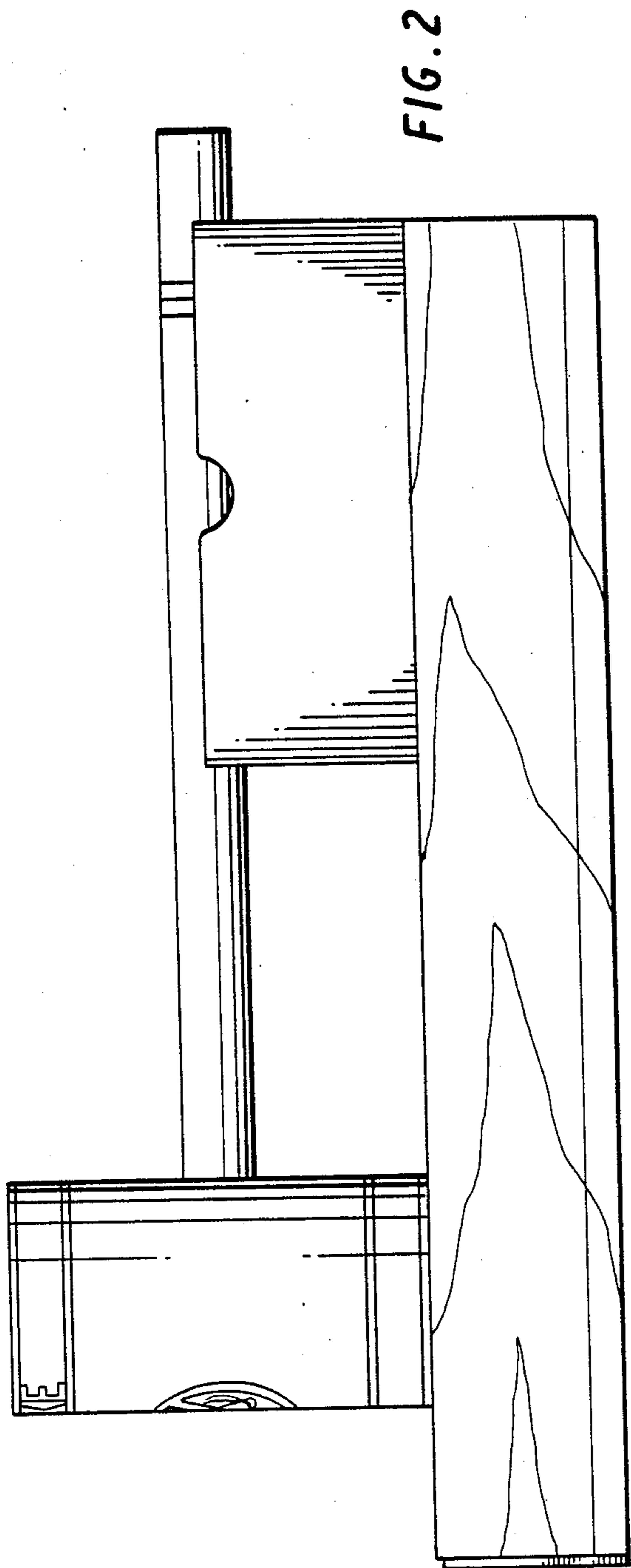


FIG. 1



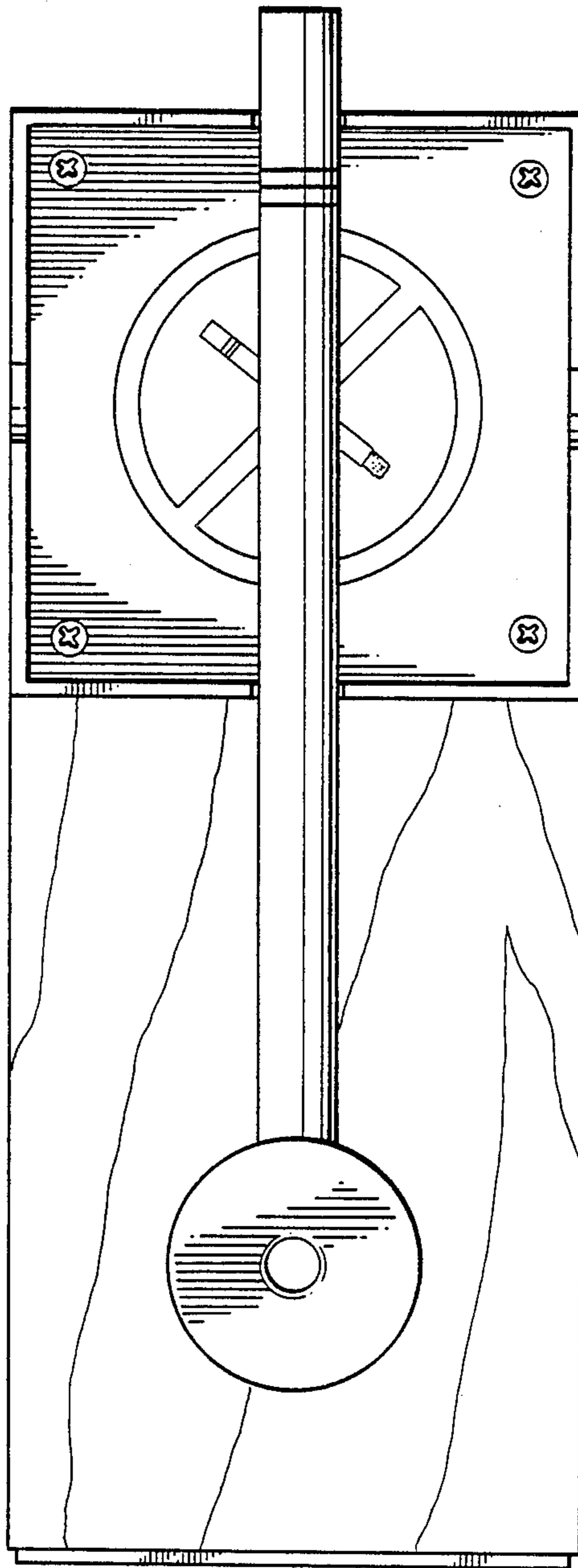


FIG. 5