

United States Patent [19]

Johnson et al.

[11] Patent Number: Des. 294,180

[45] Date of Patent: ** Feb. 9, 1988

[54] SOUND ACTUATED NIGHT LIGHT

[75] Inventors: Allan B. Johnson, Tarzana; Spencer L. Mackay, Agoura Hills, all of Calif.

[73] Assignee: Intermatic Electronics, Incorporated, Spring Grove, Ill.

[**] Term: 14 Years

[21] Appl. No.: 721,862

[22] Filed: Apr. 9, 1985

[52] U.S. Cl. D26/93; D26/26; D26/37

[58] Field of Search D26/26, 93, 37-50; 362/311, 226, 157, 158, 183-191, 194-205; 367/197; 340/321, 331, 326, 566, 573

[56] References Cited

U.S. PATENT DOCUMENTS

D. 274,368 6/1984 Skarman D26/51 X
4,630,248 12/1986 Scott 340/566 X

Primary Examiner—Susan J. Lucas
Attorney, Agent, or Firm—William Brinks

[57] CLAIM

The ornamental design for a sound actuated night light, substantially as shown and described.

DESCRIPTION

FIG. 1 is a top, front left-hand side perspective view of a sound actuated night light showing our new design; FIG. 2 is a front elevational view thereof on a slightly enlarged scale; FIG. 3 is a right-hand side elevational view thereof on a slightly enlarged scale; FIG. 4 is a rear elevational view thereof on a slightly enlarged scale; FIG. 5 is a bottom plan view thereof on a slightly enlarged scale.

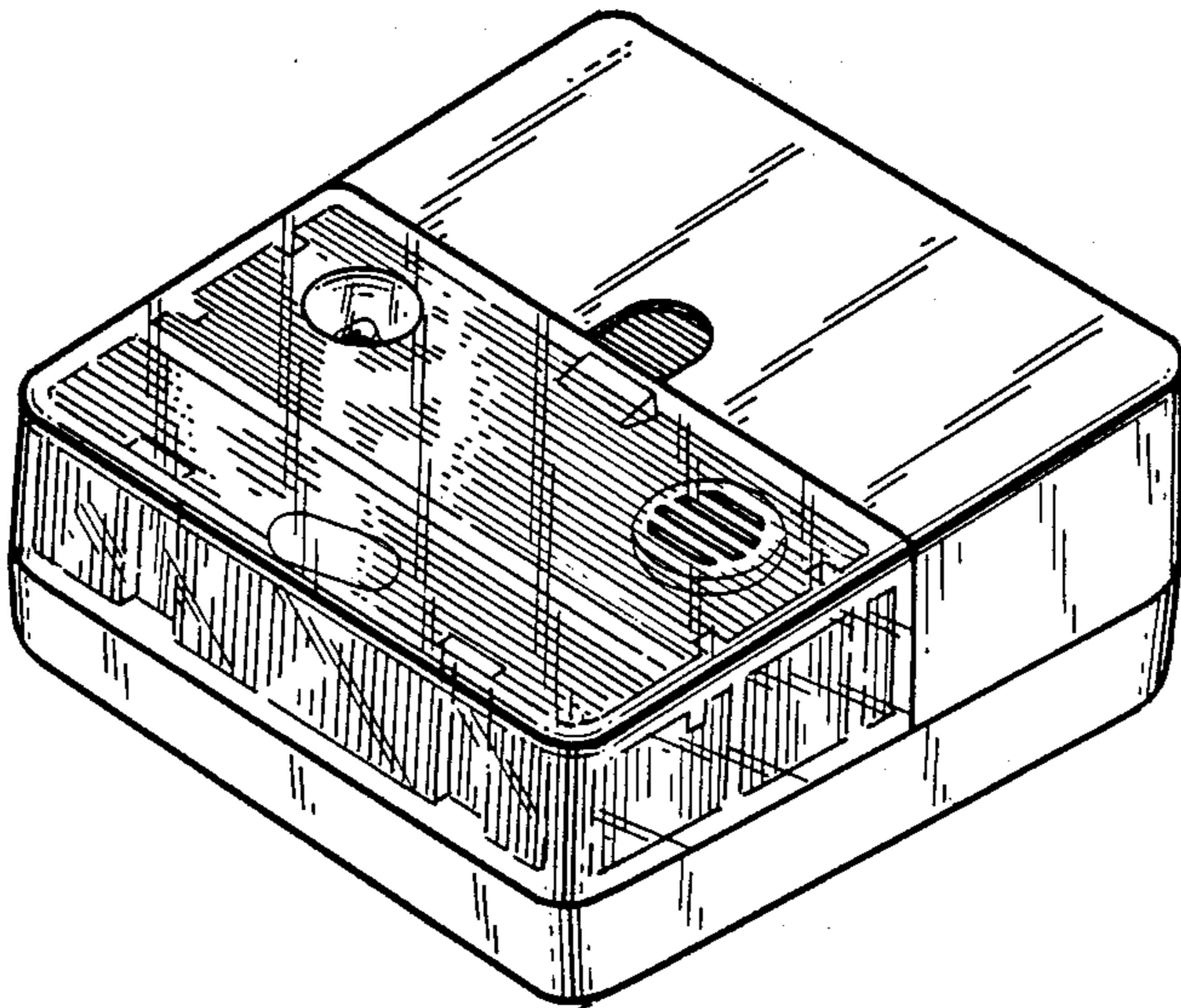


FIG. 1

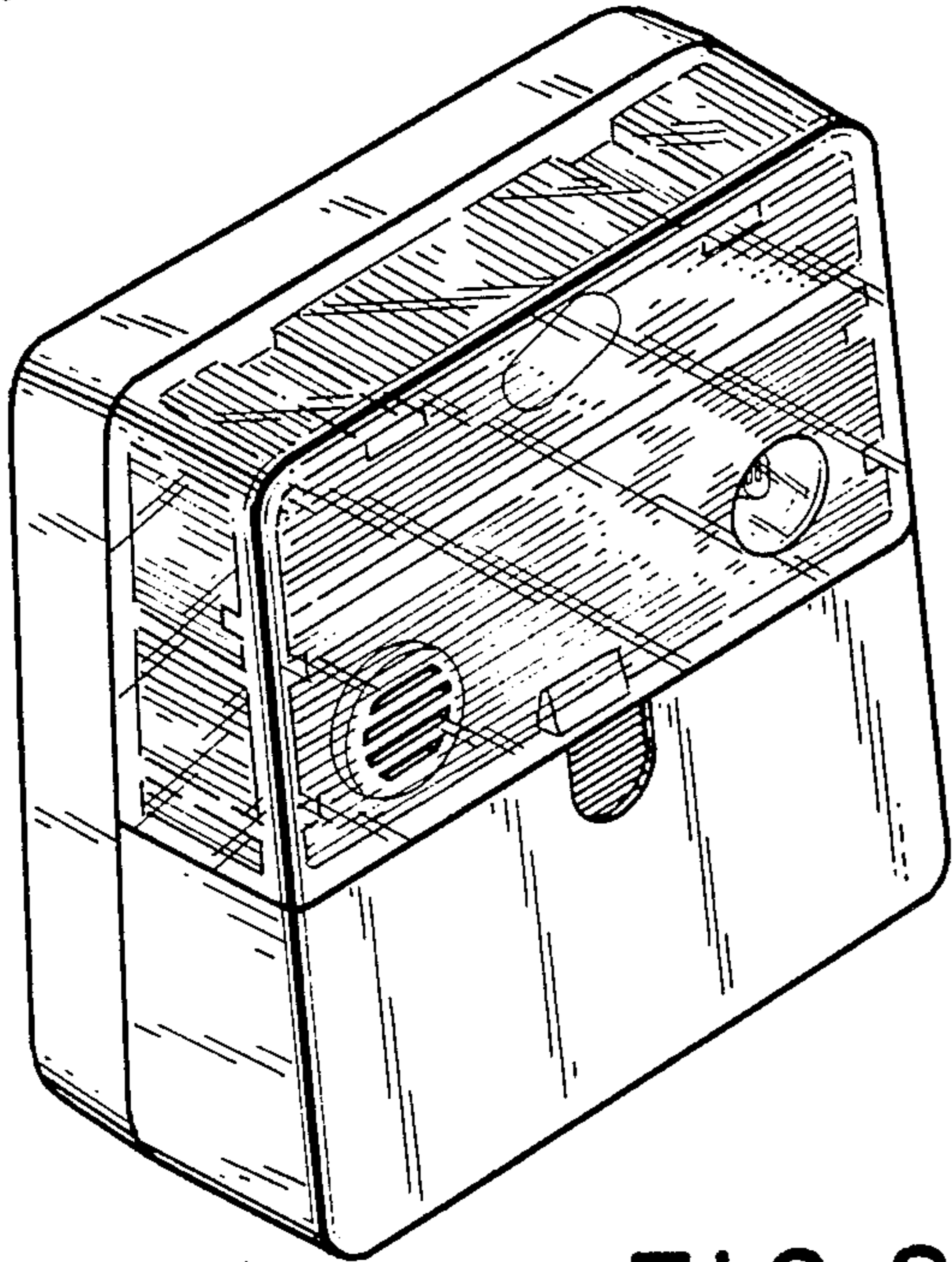


FIG. 4

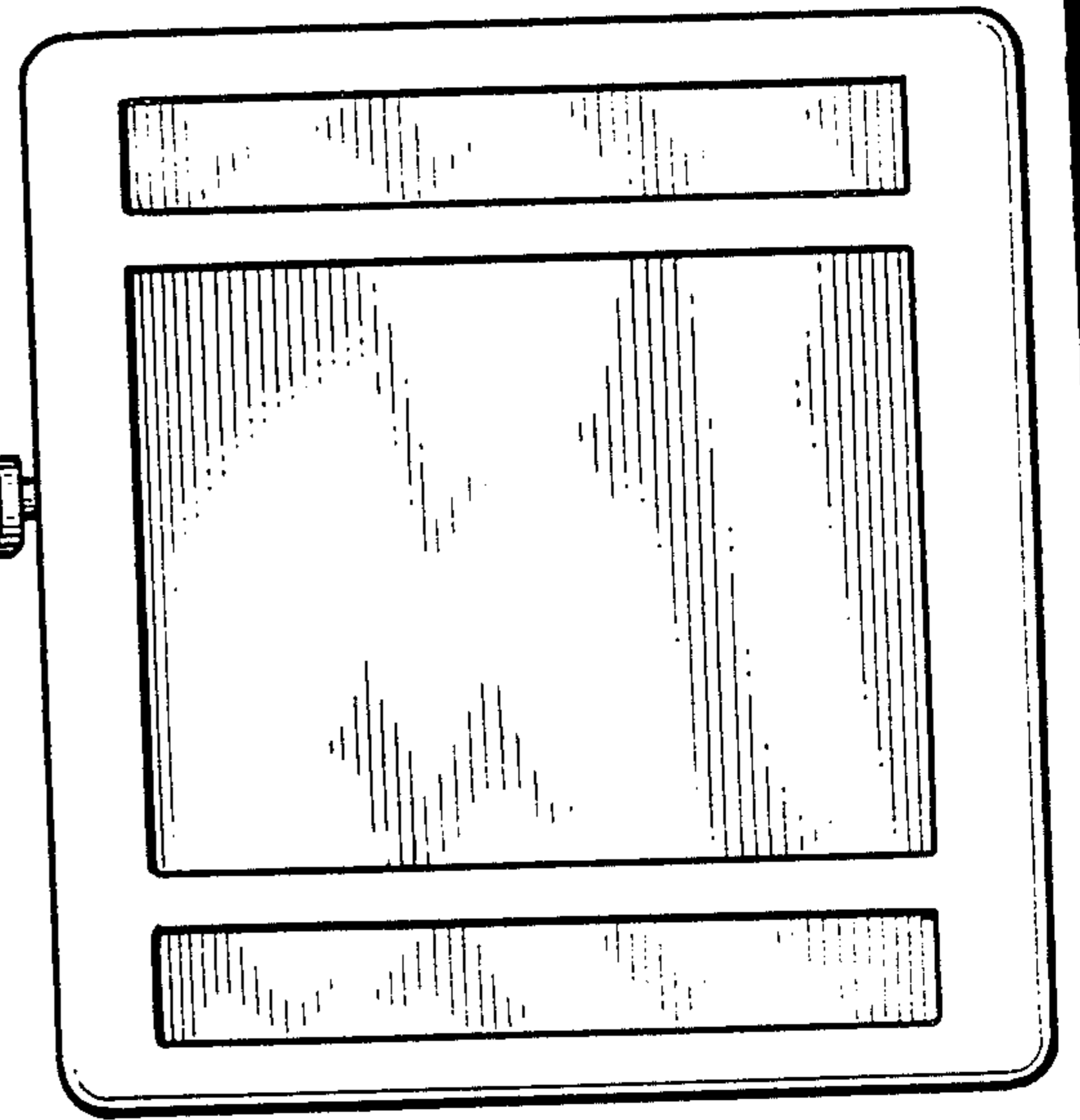


FIG. 2

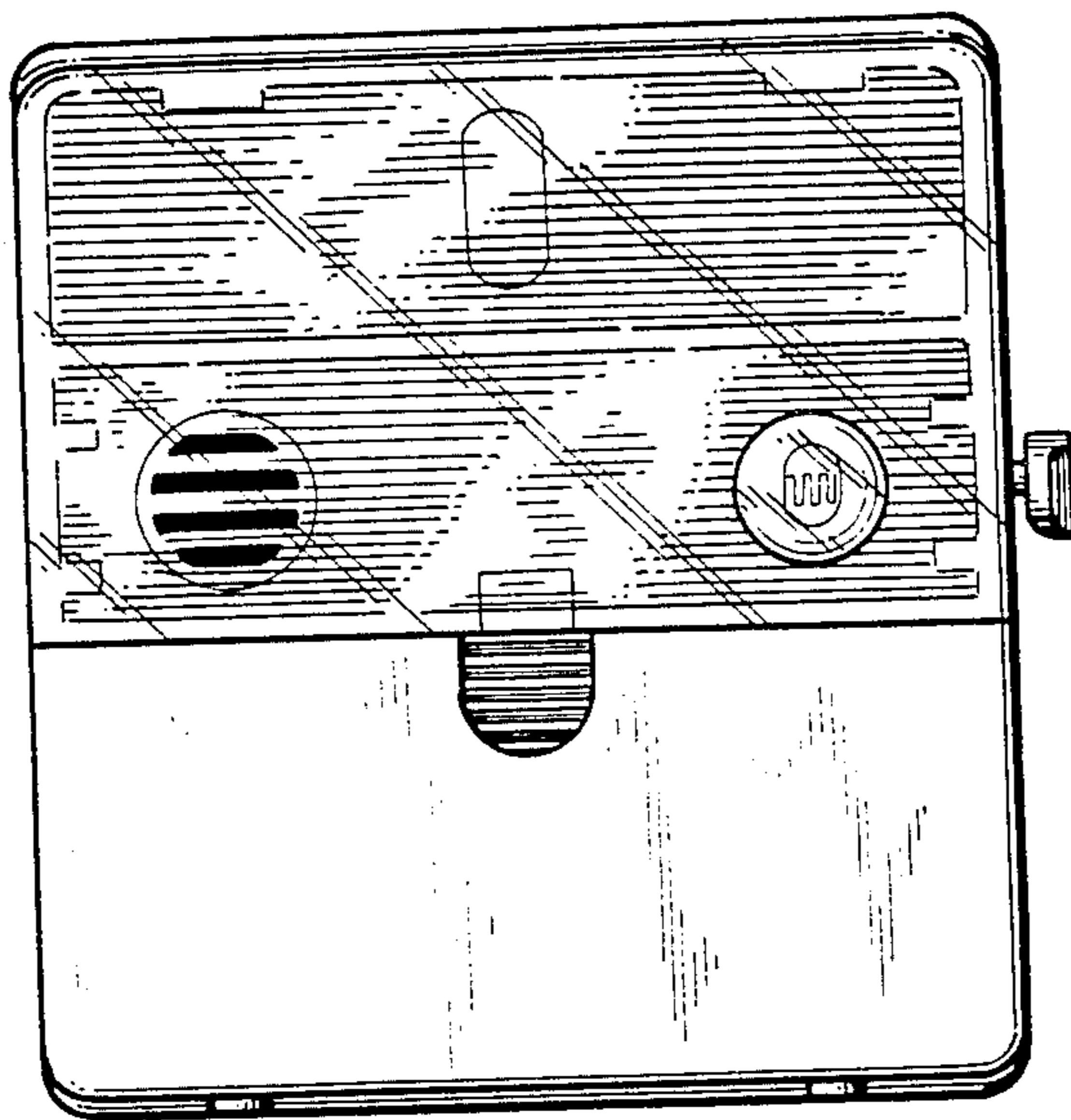


FIG. 3

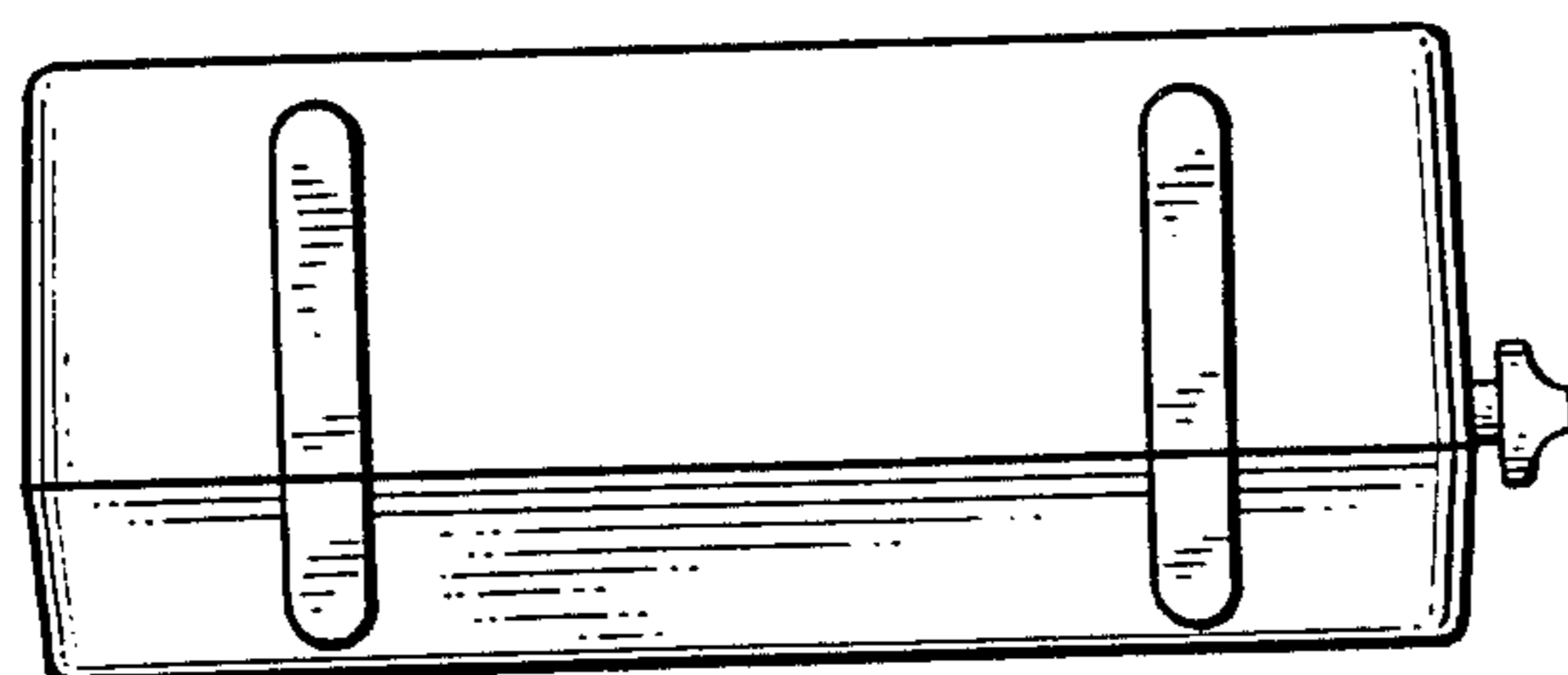
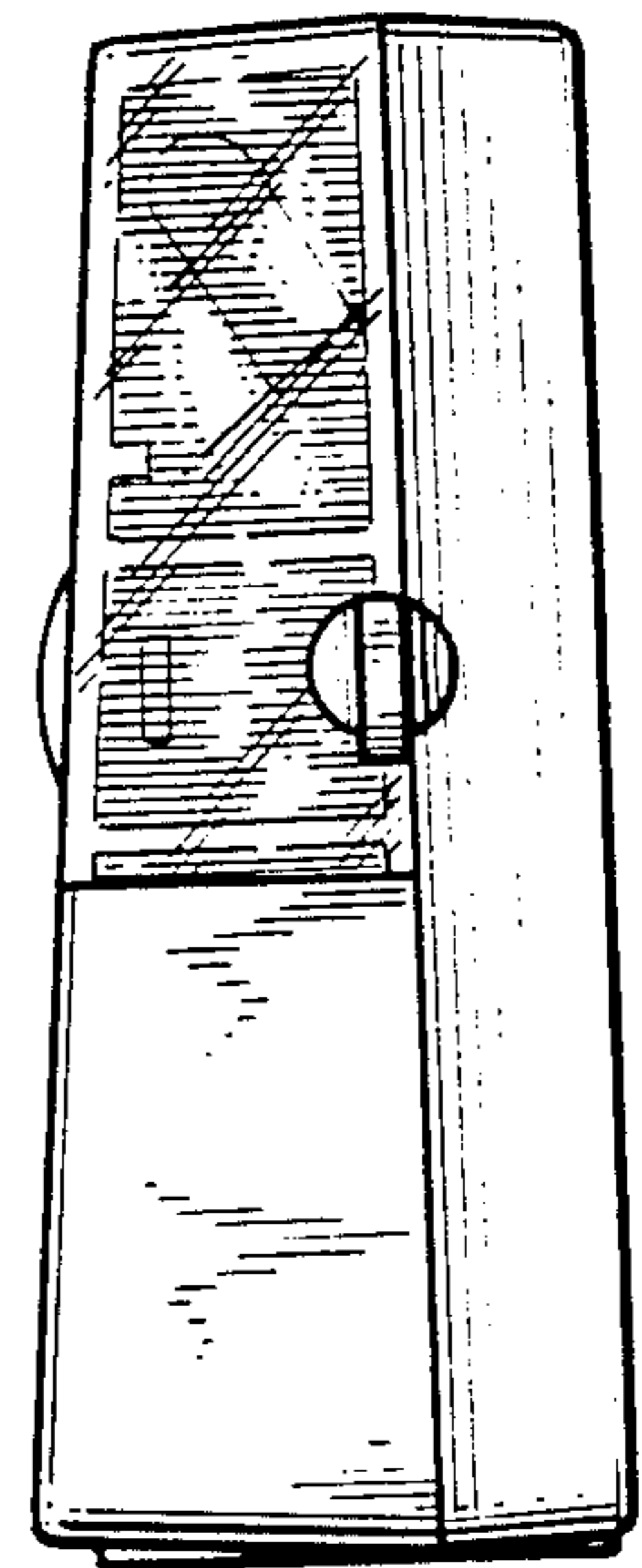


FIG. 5