

[54] NEBULIZER TEE

4,452,239 6/1984 Malem 128/200.14 X

[76] Inventor: Stephen Briggs, 6807 Hickory Ave.,
Orangevale, Calif. 95662

Primary Examiner—A. Hugo Word
Assistant Examiner—Stella M. Reid
Attorney, Agent, or Firm—Mark C. Jacobs

[**] Term: 14 Years

[21] Appl. No.: 756,689

[22] Filed: Jul. 19, 1985

[52] U.S. Cl. D24/62

[58] Field of Search D24/62; 128/200.14,
128/200.21, 200.15, 200.18

[57] CLAIM

The ornamental design for a nebulizer tee, substantially
as shown and described.

DESCRIPTION

FIG. 1 is a perspective view of a neublizer tee showing
my new design;

FIG. 2 is a front elevational view thereof;

FIG. 3 is a side elevational view thereof;

FIG. 4 is a rear elevational view thereof;

FIG. 5 is a top plan view thereof;

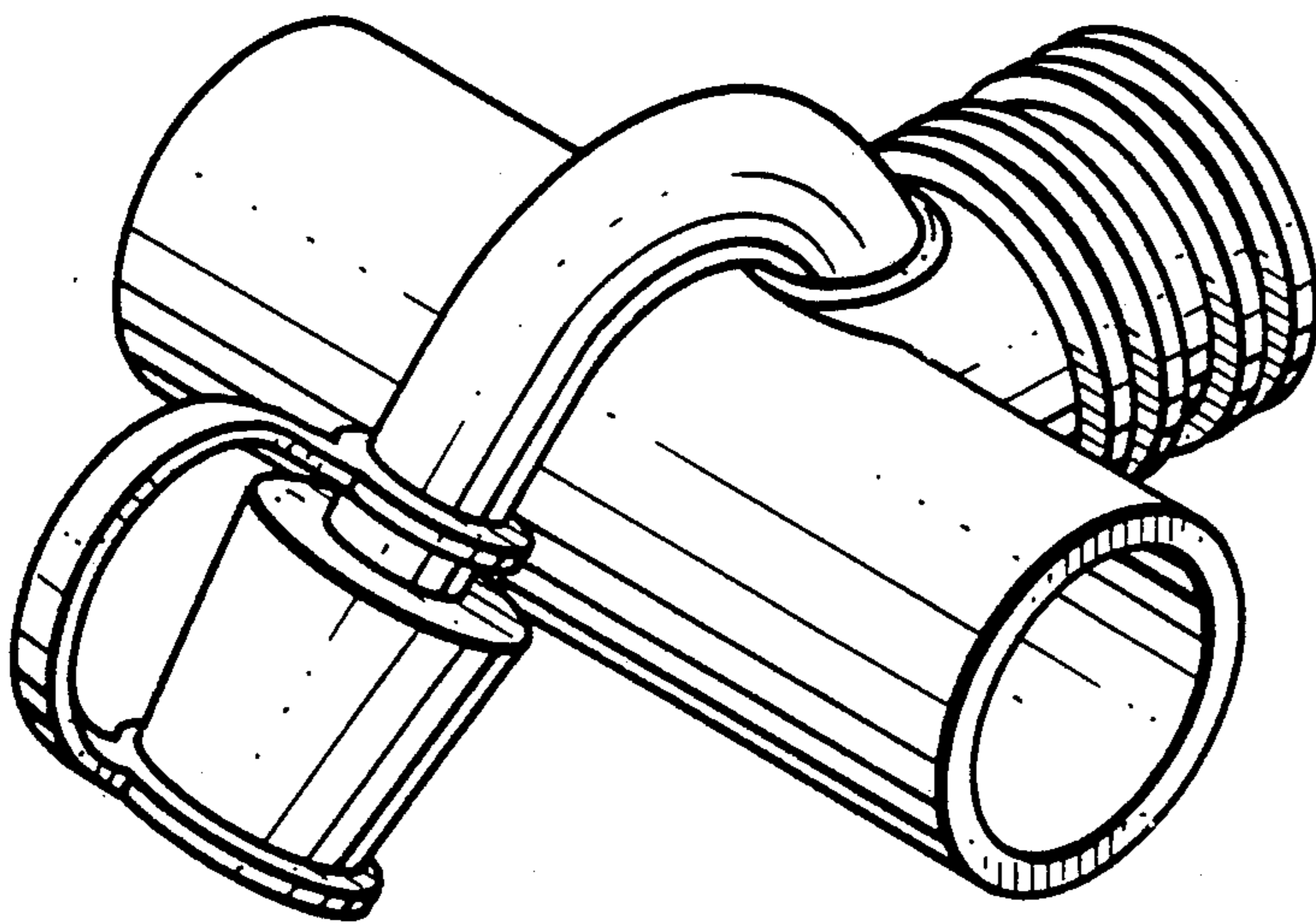
FIG. 6 is a bottom plan view thereof; and

FIG. 7 is a side elevational view thereof taken along line
7—7 of FIG. 2.

[56] References Cited

U.S. PATENT DOCUMENTS

D. 135,468 4/1943 Cheney et al. D24/62
D. 234,641 3/1975 King et al. D24/62
D. 239,737 4/1976 Giurtino D24/62
3,915,386 10/1975 Vora 128/200.18



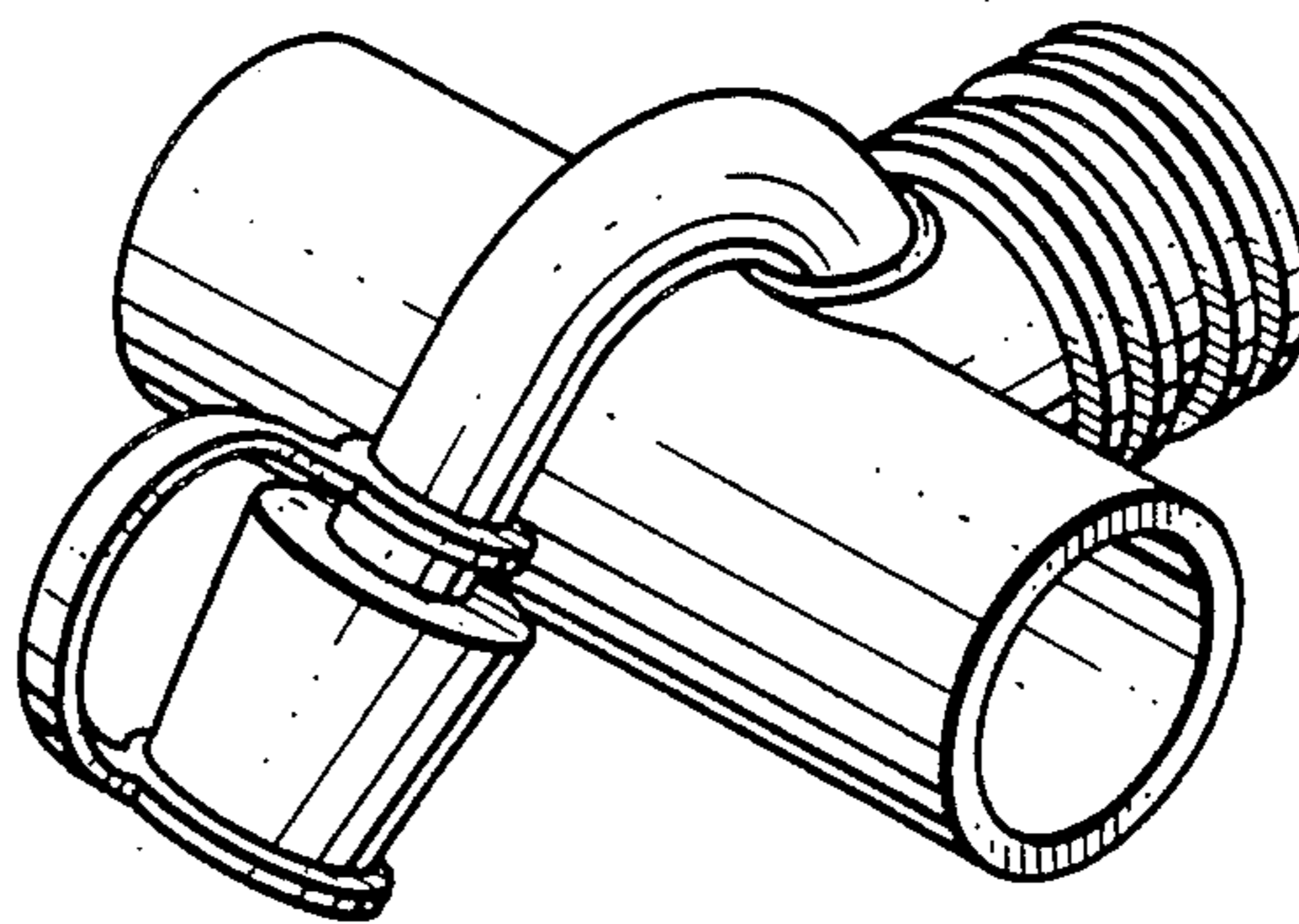


Fig. 1.

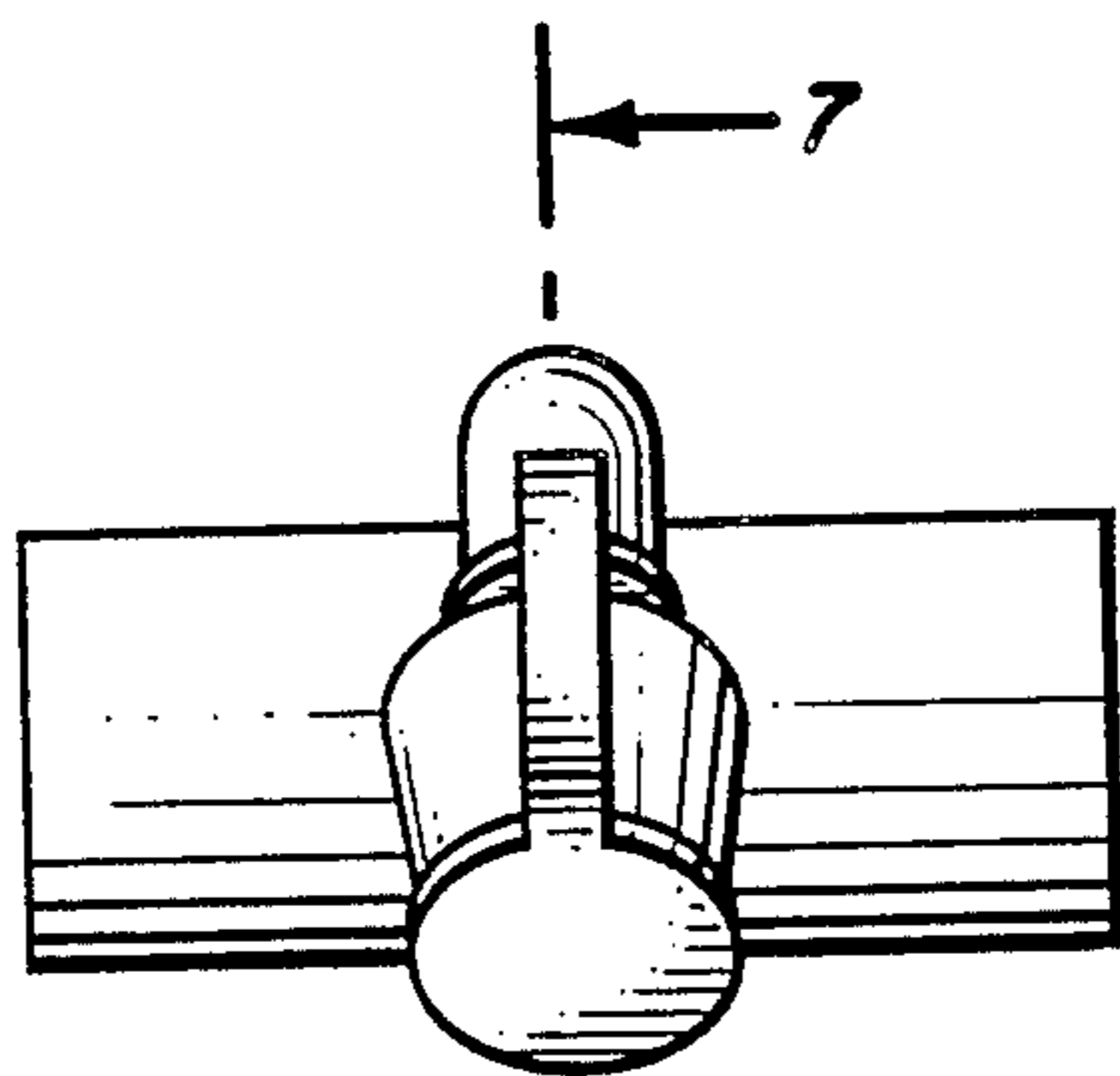


Fig. 2.

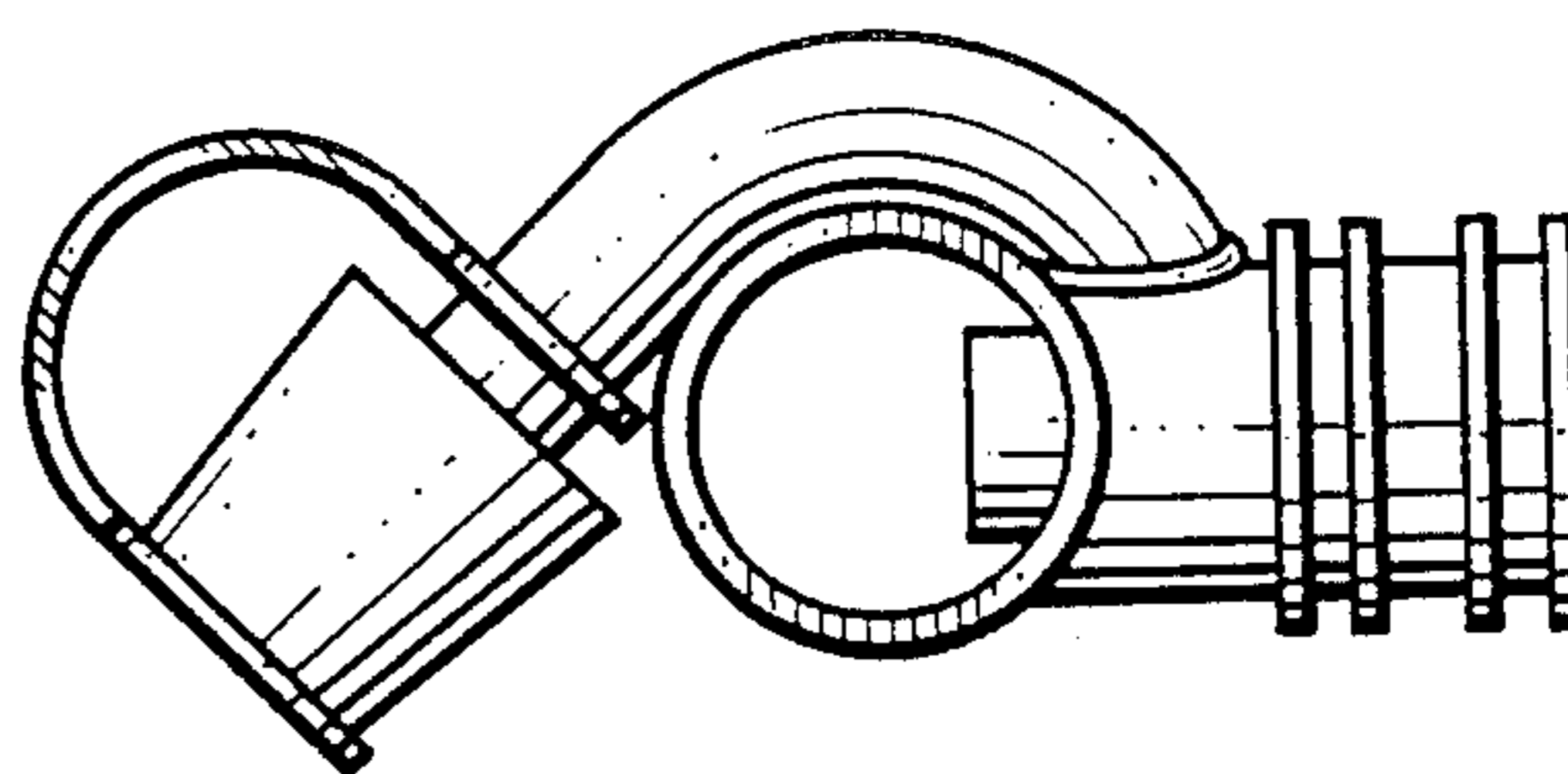


Fig. 3.

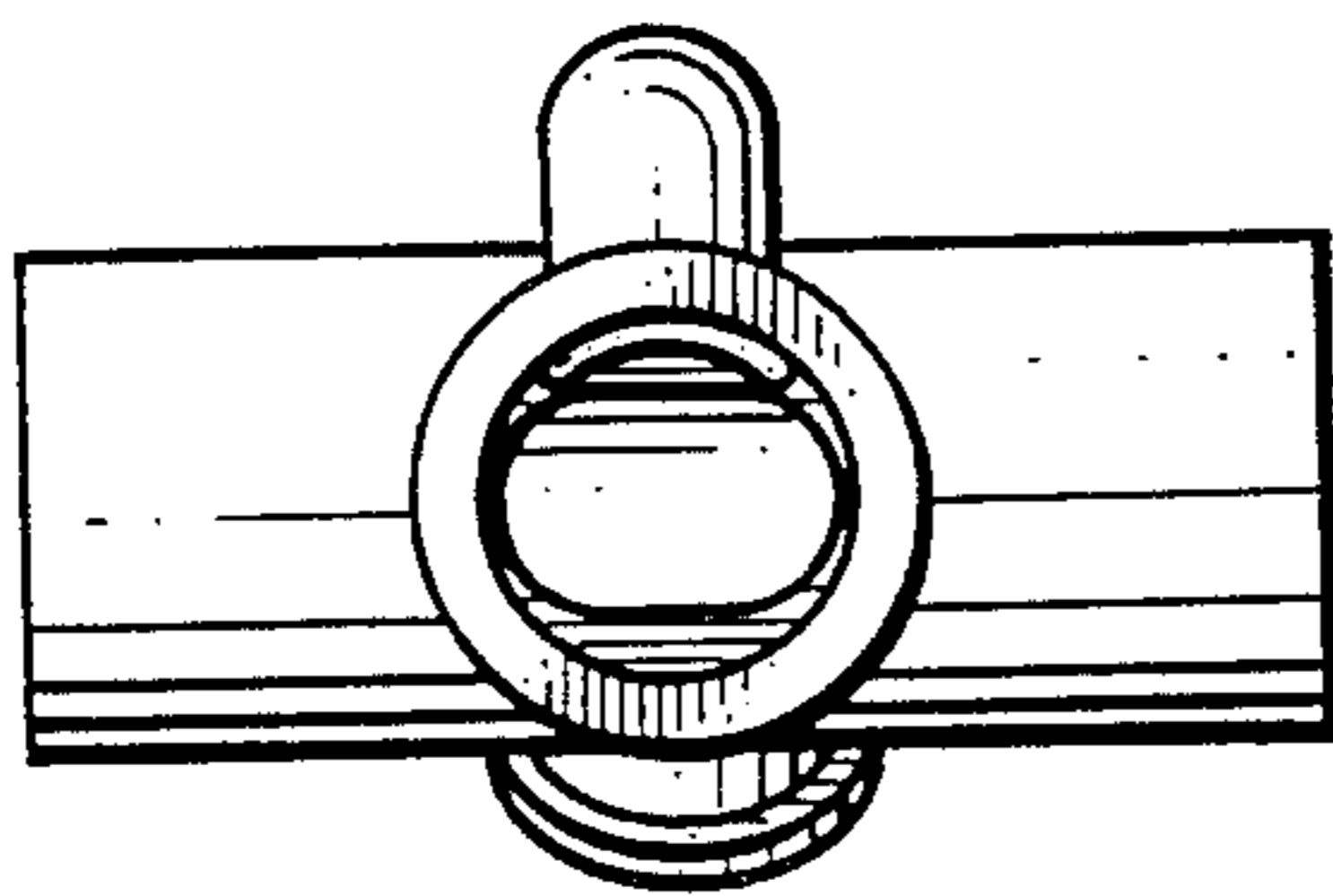


Fig. 4.

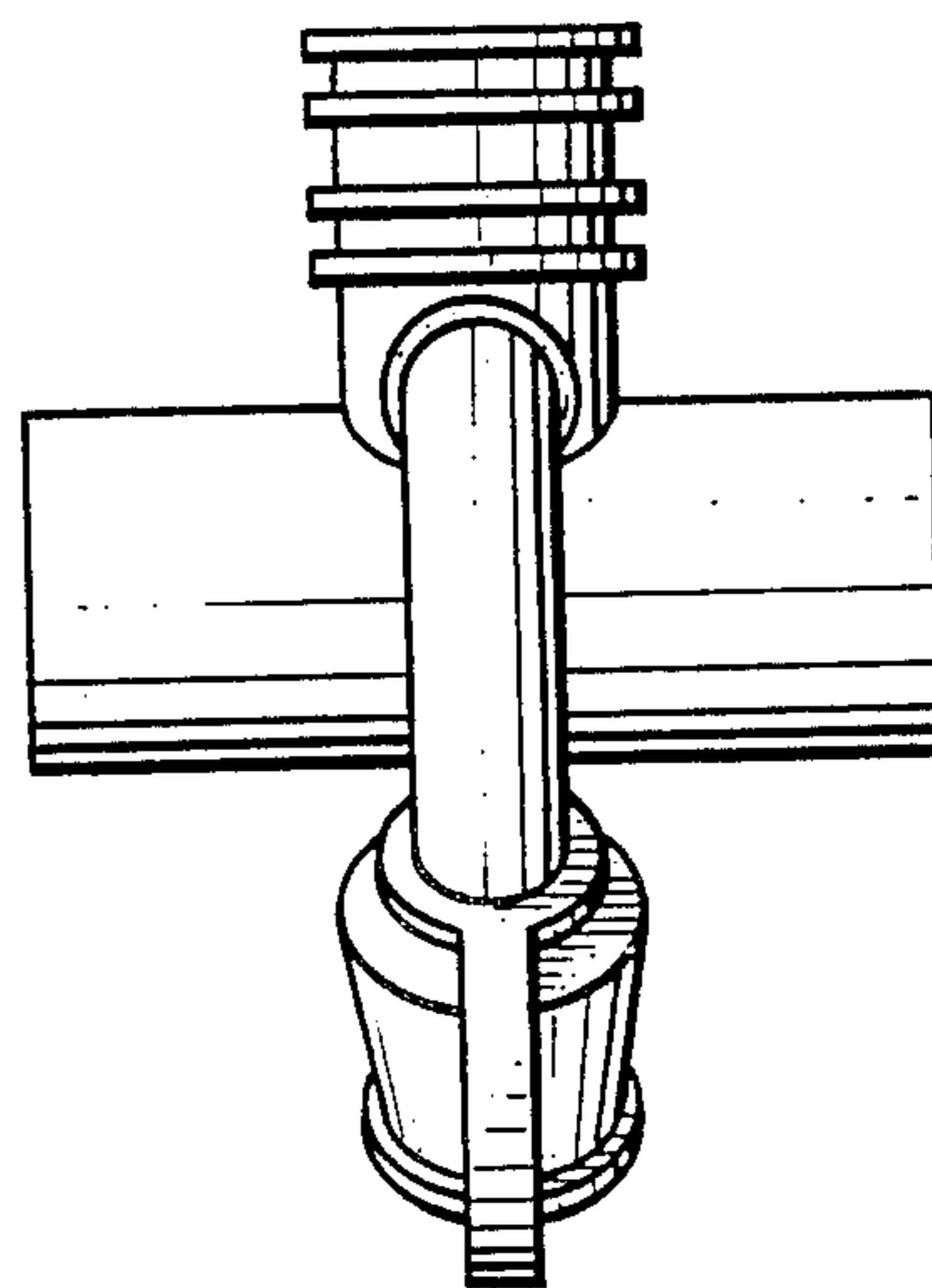


Fig. 5.

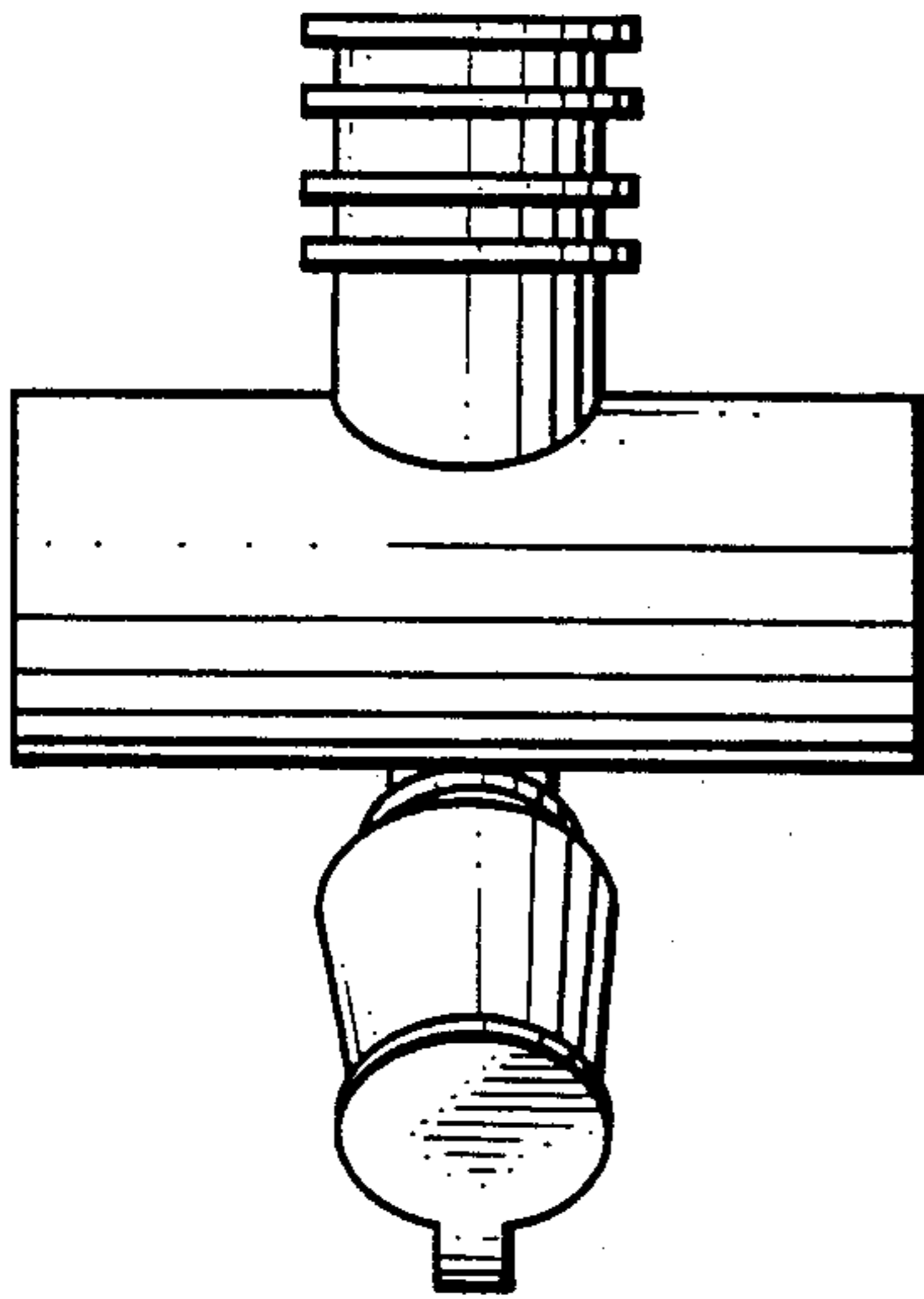


Fig. 6.

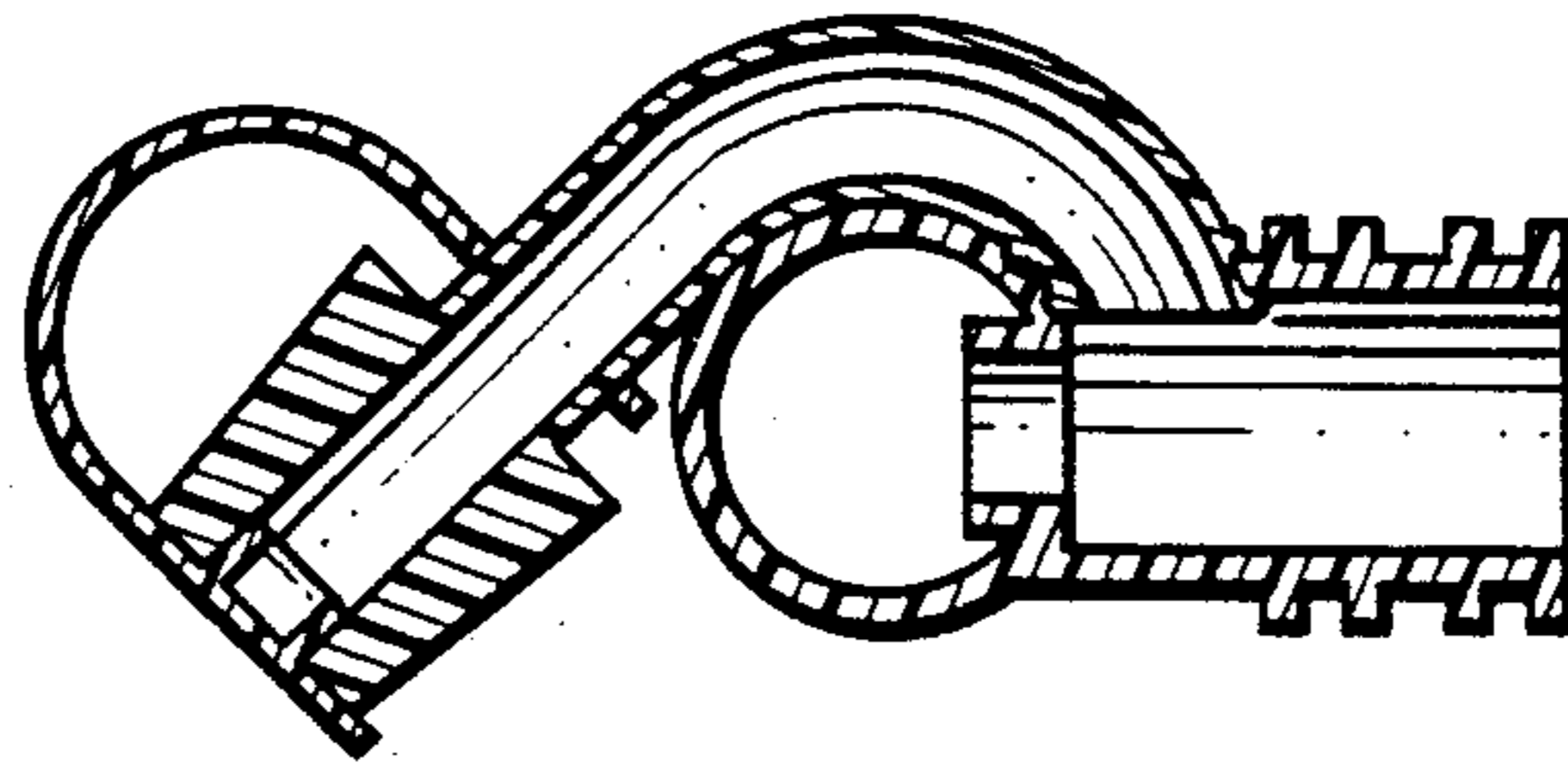


Fig. 7.