

[54] AQUARIUM POWER FILTER

[75] Inventor: Allan H. Willinger, Oakland, N.J.

[73] Assignee: Willinger Bros. Inc., Oakland, N.J.

[**] Term: 14 Years

[21] Appl. No.: 883,532

[22] Filed: Jul. 9, 1986

[52] U.S. Cl. D23/210

[58] Field of Search D23/3, 4; D30/12;
210/169; 119/5

[56] References Cited

U.S. PATENT DOCUMENTS

D. 205,582	8/1966	Willinger	D23/4
D. 215,283	9/1969	Sesholtz	D23/4
4,512,885	4/1985	Willinger	210/169 X

OTHER PUBLICATIONS

Longlife Aquarium Filters brochure (1971) "Quick Change Filter, No. F-008.

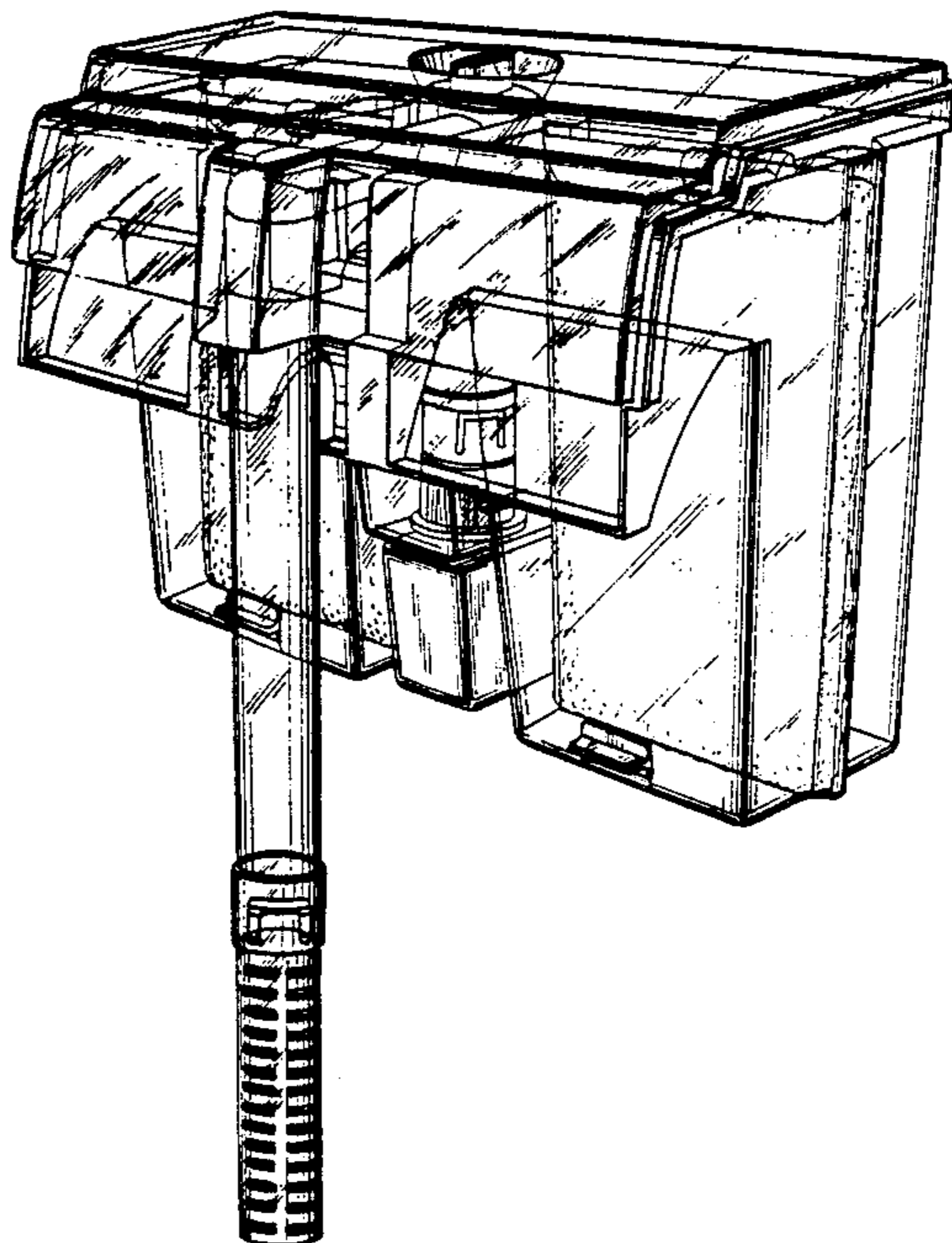
Primary Examiner—B. J. Bullock
Assistant Examiner—Brian N. Vinson
Attorney, Agent, or Firm—Helfgott & Karas

[57] CLAIM

The ornamental design for an aquarium power filter, as shown and described.

DESCRIPTION

FIG. 1 is a top, front and right side perspective view of an aquarium power filter showing my new design; FIG. 2 is a top plan view thereof; FIG. 3 is a left side elevational view thereof, the right sides being a mirror image; FIG. 4 is a rear elevational view thereof; FIG. 5 is a bottom plan view thereof; and FIG. 6 is a top, front and right side perspective view thereof, with portions omitted for clarity of illustration.



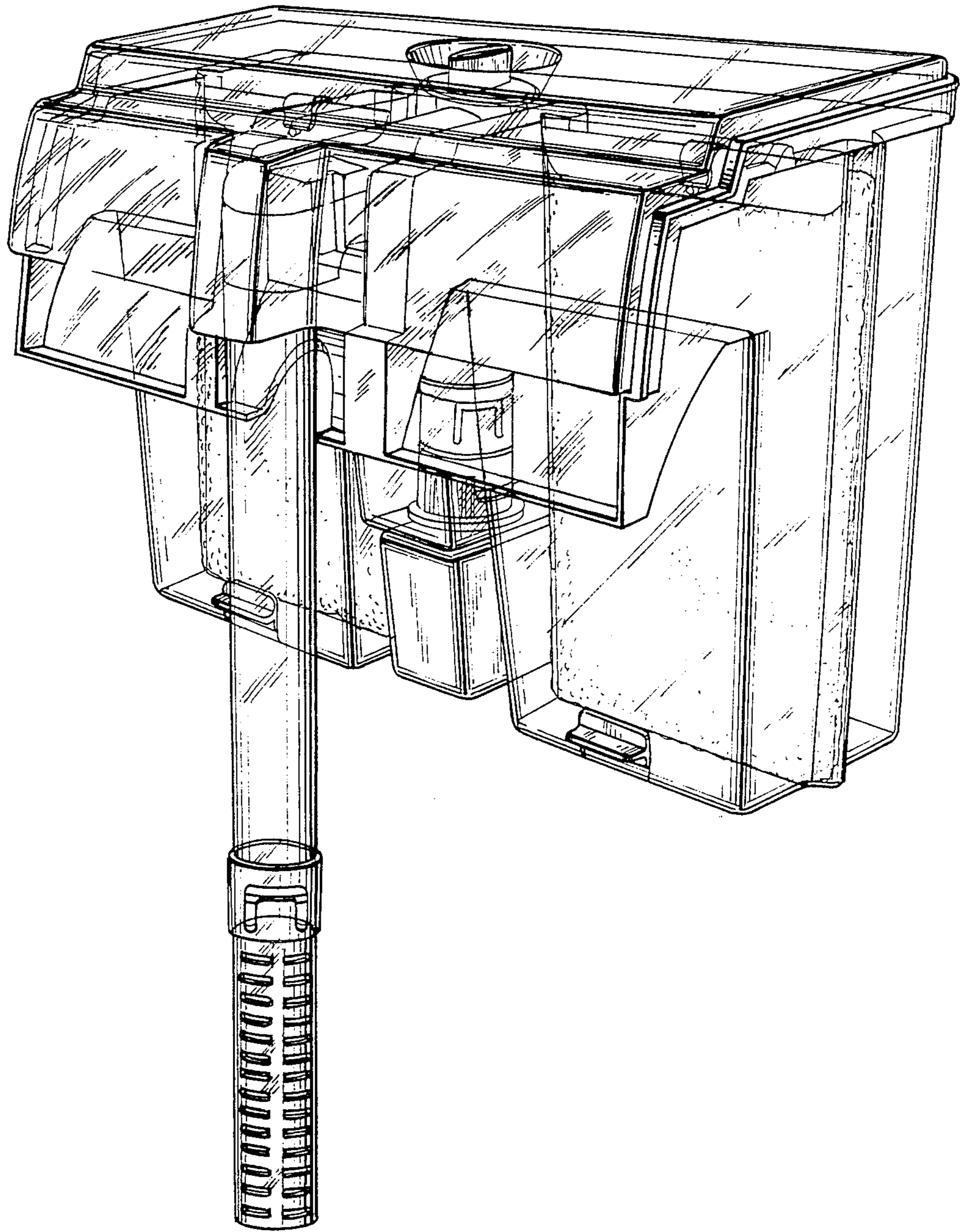


FIG. 1

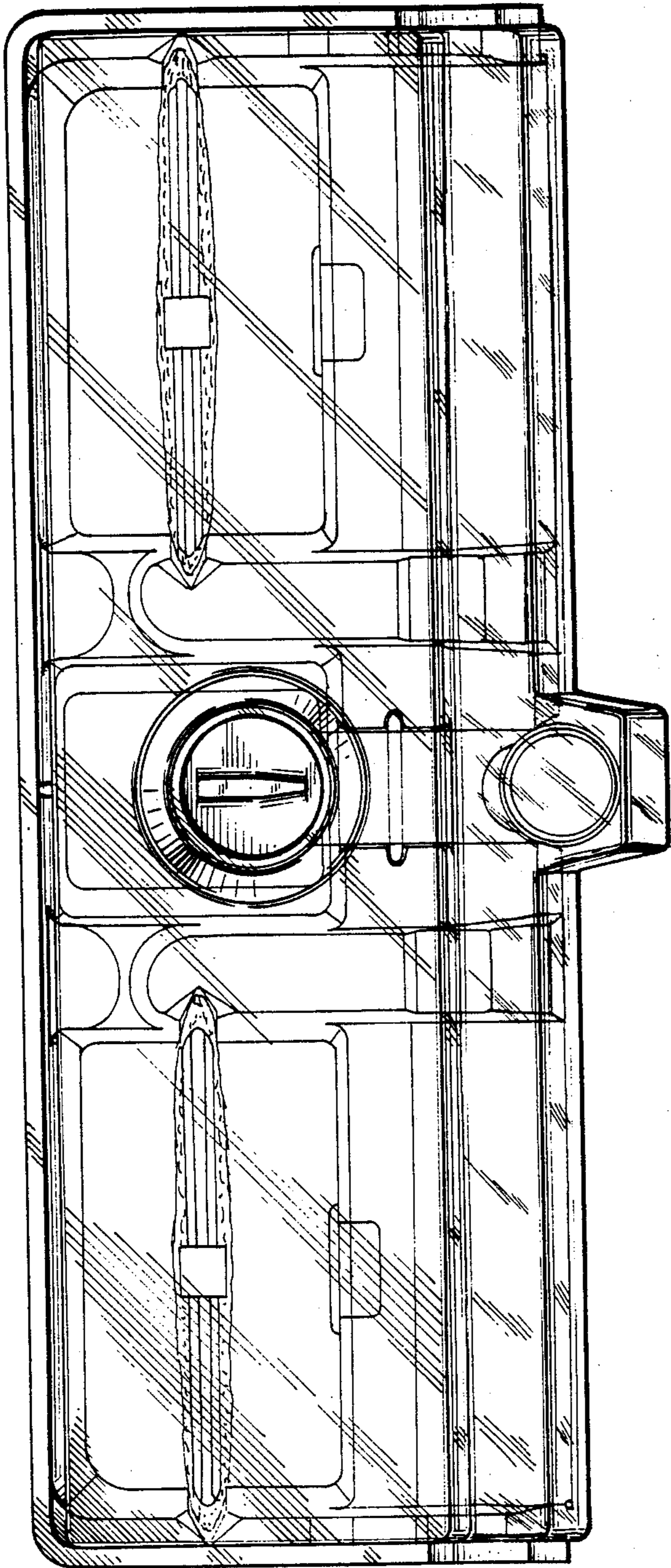


FIG. 2

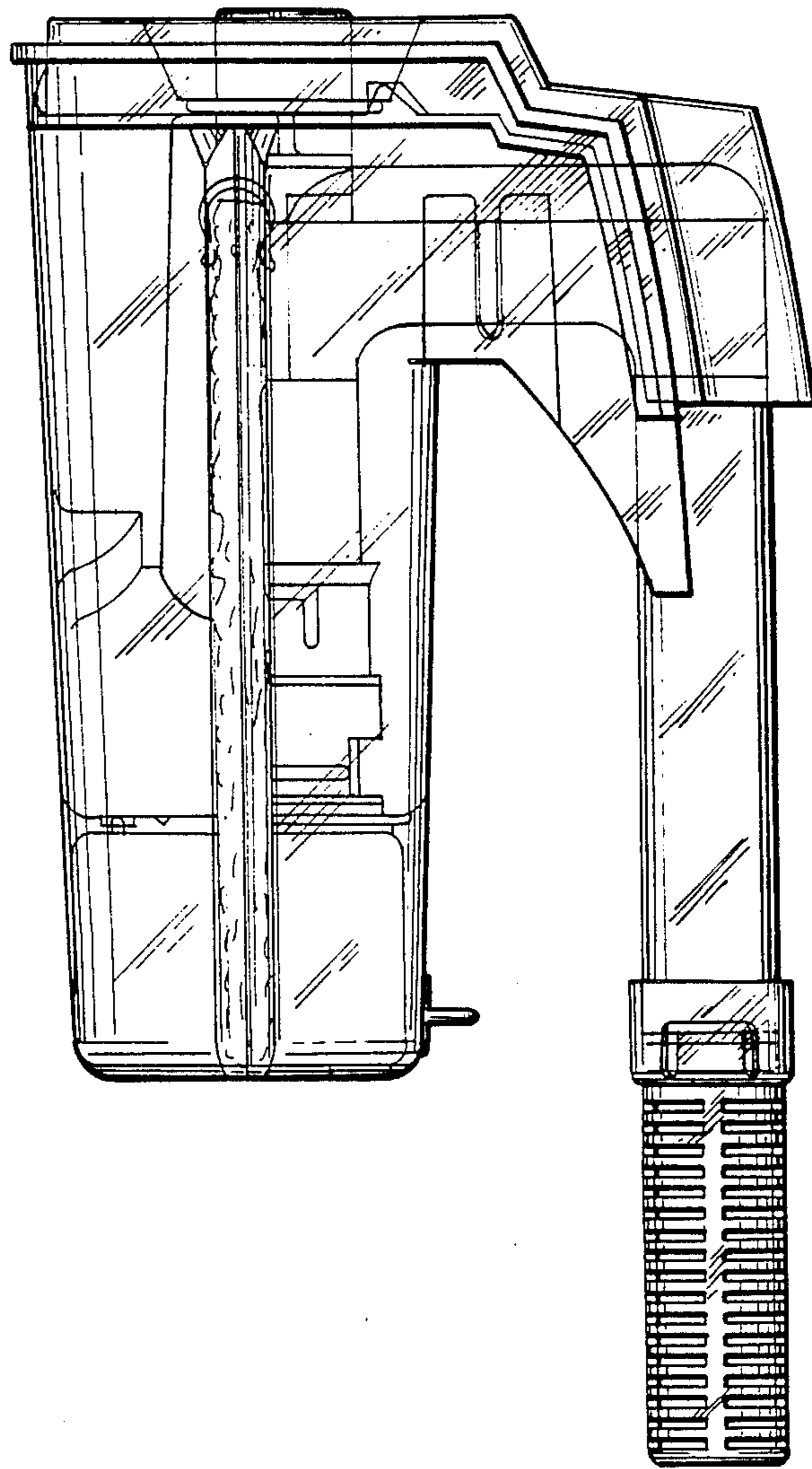


FIG. 3

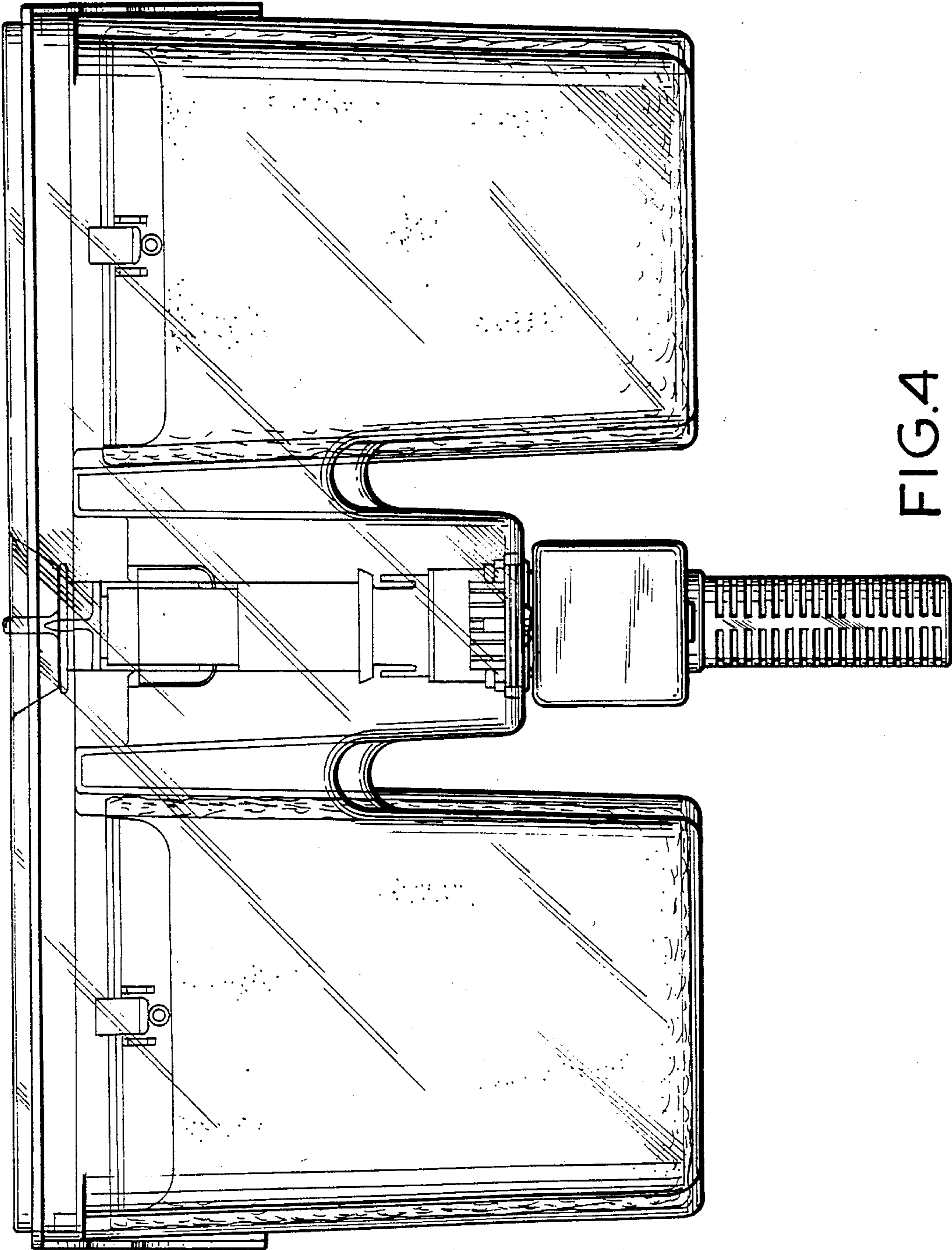


FIG. 4

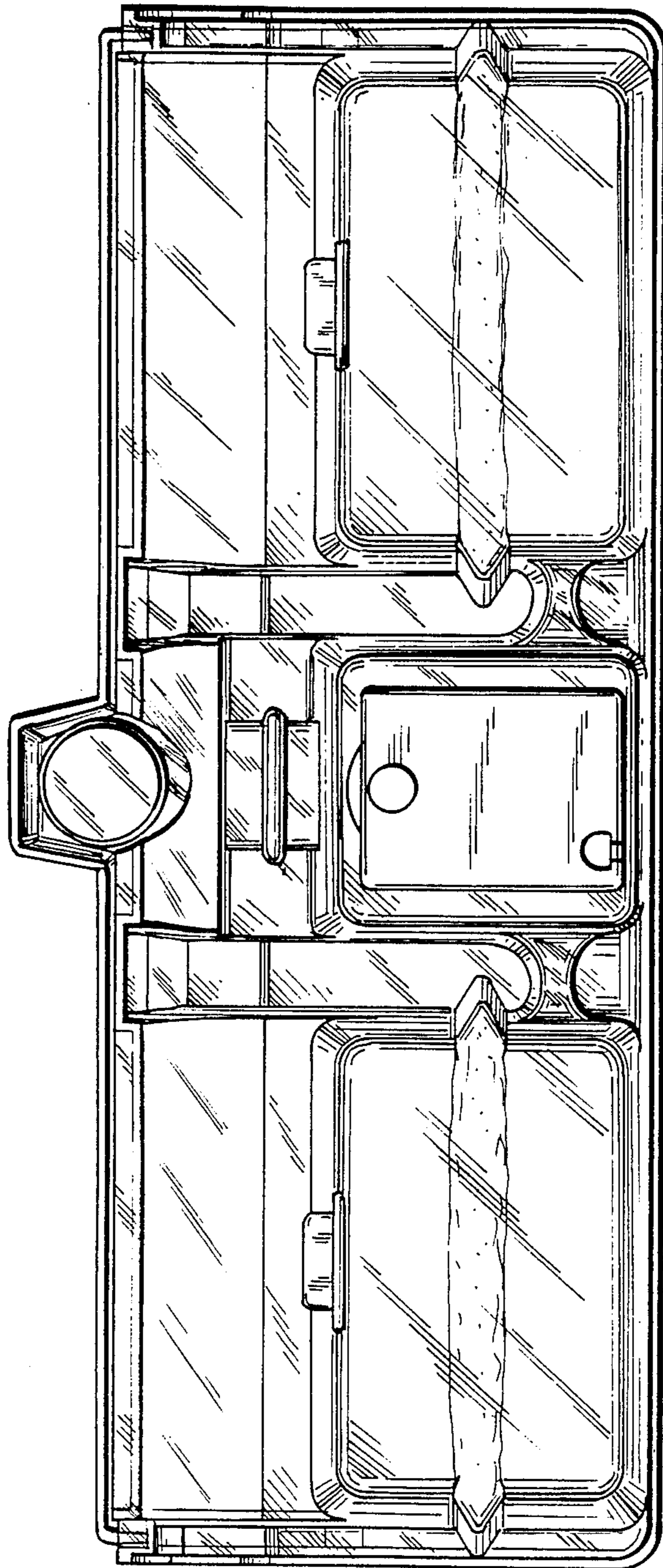


FIG. 5

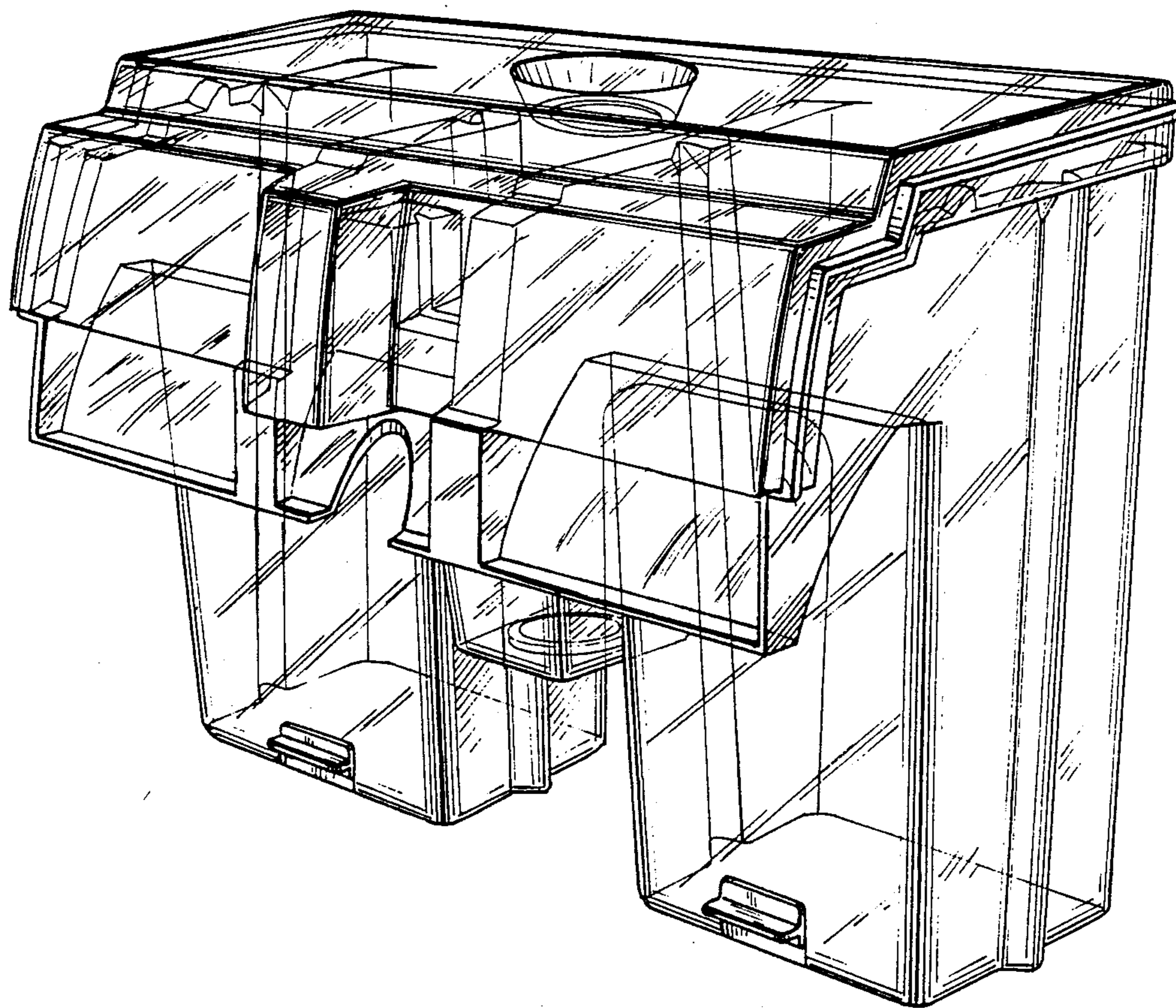


FIG.6