

[54] COMBINED SHOWER HEAD AND CONTROL VALVE

[75] Inventor: Wolfgang Fabian, Mannheim, Fed. Rep. of Germany

[73] Assignee: American Standard Inc., New York, N.Y.

[**] Term: 14 Years

[21] Appl. No.: 35,314

[22] Filed: Apr. 6, 1987

Related U.S. Application Data

[62] Division of Ser. No. 777,476, Sep. 18, 1985.

[30] Foreign Application Priority Data

Mar. 19, 1985 [DE] Fed. Rep. of Germany 20 MR 2050

[52] U.S. Cl. D23/283; D23/229; D23/250

[58] Field of Search D23/23-32, D23/34-37, 57; 4/567, 568, 570, 615; 239/280.5-283, 588, 750, 752

[56] References Cited

U.S. PATENT DOCUMENTS

D. 177,288	3/1956	Tiller	D23/35
D. 217,548	5/1970	Niemann	D23/35 X
D. 228,498	10/1973	Ritzenthaler	D23/35 X
D. 245,093	7/1977	Saether	D23/35 X
D. 258,836	4/1981	Saporito et al.	D23/26
D. 263,865	4/1982	Yamin	D23/35
D. 263,867	4/1982	Thompson	D23/35
D. 267,812	2/1983	Haug	D23/35
D. 268,609	4/1983	Thompson	D23/35
D. 271,705	12/1983	Fabian	D23/26

Primary Examiner—James R. Largen

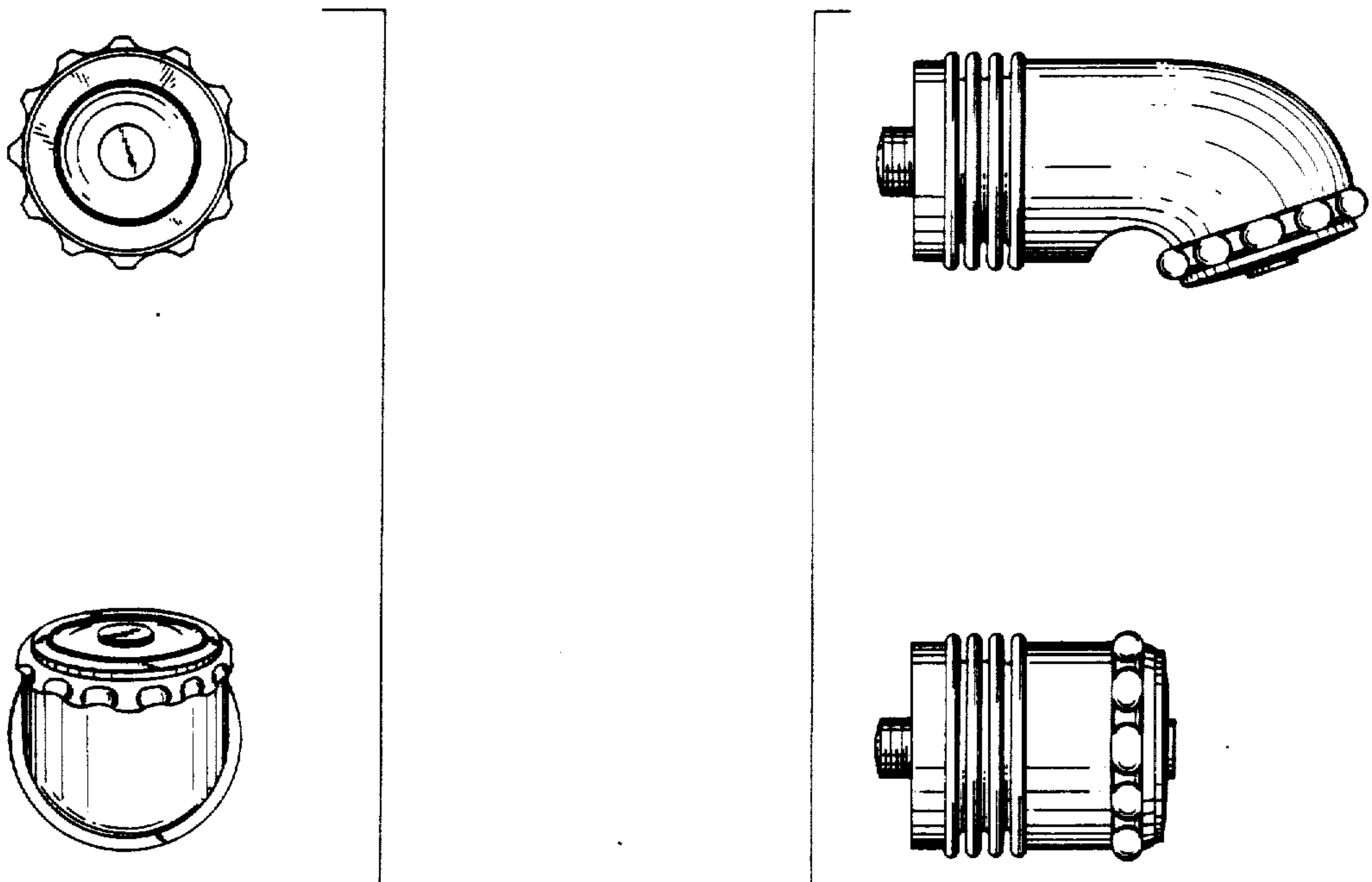
Attorney, Agent, or Firm—James J. Salerno, Jr.; Robert G. Crooks; John P. Sinnott

[57] CLAIM

The ornamental design for a combined shower head and control valve, substantially as shown and described.

DESCRIPTION

FIG. 1 is a front elevational view of a combined shower head and control valve, showing my new design; FIG. 2 is a left side elevational view thereof, the right side being a mirror image of the left side shown; FIG. 3 is a top plan view of the shower head portion thereof; and, FIG. 4 is a bottom plan view of FIG. 3.



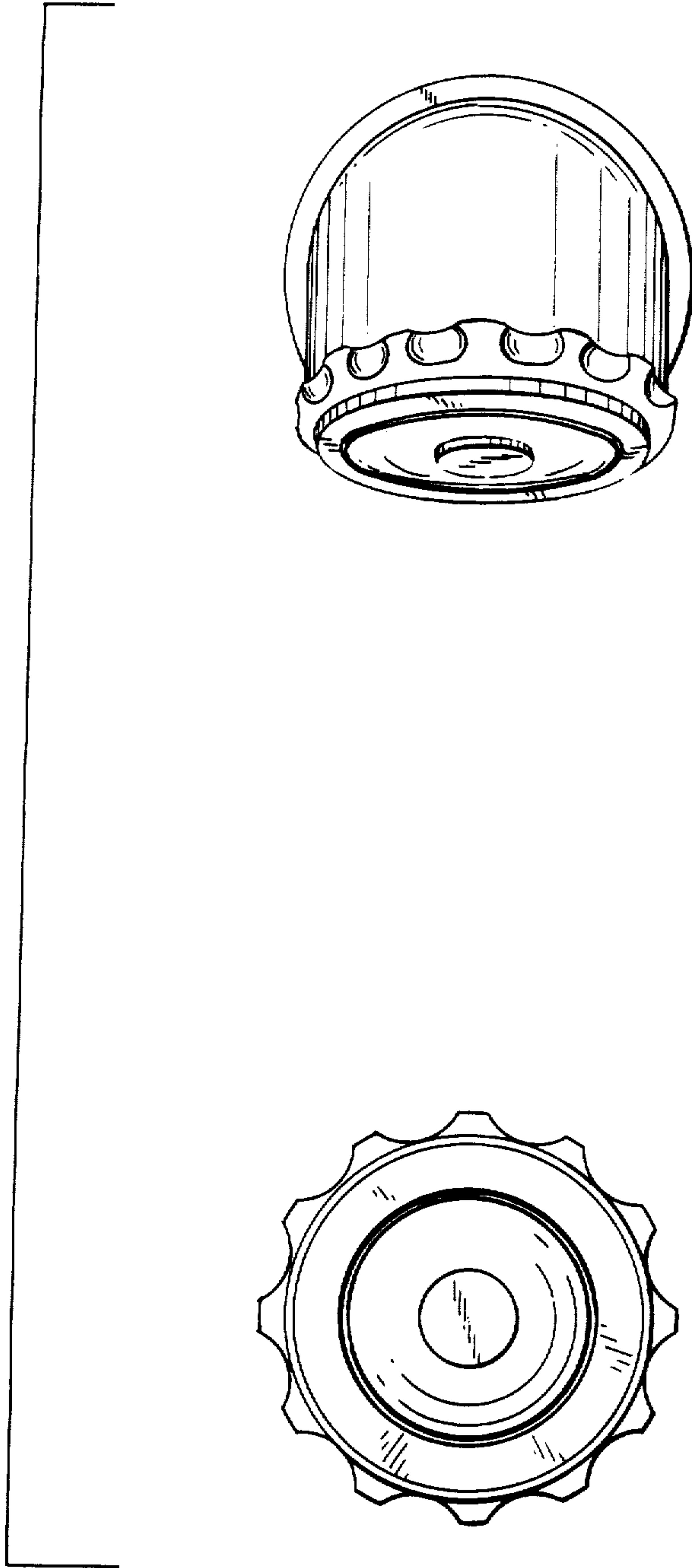


FIG. 1

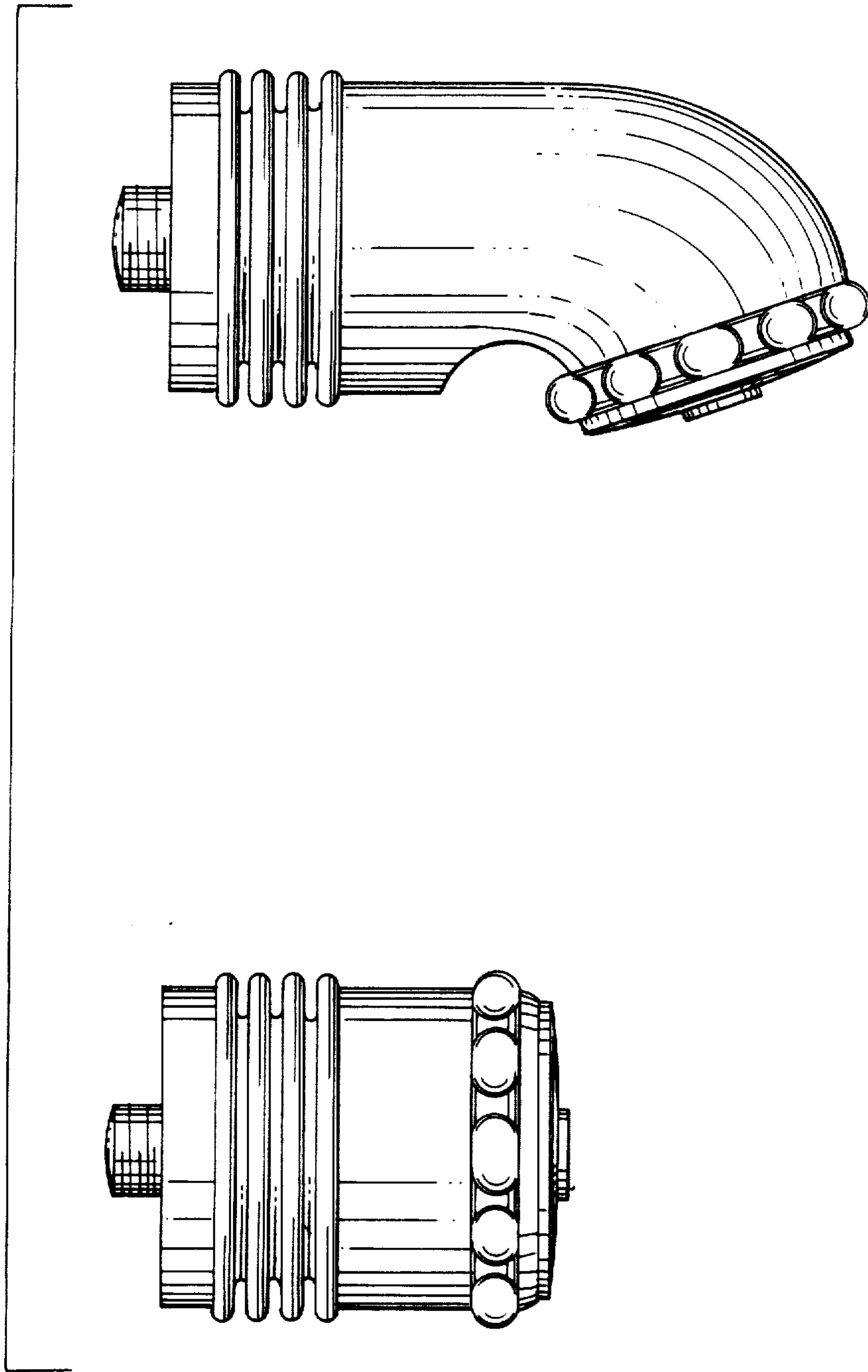


FIG. 2

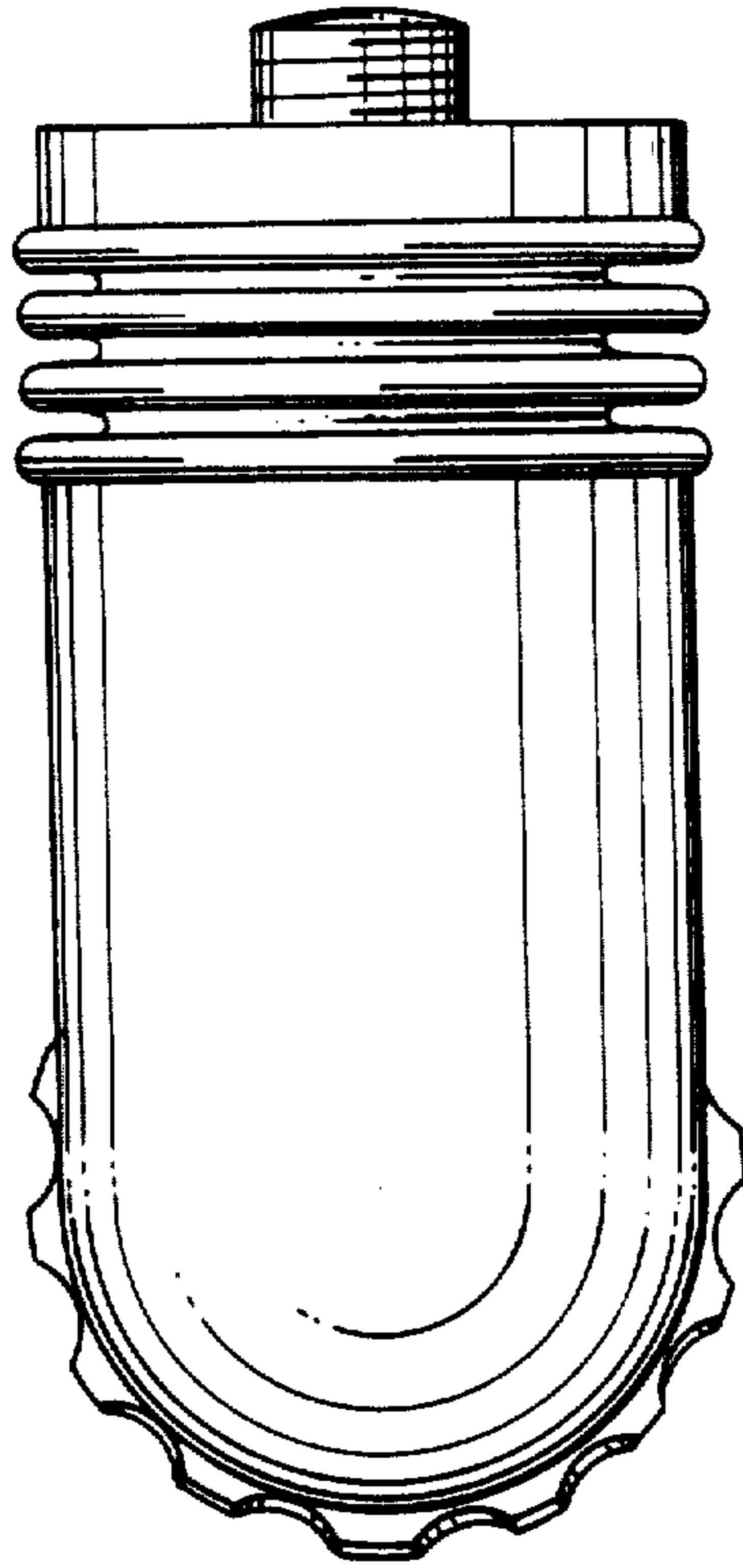


FIG. 3

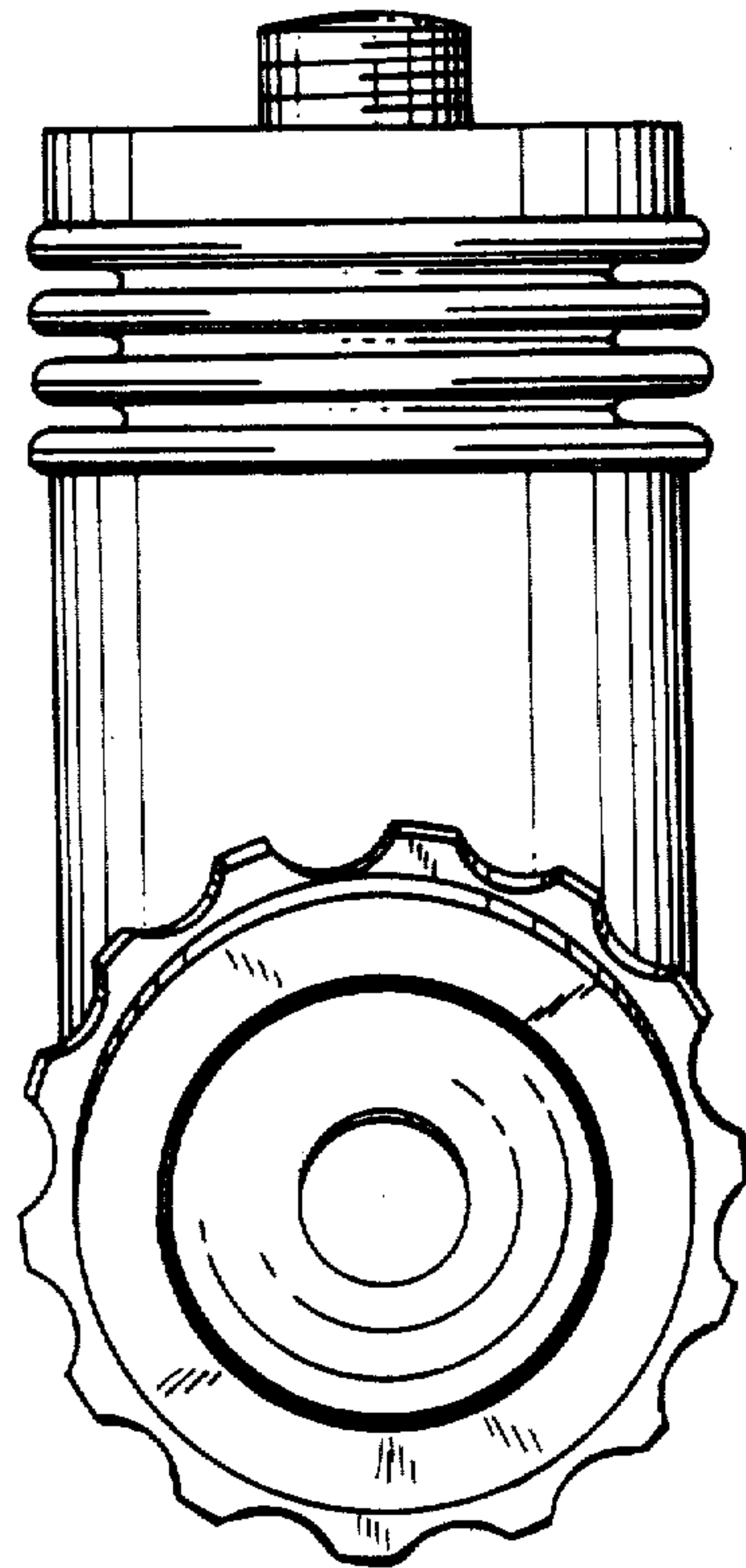


FIG. 4

UNITED STATES PATENT AND TRADEMARK OFFICE
CERTIFICATE OF CORRECTION

PATENT NO. : Des. 294,168
DATED : February 9, 1988
INVENTOR(S) : Wolfgang Fabian

It is certified that error appears in the above-identified patent and that said Letters Patent is hereby corrected as shown below:

In the title, change "VALUE" to "VALVE".

**Signed and Sealed this
Twenty-first Day of June, 1988**

Attest:

Attesting Officer

DONALD J. QUIGG

Commissioner of Patents and Trademarks