

United States Patent [19]

Matsumoto

[11] Patent Number: **Des. 294,157**

[45] Date of Patent: **** Feb. 9, 1988**

[54] **ASSEMBLED HUMANOID ROBOT TOY**

[75] Inventor: **Kaoru Matsumoto, Tokyo, Japan**

[73] Assignee: **Takara Co., Ltd., Tokyo, Japan**

[**] Term: **14 Years**

[21] Appl. No.: **806,786**

[22] Filed: **Dec. 9, 1985**

[30] **Foreign Application Priority Data**

Oct. 24, 1985 [JP] Japan 60-44746

[52] U.S. Cl. **D21/150; D21/128**

[58] Field of Search **D21/150; 446/376, 487, 446/99, 100, 71-75**

[56] **References Cited**

U.S. PATENT DOCUMENTS

D. 281,001 10/1985 Ohno D21/150

D. 283,717 5/1986 Obara D21/150

D. 287,381 12/1986 Ohno D21/150

D. 288,342 2/1987 Ohno D21/150

Primary Examiner—Melvin B. Feifer

Attorney, Agent, or Firm—Price, Gess & Ubell

[57] CLAIM

The ornamental design for an assembled humanoid robot toy, substantially as shown and described.

DESCRIPTION

FIG. 1 is a front side perspective view of a assembled humanoid robot toy showing my new design;

FIG. 2 is a front elevational view thereof;

FIG. 3 is a right side elevational view thereof;

FIG. 4 is a left side elevational view thereof;

FIG. 5 is a rear elevational view thereof;

FIG. 6 is a top plan view thereof; and

FIG. 7 is a bottom plan view thereof.

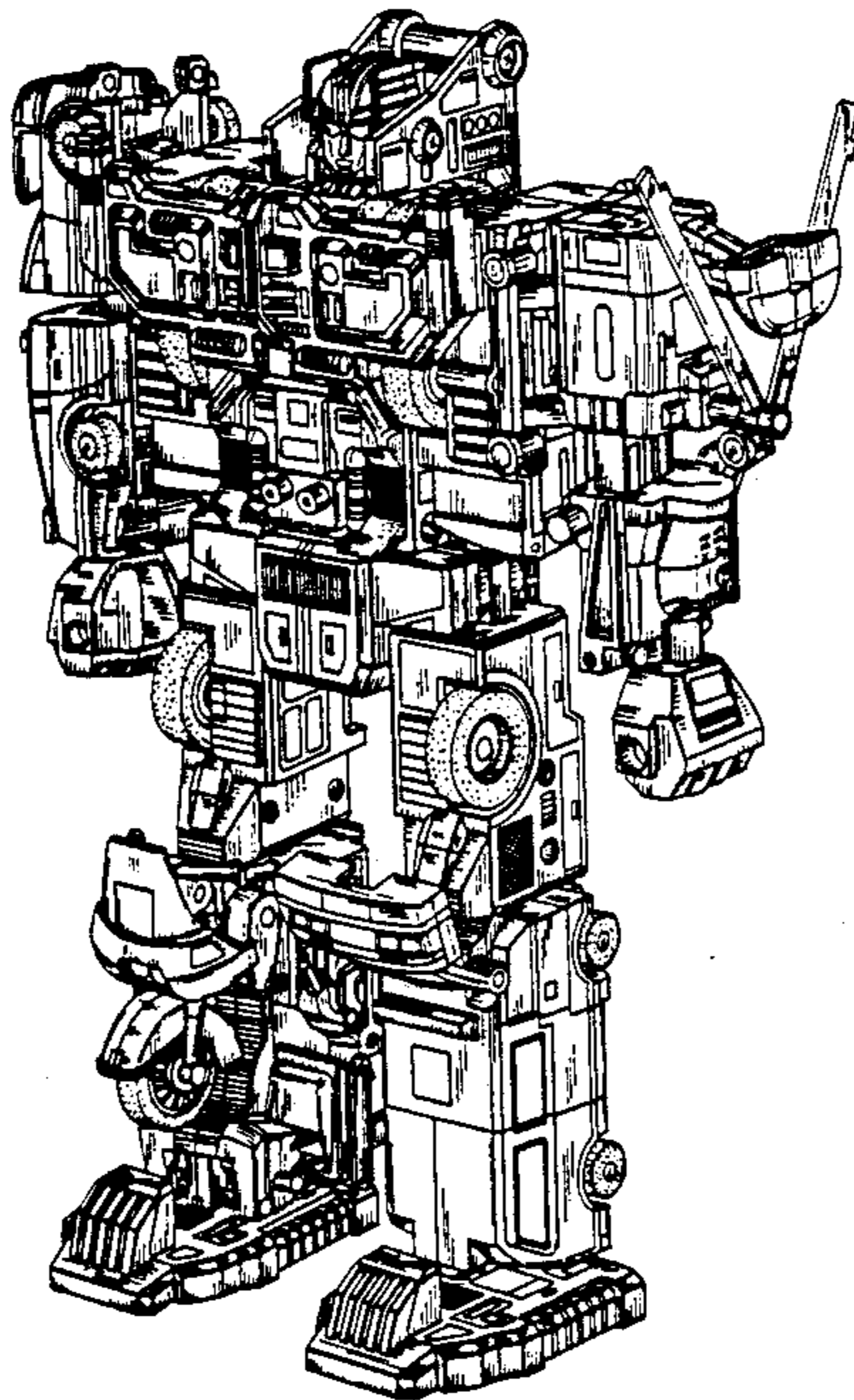


FIG. 1

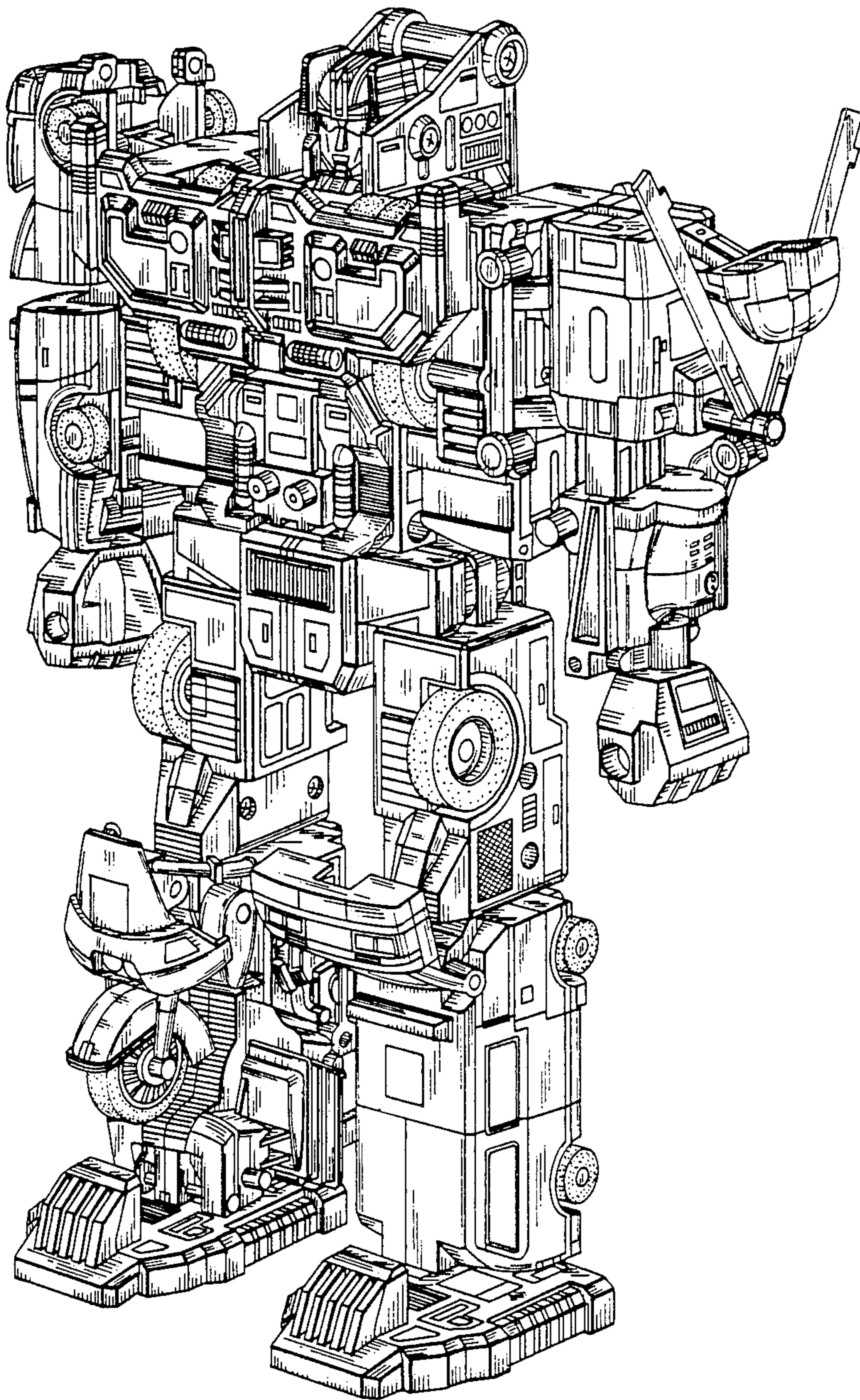


FIG. 2

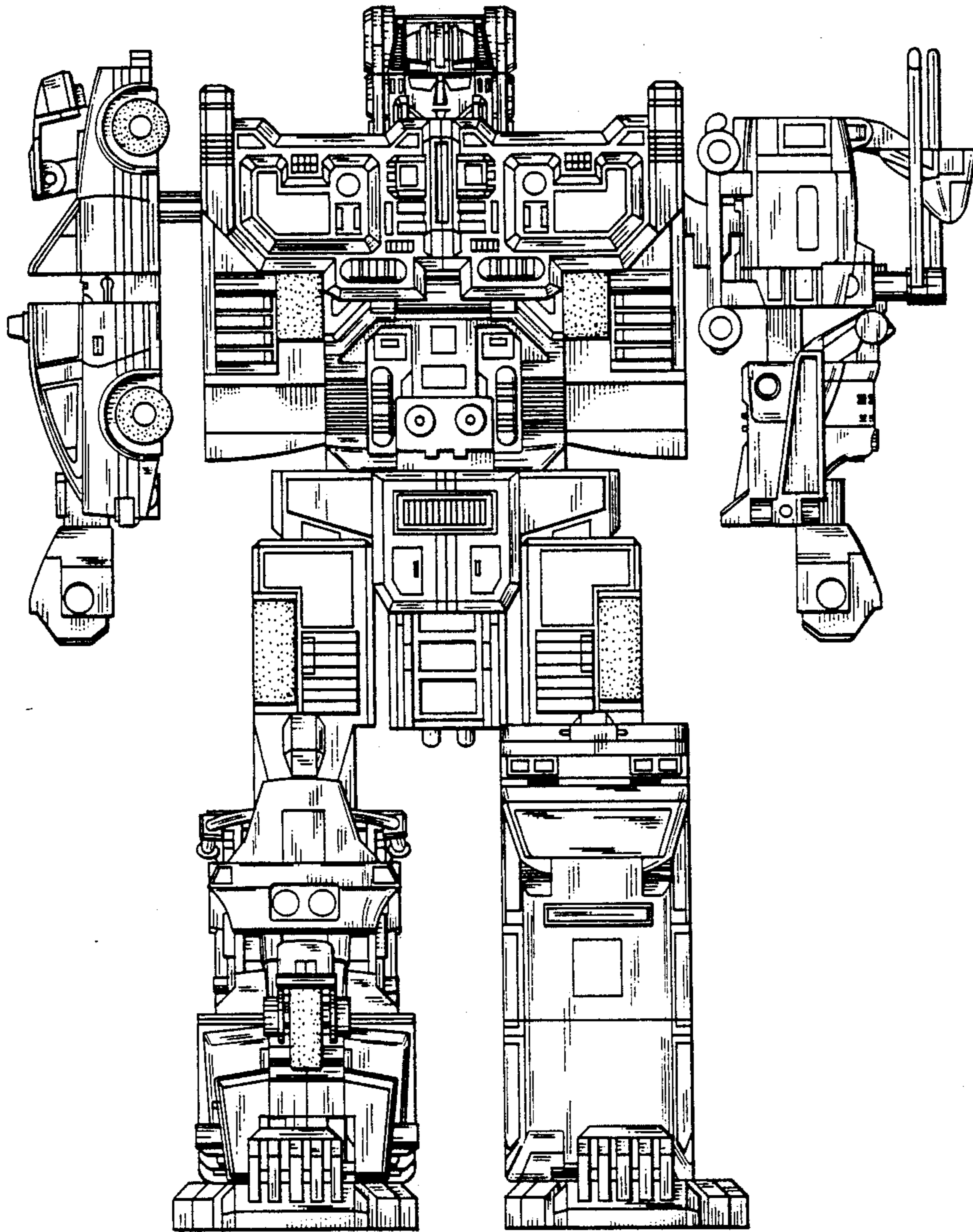


FIG. 3

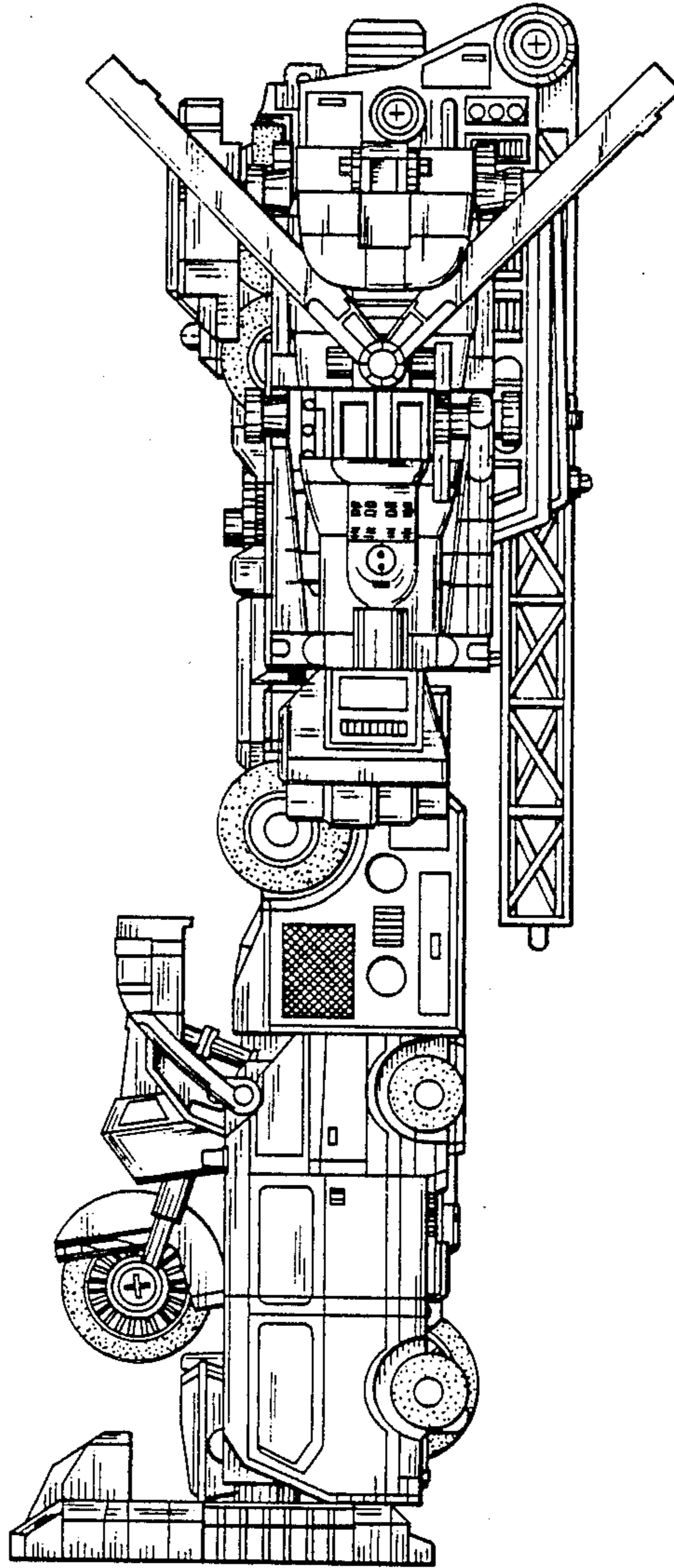


FIG. 4

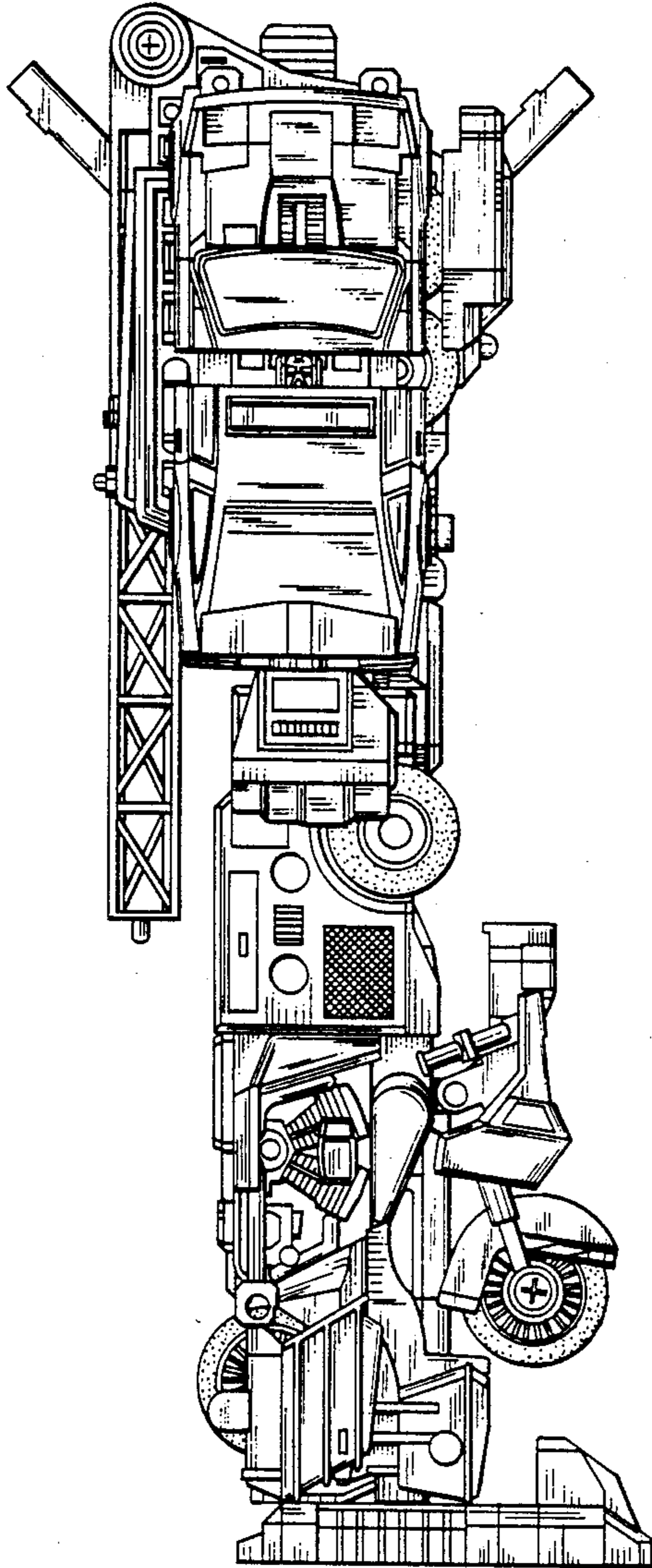


FIG. 5

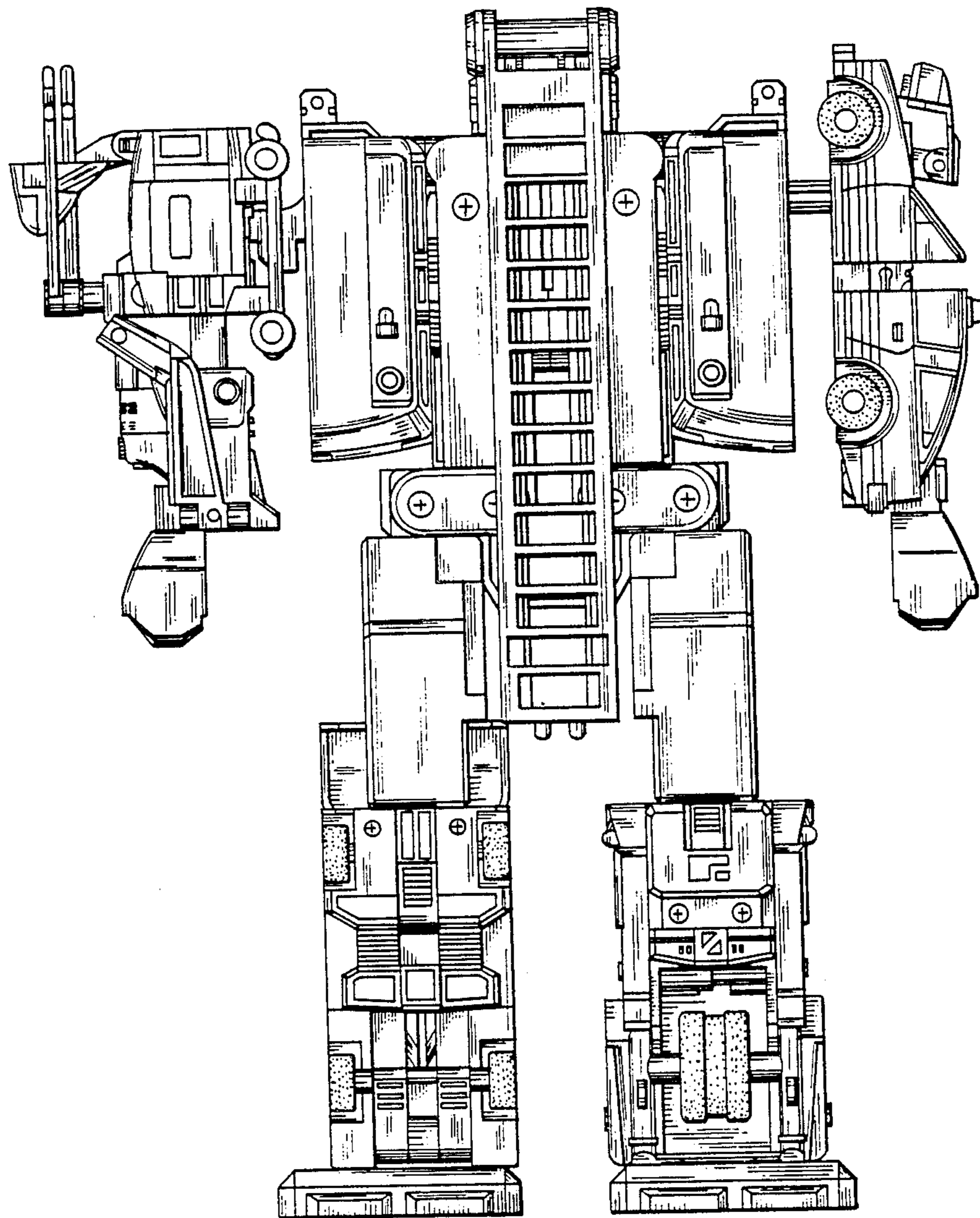


FIG. 6

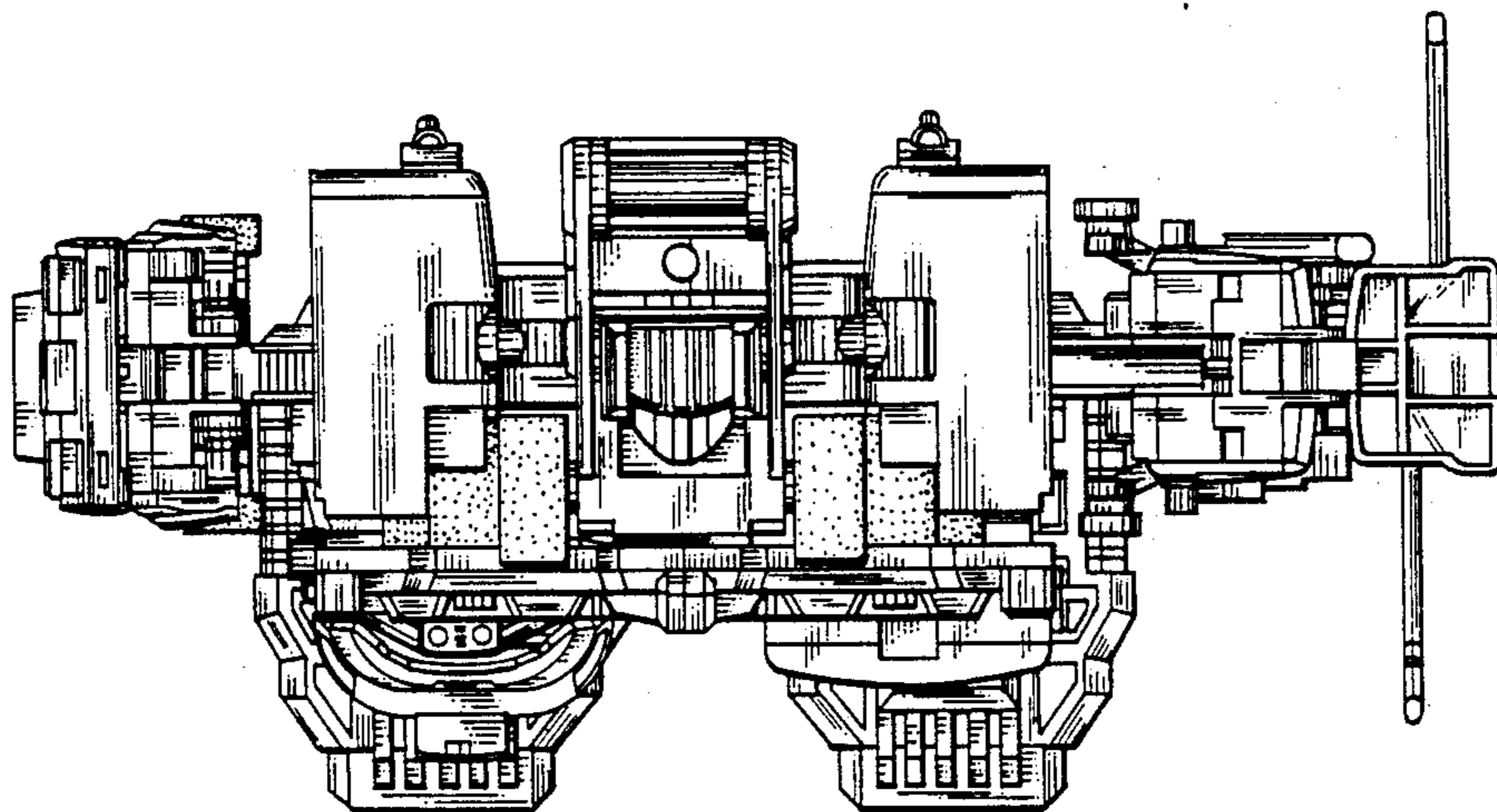


FIG. 7

