

[54] TILTING PAN HEAD FOR CAMERA
 [75] Inventor: Osamu Iwasaki, Tokorozawa, Japan
 [73] Assignee: Hakuba Shashin Sangyo Kabushiki Kaisha, Tokyo, Japan
 [**] Term: 14 Years
 [21] Appl. No.: 750,010
 [22] Filed: Jun. 27, 1985
 [30] Foreign Application Priority Data

Dec. 29, 1984 [JP] Japan 59-54615
 [52] U.S. Cl. D16/46
 [58] Field of Search D16/44-47;
 248/183-184, 168-173; 354/293-295

[56] References Cited
 U.S. PATENT DOCUMENTS

D. 257,259 10/1980 Shiraishi D16/44
 D. 257,261 10/1980 Shinohara D16/45
 D. 276,730 12/1984 Nakatani D16/46
 2,882,001 4/1959 Ries 248/183

4,234,149 11/1980 Kawazoe 248/184
 4,457,610 7/1984 Kawazoe 248/183 X
 4,562,985 1/1986 Nakatani 248/183

OTHER PUBLICATIONS

33 mm Photography-6/85, p. 13, (Tripod) Head.

Primary Examiner—Nelson C. Holtje
 Attorney, Agent, or Firm—Lackenbach Siegel Marzullo & Aronson

[57] CLAIM

The ornamental design for a tilting pan head for camera, as shown.

DESCRIPTION

FIG. 1 is a top and right rear perspective view of a tilting pan head for a camera showing my new design.
 FIG. 2 is a top plan view thereof;
 FIG. 3 is a bottom plan view thereof;
 FIG. 4 is a right side elevational view thereof;
 FIG. 5 is a left side elevational view thereof;
 FIG. 6 is a front elevational view thereof;
 FIG. 7 is a rear elevational view thereof.

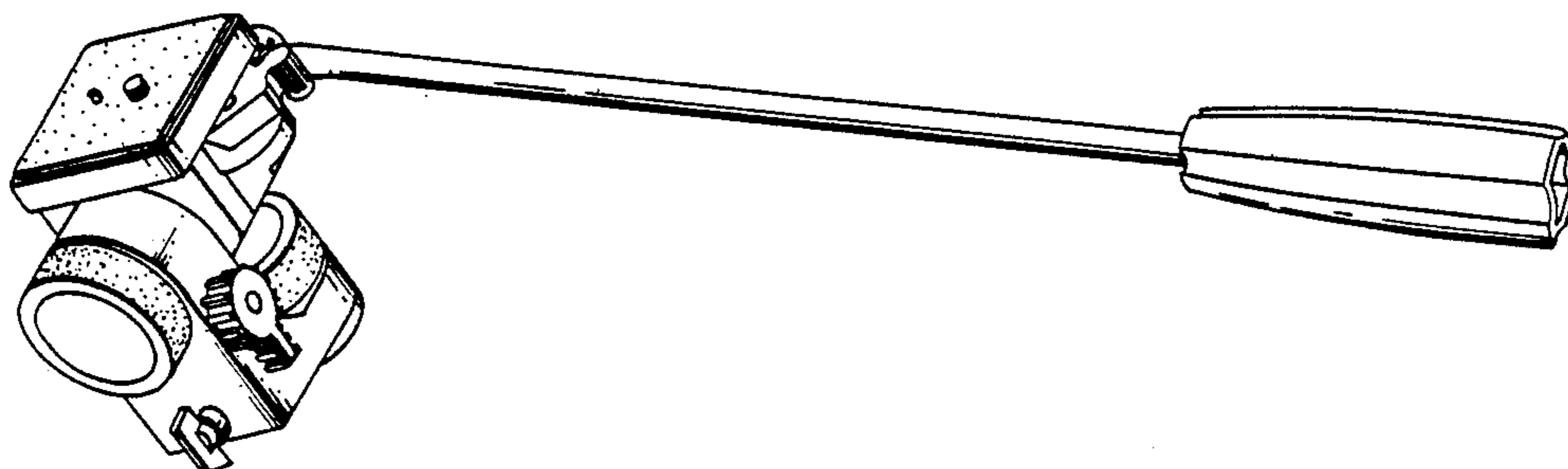


Fig. 1

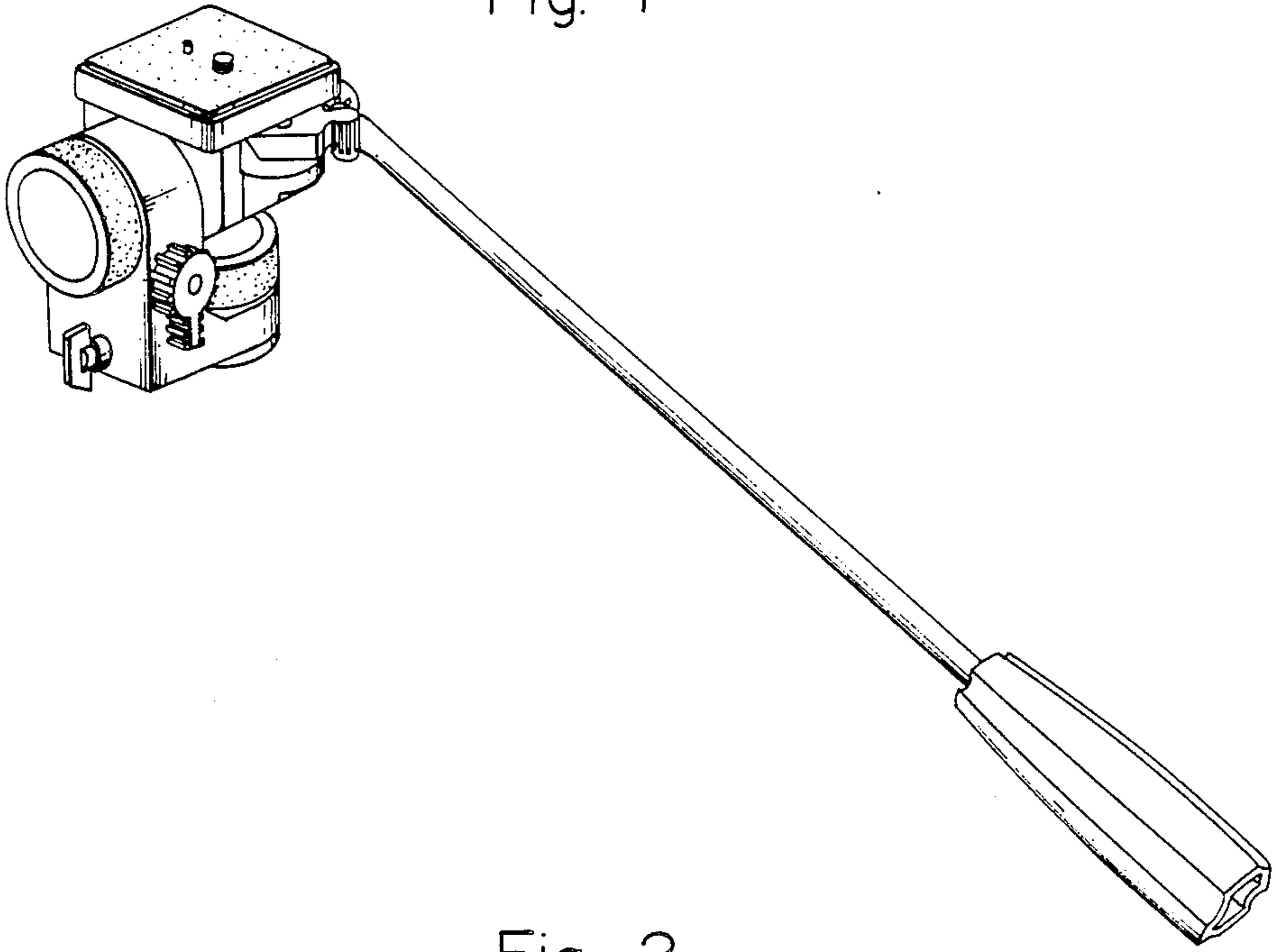


Fig. 2

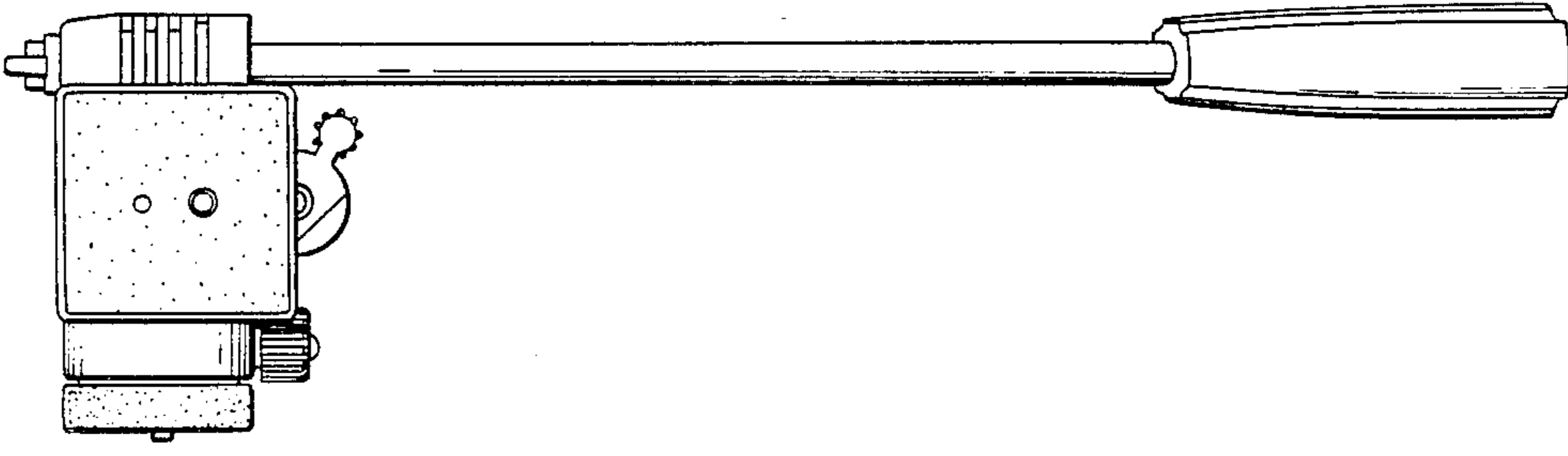


Fig. 3

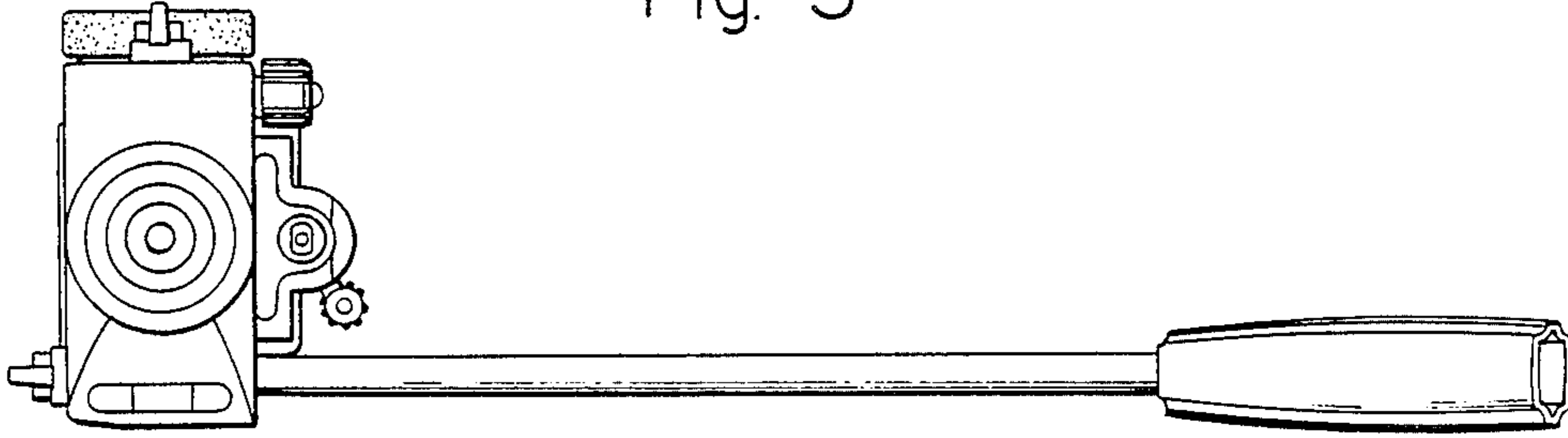


Fig. 4

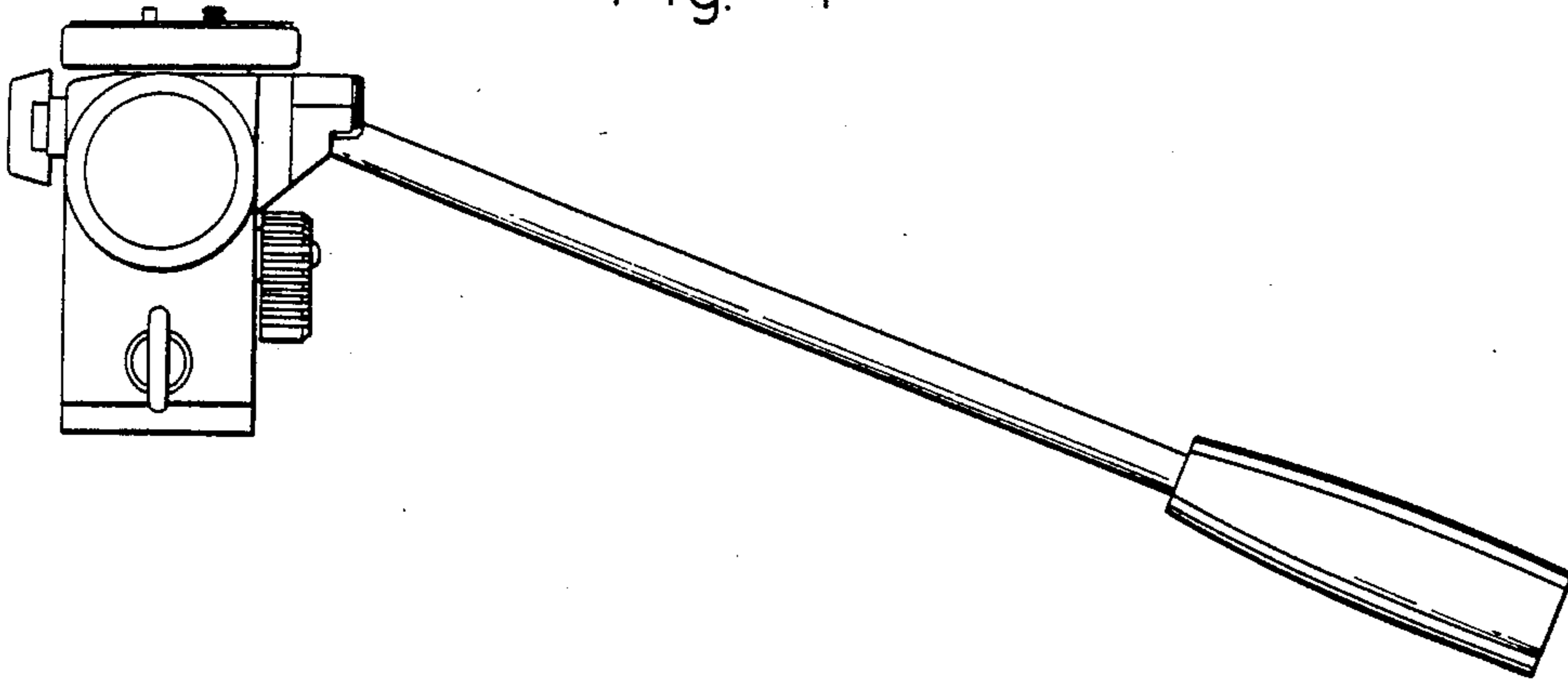


Fig. 5

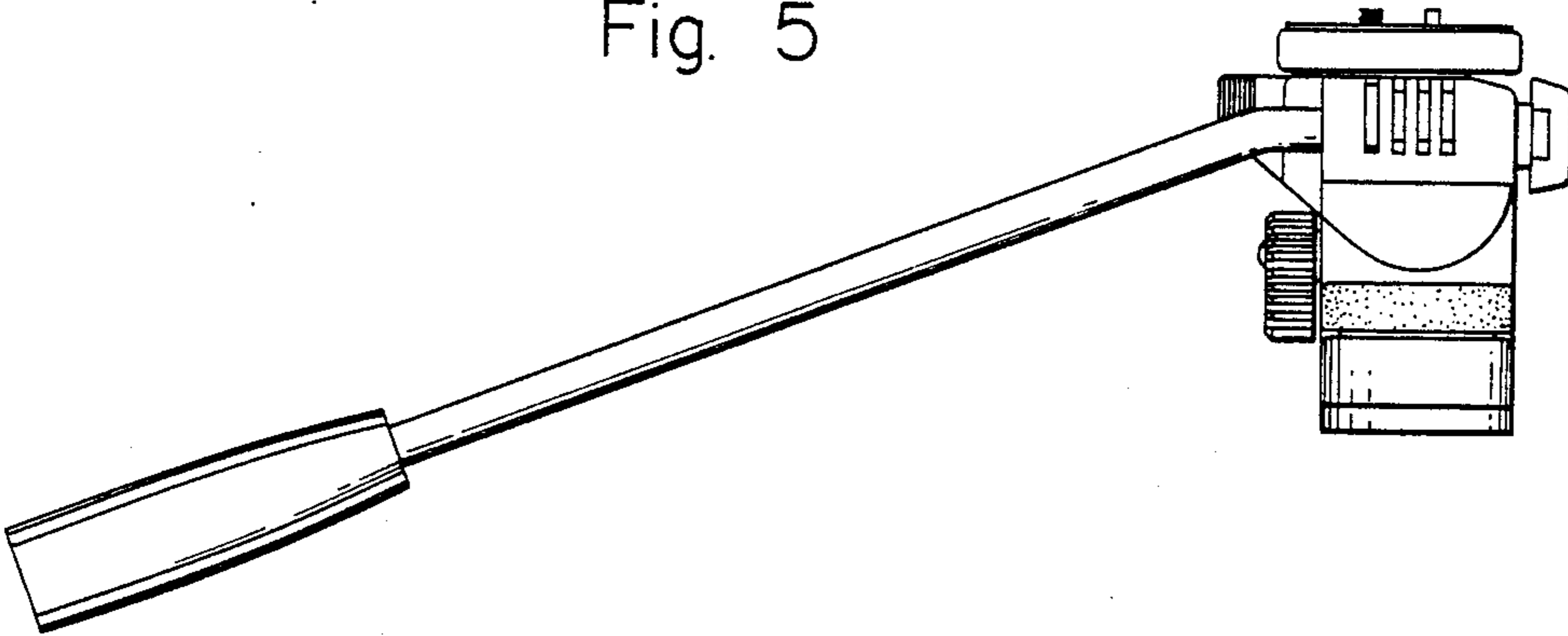


Fig. 6

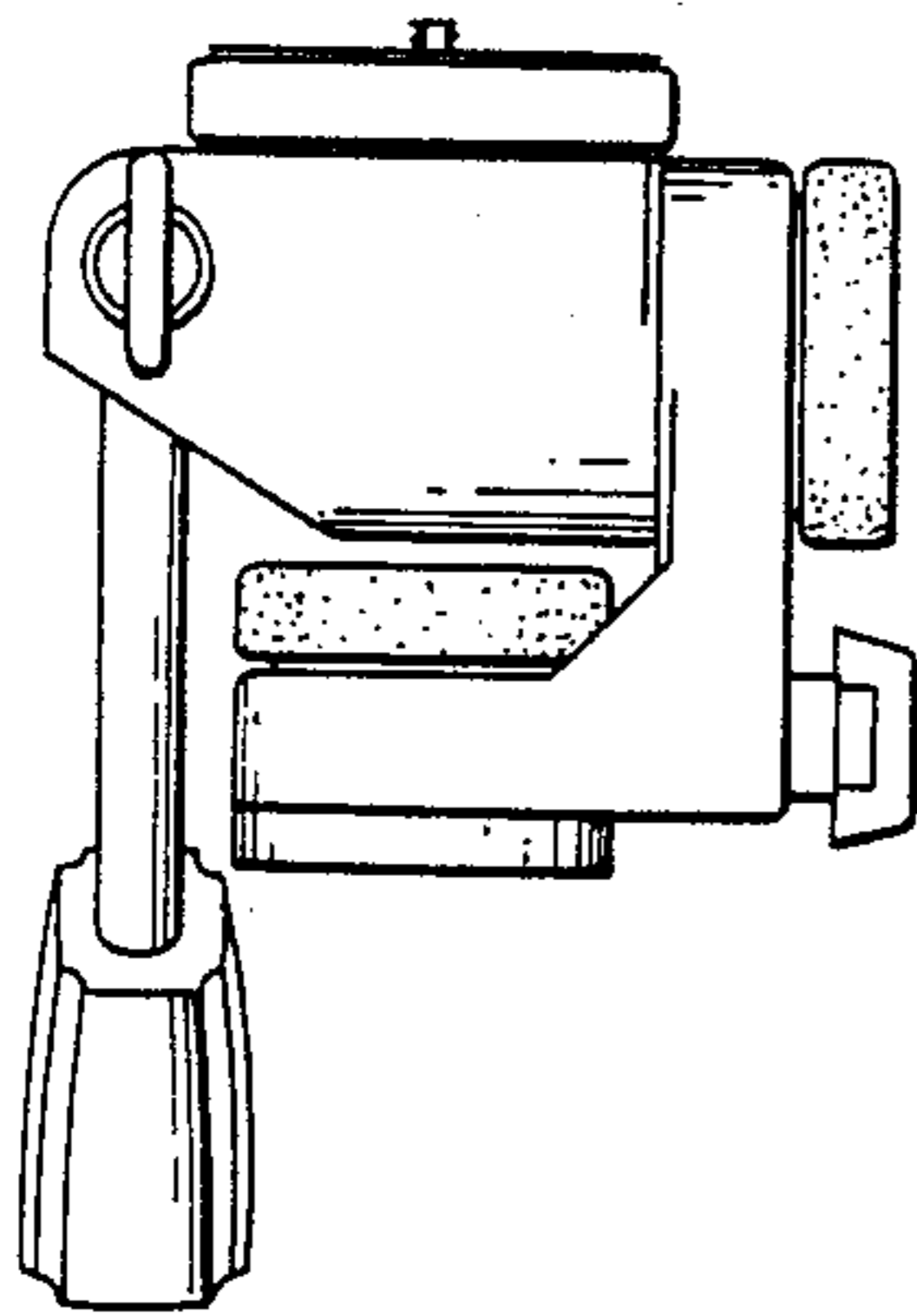


Fig. 7

