

United States Patent [19]

Duke

[11] Patent Number: **Des. 294,146**

[45] Date of Patent: **** Feb. 9, 1988**

[54] **FAST PASS CARD READER UNIT**

[75] Inventor: **Jerry B. Duke, San Diego, Calif.**

[73] Assignee: **Cubic Western Data, San Diego, Calif.**

[**] Term: **14 Years**

[21] Appl. No.: **711,999**

[22] Filed: **Mar. 14, 1985**

[52] U.S. Cl. **D14/107**

[58] Field of Search **D14/100, 102, 105, 106, D14/107, 114, 116; 235/378, 375, 380, 381, 454, 462**

[56] **References Cited**

U.S. PATENT DOCUMENTS

D. 239,029 3/1976 Conway et al. **D14/107**

D. 253,110 10/1979 Randolph **D14/105**
4,396,902 8/1983 Warthan et al. **235/454 X**

Primary Examiner—Susan J. Lucas
Attorney, Agent, or Firm—Brown, Martin, Haller & Meador

[57] CLAIM

The ornamental design for a fast pass card reader unit, substantially as shown and described.

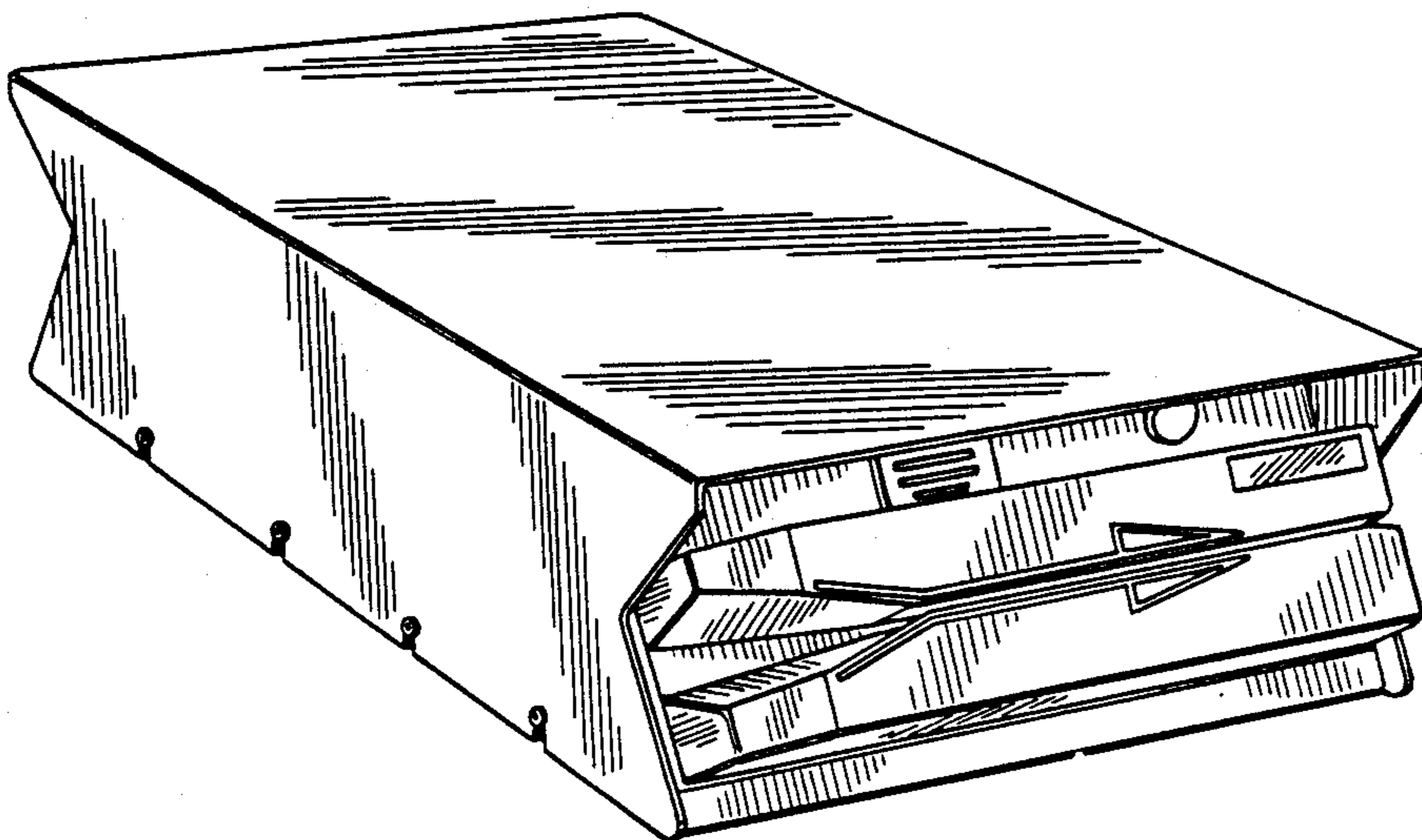
DESCRIPTION

FIG. 1 is a perspective view of a fast pass card reader unit, showing my new design;

FIG. 2 is a bottom plan view thereof;

FIG. 3 is a side elevational view thereof, the opposite side being a mirror image;

FIG. 4 is an end elevational view thereof, the opposite end being a mirror image.



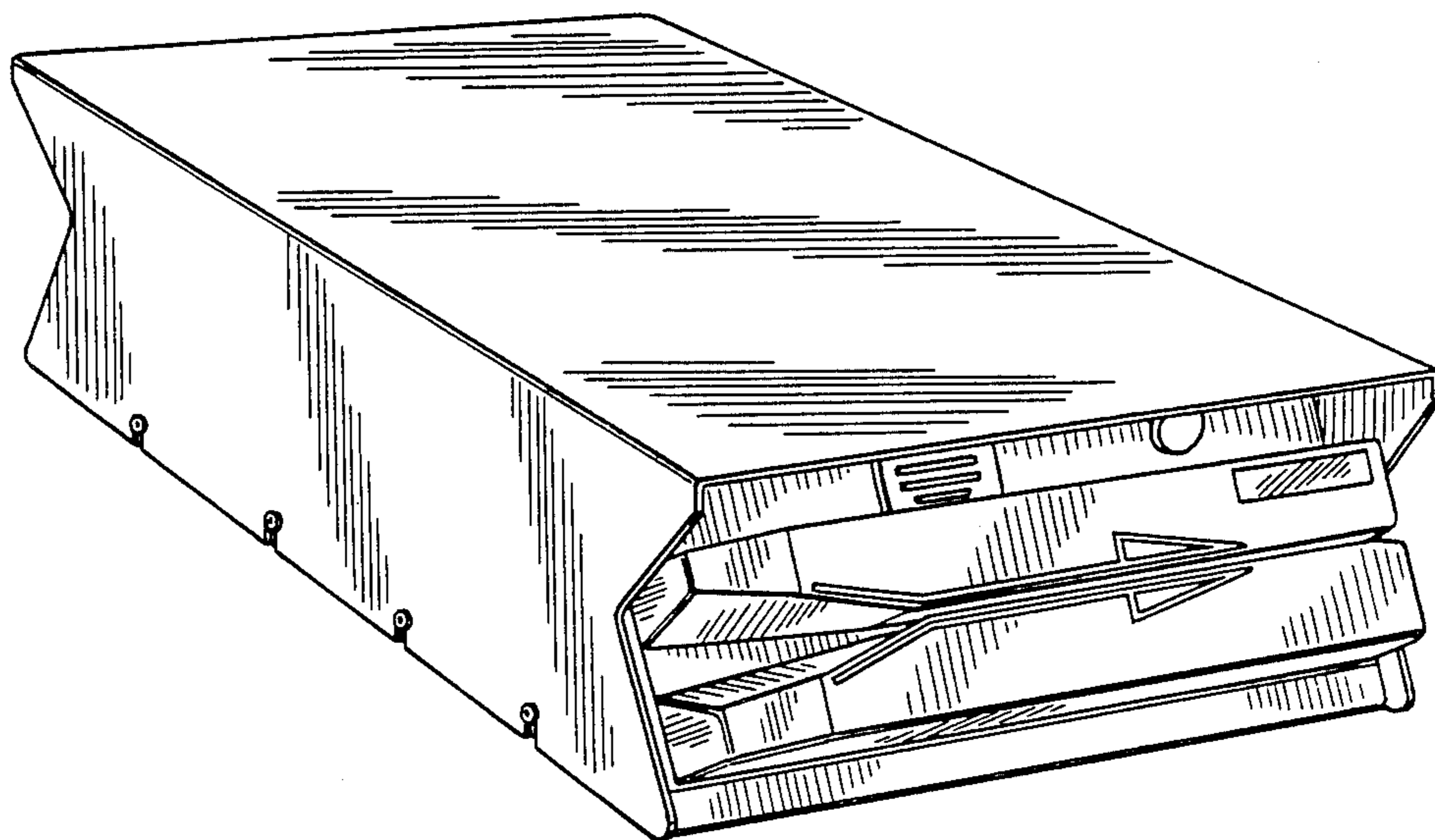


FIG. 1

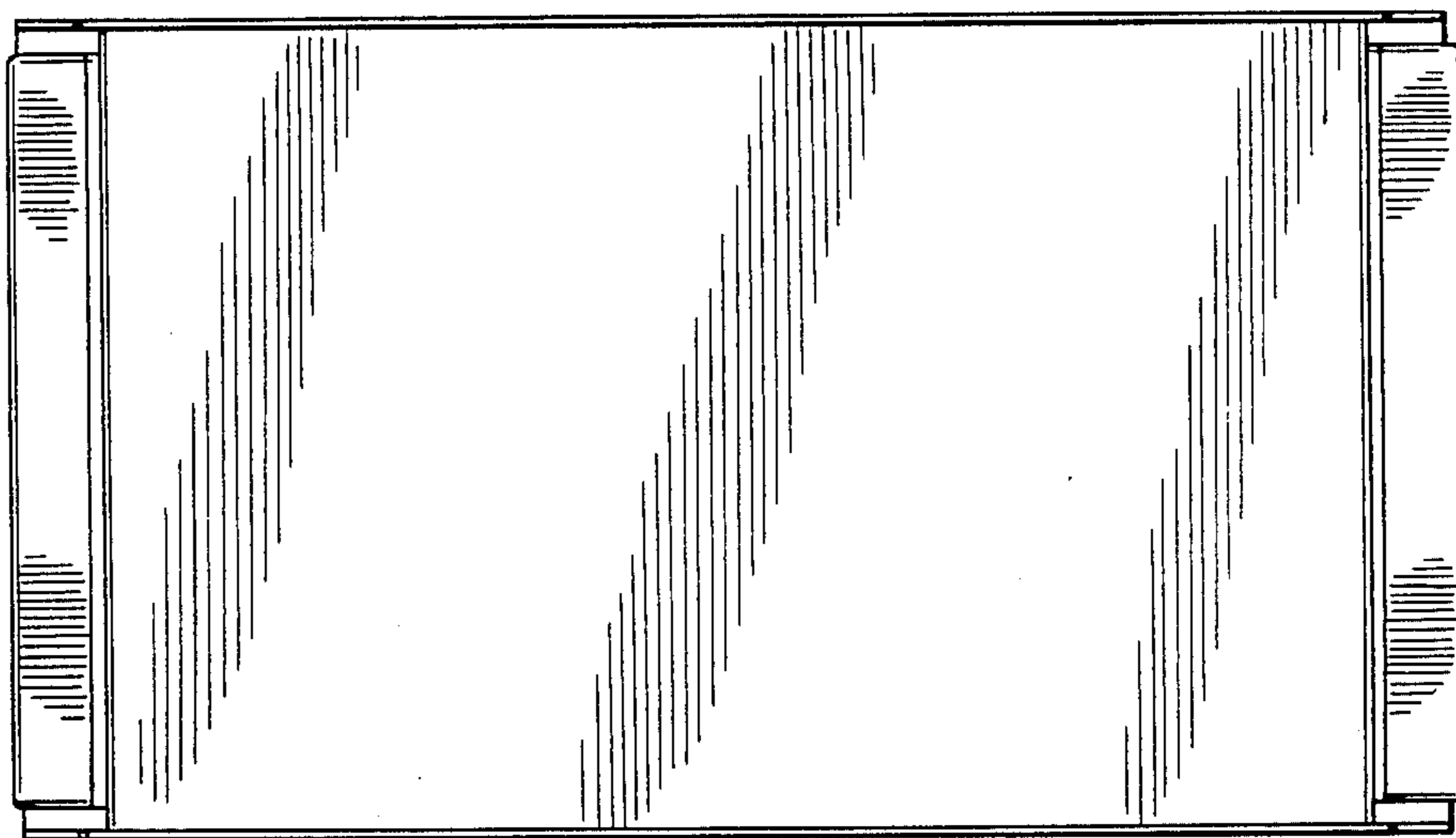


FIG. 2

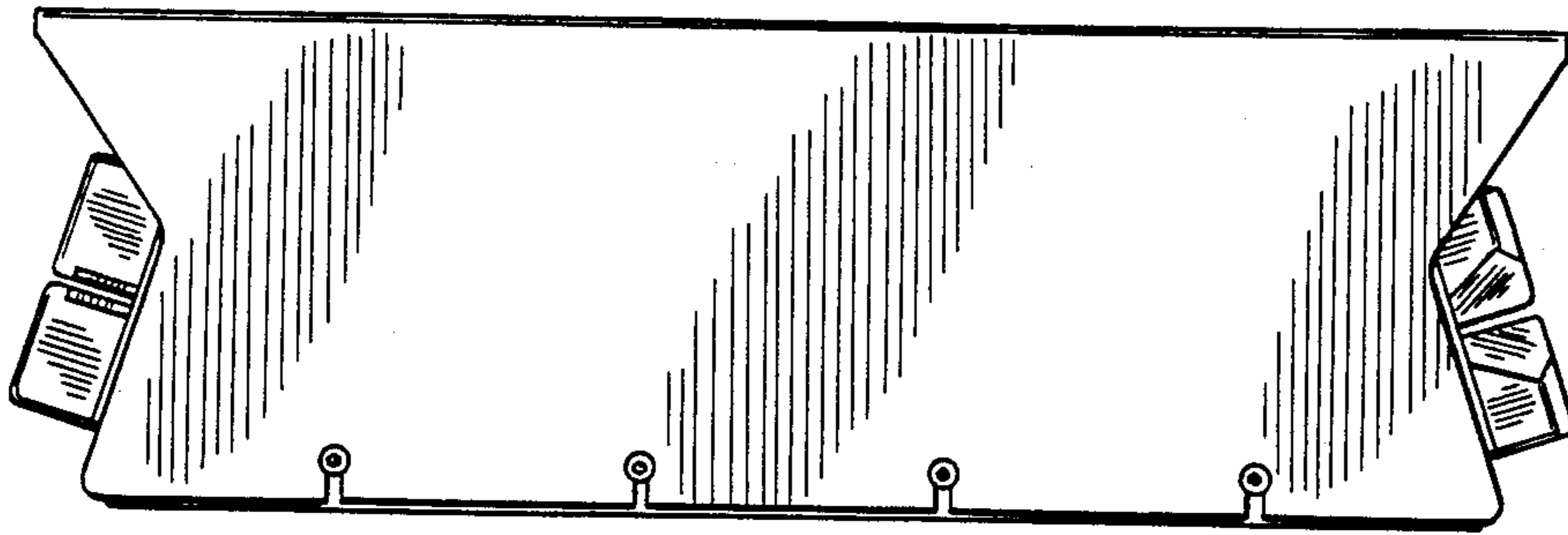


FIG. 3

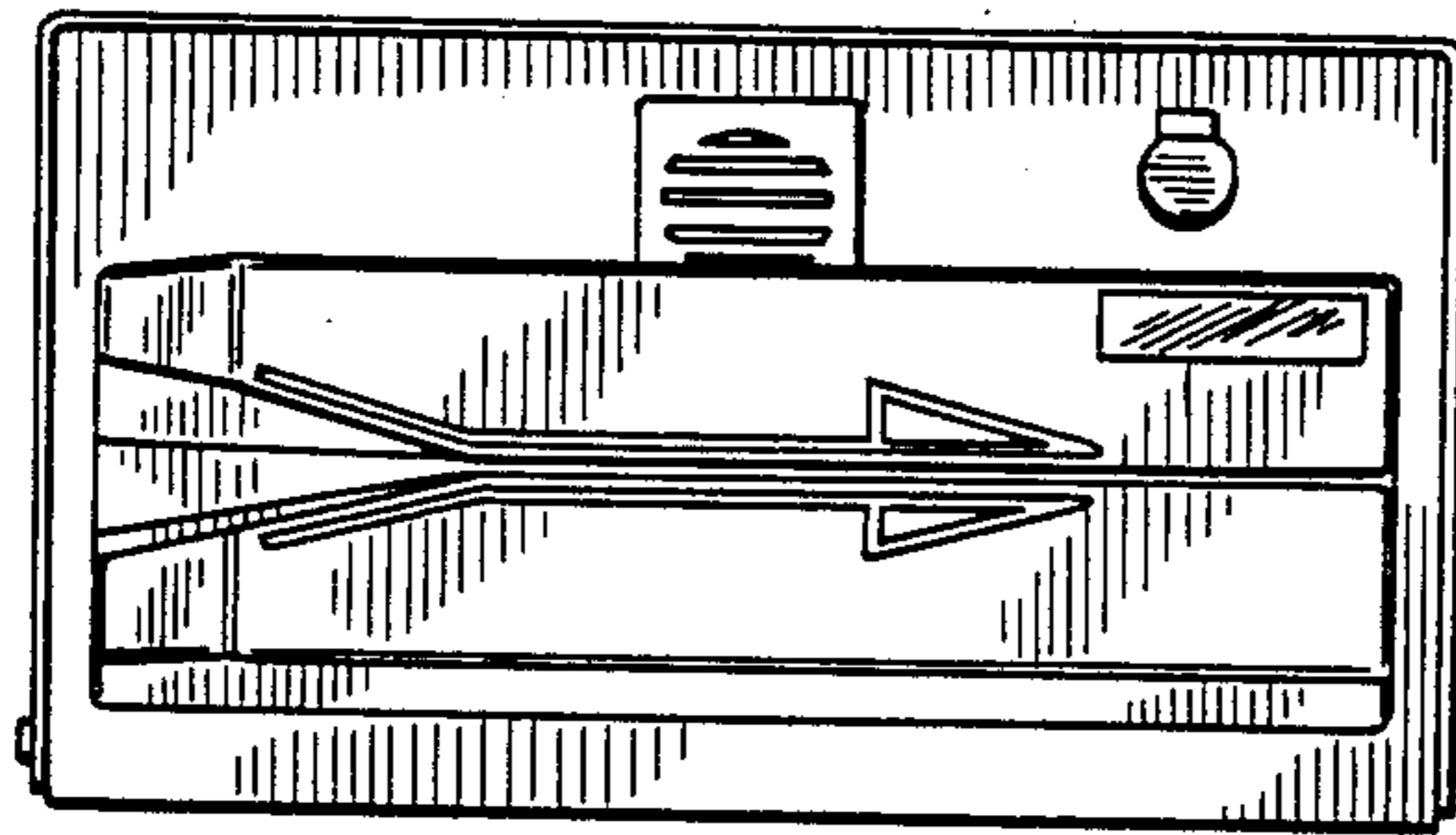


FIG. 4