

[54] **COIN TELEPHONE CABINET**

[75] **Inventor: Wen-Chih Chang, Taipei, Taiwan**
 [73] **Assignee: Tatung Telecom Corp., Palo Alto, Calif.**
 [**] **Term: 14 Years**
 [21] **Appl. No.: 792,868**
 [22] **Filed: Oct. 30, 1985**
 [52] **U.S. Cl. D14/55; D14/61**
 [58] **Field of Search D14/55, 56, 61; 379/144, 155, 143; D21/111; 446/140-142**

References Cited

U.S. PATENT DOCUMENTS

D. 197,974	4/1964	Dreyfuss	D14/55
D. 208,476	9/1967	La Barge	D14/55
D. 229,426	11/1973	Janda et al.	D14/55
D. 266,927	11/1982	Ilium, Jr. et al.	D14/55
D. 283,890	5/1986	Britz et al.	D14/55
D. 287,966	1/1987	Albertson	D14/55
3,258,535	6/1966	Nauman	379/155
3,365,554	1/1968	Brezezinski	179/168
3,393,273	7/1968	Buslas	379/155
4,136,262	1/1979	Clark, Jr.	379/155 X
4,518,830	5/1985	Drexler et al.	179/103

OTHER PUBLICATIONS

"Tonk-A-Phone", by Tonka Tools Inc. pay phone brochure 2 pages.
 Major, "Tel-A-Coin", pay phone; 2 page flyer.
 Telephony Article, 1/24/74, at p. 75, FIG. 1 GTE single slot, coin operated telephone.

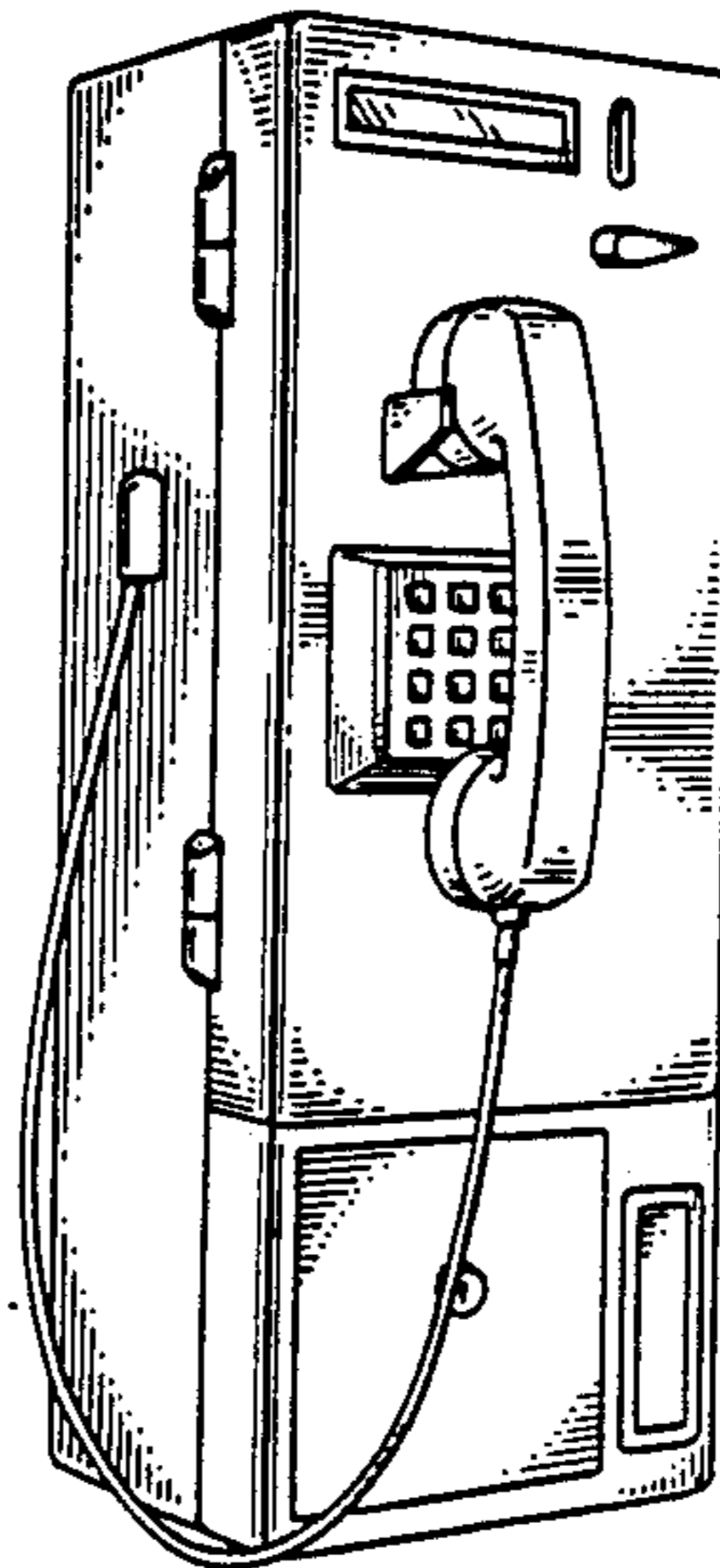
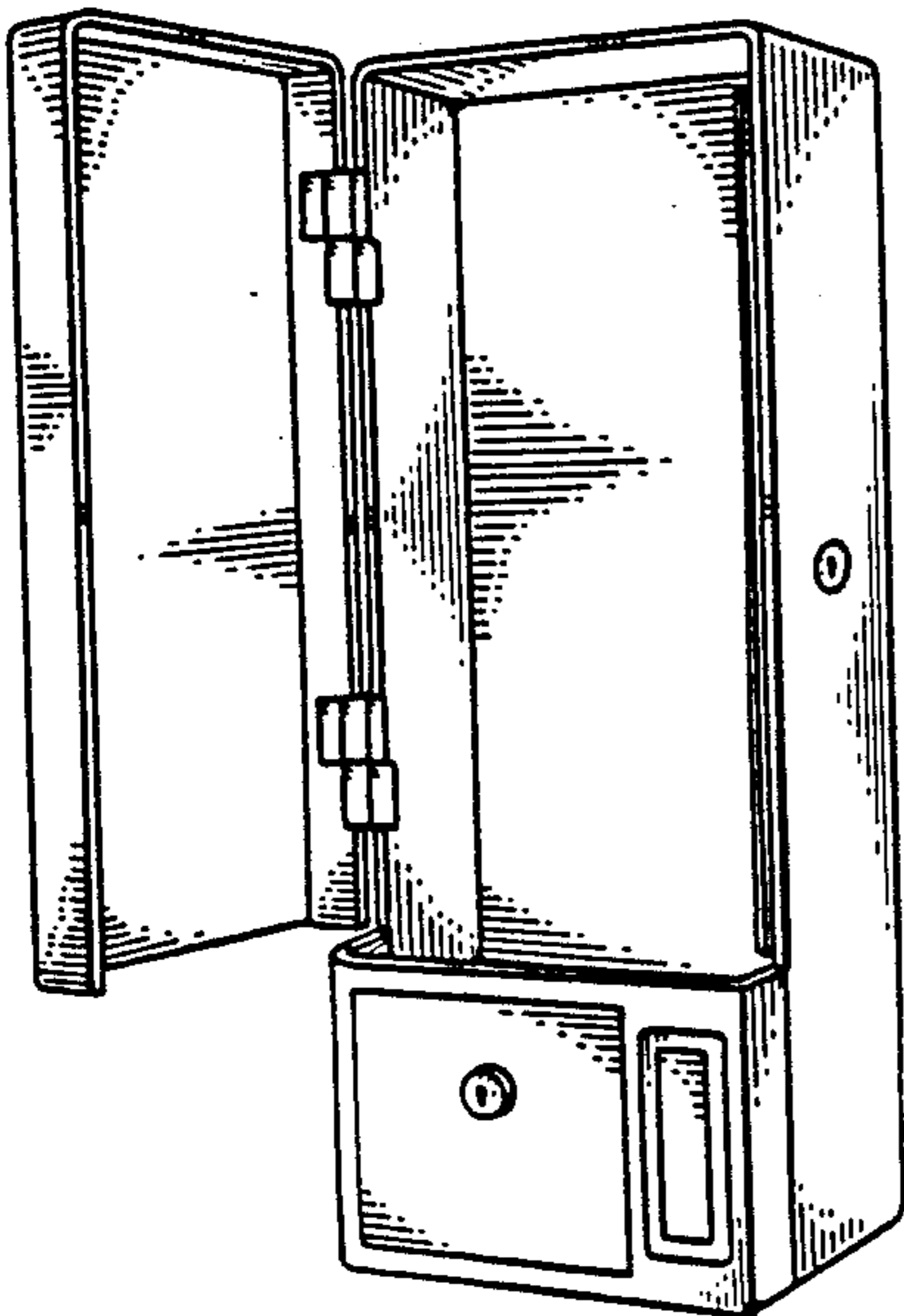
Primary Examiner—Wallace R. Burke
Assistant Examiner—Horace B. Fay
Attorney, Agent, or Firm—Burns, Doane, Swecker & Mathis

CLAIM

[57] The ornamental design for a coin telephone cabinet, as shown and described.

DESCRIPTION

FIG. 1 is a left side and front perspective view of a coin telephone cabinet showing my new design;
 FIG. 2 is a top plan view thereof;
 FIG. 3 is a front elevational view thereof;
 FIGS. 4 and 5 are respectively left and right perspective views thereof; and
 FIG. 6 is a perspective view from the left side and front showing a door portion of the cabinet in opened position.



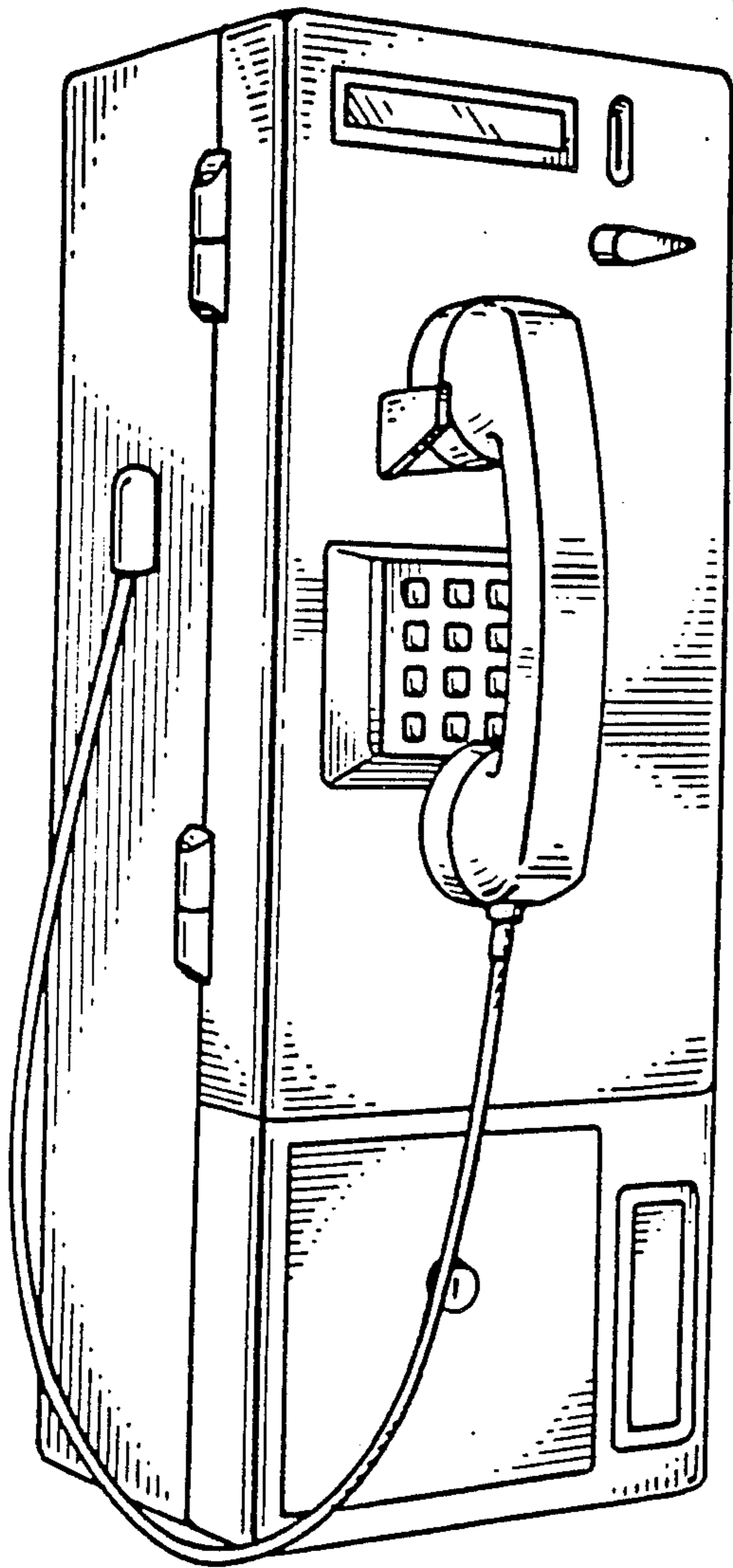


FIG. 1.

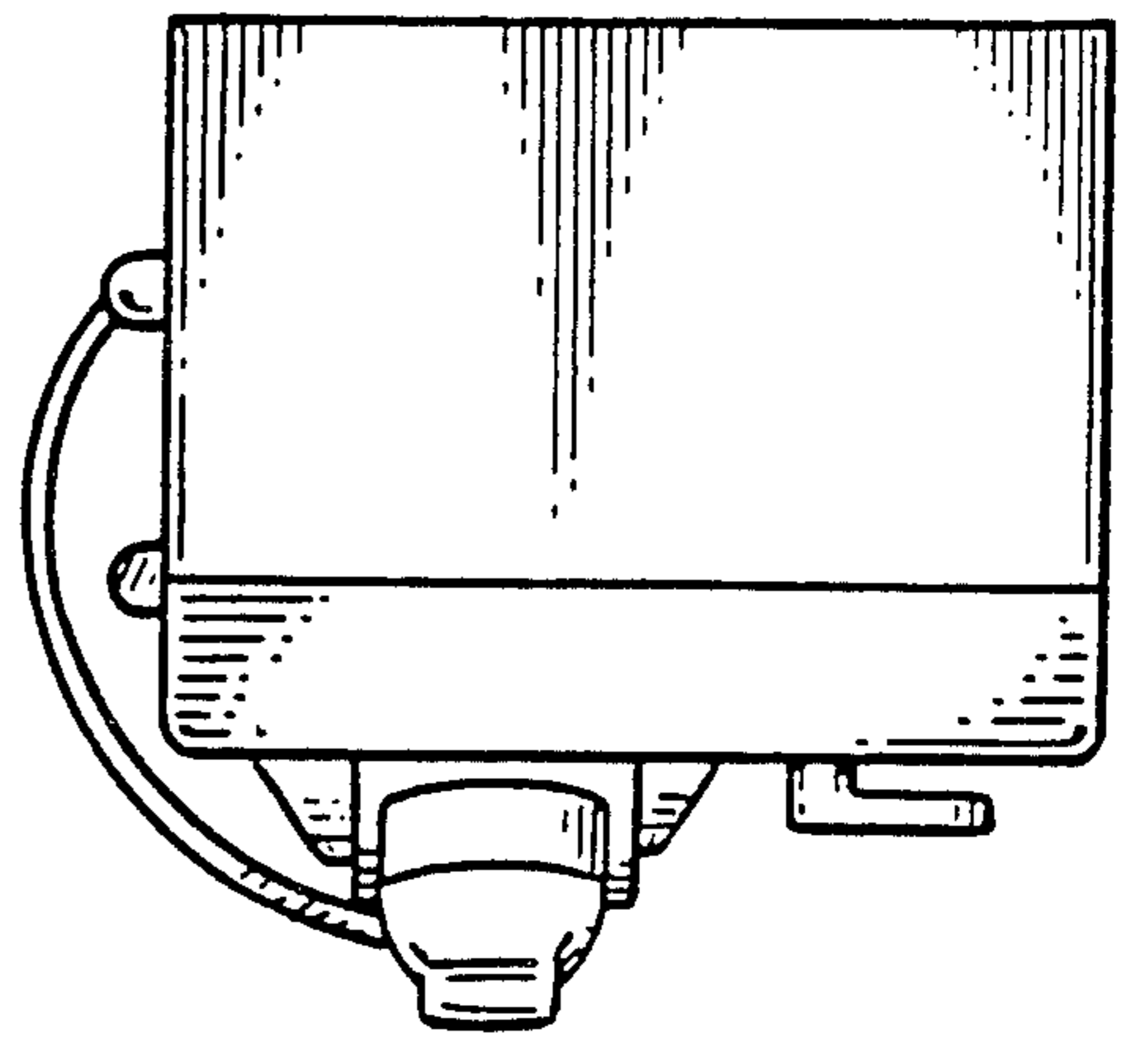


FIG. 2.

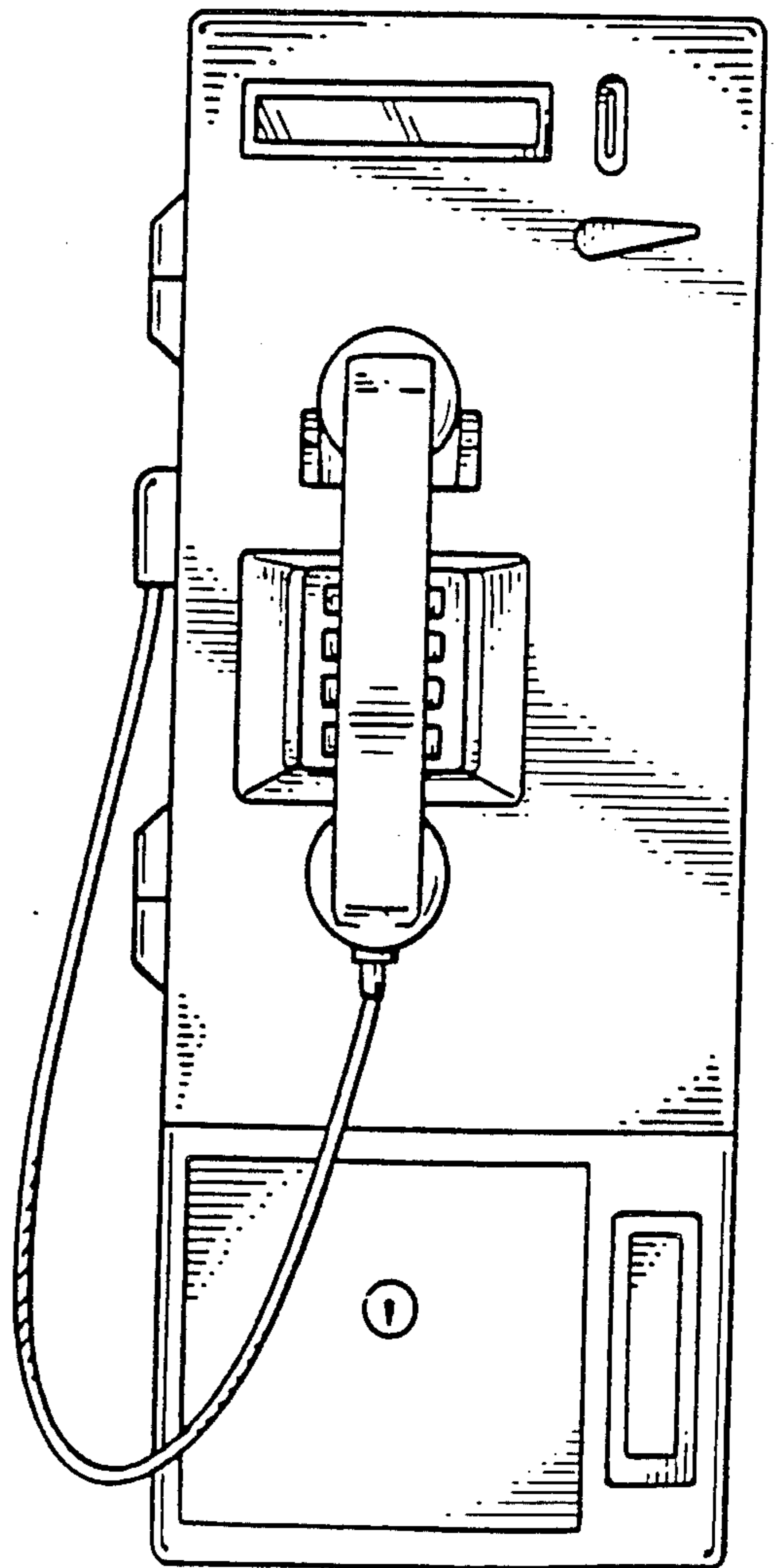


FIG. 3.

