

United States Patent [19]

Ueda et al.

[11] Patent Number: **Des. 294,141**

[45] Date of Patent: **** Feb. 9, 1988**

[54] **ELECTRIC MOTOR**

[75] Inventors: **Takemi Ueda; Norio Umezawa; Norimasa Kondoh, all of Osaka, Japan**

[73] Assignee: **Matsushita Electric Industrial Co., Ltd., Osaka, Japan**

[**] Term: **14 Years**

[21] Appl. No.: **708,127**

[22] Filed: **Mar. 4, 1985**

[30] **Foreign Application Priority Data**

Sep. 3, 1984 [JP] Japan 59-36580

[52] U.S. Cl. **D13/1**

[58] Field of Search **D13/1-3; 310/40 R, 46, 58, 63, 90, 227, 268**

[56] **References Cited**

U.S. PATENT DOCUMENTS

D. 172,769 8/1954 Sundberg D13/1

D. 245,499 8/1977 Andreas D13/1
D. 283,913 5/1986 Tomlinson D13/2
3,458,740 7/1969 Kaneko et al. 310/90
4,093,897 6/1978 Fujita et al. 218/138
4,476,409 10/1984 Fukami 310/268

OTHER PUBLICATIONS

Pump Applications Guide, ©1984, p. 17, item 7185-55.

Primary Examiner—Wallace R. Burke

Assistant Examiner—Ruth Takemoto

Attorney, Agent, or Firm—Sughrue, Mion, Zinn, Macpeak, and Seas

[57] **CLAIM**

The ornamental design for a electric motor, as shown and described.

DESCRIPTION

FIG. 1 is a top perspective view of an electric motor showing our new design;

FIG. 2 is a bottom perspective view thereof; and

FIG. 3 is a side elevational view thereof, the opposite side being a mirror image.

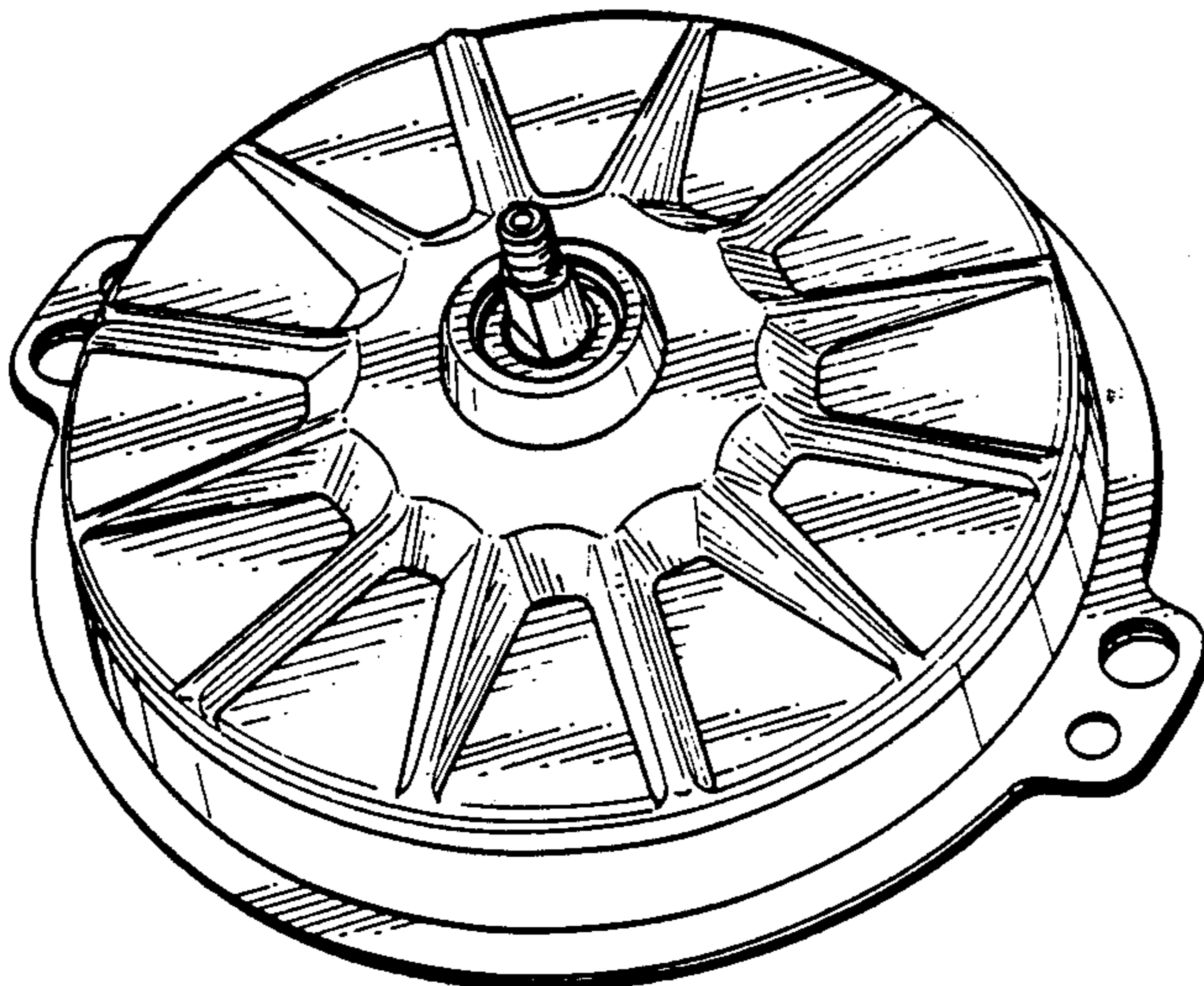
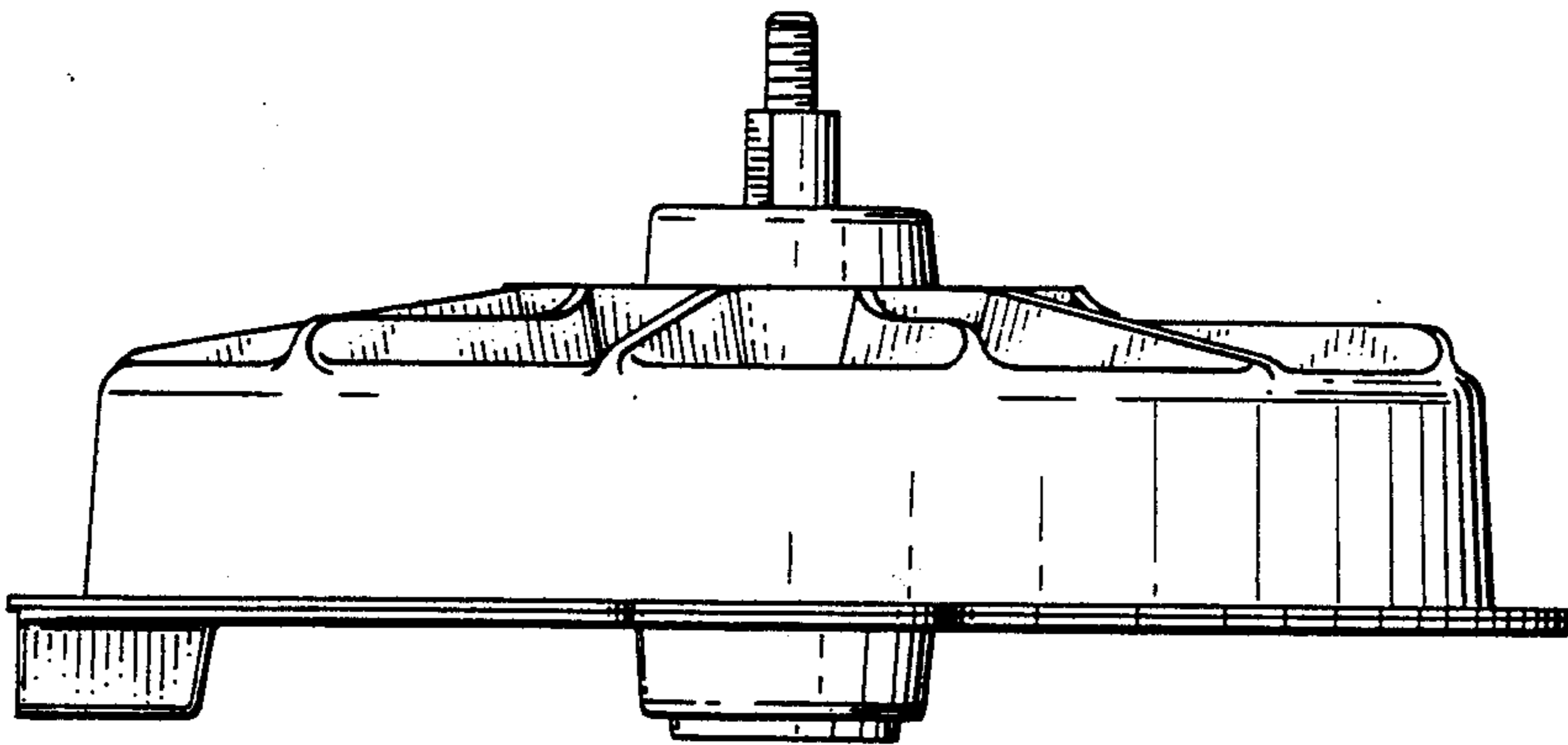


Fig. 1

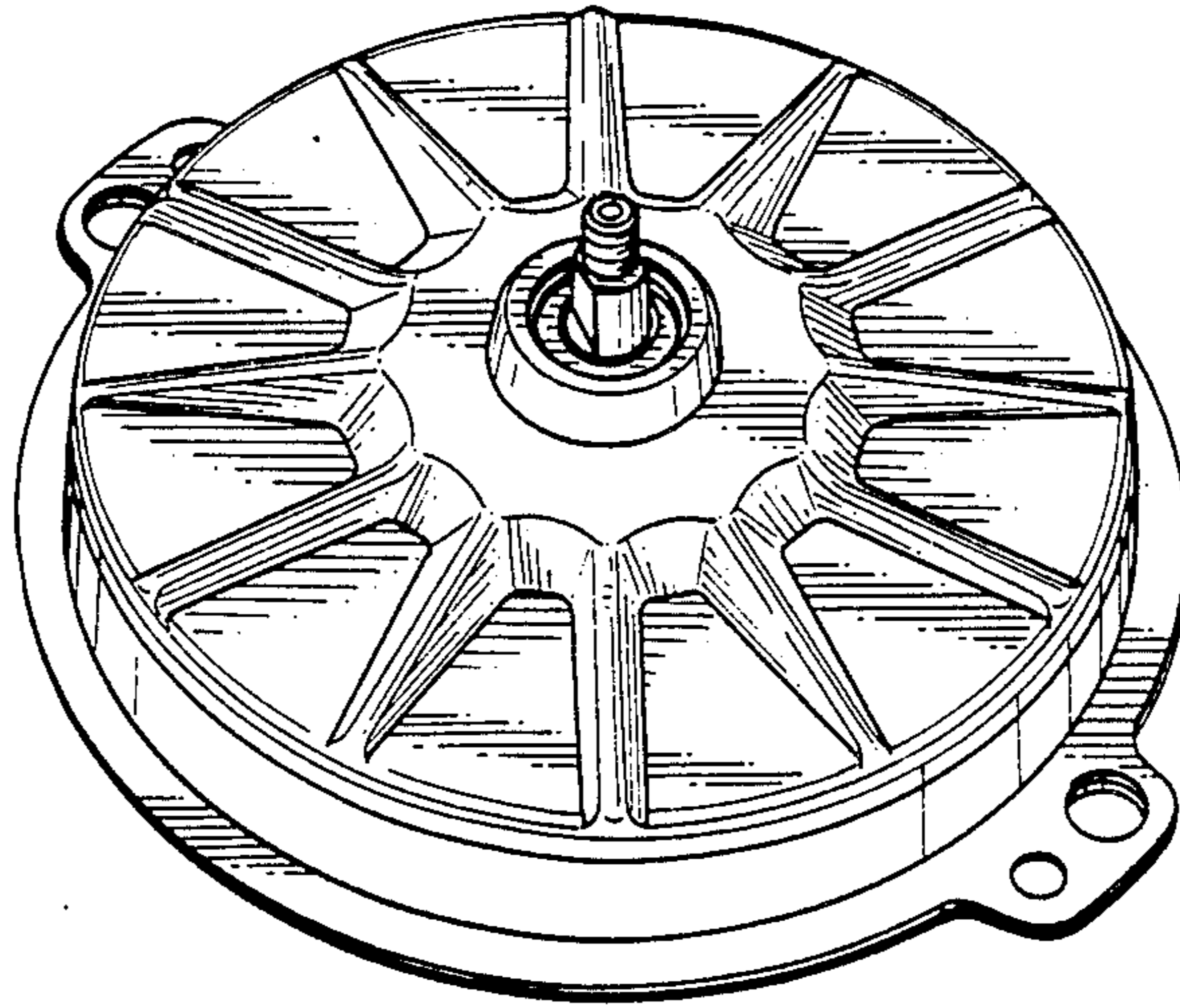


Fig. 2

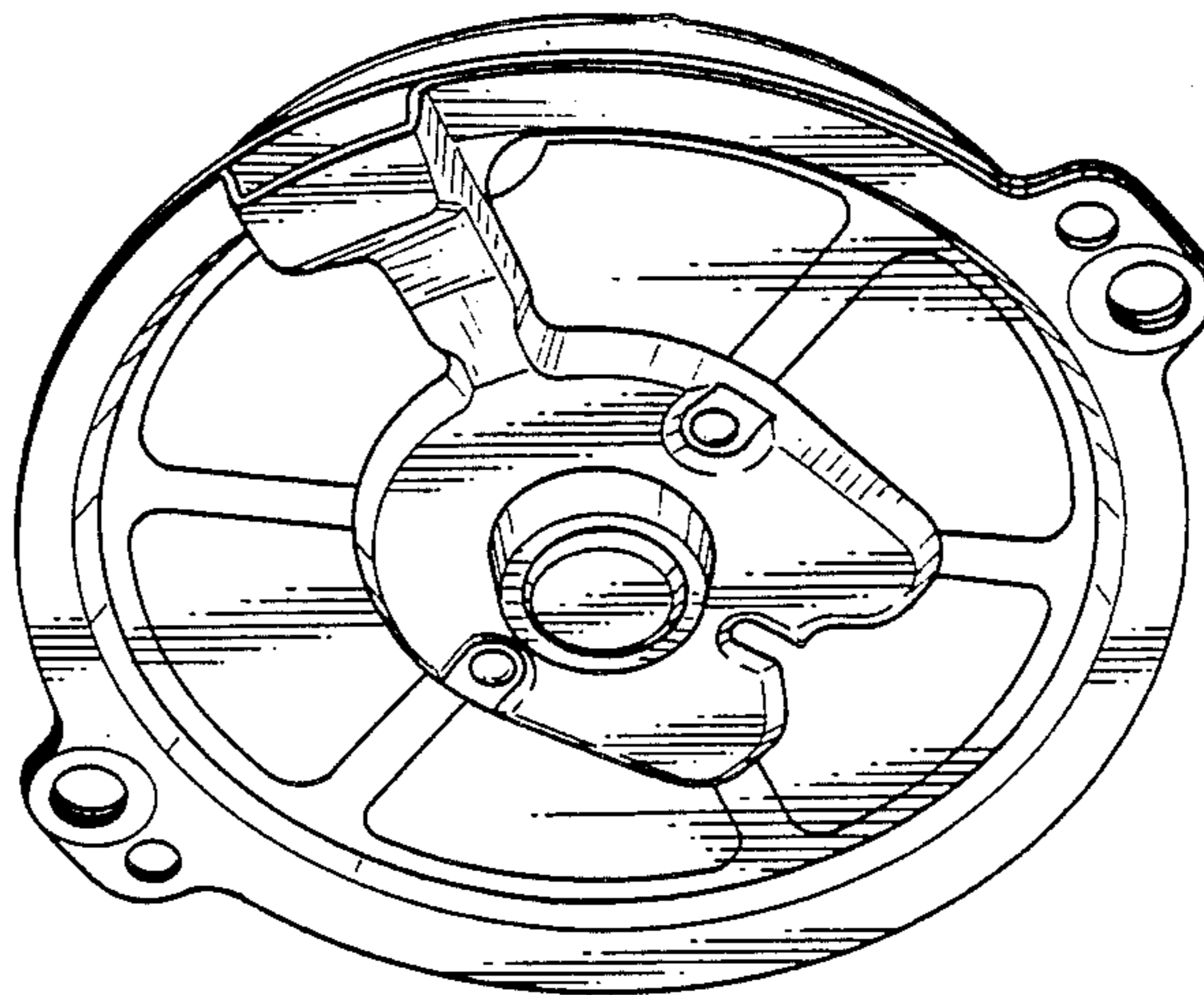


Fig. 3

