

[54] **AUTOMOBILE ARMREST**

[76] **Inventor: Bruce V. Eide, 3633 Verdugo Vista Terr., Los Angeles, Calif. 90065**

[**] **Term: 14 Years**

[21] **Appl. No.: 806,859**

[22] **Filed: Nov. 27, 1985**

[52] **U.S. Cl. D12/155; D3/40; D6/501**

[58] **Field of Search D12/155; D3/40; D6/501; 296/37.8, 37.15; 224/275, 42.11, 42.42**

[56] **References Cited**

U.S. PATENT DOCUMENTS

- D. 251,035 2/1979 Hart D12/155
- D. 281,545 12/1985 Flanagan D3/40
- 3,909,092 9/1975 Kiernan 224/275

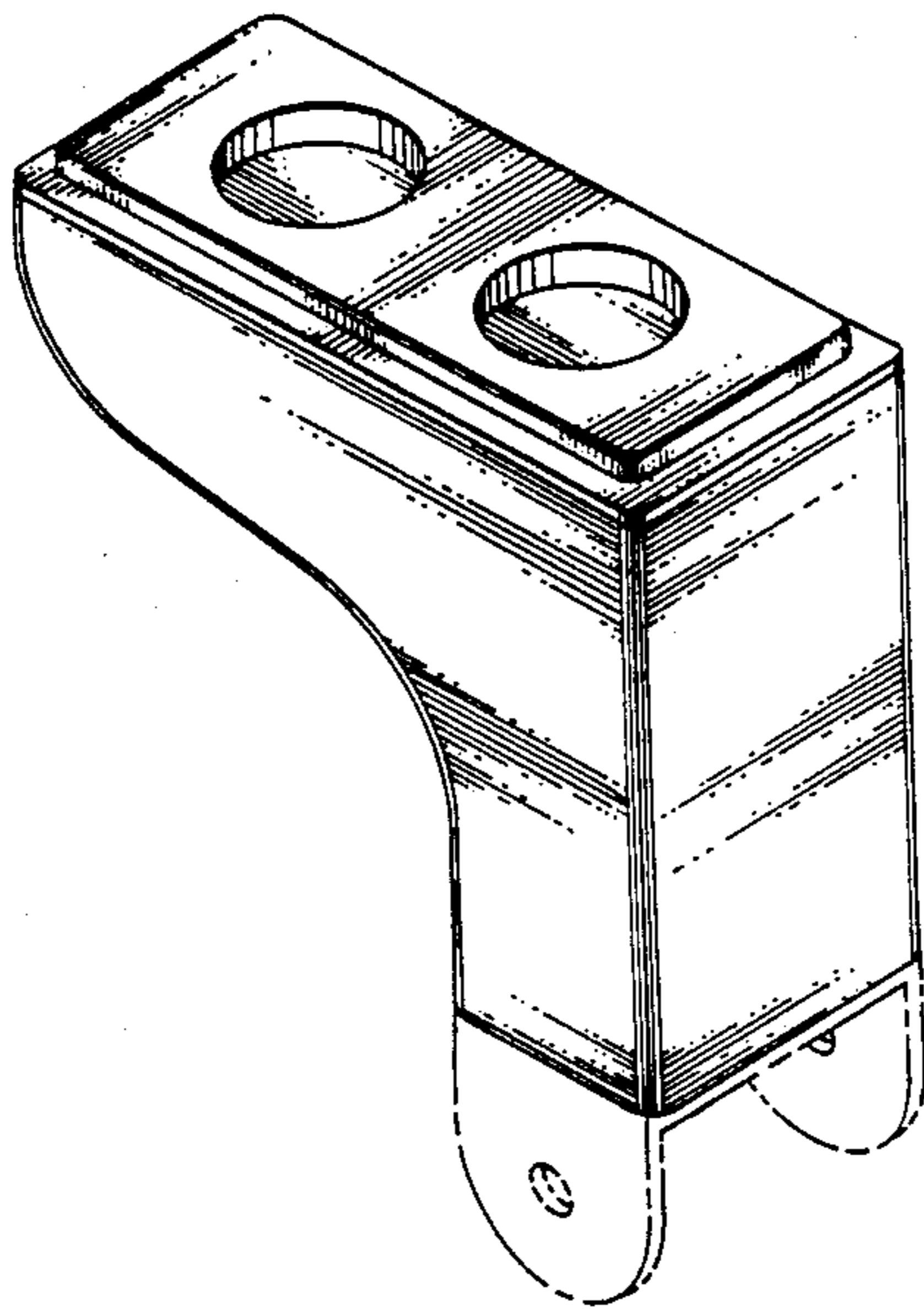
Primary Examiner—James M. Gandy
Attorney, Agent, or Firm—Frederick Gotha

[57] **CLAIM**

The ornamental design for an automobile armrest, as shown and described.

DESCRIPTION

FIG. 1 is a top rear perspective view of an automobile armrest showing my new design it being understood that the broken lines are for illustrative purposes only and form no part of the claimed design;
FIG. 2 is a side elevation view thereof;
FIG. 3 is a rear elevation view thereof;
FIG. 4 is a top plan view thereof;
FIG. 5 is a bottom plan view thereof;
FIG. 6 is a front elevation view thereof;
FIG. 7 is a top rear perspective view thereof with the removable tray in inverted condition;
FIG. 8 is a top front perspective view thereof with the removable tray omitted for convenience of illustration;
FIG. 9 is a top rear perspective view of FIG. 8 and
FIG. 10 is a top plan view of FIG. 8.



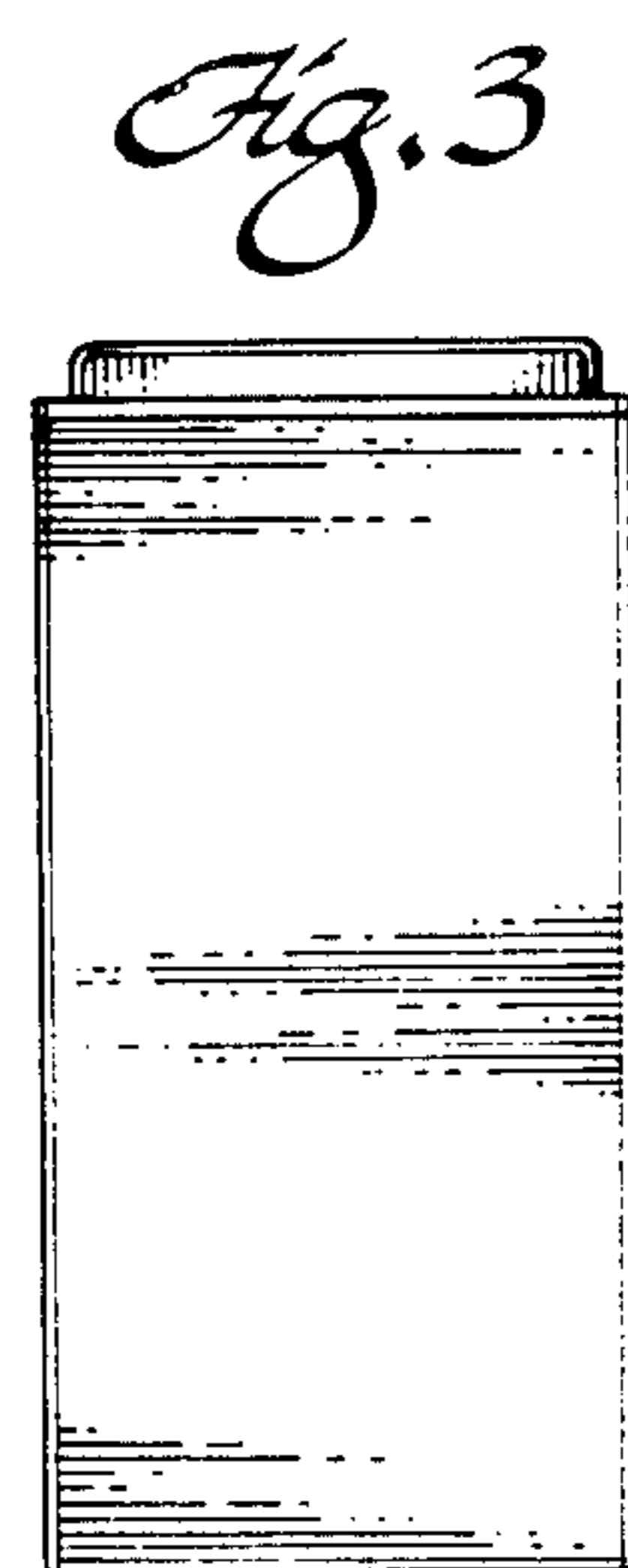
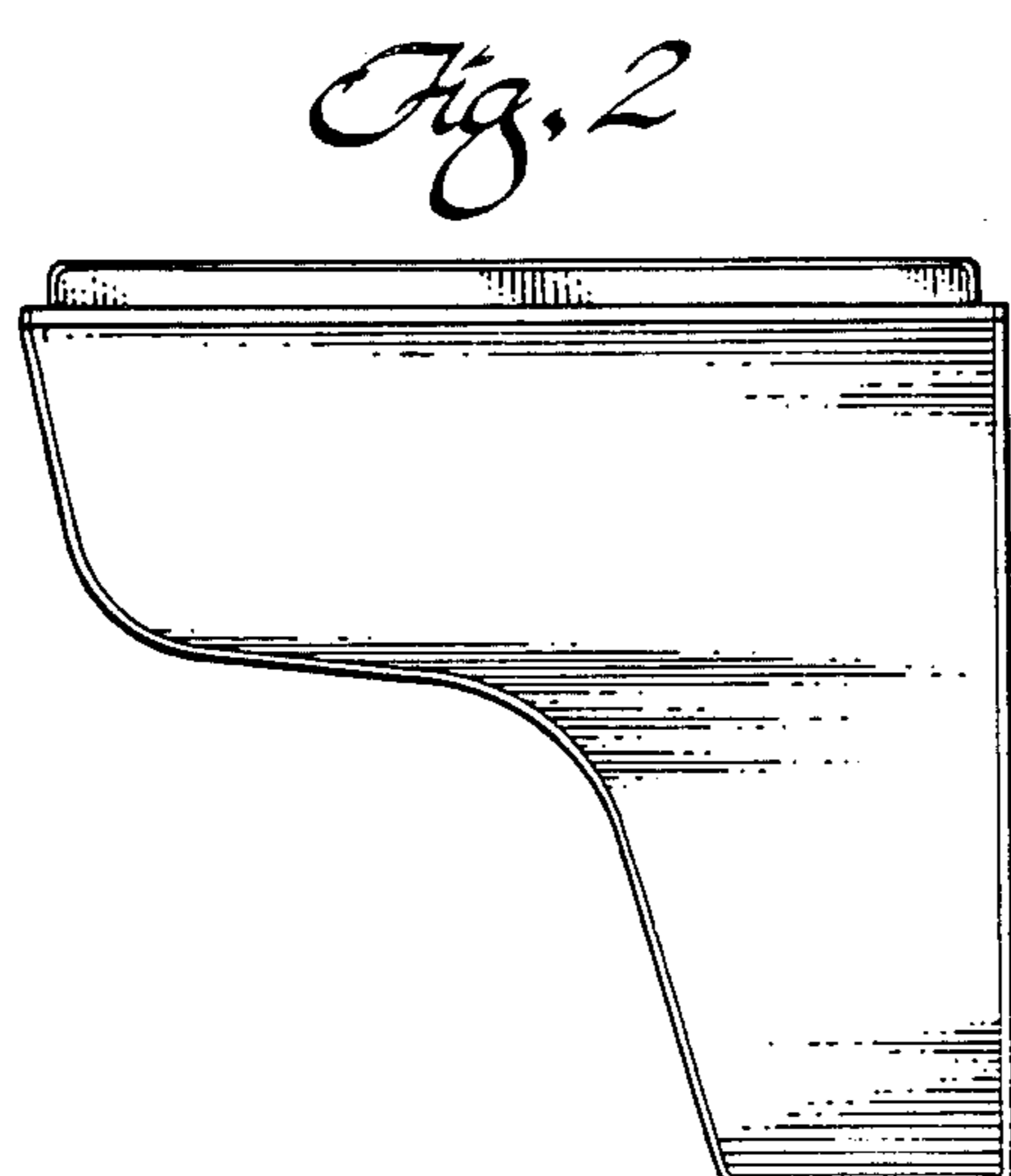
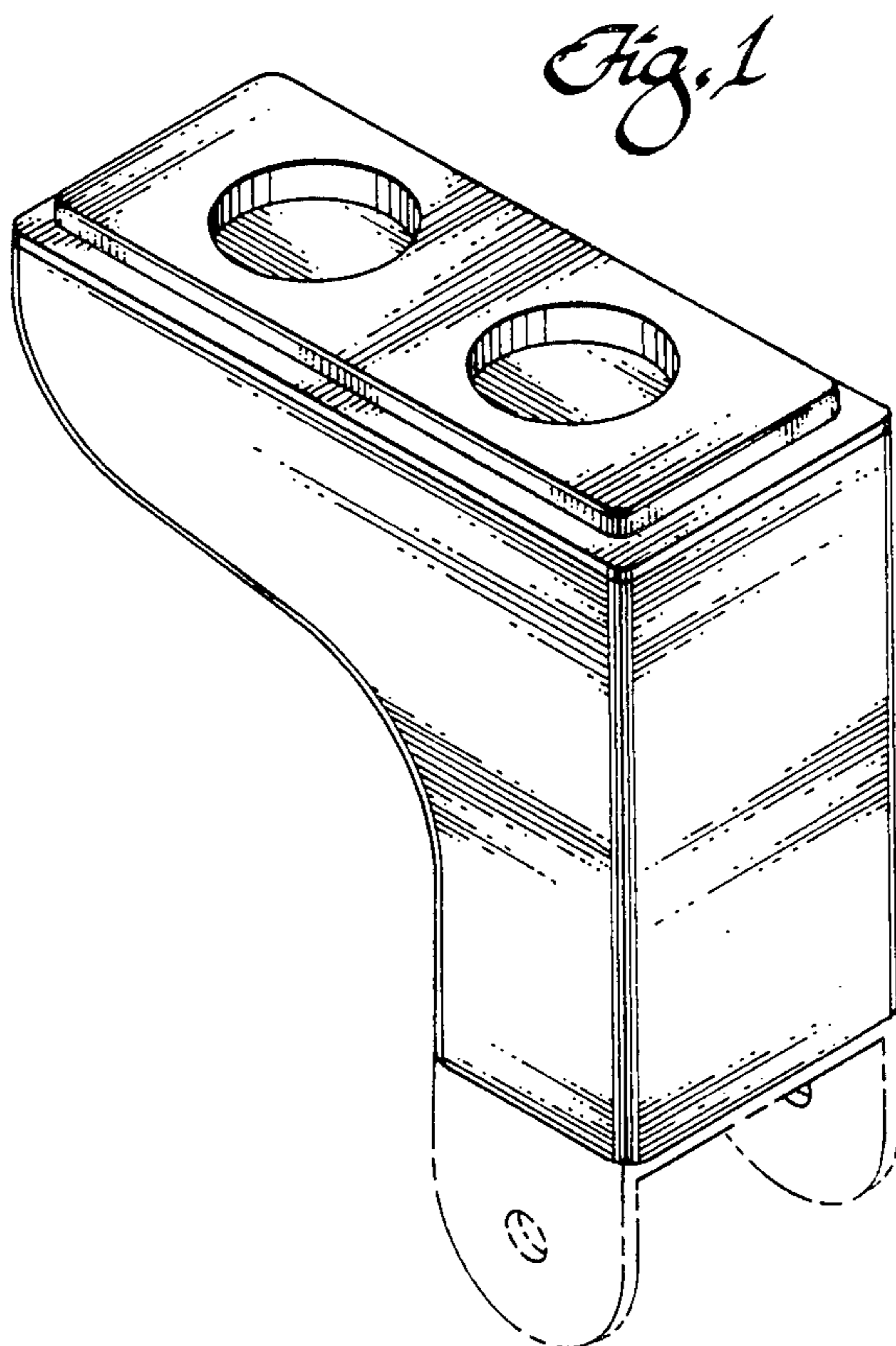


Fig. 4

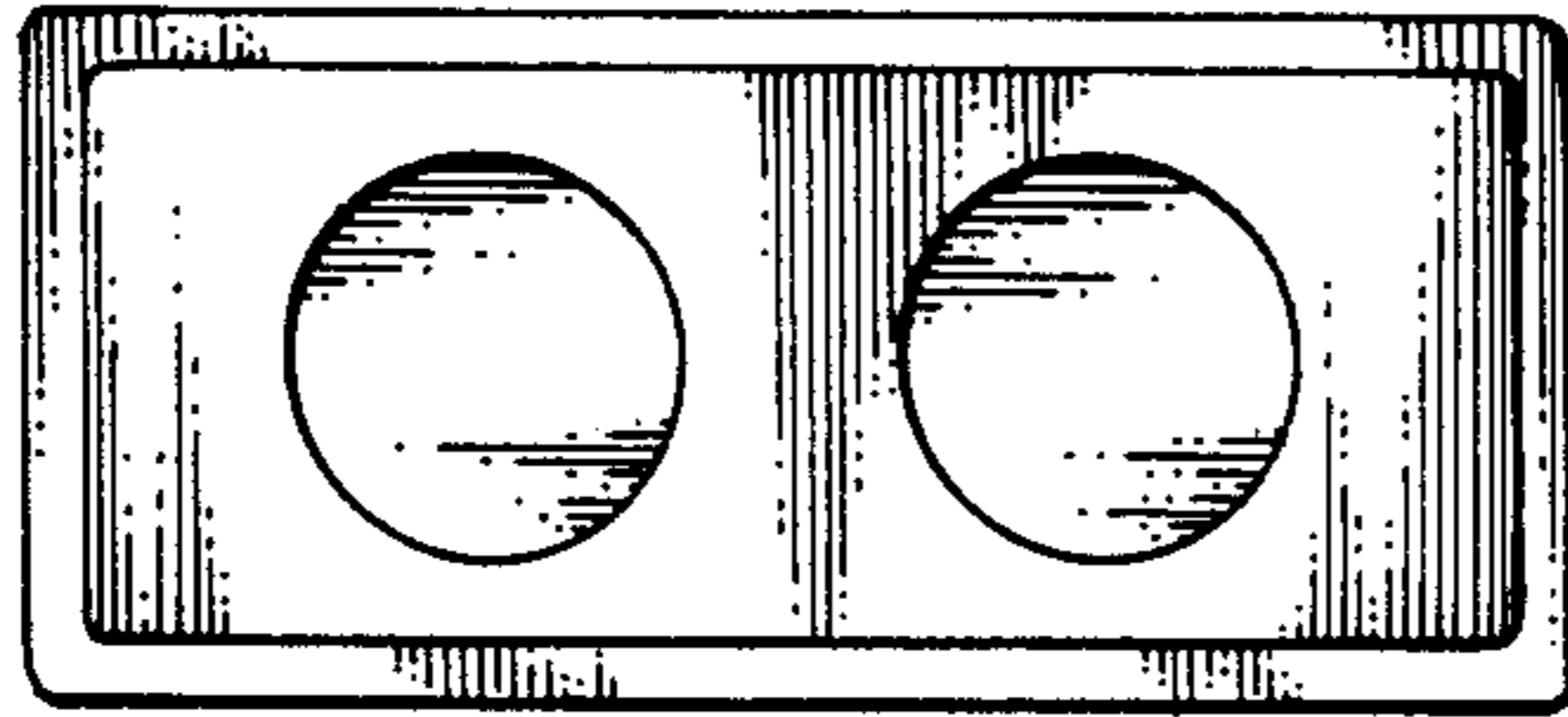


Fig. 5

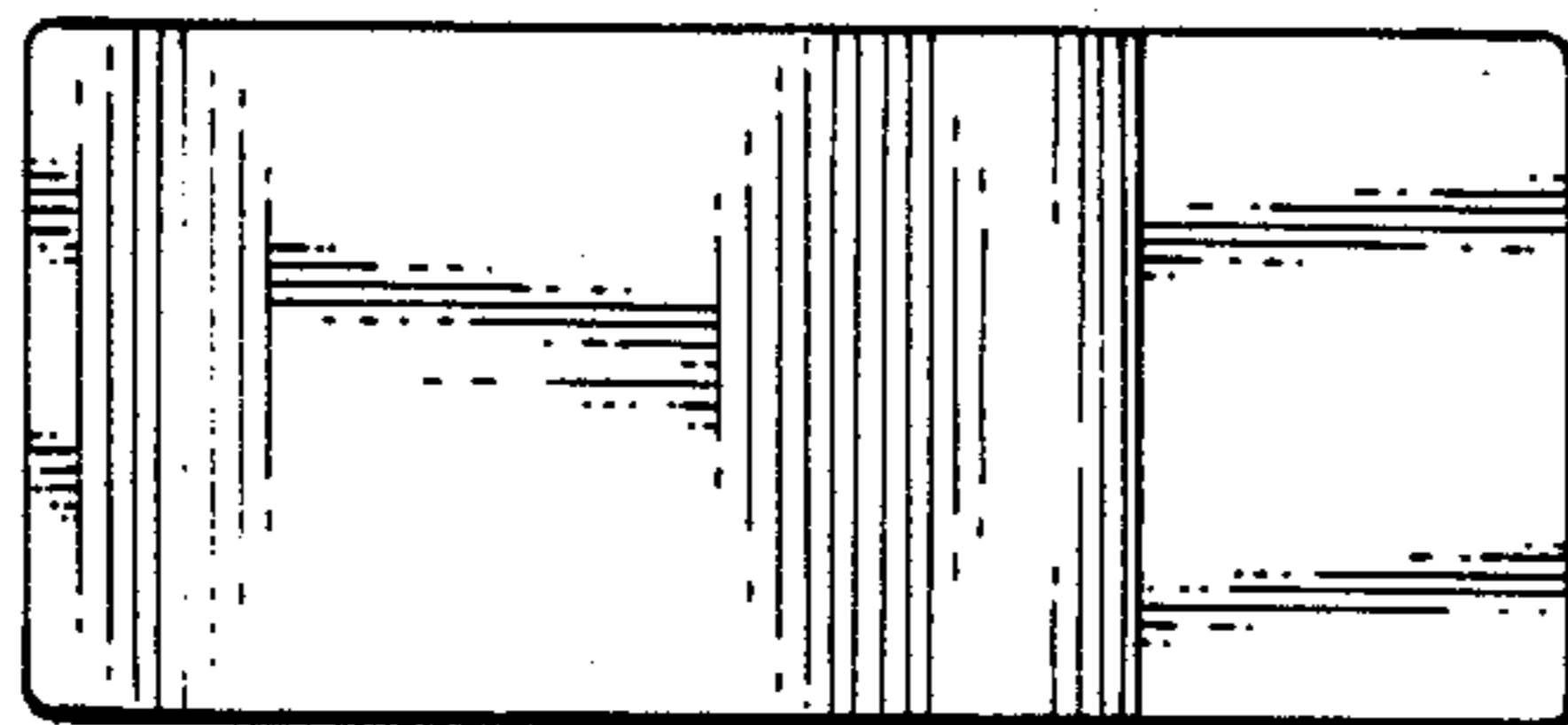


Fig. 7

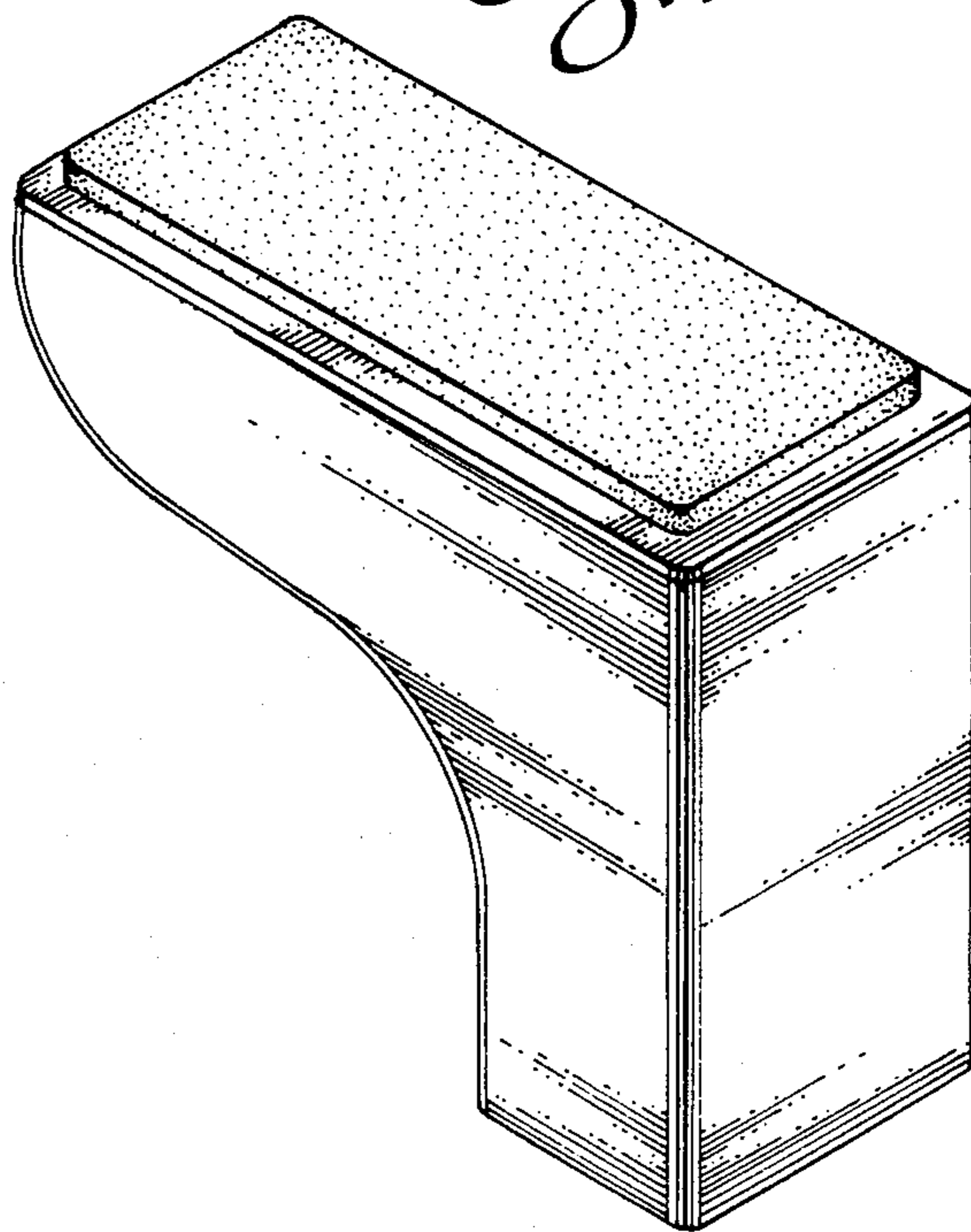


Fig. 6

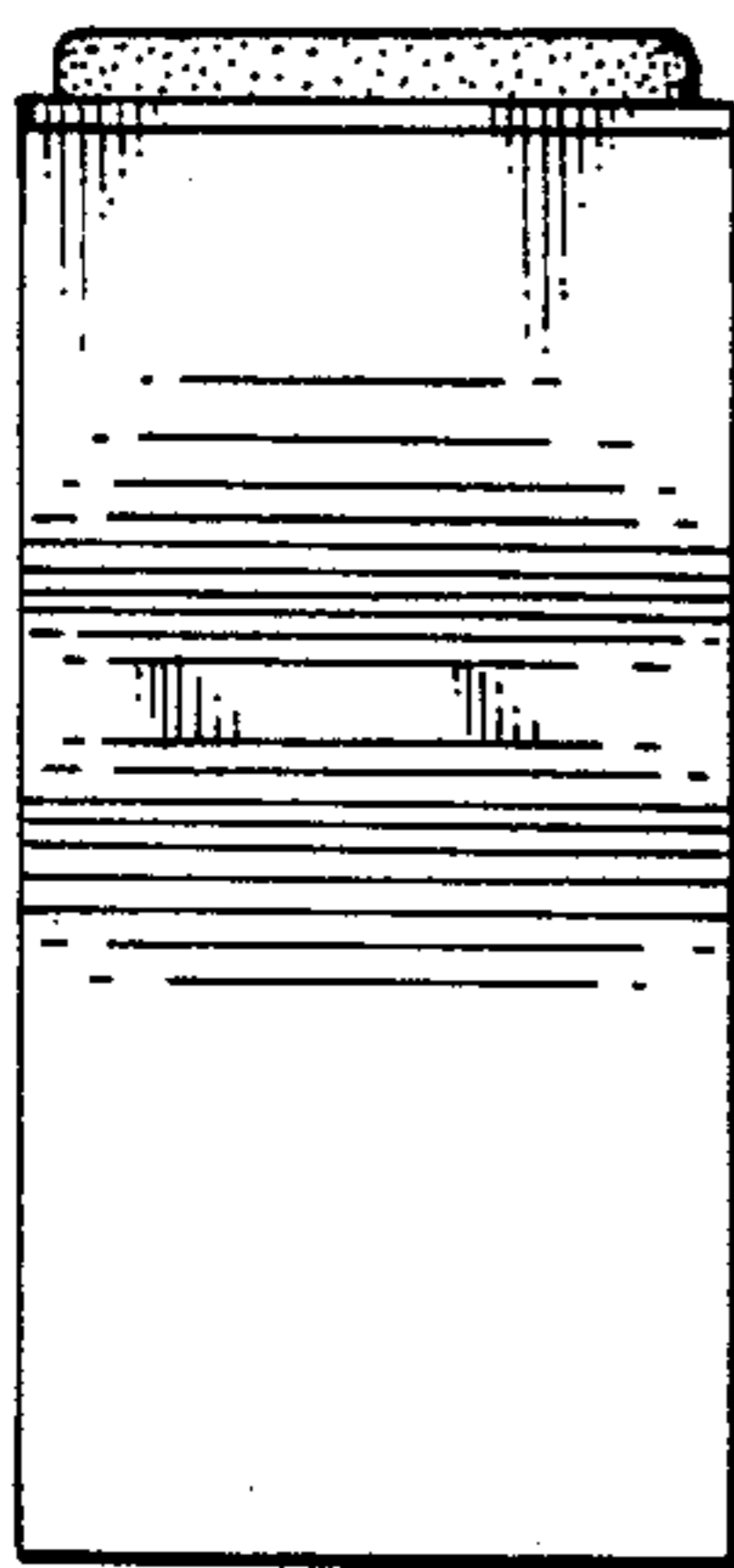


Fig. 8

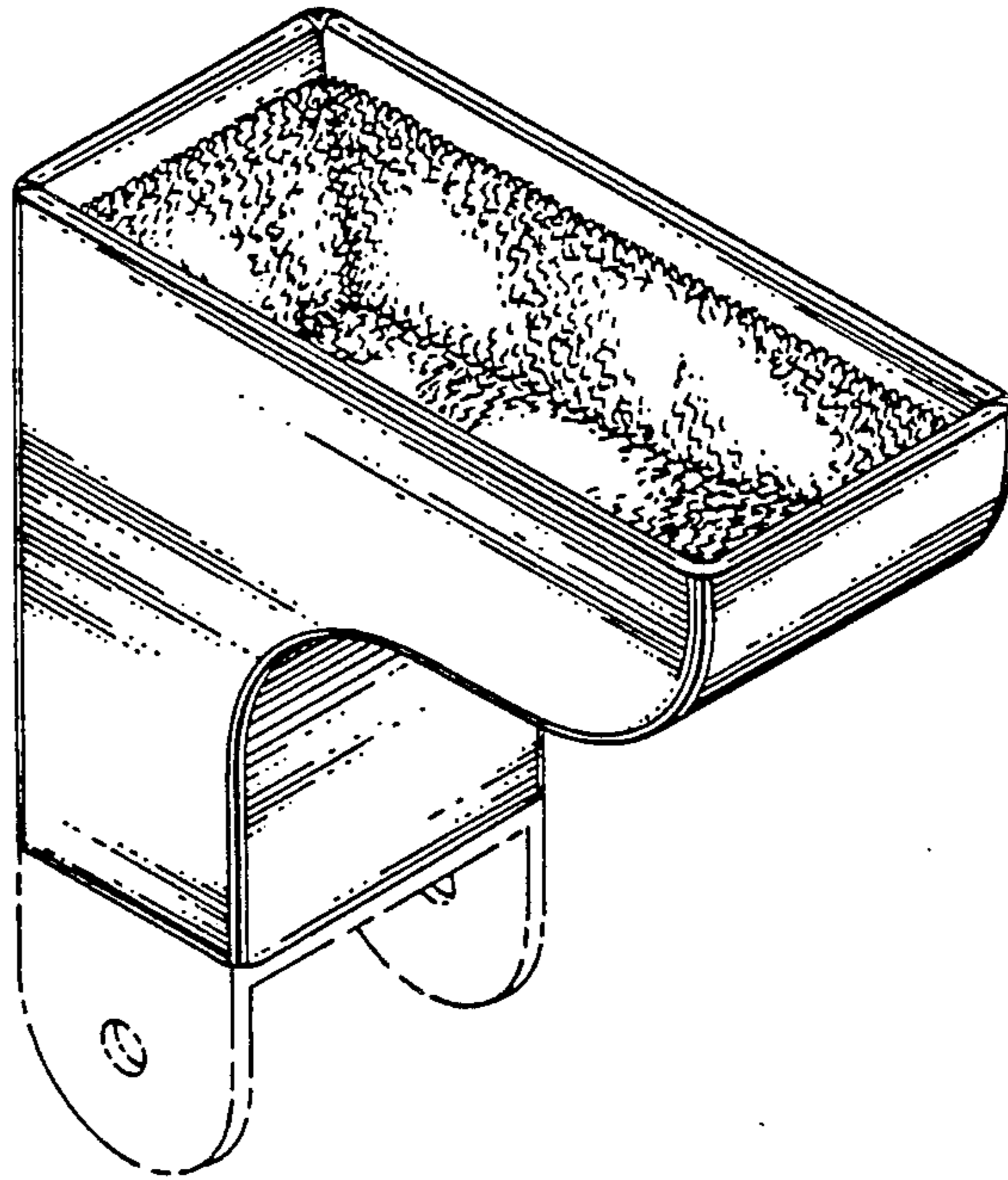


Fig. 9

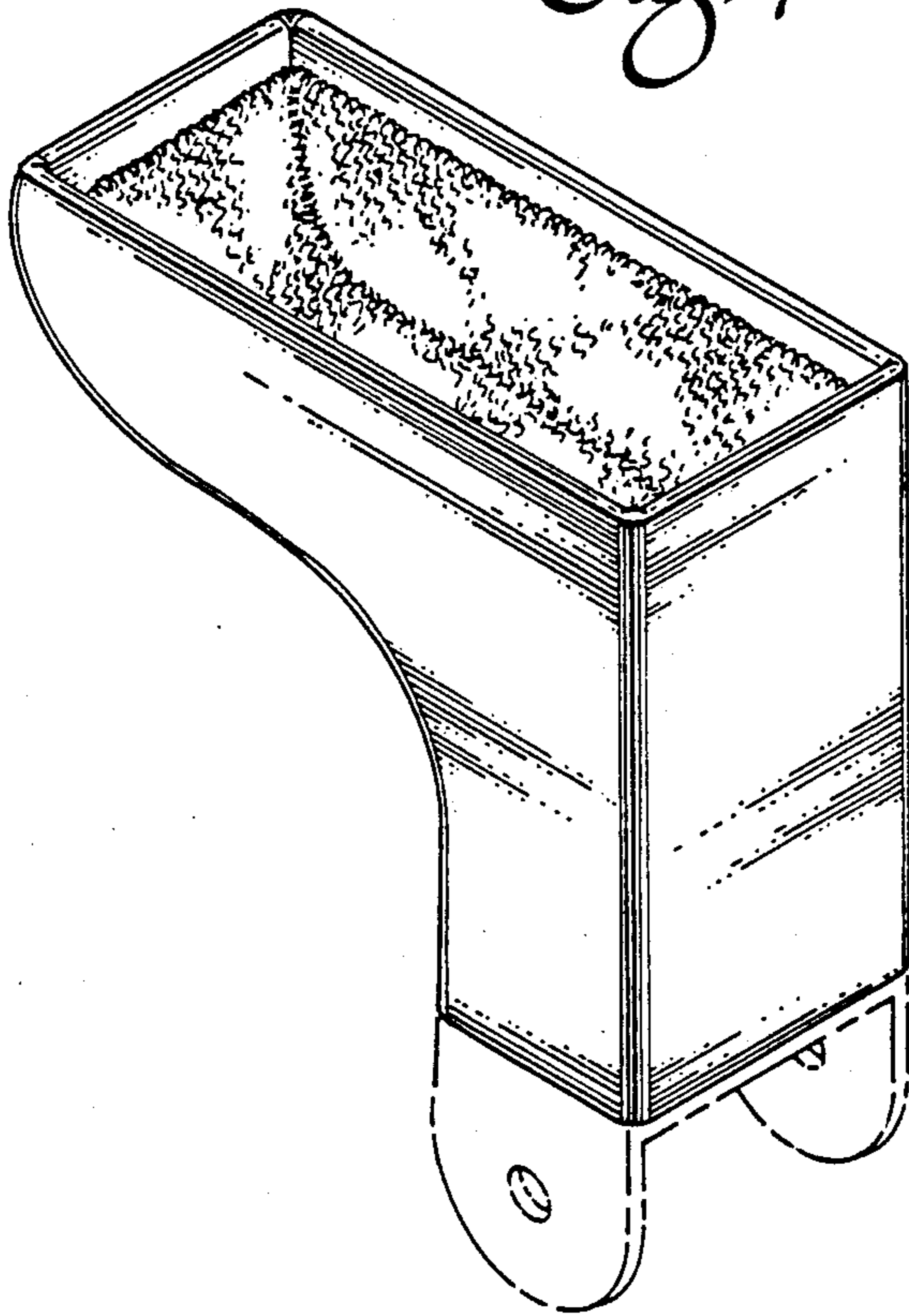


Fig. 10

