

[54] UTILITY VEHICLE FOR WELDING
EQUIPMENT

[76] Inventor: Roger L. Ray, 336 W. Elm St.,
Bishop, Calif. 93514

[**] Term: 14 Years

[21] Appl. No.: 721,087

[22] Filed: Apr. 8, 1985

[52] U.S. Cl. D12/14

[58] Field of Search D12/1, 14, 95; D15/144;
296/1 R

[56] References Cited

U.S. PATENT DOCUMENTS

D. 172,907 8/1954 Schafner D12/14
D. 178,843 9/1956 McNutt D15/144

Primary Examiner—James M. Gandy
Attorney, Agent, or Firm—John H. Crowe

[57] CLAIM

The ornamental design for a utility vehicle for welding
equipment, as shown.

DESCRIPTION

FIG. 1 is a left side elevational view of a utility vehicle
for welding equipment showing my new design.
FIG. 2 is a right side elevational view thereof.
FIG. 3 is a front elevational view thereof.
FIG. 4 is a rear elevational view thereof.
FIG. 5 is a top plan view thereof.

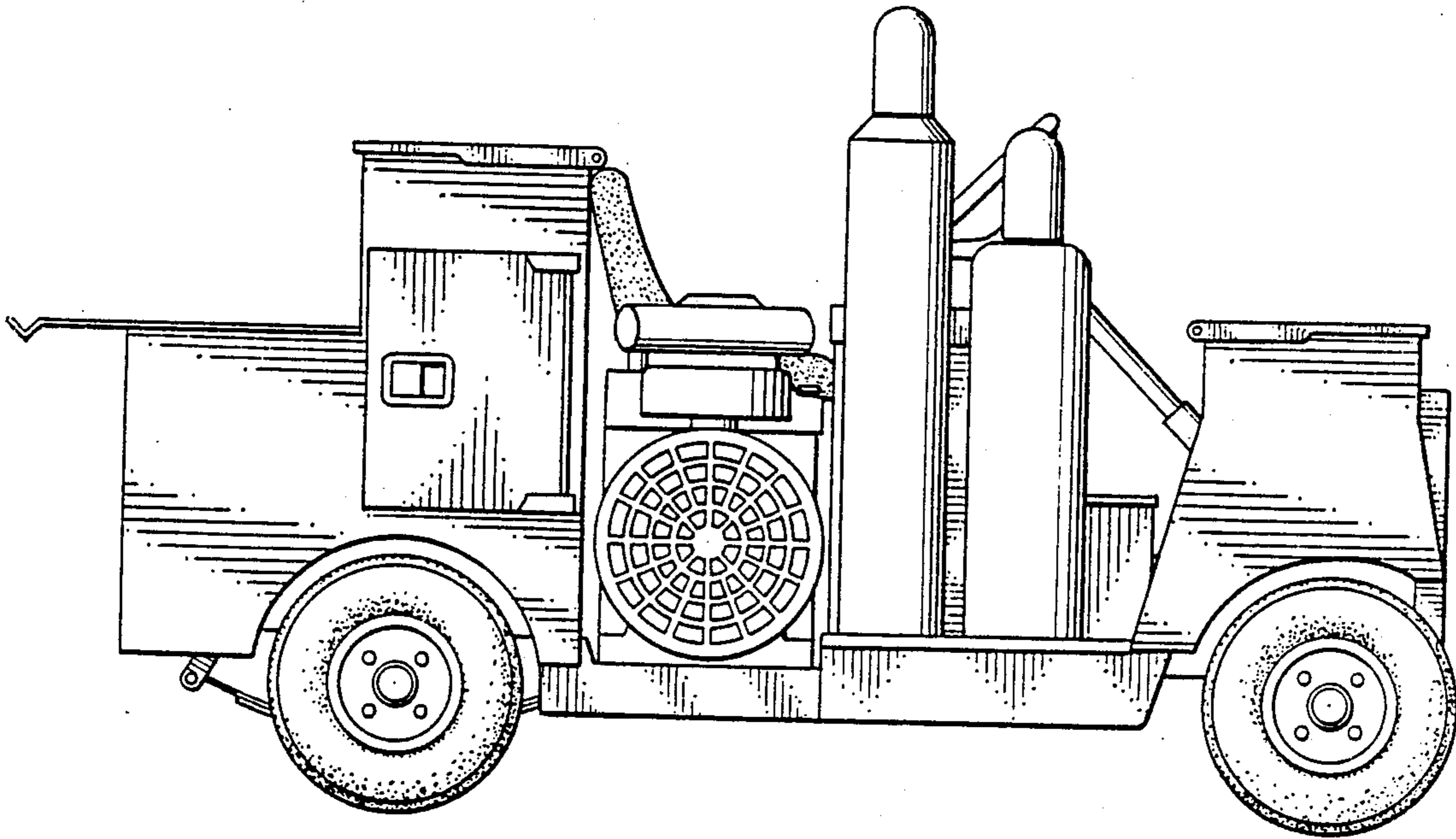


FIG. 1.

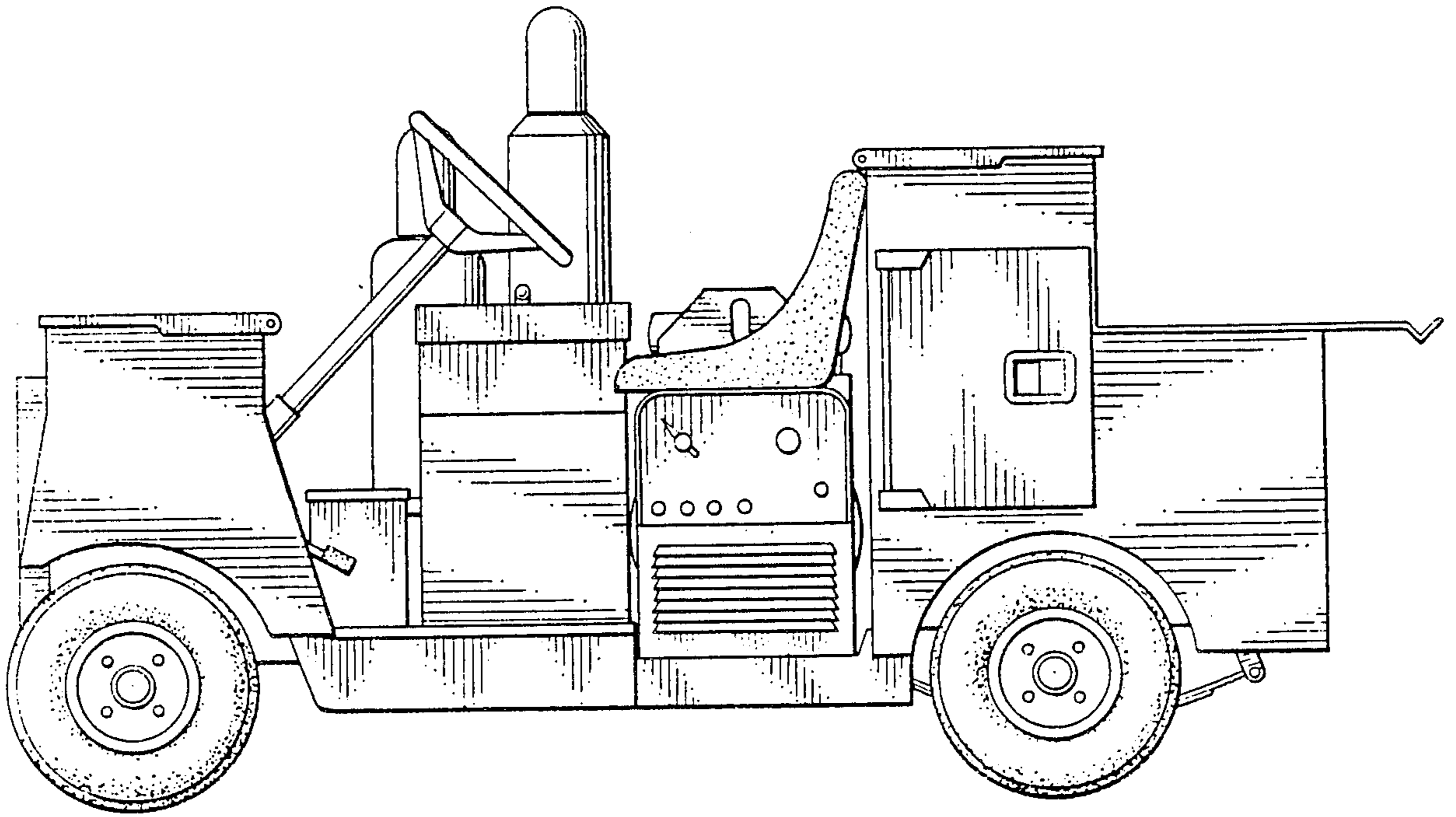


FIG. 2.

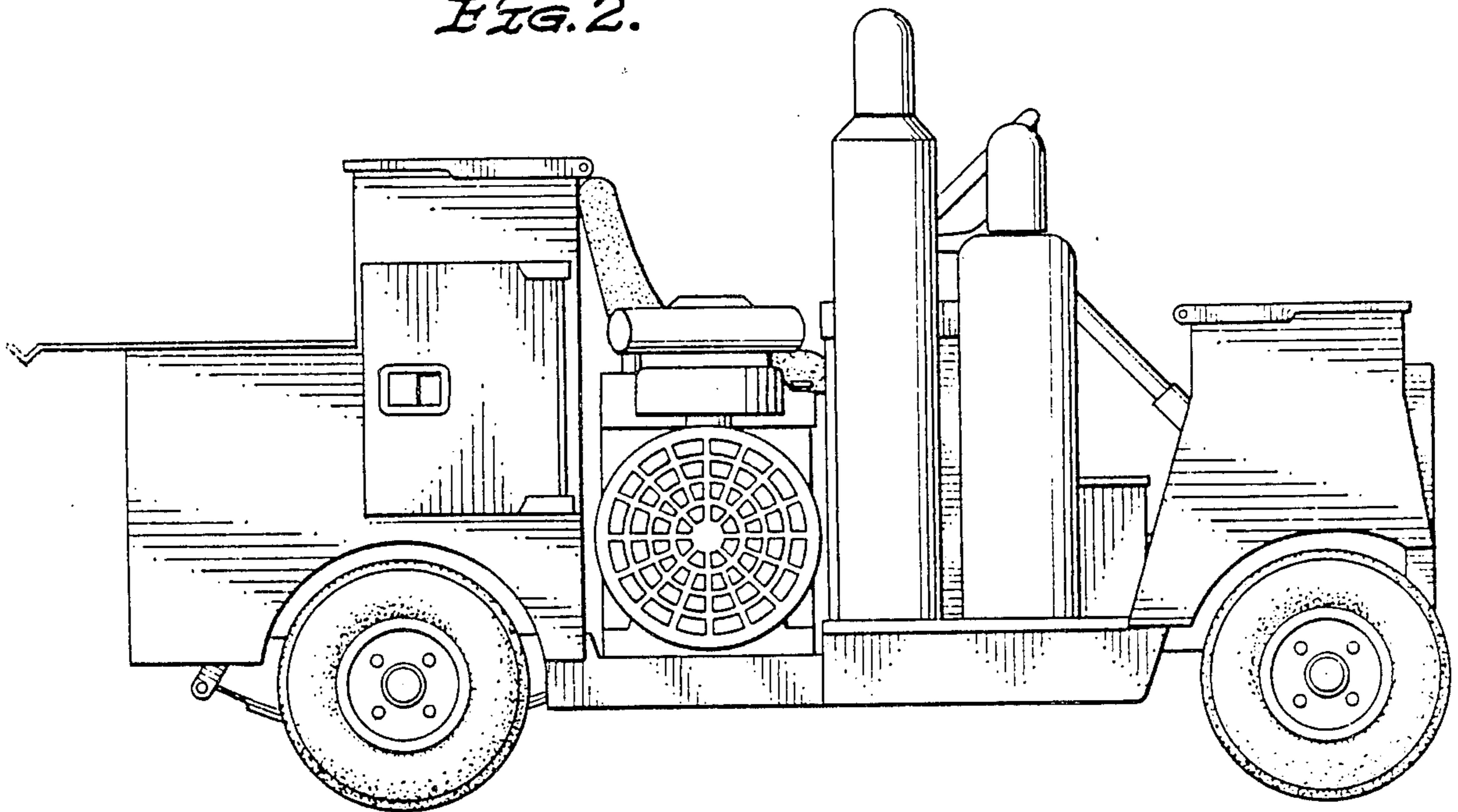


FIG. 3.

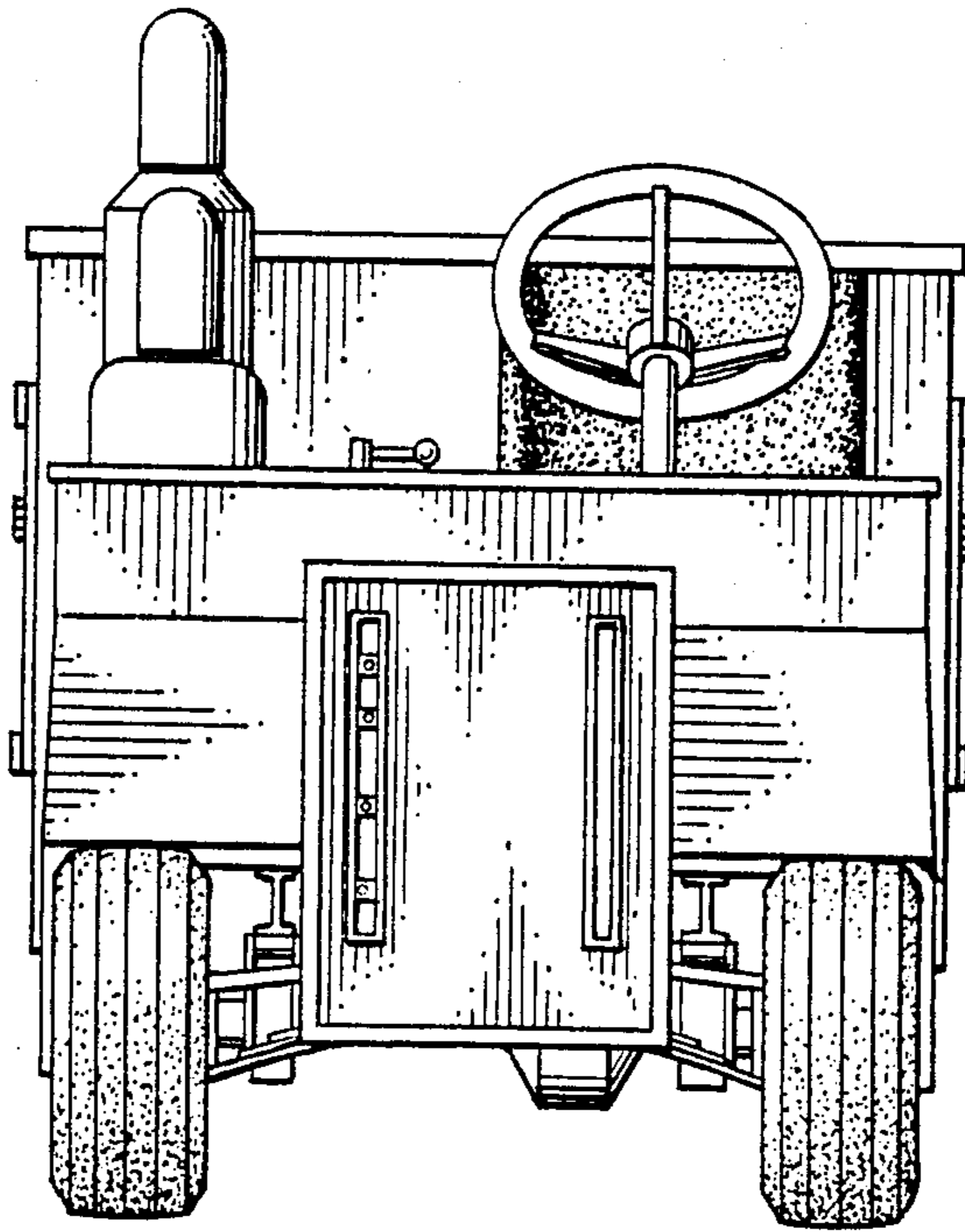


FIG. 4.

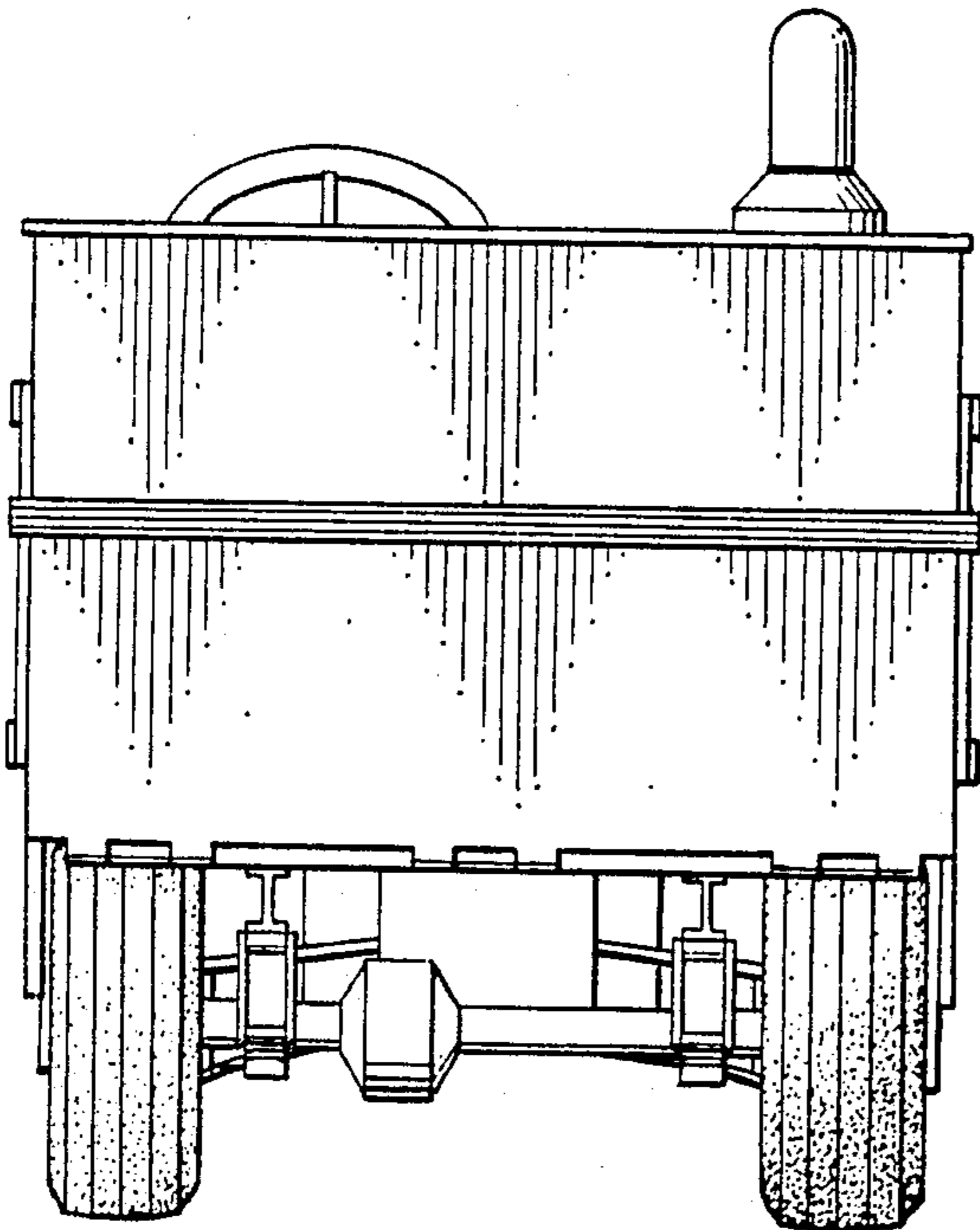


FIG. 5.

