

[54] CARRYING HANDLE FOR BEVERAGE CARTONS

[76] Inventor: John F. Chmela, 1106 Beechwood Dr., Mt. Prospect, Ill. 60056

[**] Term: 14 Years

[21] Appl. No.: 739,166

[22] Filed: May 30, 1985

[52] U.S. Cl. D9/434

[58] Field of Search D9/434, 305, 455; 206/140, 141, 144, 143, 150, 162, 169; 220/94 R; 229/52 R, 52 A, 52 BC; D8/300, 313, 373; 94/25, 26, 170, 171

[56] References Cited

U.S. PATENT DOCUMENTS

D. 268,815 5/1983 Schwalbach D9/434
D. 269,253 6/1983 Gagnon D9/434
4,590,640 5/1986 Enersen D9/434 X

Primary Examiner—Robert C. Spangler
Attorney, Agent, or Firm—Robert E. Knechtel; Basil E. Demeur

[57] CLAIM

The ornamental design for a carrying handle for beverage cartons, substantially as shown and described.

DESCRIPTION

FIG. 1 is a front elevational view of a carrying handle for beverage cartons, showing my new design;
FIG. 2 is a rear elevational view;
FIG. 3 is a side elevational view;
FIG. 4 is a top plan view; and,
FIG. 5 is a bottom plan view.

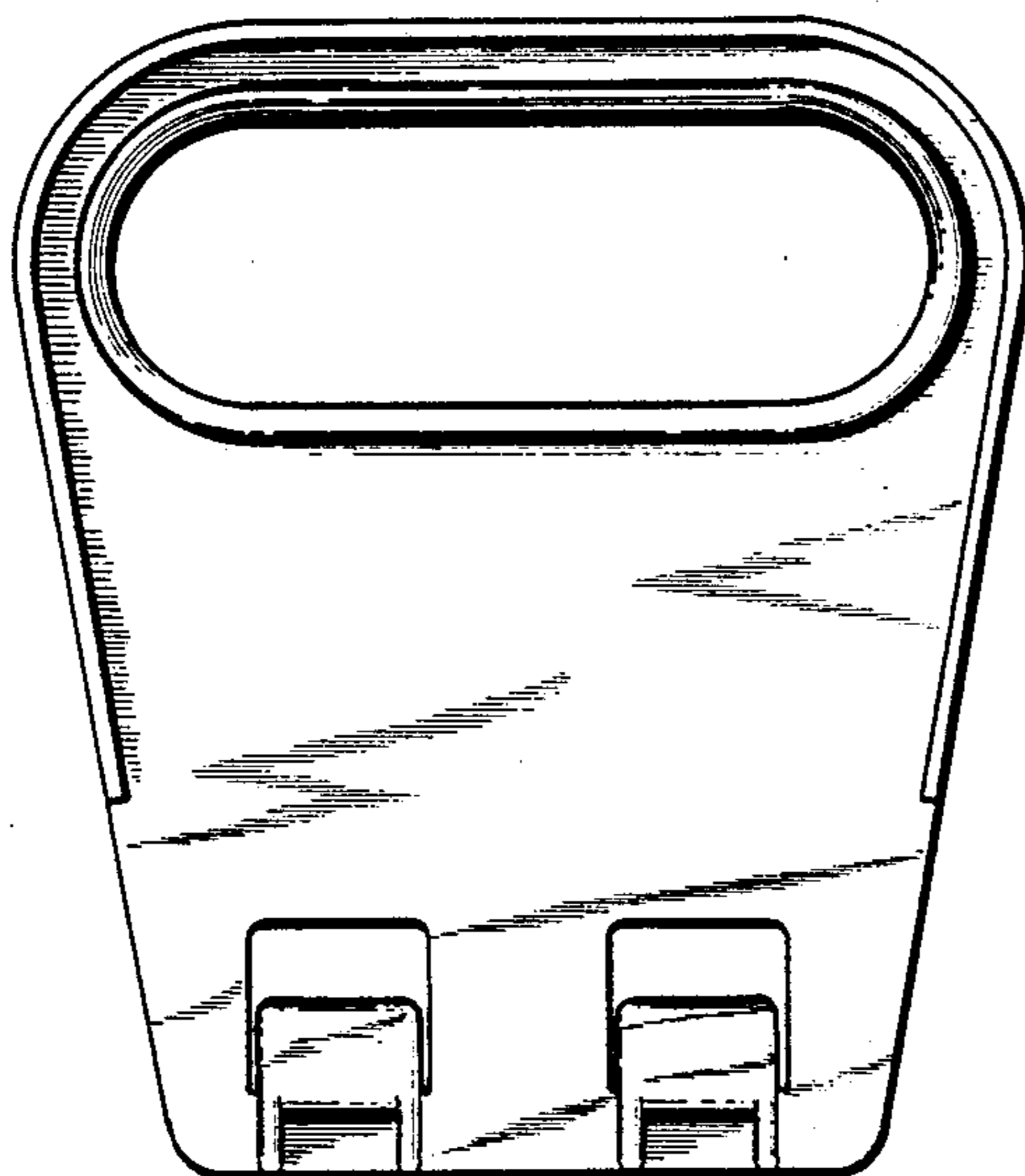


FIG. 3



FIG. 2

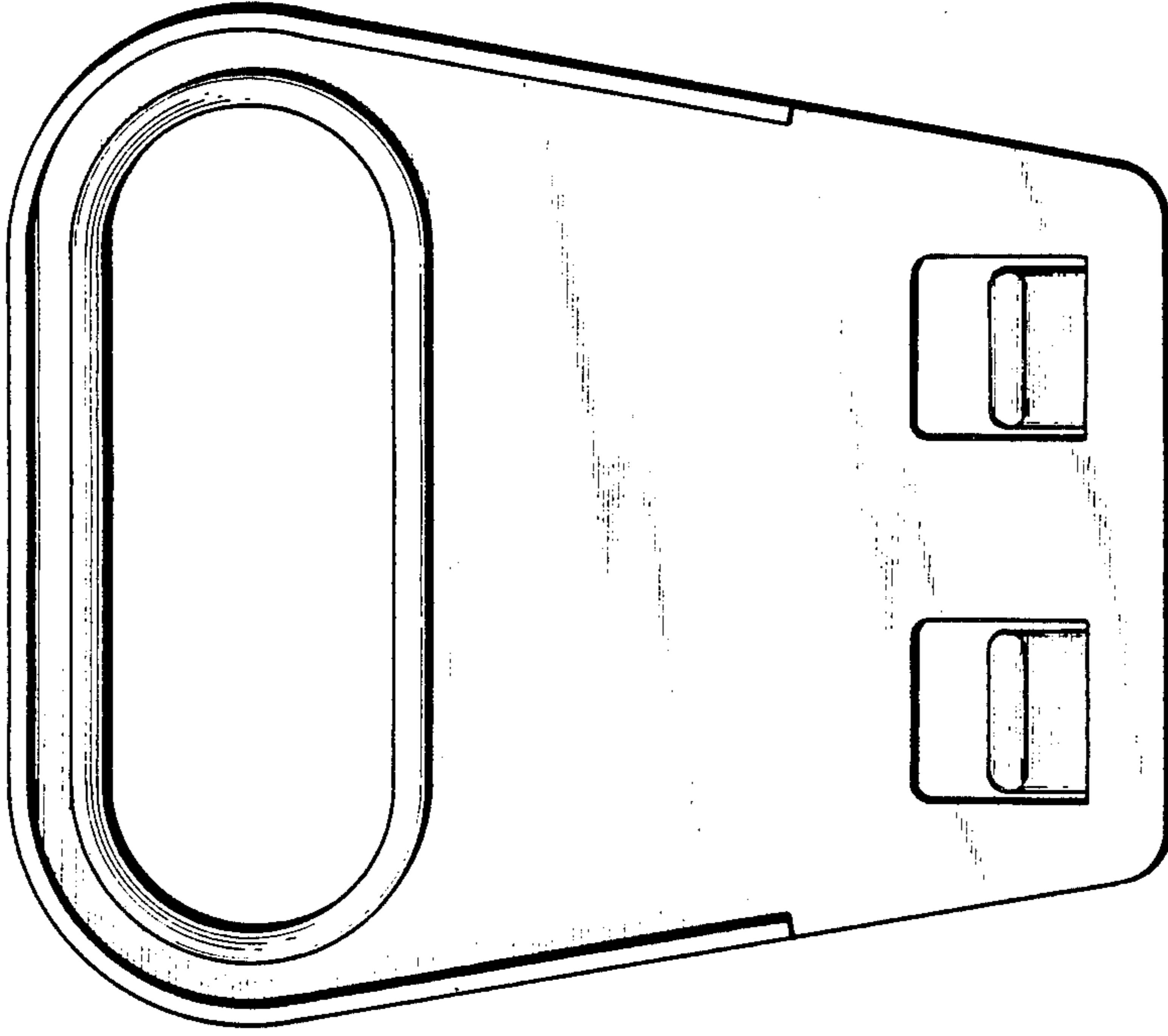


FIG. 1

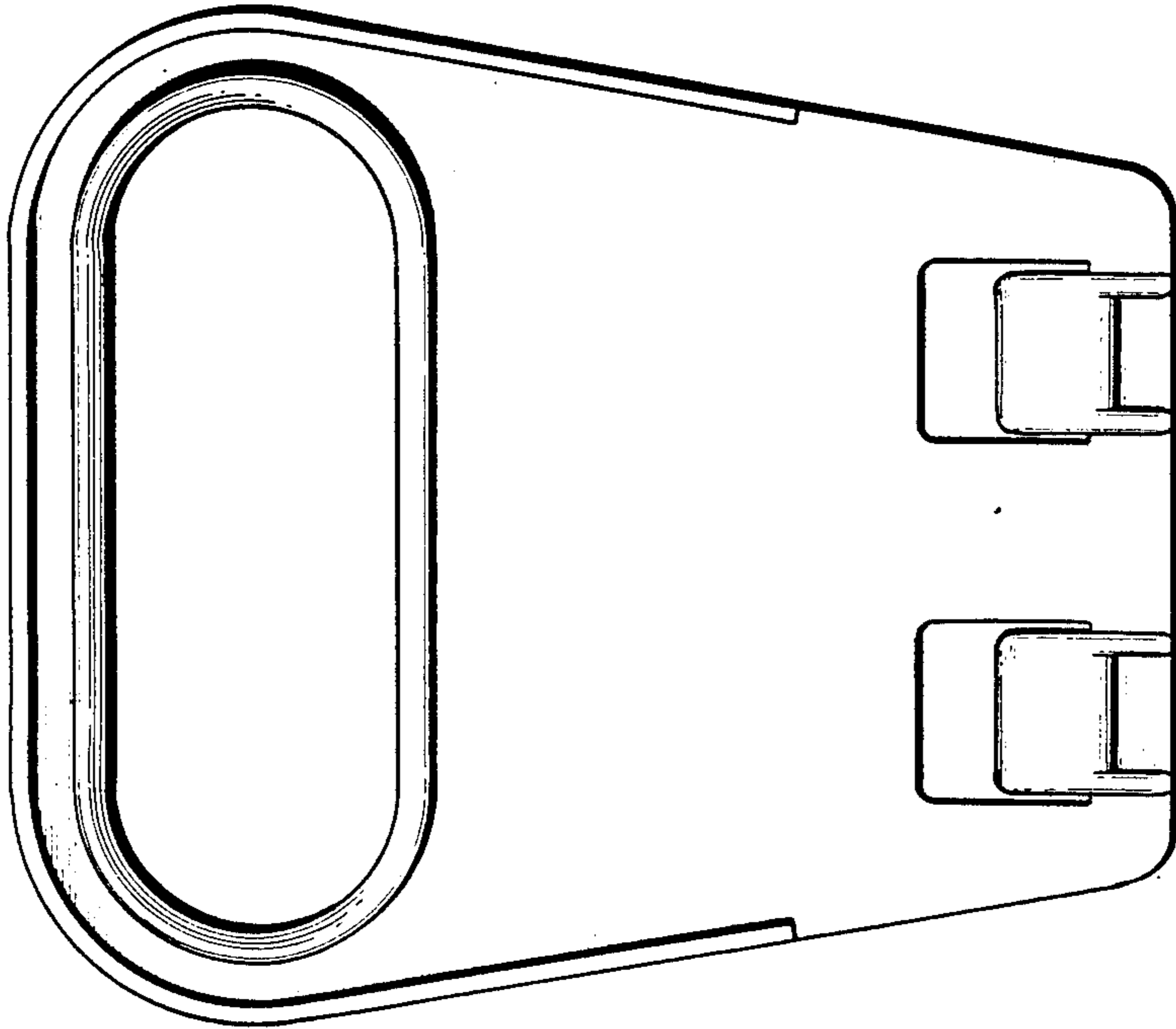


FIG. 5

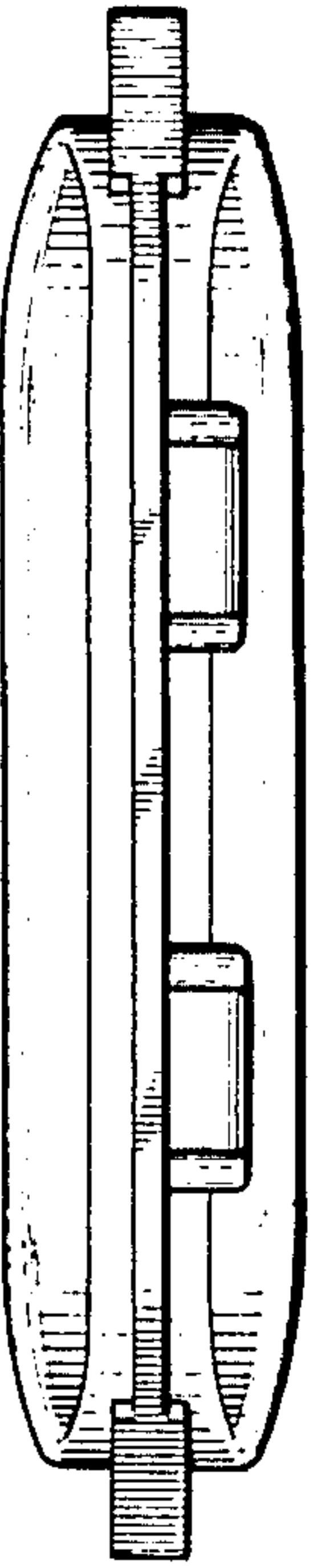


FIG. 4

