

[54] HANGER FOR DISPLAYING AND DISPENSING ARTICLES

1226018 2/1960 France 248/221.2
710030 6/1954 United Kingdom 248/221.2
1357477 6/1974 United Kingdom 248/221.2

[76] Inventor: S. Alton Smyth, III, Blackstone St., Uxbridge, Mass. 01569

[**] Term: 14 Years

[21] Appl. No.: 741,357

[22] Filed: Jun. 3, 1985

[52] U.S. Cl. D8/373; D6/566; D8/381; 248/721.2

[58] Field of Search D8/373, 380; D6/566, D6/567, 574, 572; 248/221.2

[56] References Cited

U.S. PATENT DOCUMENTS

- D. 144,085 3/1946 Van Doren D8/381
- D. 167,722 9/1952 Rosenthal Jr., D8/381
- D. 275,917 10/1984 Einhorn D8/380 X
- D. 276,195 11/1984 Smith D8/380 X
- D. 278,875 5/1985 Beard D6/566
- 1,803,016 4/1931 Hansted 248/221.2
- 2,312,985 3/1913 Bales 248/221.2
- 2,576,865 11/1951 Vandenveld 248/221.2
- 3,433,365 3/1969 Hudson 248/221.2
- 3,880,390 4/1975 Niven 248/221.2
- 4,619,428 10/1986 Bailey 248/221.2

FOREIGN PATENT DOCUMENTS

- 730981 3/1966 Canada 248/221.2

OTHER PUBLICATIONS

Armstrong Face-Out Fixturing Brochure, 8 pages, Hangers on pp. 1, 2, 3, 8.

Alpha Display Mfg. Co.; Catalog: Display Hanger pp. 6, 7, 18, 24, 25.

Sweet's Catalog-File, vol. 10-Sec. 10.16, Support Brackets at pp. 34, 32.

Schoner Wohnen Sheet at p. 9; Display Hangers.

Primary Examiner—Wallace R. Burke

Assistant Examiner—Horace B. Fay, Jr.

Attorney, Agent, or Firm—Salter & Michaelson

[57] CLAIM

The ornamental design for a hanger for displaying and dispensing articles, substantially as shown and described.

DESCRIPTION

FIG. 1 is a front, top and left side perspective view of a hanger for displaying and dispensing articles, showing my new design;

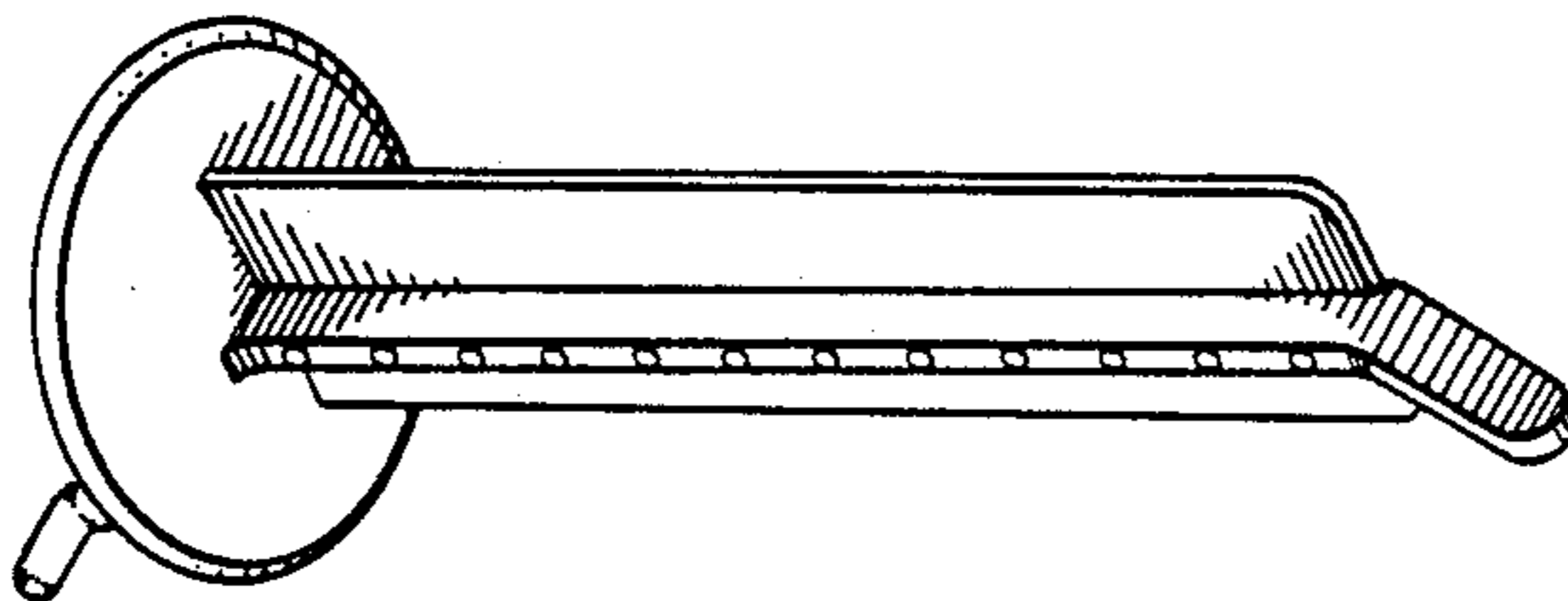
FIG. 2 is a left side elevational view thereof, the side opposite being a mirror image thereof;

FIG. 3 is a rear elevational view thereof;

FIG. 4 is a bottom plan view thereof;

FIG. 5 is a front elevational view thereof; and,

FIG. 6 is a top plan view thereof.



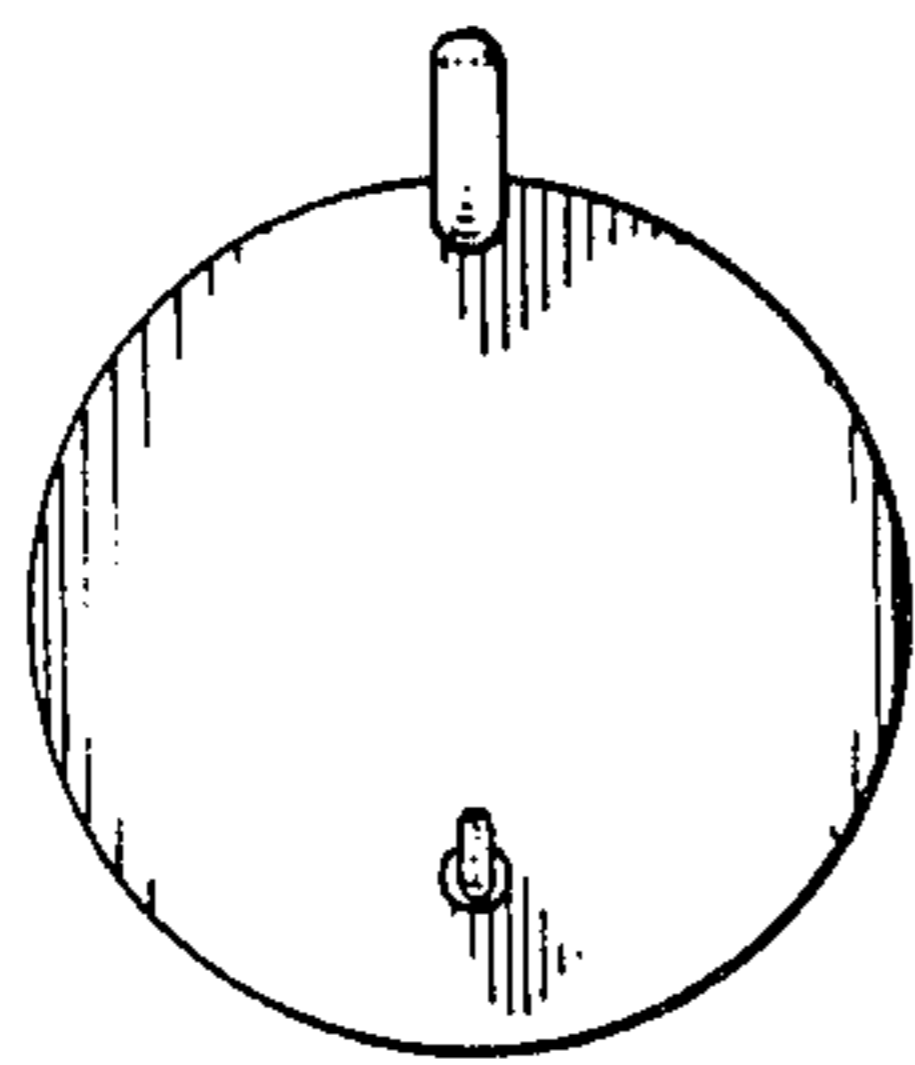
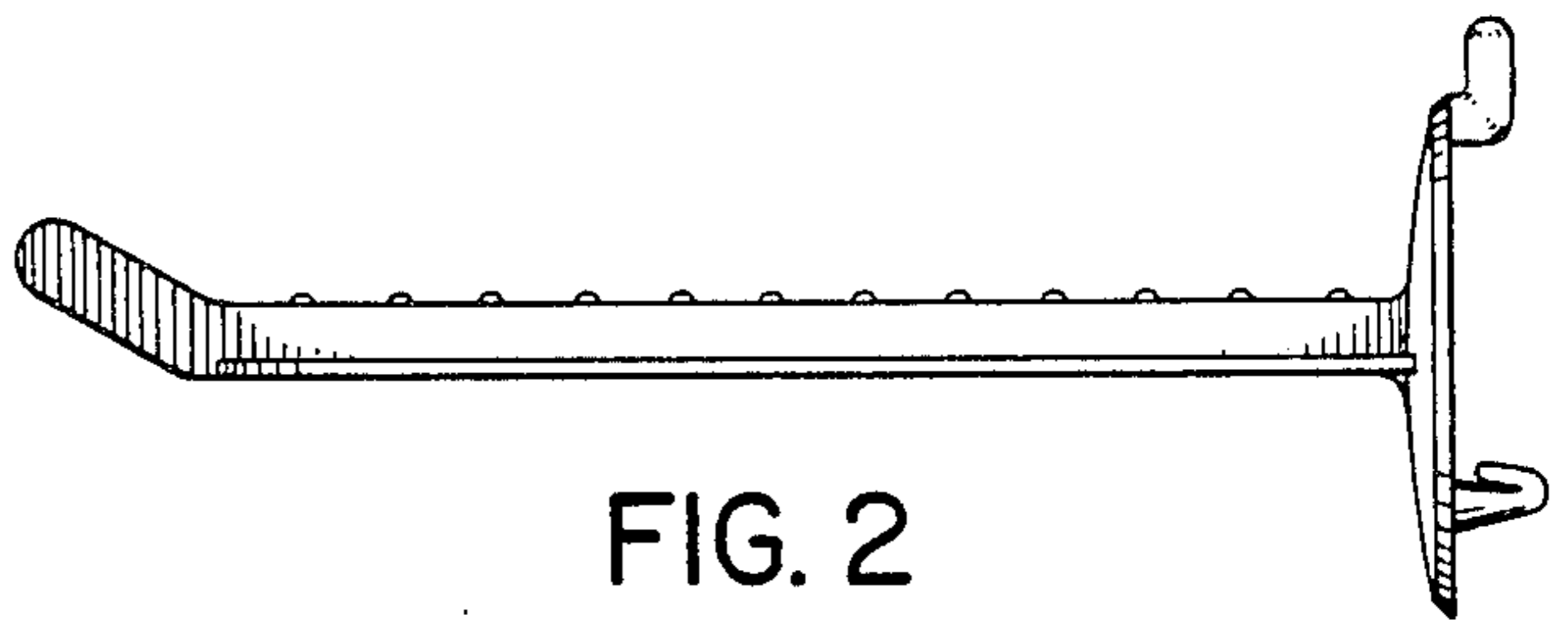
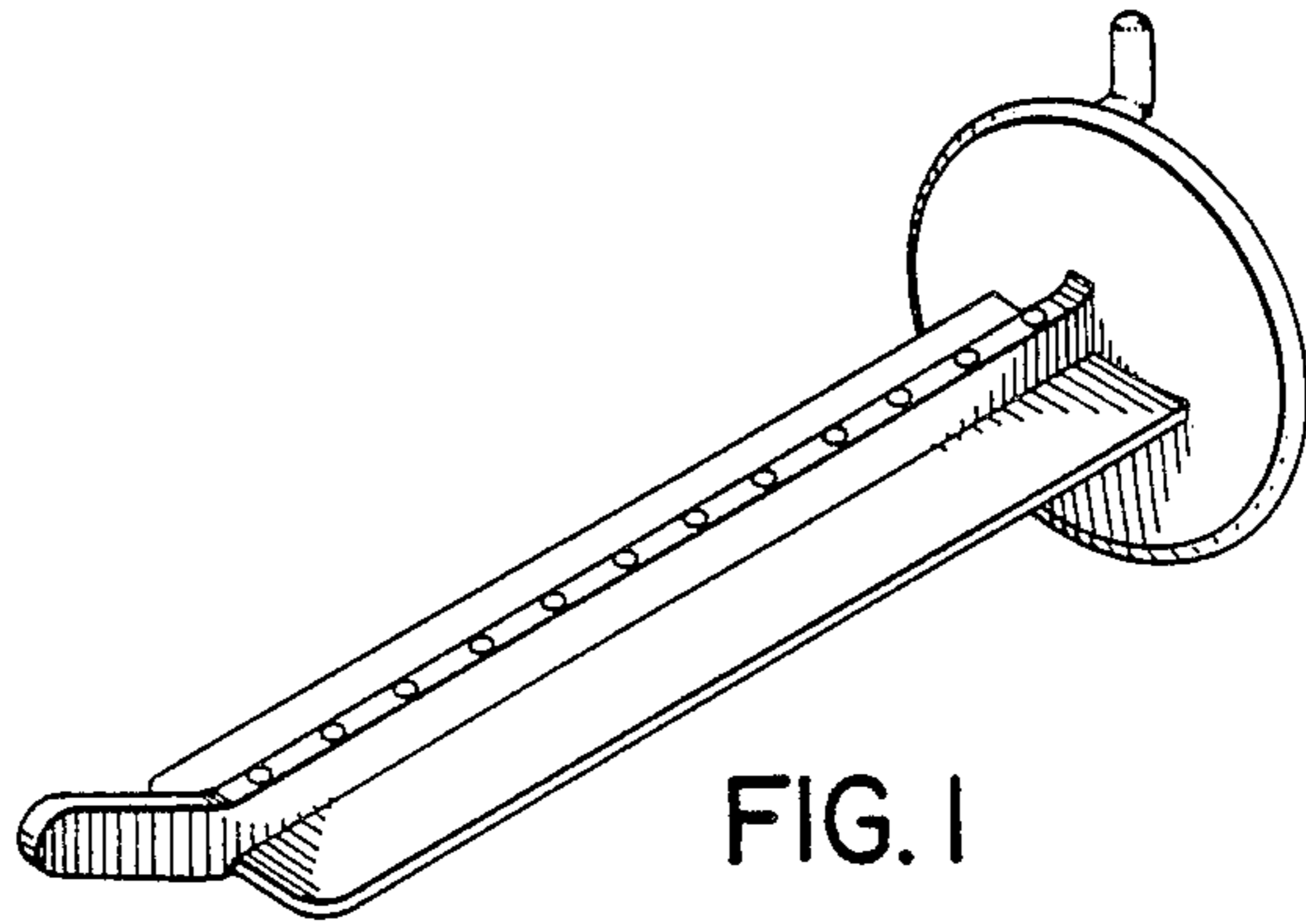


FIG. 3

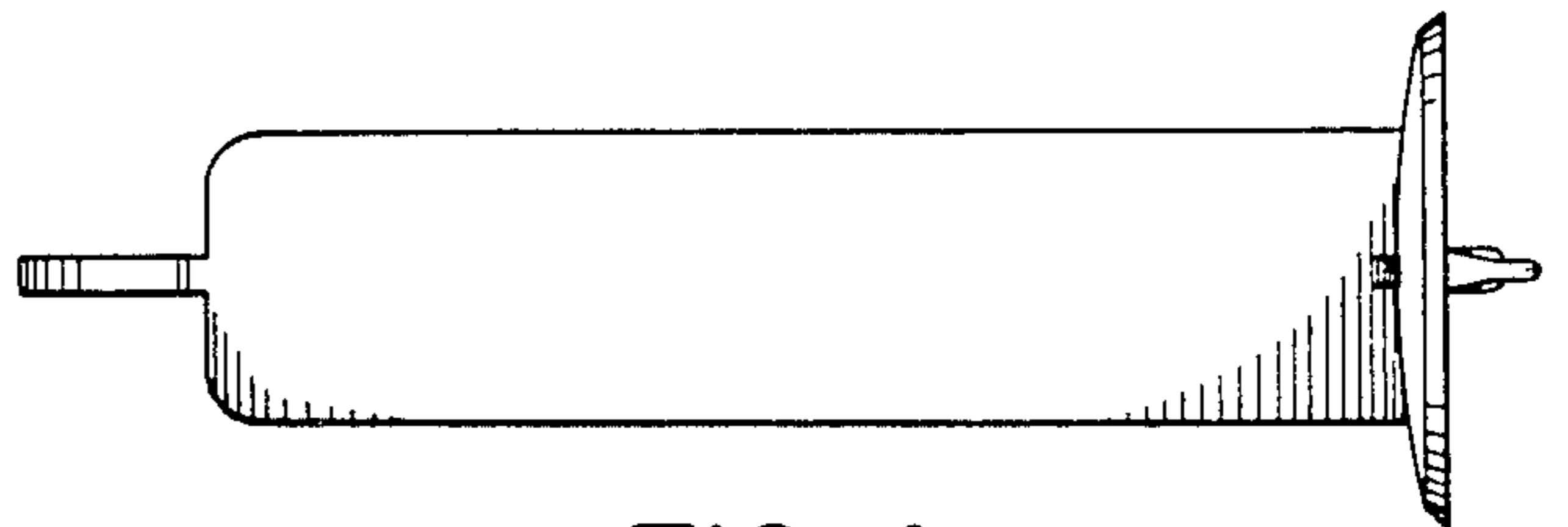


FIG. 4

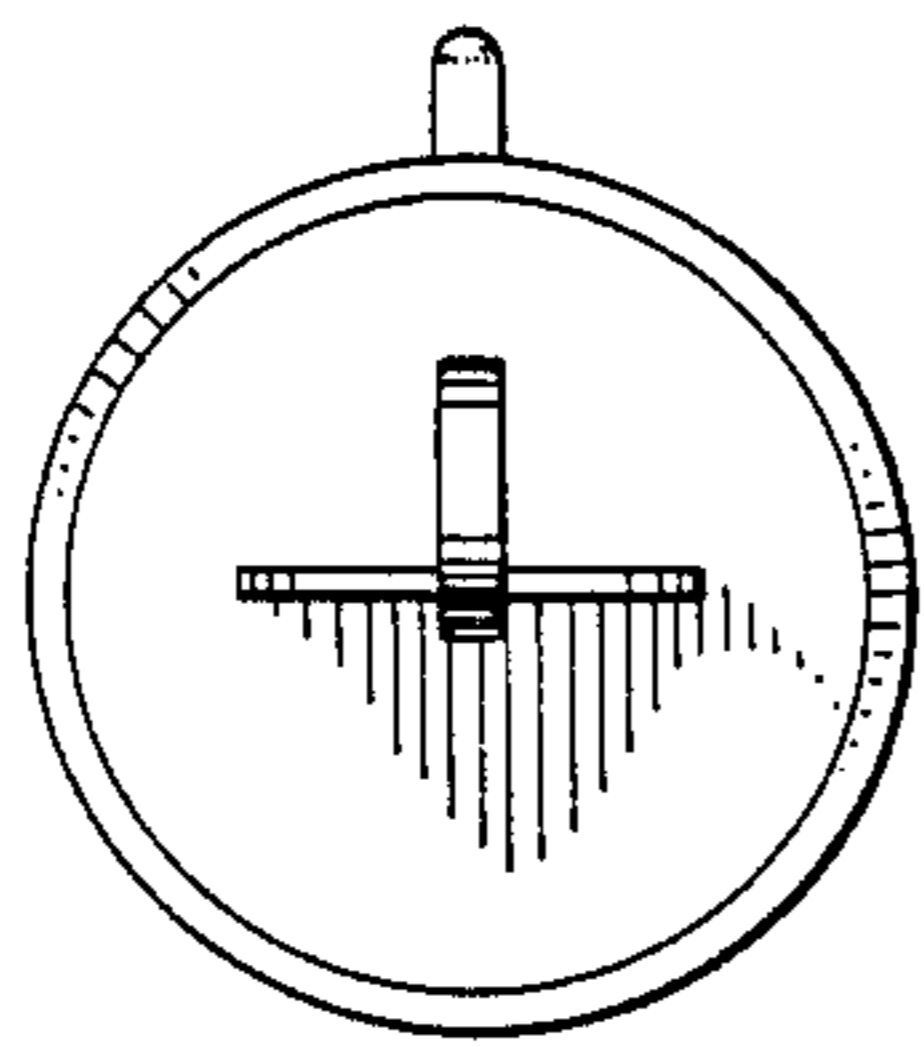


FIG. 5

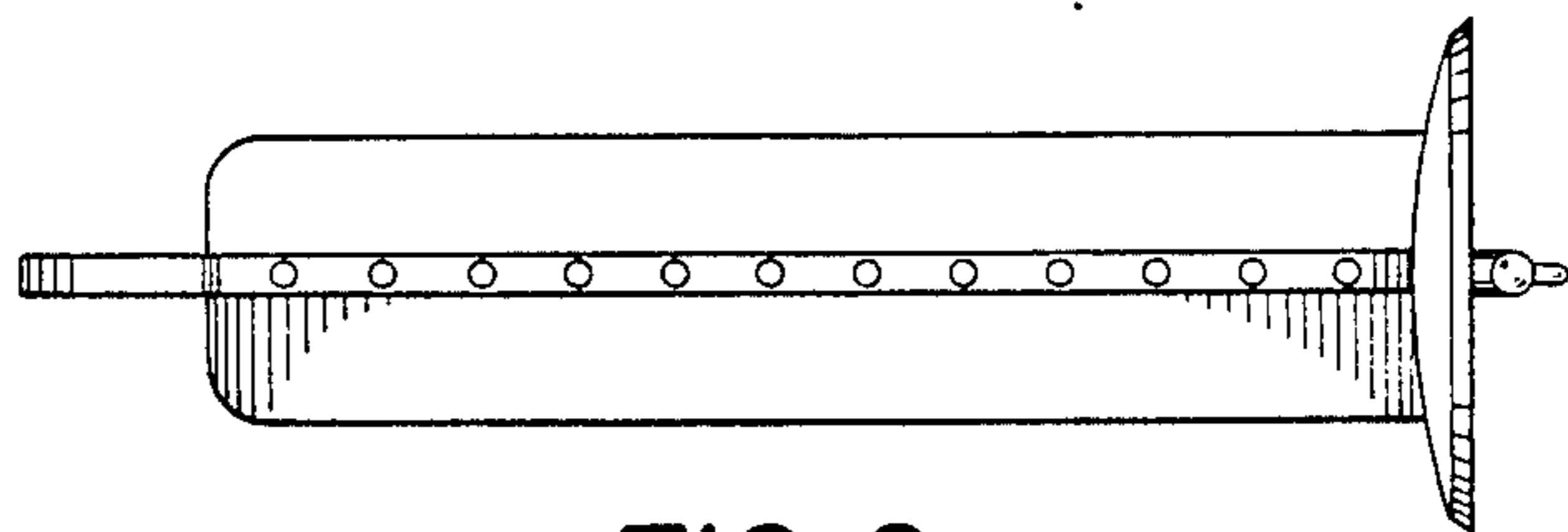


FIG. 6