

United States Patent [19]
Steinko

[11] **Patent Number: Des. 294,101**

[45] **Date of Patent: ** Feb. 9, 1988**

[54] **ICE CREAM SCOOP**

4,161,381 7/1979 Sciortino 425/286

[75] **Inventor: Willi Steinko, Nassau, Fed. Rep. of Germany**

Primary Examiner—Bernard Ansher
Assistant Examiner—Terry Pfeffer
Attorney, Agent, or Firm—Townsend & Townsend

[73] **Assignee: Mike & Kremmel Ltd., Kowloon, Hong Kong**

[57] **CLAIM**

[**] **Term: 14 Years**

The ornamental design for an ice cream scoop, as shown and described.

[21] **Appl. No.: 711,914**

DESCRIPTION

[22] **Filed: Mar. 14, 1985**

[52] **U.S. Cl. D7/100; D7/104**

[58] **Field of Search D7/99-106; 294/55; 425/276, 286**

FIG. 1 is a left side elevational view of an ice cream scoop showing my new design;
FIG. 2 is a top plan view thereof;
FIG. 3 is a bottom plan view thereof;
FIG. 4 is a top, front, right side perspective view thereof;
FIG. 5 is a rear elevational view thereof; and
FIG. 6 is a top, front, right side perspective view thereof showing the eject lever depressed.

[56] **References Cited**

U.S. PATENT DOCUMENTS

2,756,698 7/1956 Eichin et al. D7/100 X

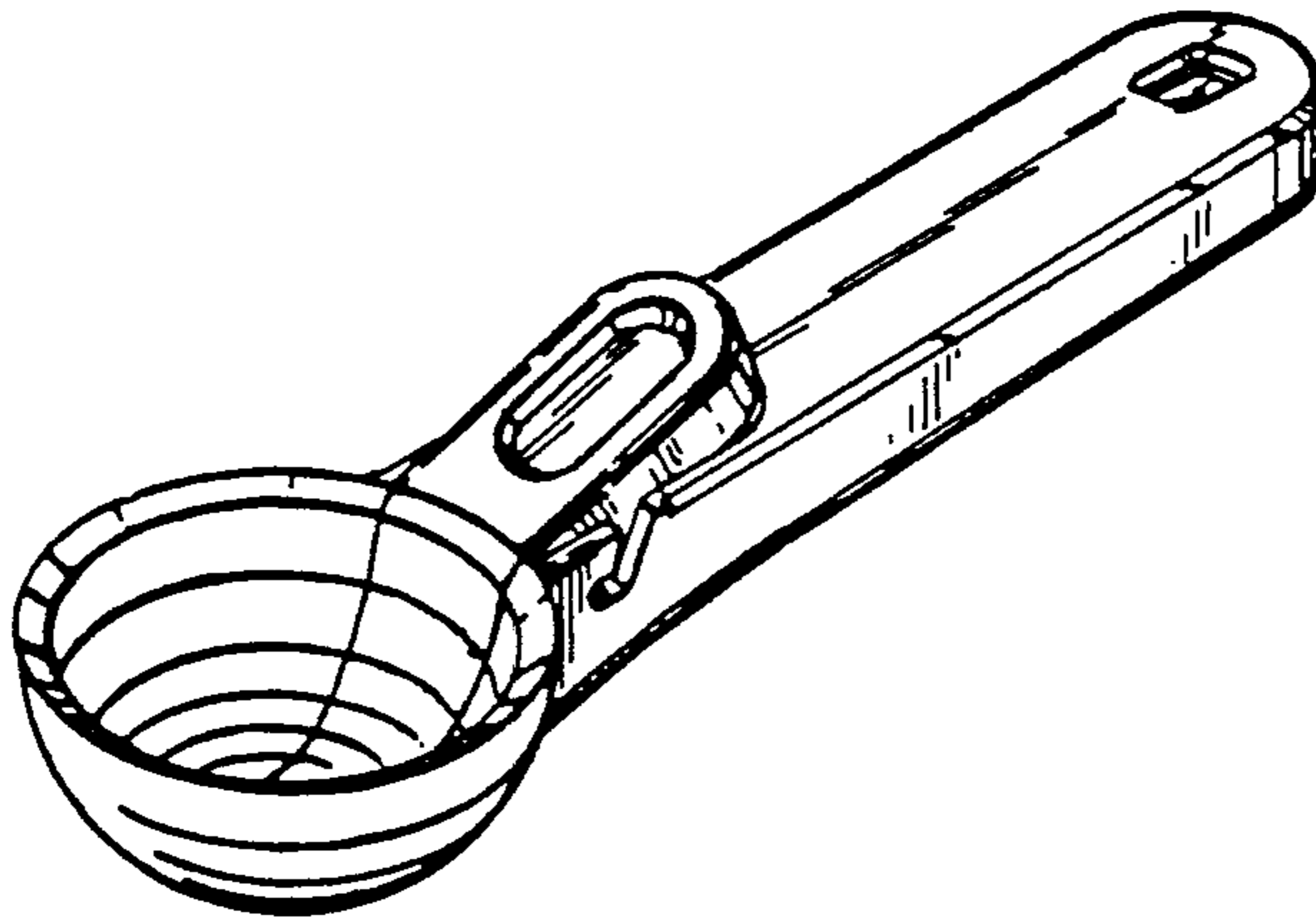


FIG. 4.

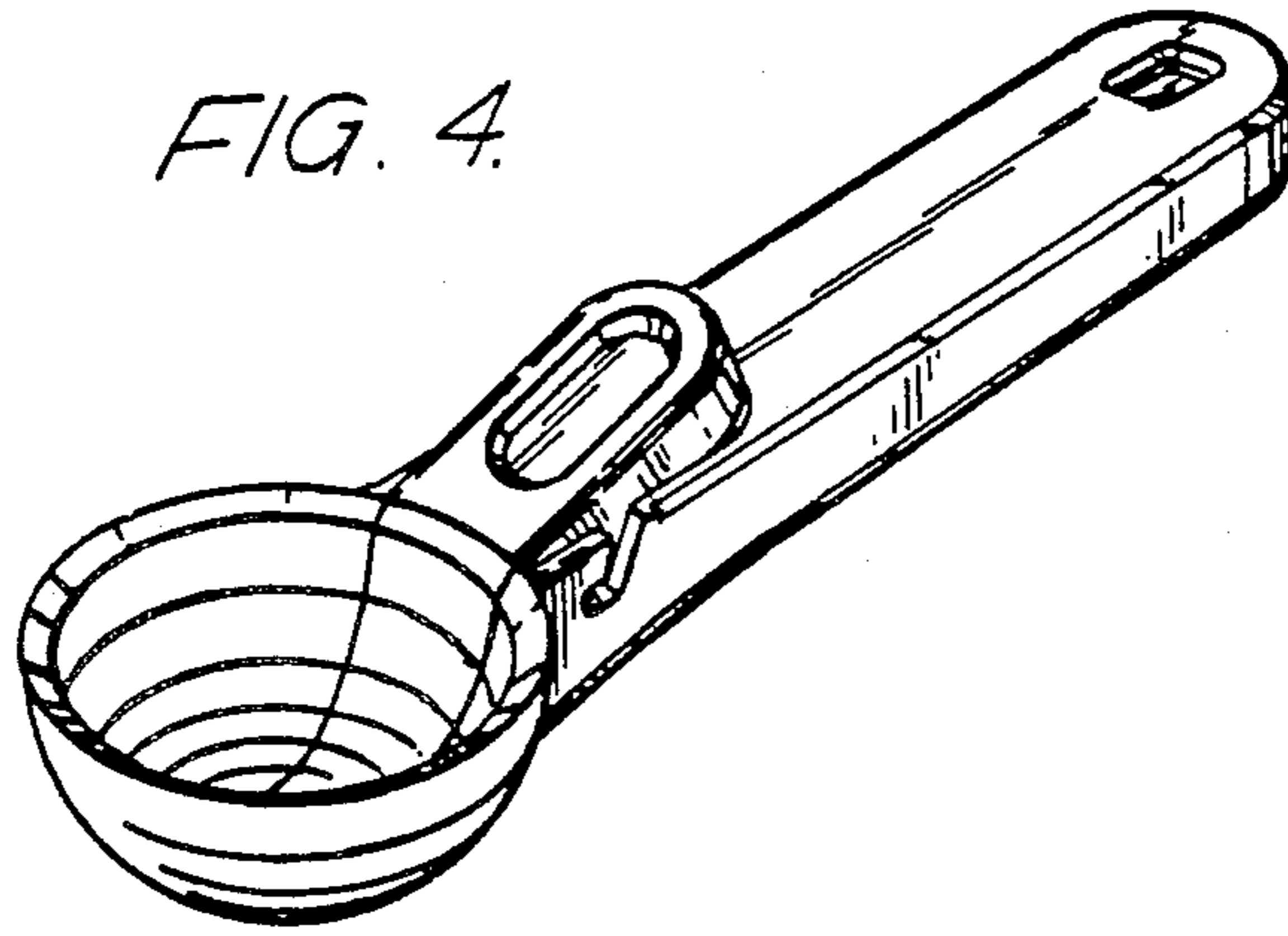


FIG. 5.

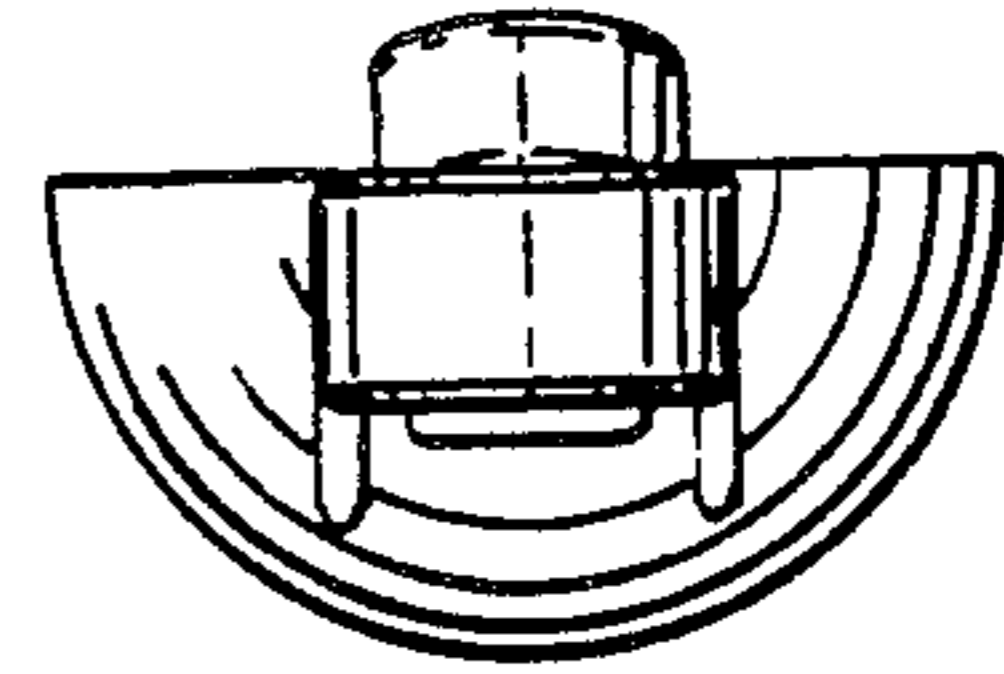


FIG. 1.

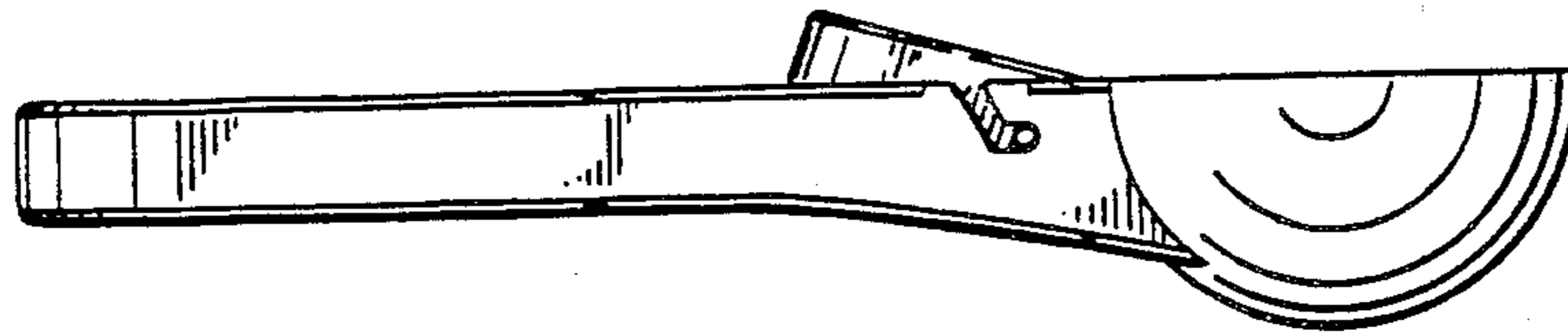


FIG. 2.

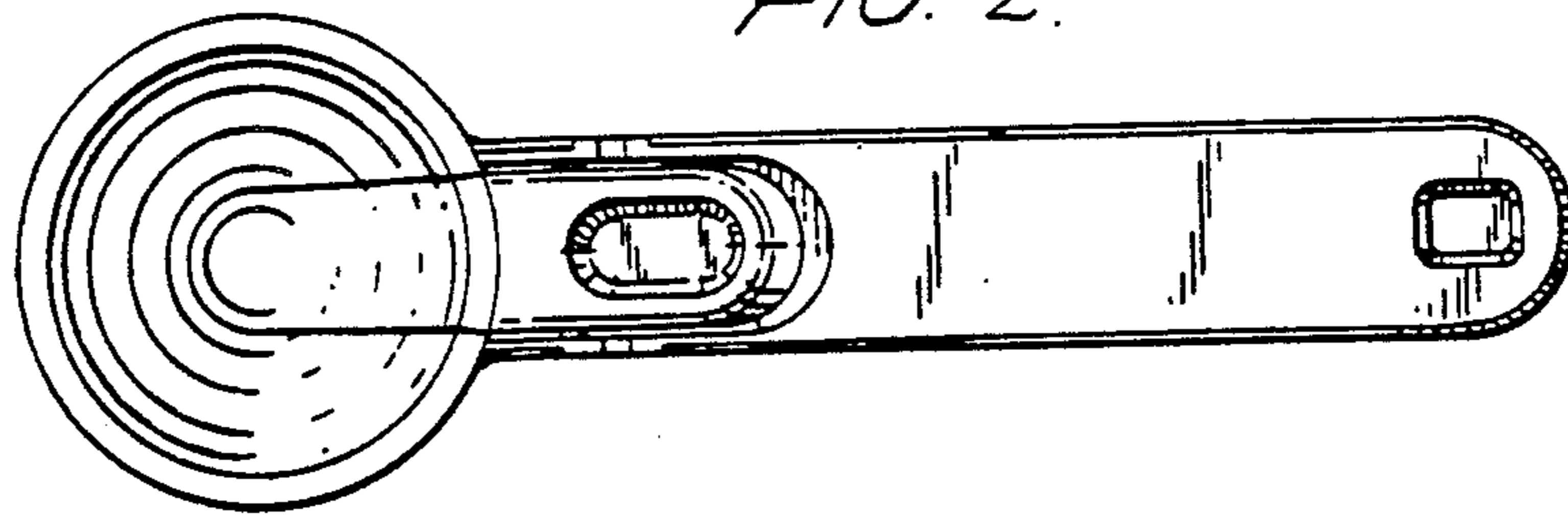


FIG. 3.

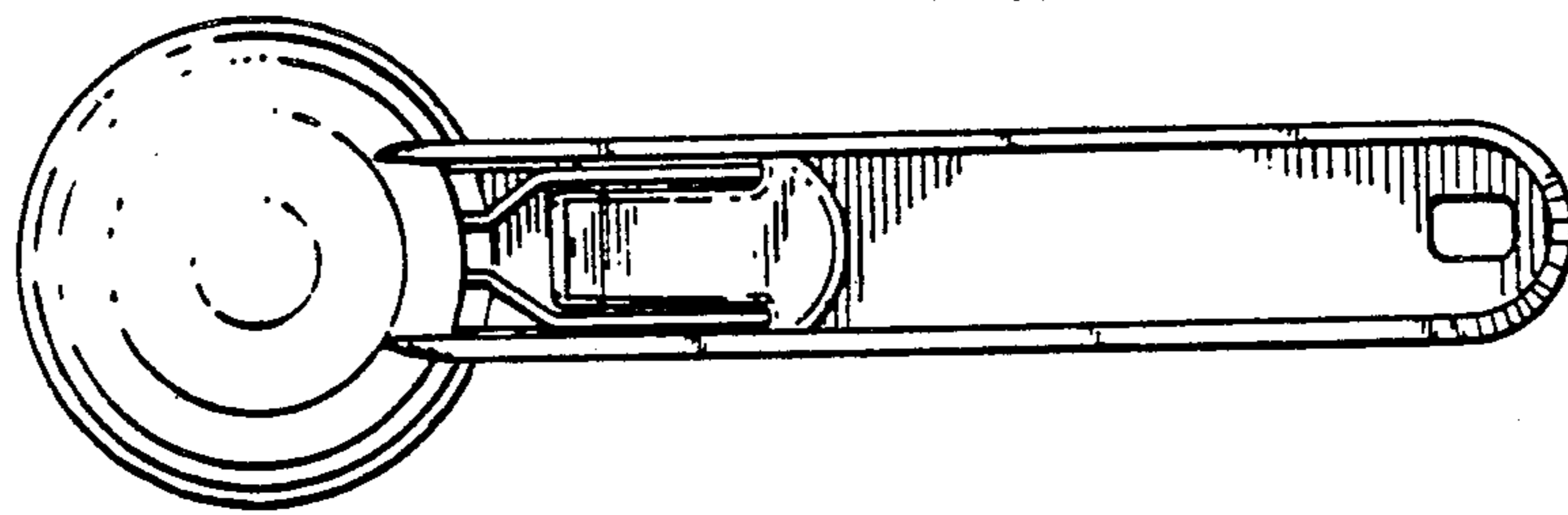


FIG. 6.

