

United States Patent [19]

Murphy

[11] Patent Number: **Des. 294,096**

[45] Date of Patent: **** Feb. 9, 1988**

[54] **WALL-MOUNTED DRAWER AND SHELF COMBINATION**

[75] Inventor: **Kent W. Murphy, Wooster, Ohio**

[73] Assignee: **Rubbermaid Incorporated, Wooster, Ohio**

[**] Term: **14 Years**

[21] Appl. No.: **807,049**

[22] Filed: **Nov. 29, 1985**

[52] U.S. Cl. **D6/560; D6/574**

[58] Field of Search **D6/553, 414, 569, 572, D6/573, 574, 560, 445; 211/88, 90; 108/25, 29, 152**

[56] **References Cited**

U.S. PATENT DOCUMENTS

D. 241,000 8/1976 Urignaud D6/560
D. 266,130 9/1982 Gimmi et al. D6/574
D. 281,748 12/1985 Kiiski D6/445

3,791,528 2/1974 Brendgord 211/88
3,990,582 11/1976 Schindel 211/105.1
3,999,490 12/1976 Rocker et al. 108/27
4,125,078 11/1978 Nyquist 211/90

FOREIGN PATENT DOCUMENTS

1591032 6/1981 United Kingdom 108/25

Primary Examiner—B. J. Bullock

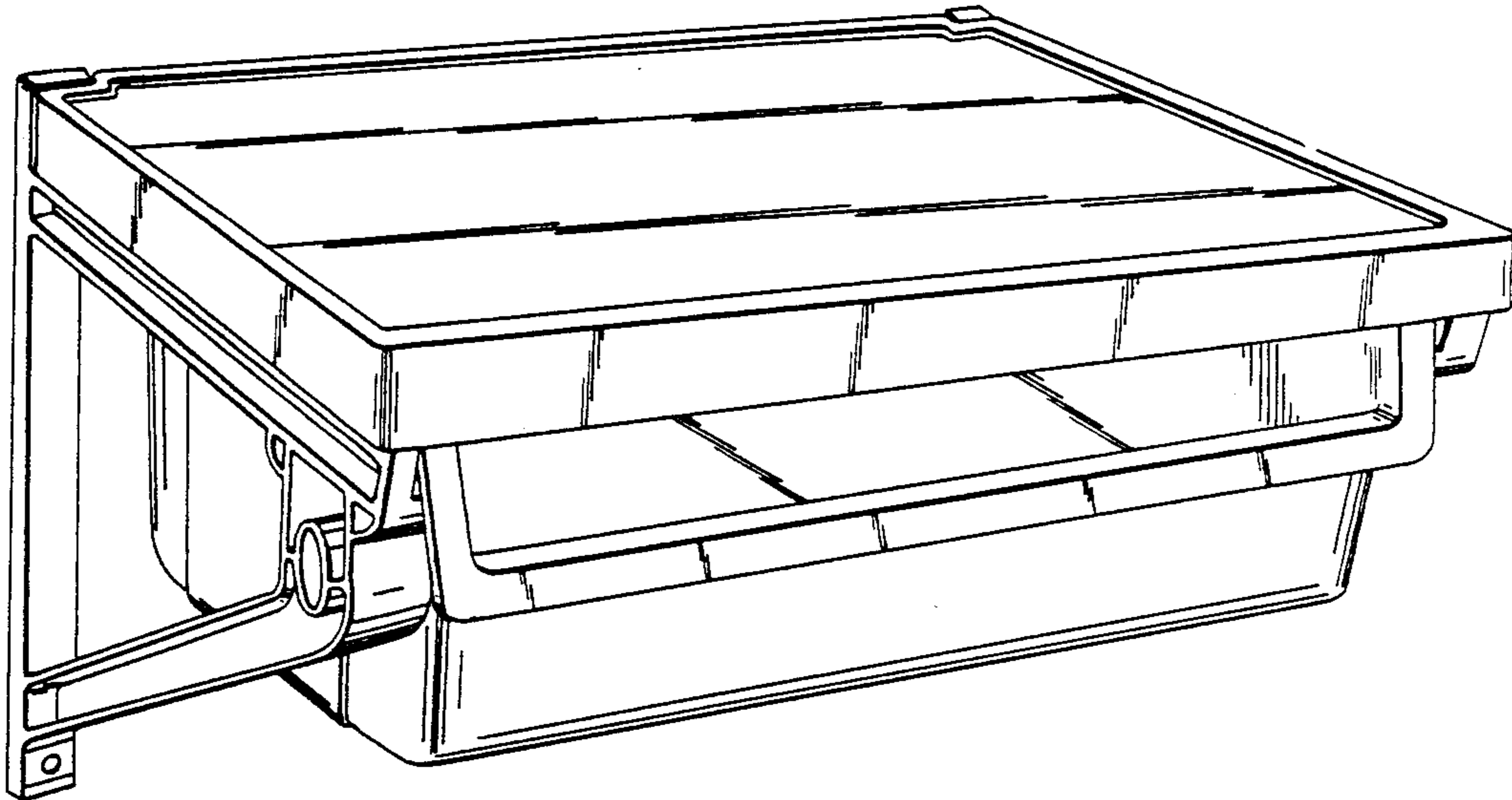
Attorney, Agent, or Firm—Richard B. O'Planick

[57] **CLAIM**

The ornamental design for a wall-mounted drawer and shelf combination, as shown and described.

DESCRIPTION

FIG. 1 is a perspective view of a wall mounted drawer and shelf combination embodying my new design; FIG. 2 is an enlarged left side elevational view thereof, the side opposite being a mirror image; FIG. 3 is an enlarged front elevational view thereof; FIG. 4 is an enlarged top plan view thereof; FIG. 5 is an enlarged bottom plan view thereof.



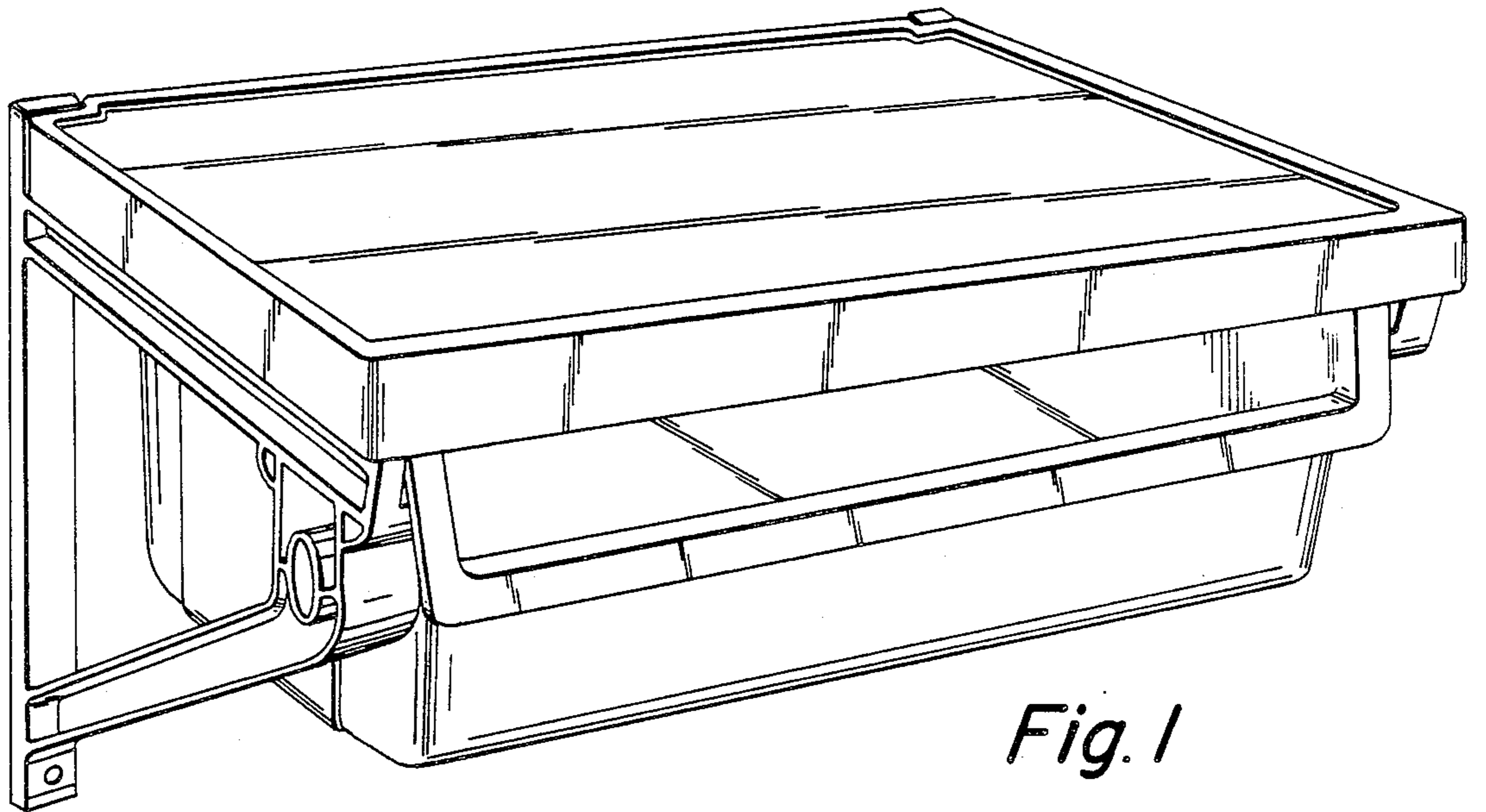


Fig. 1

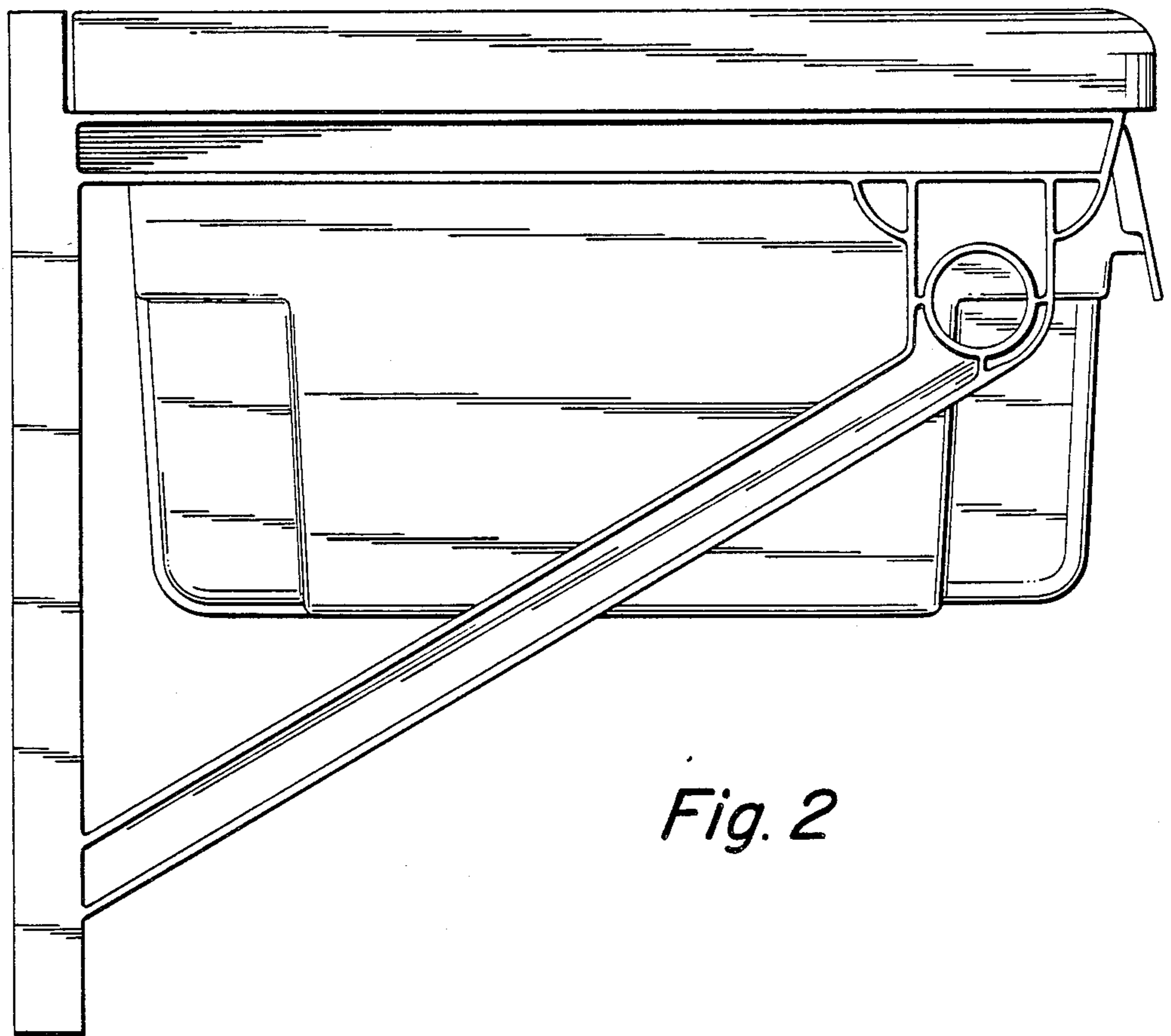


Fig. 2

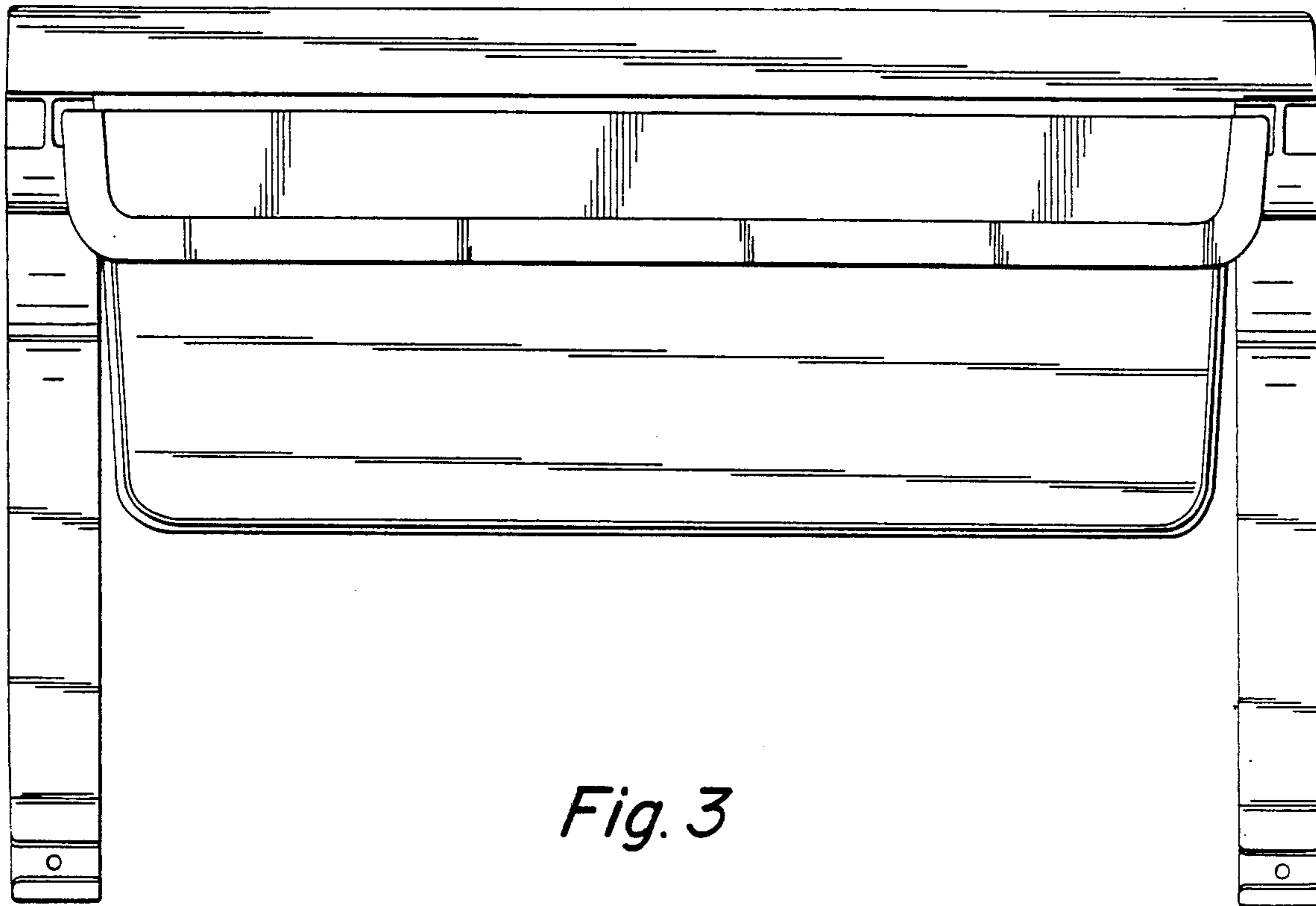


Fig. 3

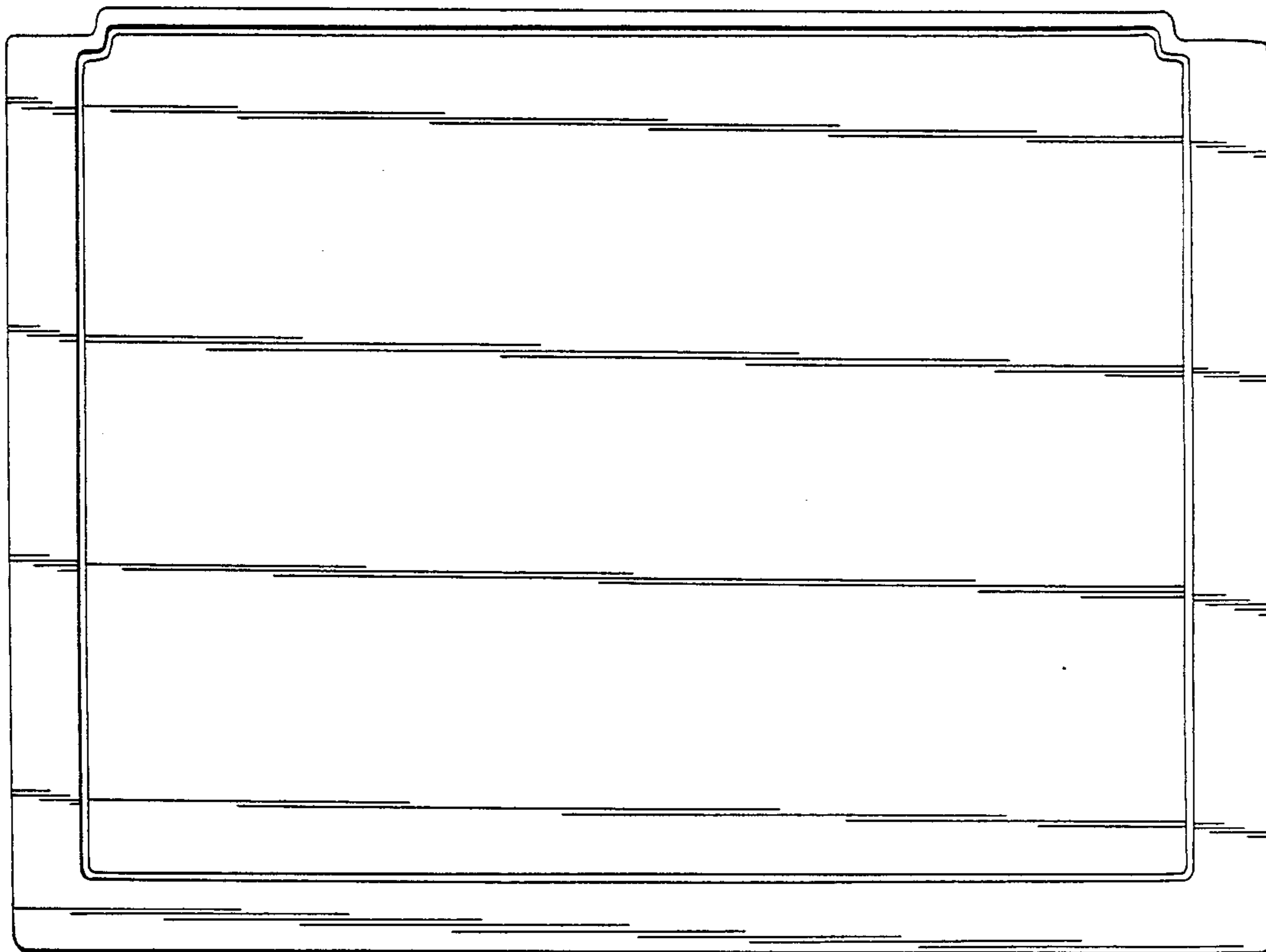


Fig. 4

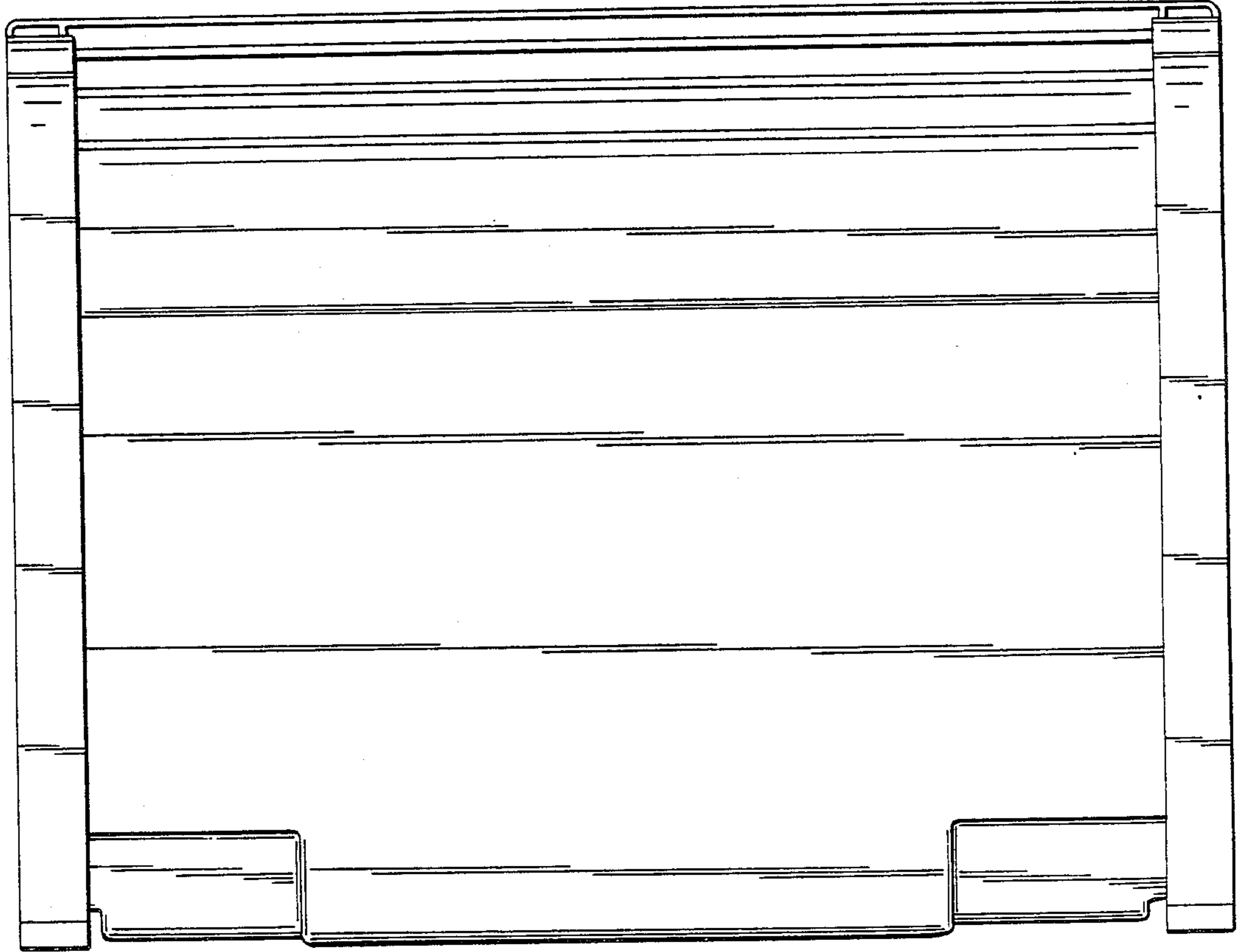


Fig. 5