

[54] SOAP DISH

[75] Inventor: Raymond U. H. Tegner, Lodi, Wis.

[73] Assignee: Amerock Corporation, Rockford, Ill.

[**] Term: 14 Years

[21] Appl. No.: 792,154

[22] Filed: Oct. 28, 1985

[52] U.S. Cl. D6/540

[58] Field of Search D6/532, 534, 536, 540;
206/77.1; 248/309.1, 359 R, 359 A, 359.1, 360;
211/13, 87, 88

[56] References Cited

U.S. PATENT DOCUMENTS

- | | | | | |
|------------|--------|----------|-------|--------|
| D. 154,903 | 8/1949 | Caldwell | | D6/536 |
| D. 224,028 | 6/1972 | Settle | | D6/536 |
| D. 225,947 | 1/1973 | Tegner | . | |
| D. 231,056 | 4/1974 | Tegner | . | |

D. 277,146 1/1985 Boroch D6/540

Primary Examiner—B. J. Bullock
Attorney, Agent, or Firm—Leydig, Voit & Mayer

[57] CLAIM

The ornamental design for a soap dish, as shown and described.

DESCRIPTION

FIG. 1 is a top view of a soap dish, showing my new design.

FIG. 2 is a front view as seen from the bottom of FIG. 1.

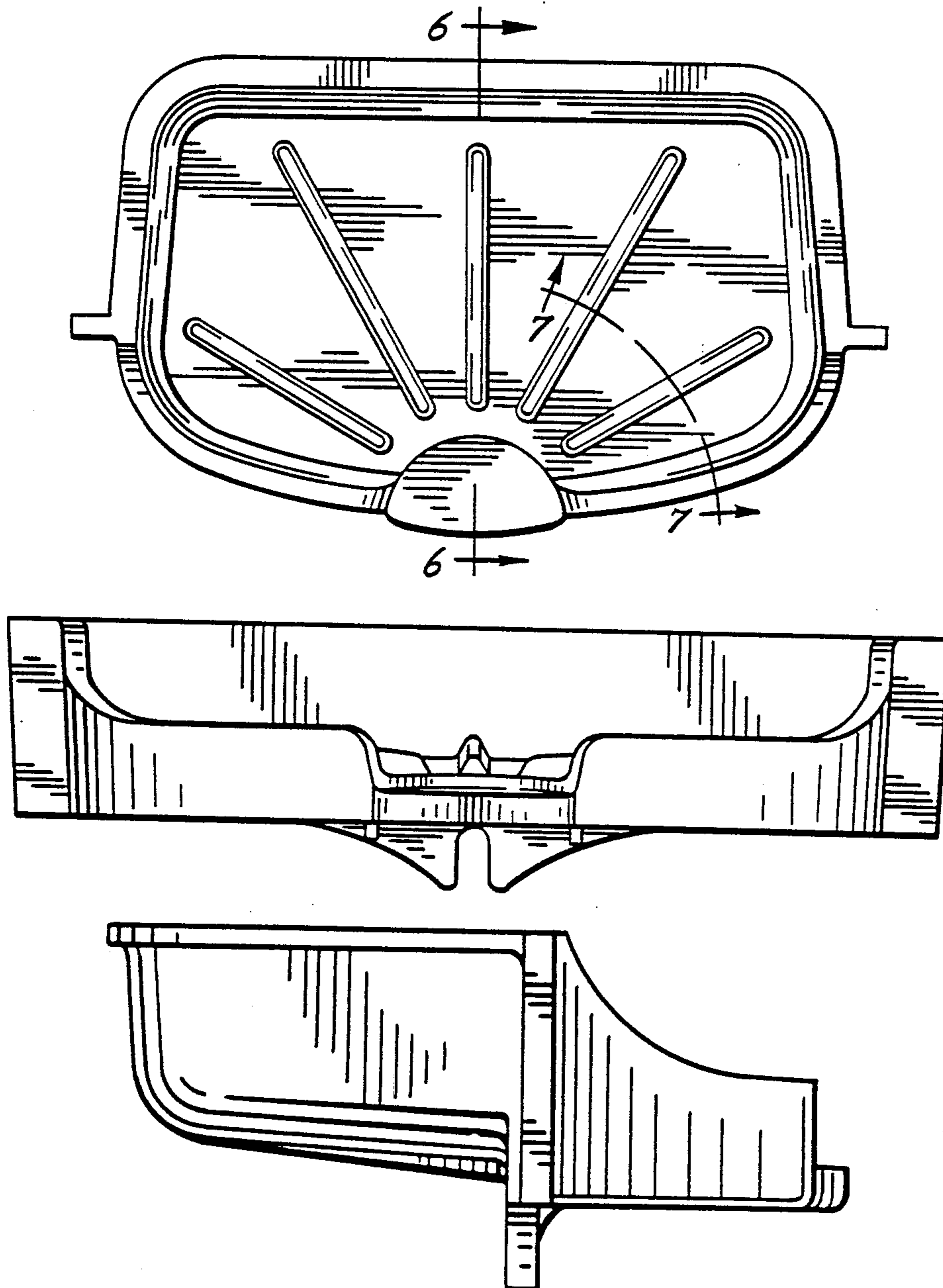
FIG. 3 is a rear view.

FIG. 4 is a bottom view.

FIG. 5 is a side view as seen from the left of FIG. 1.

FIG. 6 is a sectional view taken in the direction of the arrows on line 6—6 of FIG. 1.

FIG. 7 is a fragmentary sectional view taken along the line 7—7 of FIG. 1.



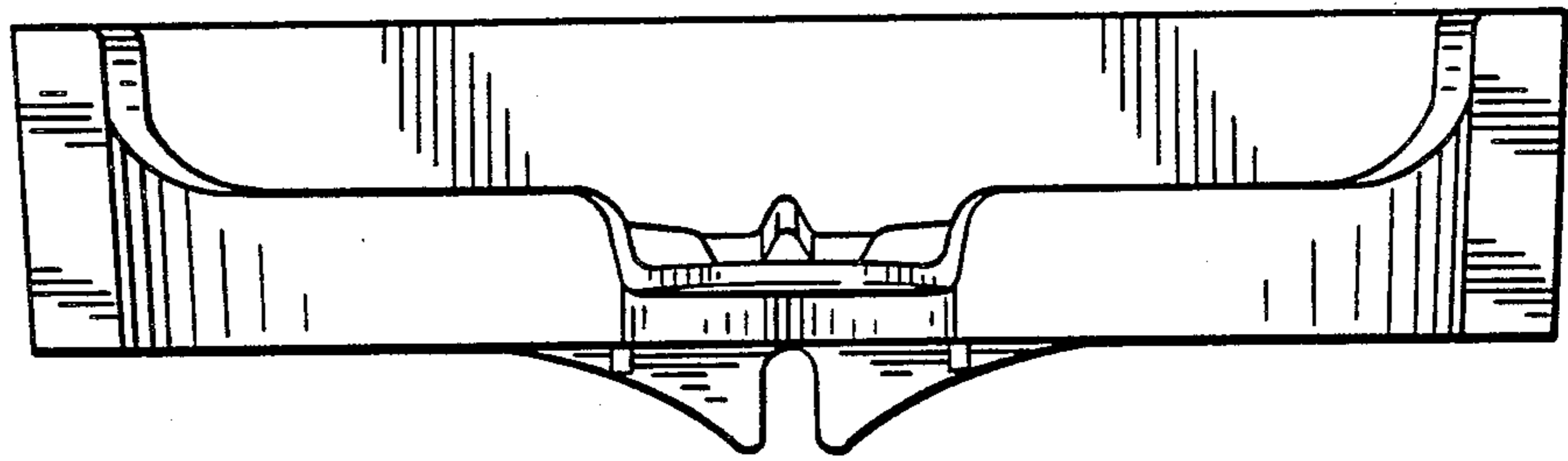
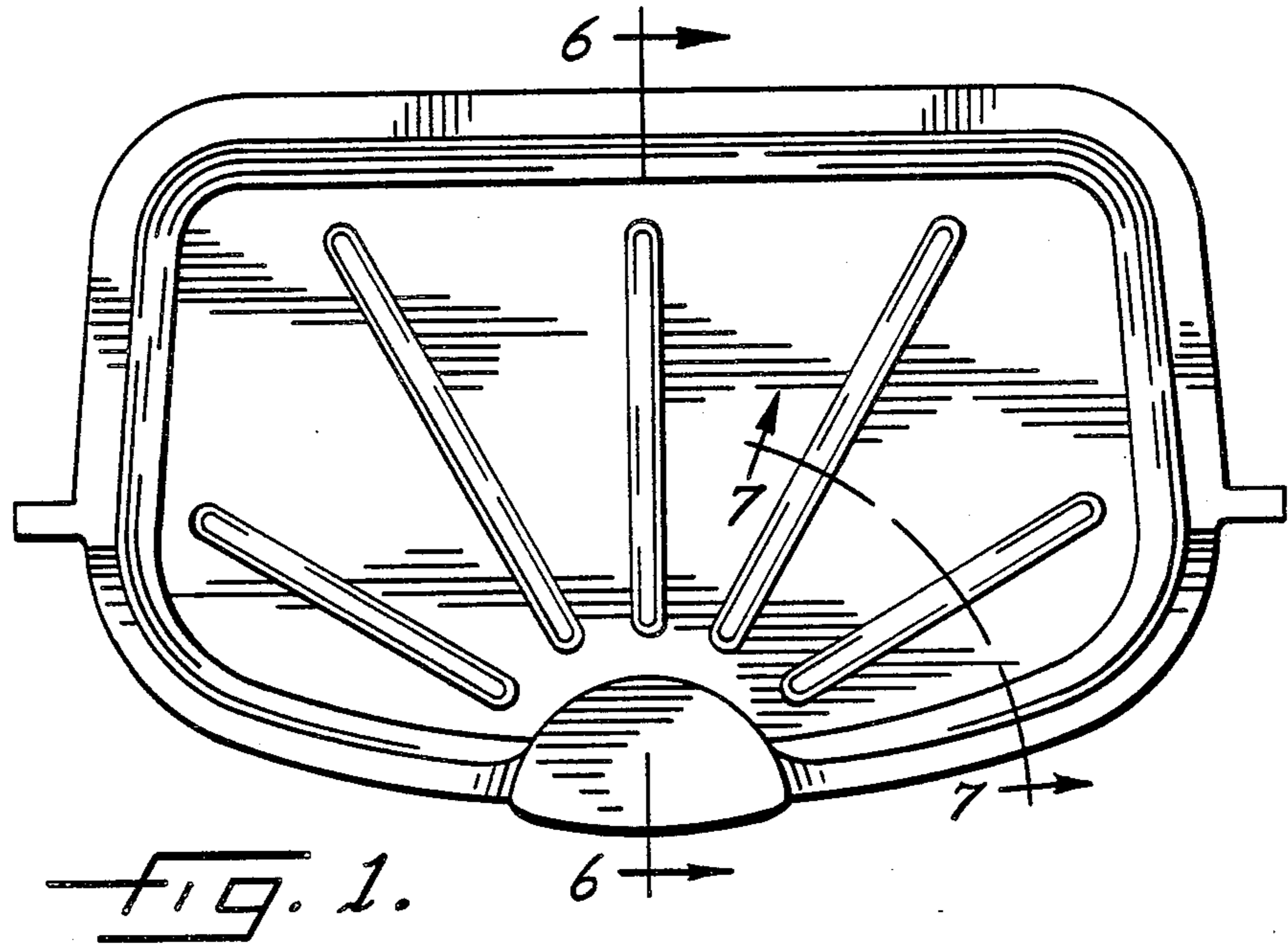


FIG. 2.

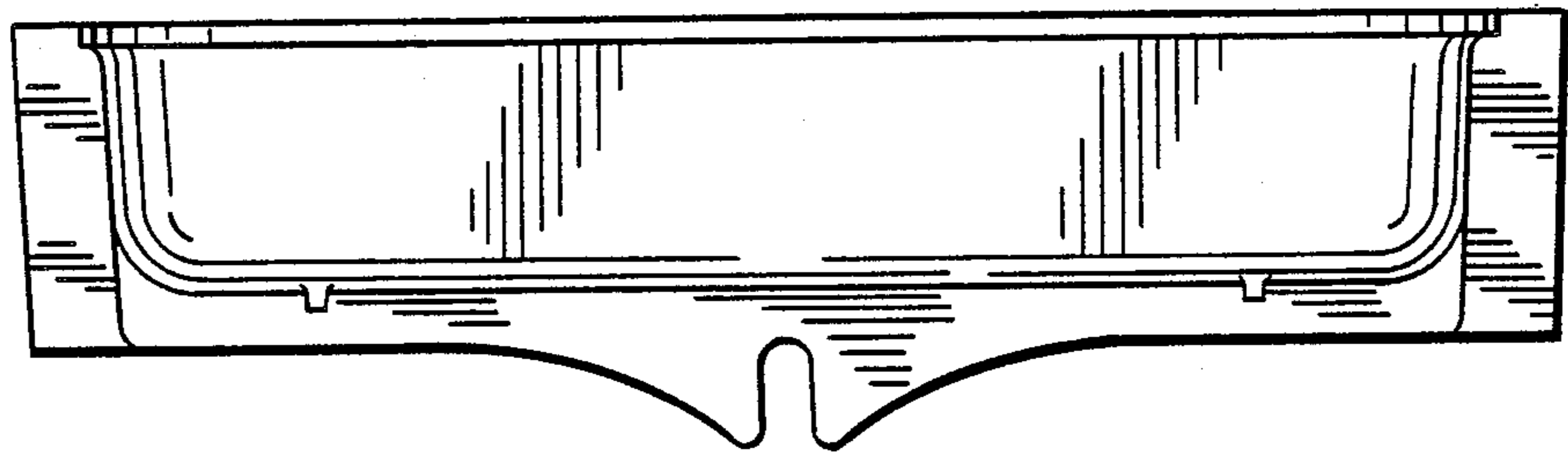
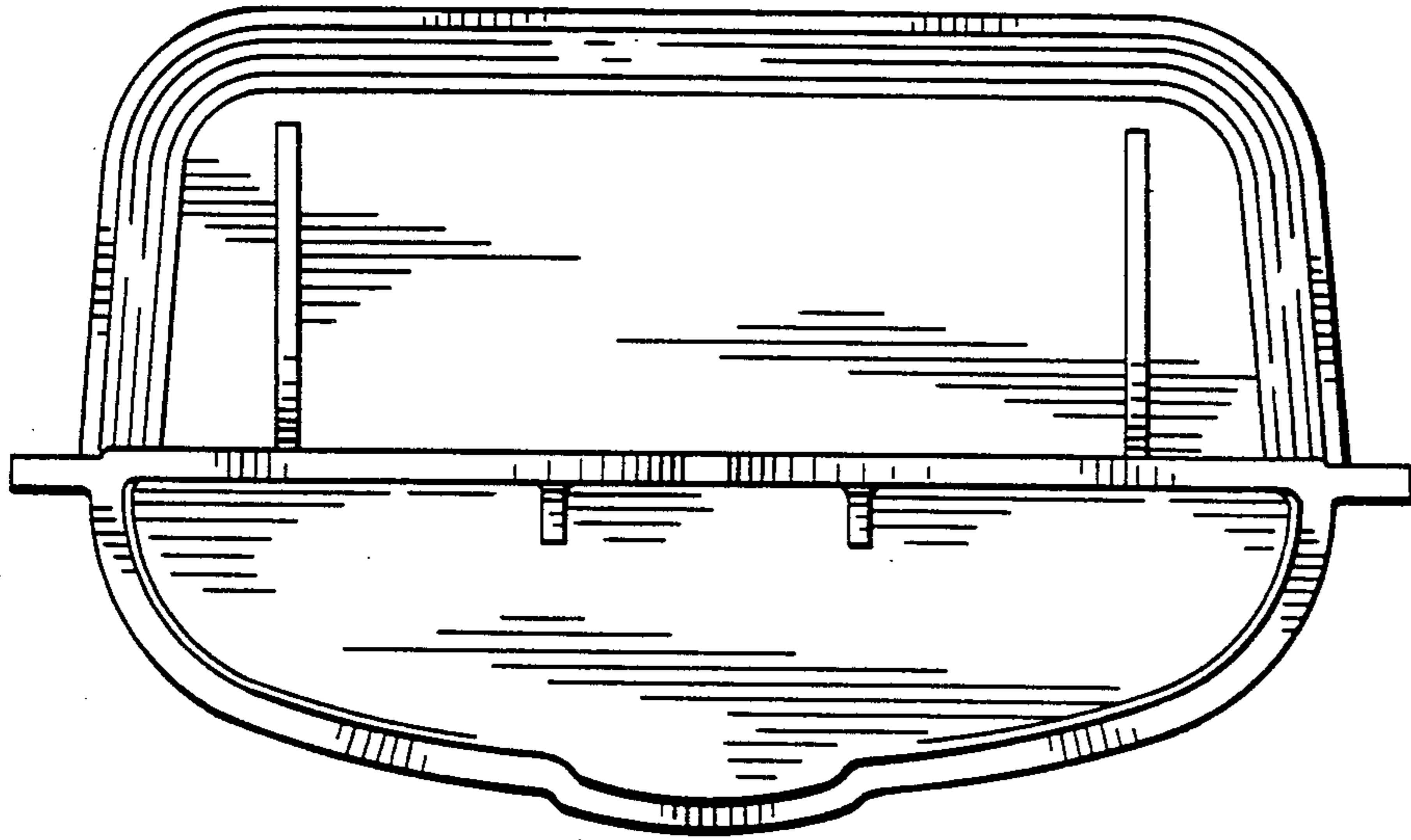
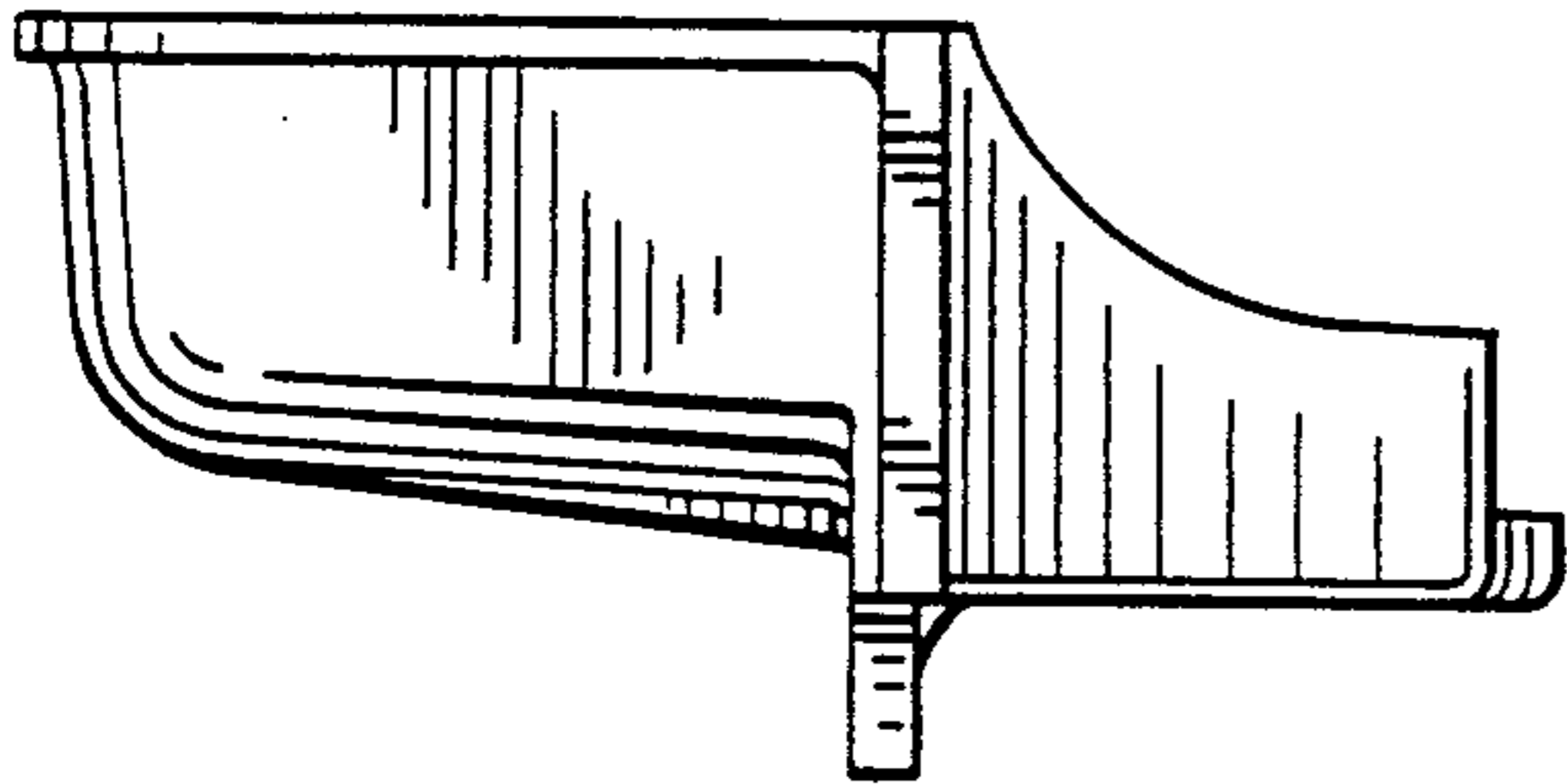


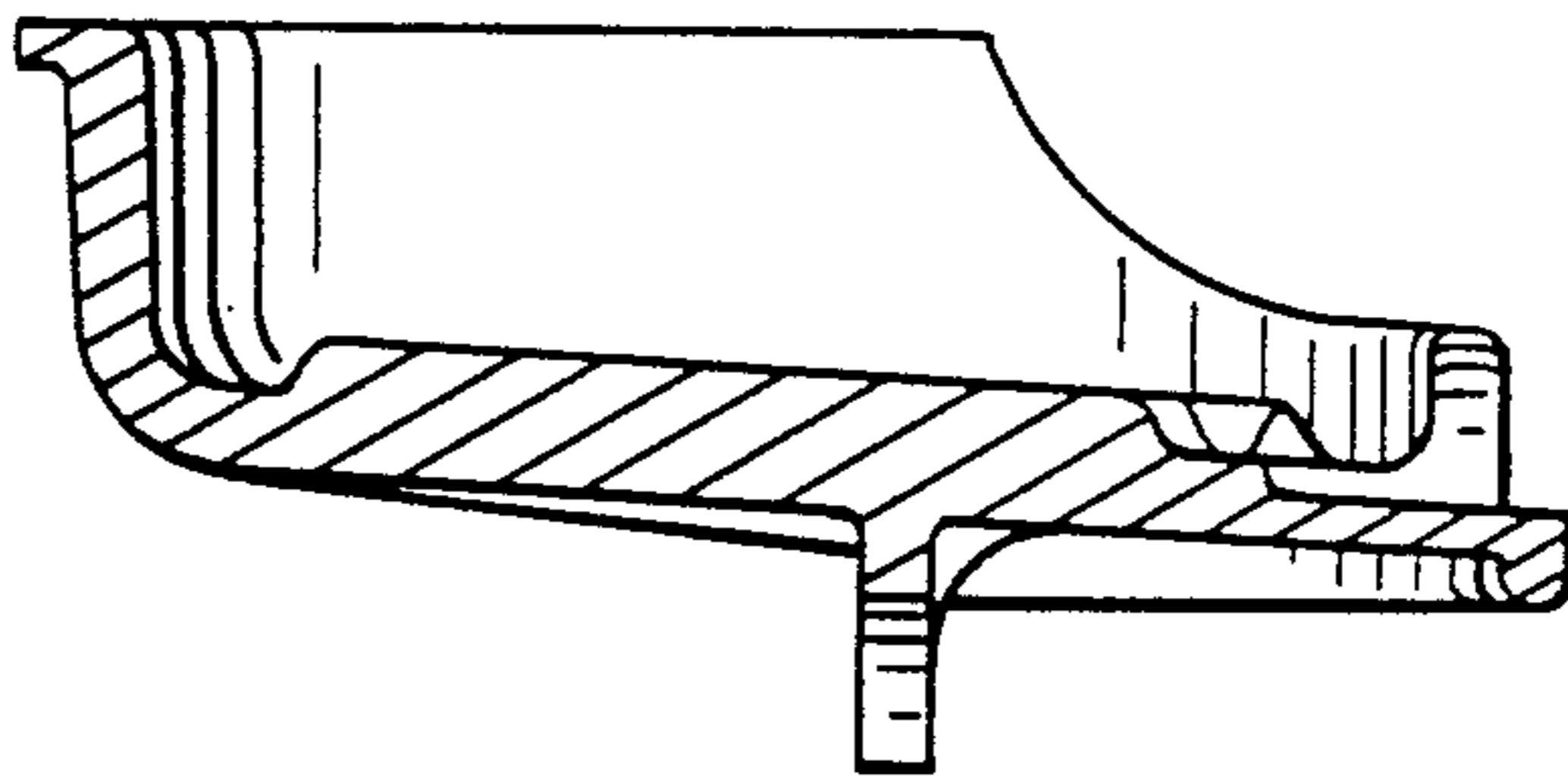
FIG. 3.



—FIG. 4.



—FIG. 5.



—FIG. 6.



—FIG. 7.