

[54] SOAP DISH INSERT

[75] Inventor: Raymond U. H. Tegner, Lodi, Wis.

[73] Assignee: Amerock Corporation, Rockford, Ill.

[**] Term: 14 Years

[21] Appl. No.: 792,011

[22] Filed: Oct. 28, 1985

[52] U.S. Cl. D6/540; D6/536

[58] Field of Search D6/532, 534, 536, 540;
206/77.1; 248/309.1, 359 R, 359 A, 359.1, 360;
211/13, 87, 88

[56] **References Cited**

U.S. PATENT DOCUMENTS

- D. 150,750 8/1948 Bozoti D6/536
D. 225,947 1/1973 Tegner .
D. 231,056 4/1974 Tegner .

- D. 237,044 10/1975 Mori D8/353
D. 241,199 8/1976 Halsted et al. D6/540
D. 261,202 10/1981 Shames et al. D6/536

Primary Examiner—B. J. Bullock
Attorney, Agent, or Firm—Leydig, Voit & Mayer

[57] **CLAIM**

The ornamental design for a soap dish insert, as shown and described.

DESCRIPTION

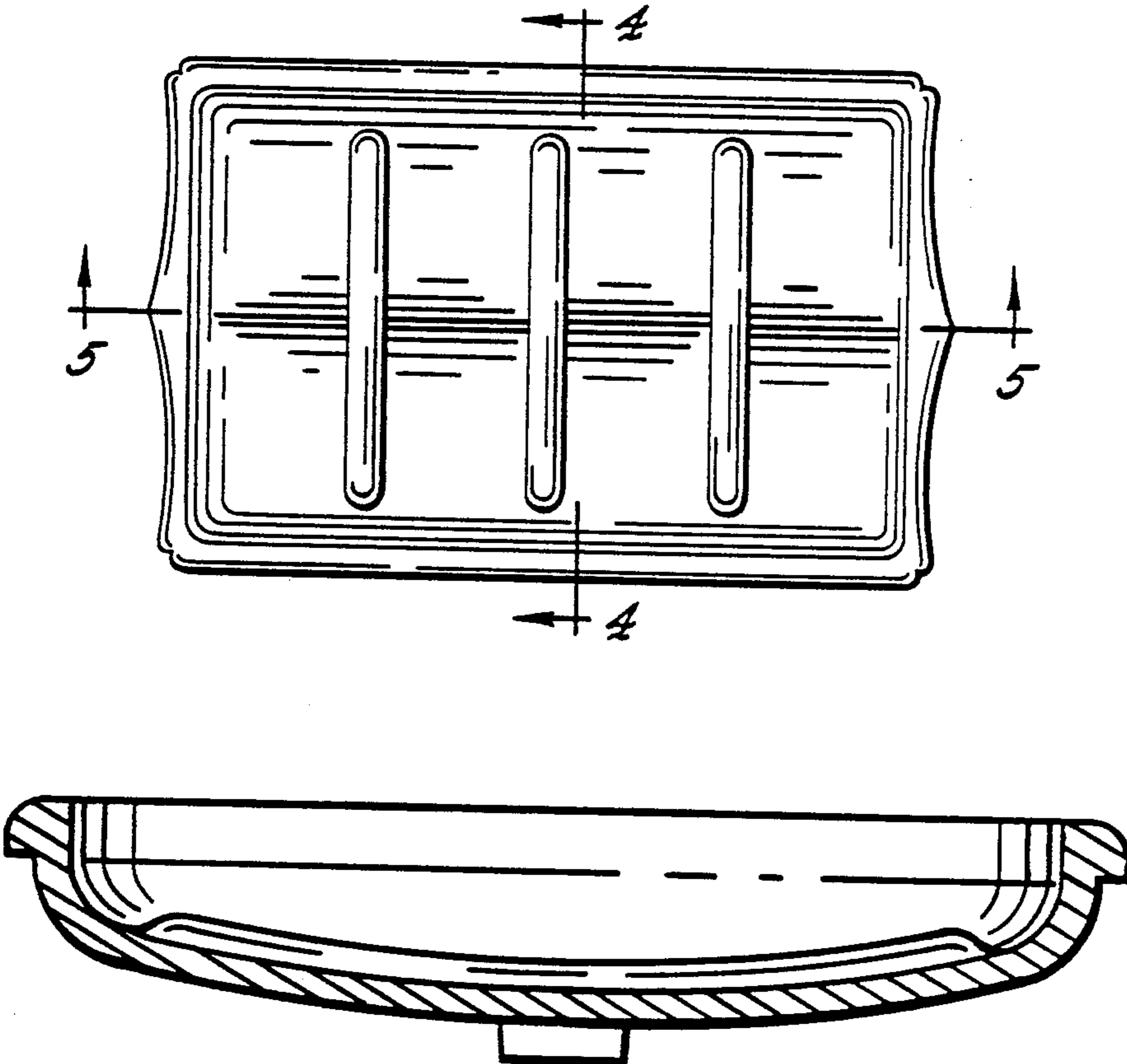
FIG. 1 is a top view of a soap dish insert, showing my new design.

FIG. 2 is a front view as seen from the bottom of FIG. 1.

FIG. 3 is a side view as seen from the right of FIG. 1.

FIG. 4 is an enlarged sectional view taken in the direction of arrows on line 4—4 of FIG. 1;

FIG. 5 is an enlarged sectional view taken in the direction of the arrows on line 5—5 of FIG. 1.



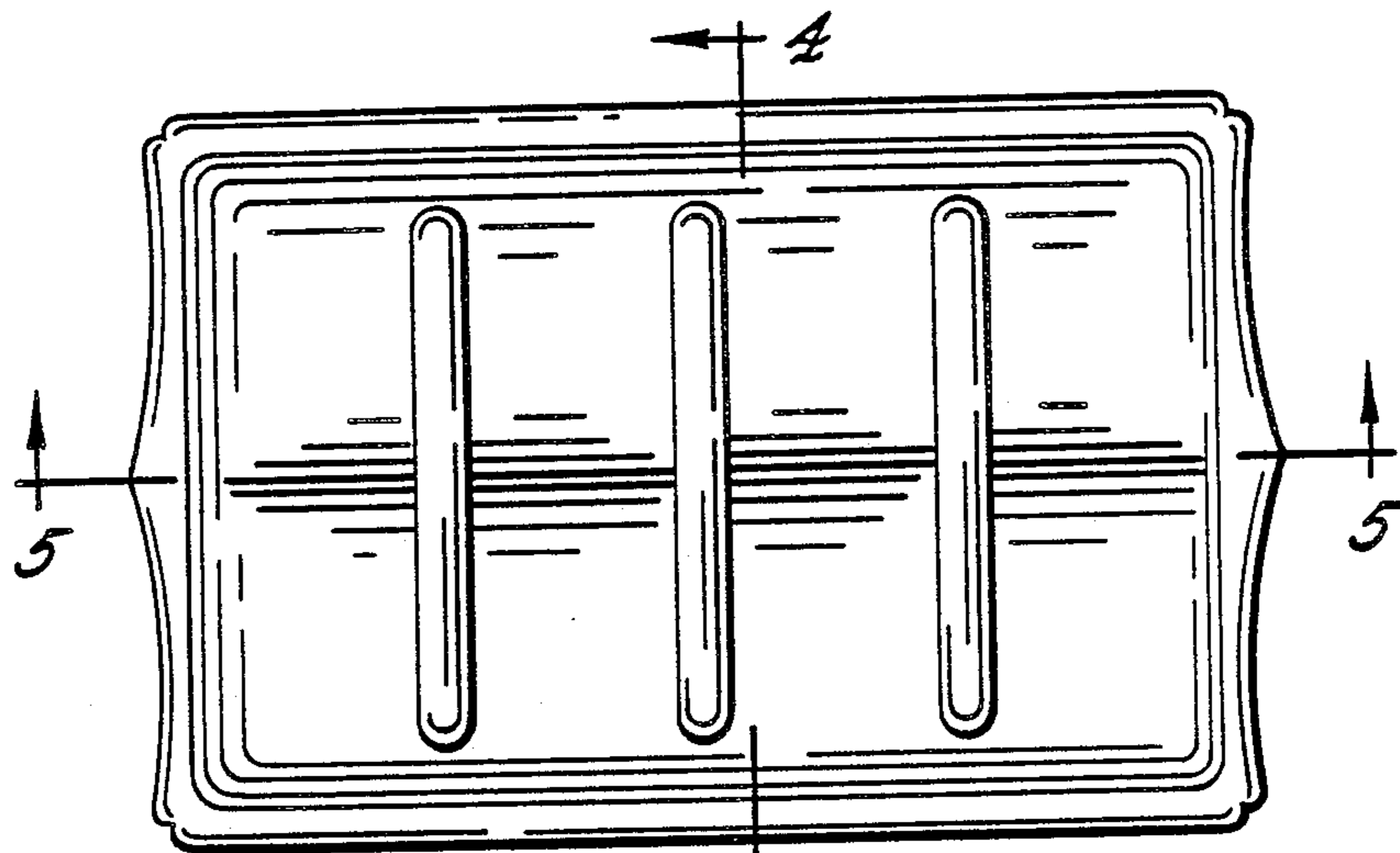


FIG. 1.

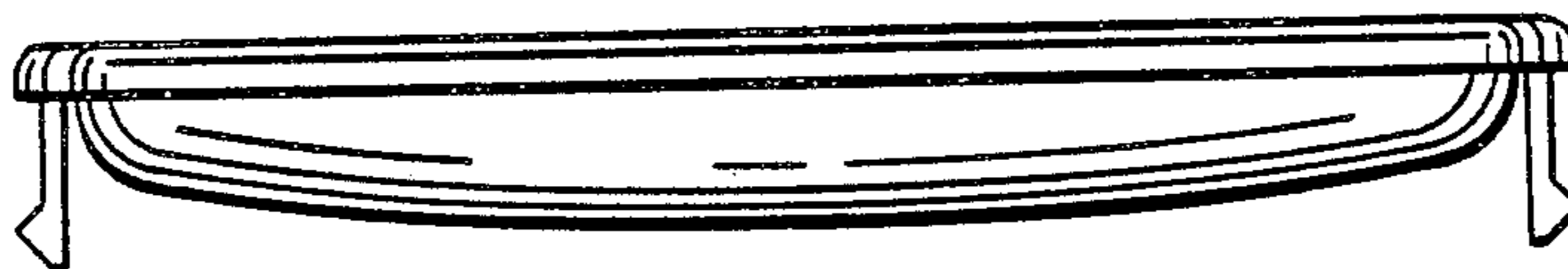


FIG. 2.



FIG. 3.

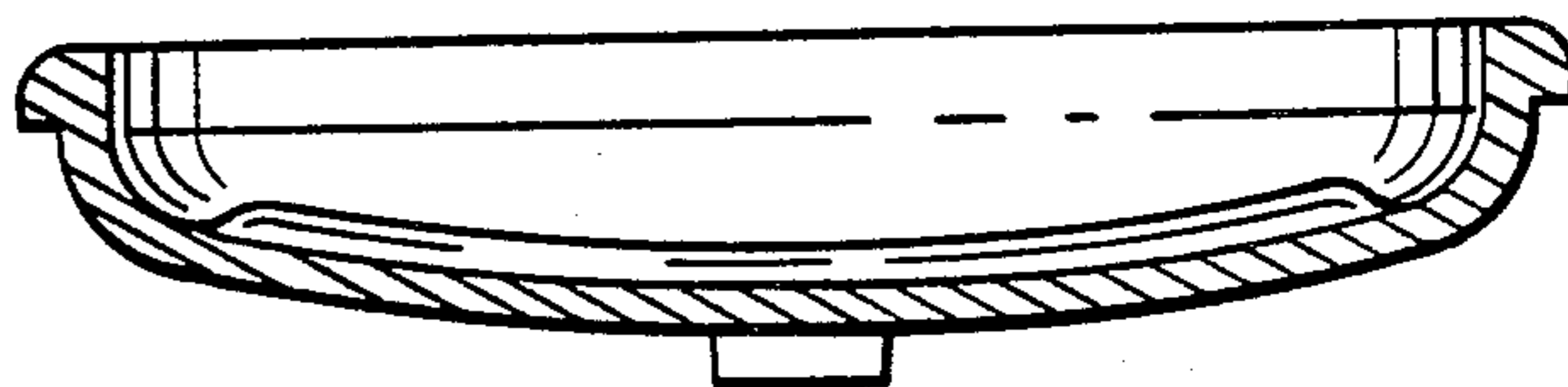


FIG. 4.

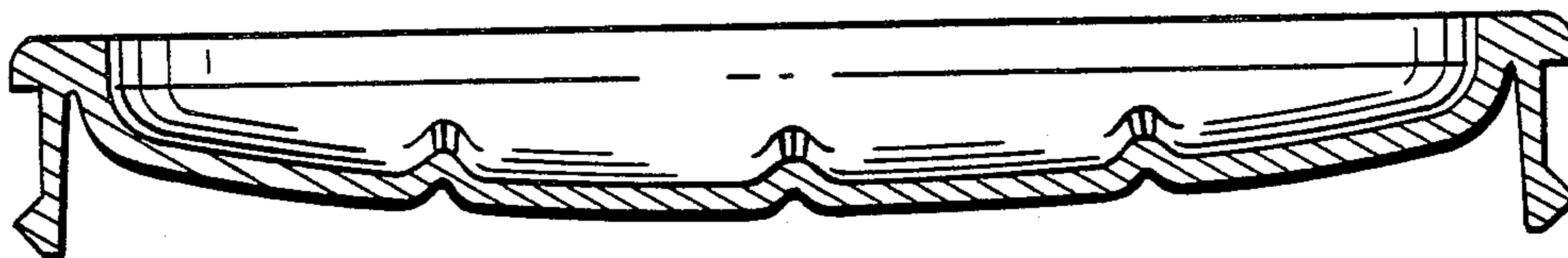


FIG. 5.