

[54] RECORD ALBUM HANGER

3,481,656 12/1969 Landers 206/309
4,578,886 4/1986 Lofredo 40/152

[76] Inventor: Raymond A. Lofredo, 3626 Fairmont Ave., San Diego, Calif. 92105

Primary Examiner—B. J. Bullock
Attorney, Agent, or Firm—Charles C. Logan, II

[**] Term: 14 Years

[57] CLAIM

[21] Appl. No.: 785,239

The ornamental design for a record album hanger, substantially as shown.

[22] Filed: Oct. 7, 1985

[52] U.S. Cl. D6/300

[58] Field of Search D6/553, 567, 573, 300, D6/301; 211/13, 40, 86, 87, 88, 89; 40/124.2, 152

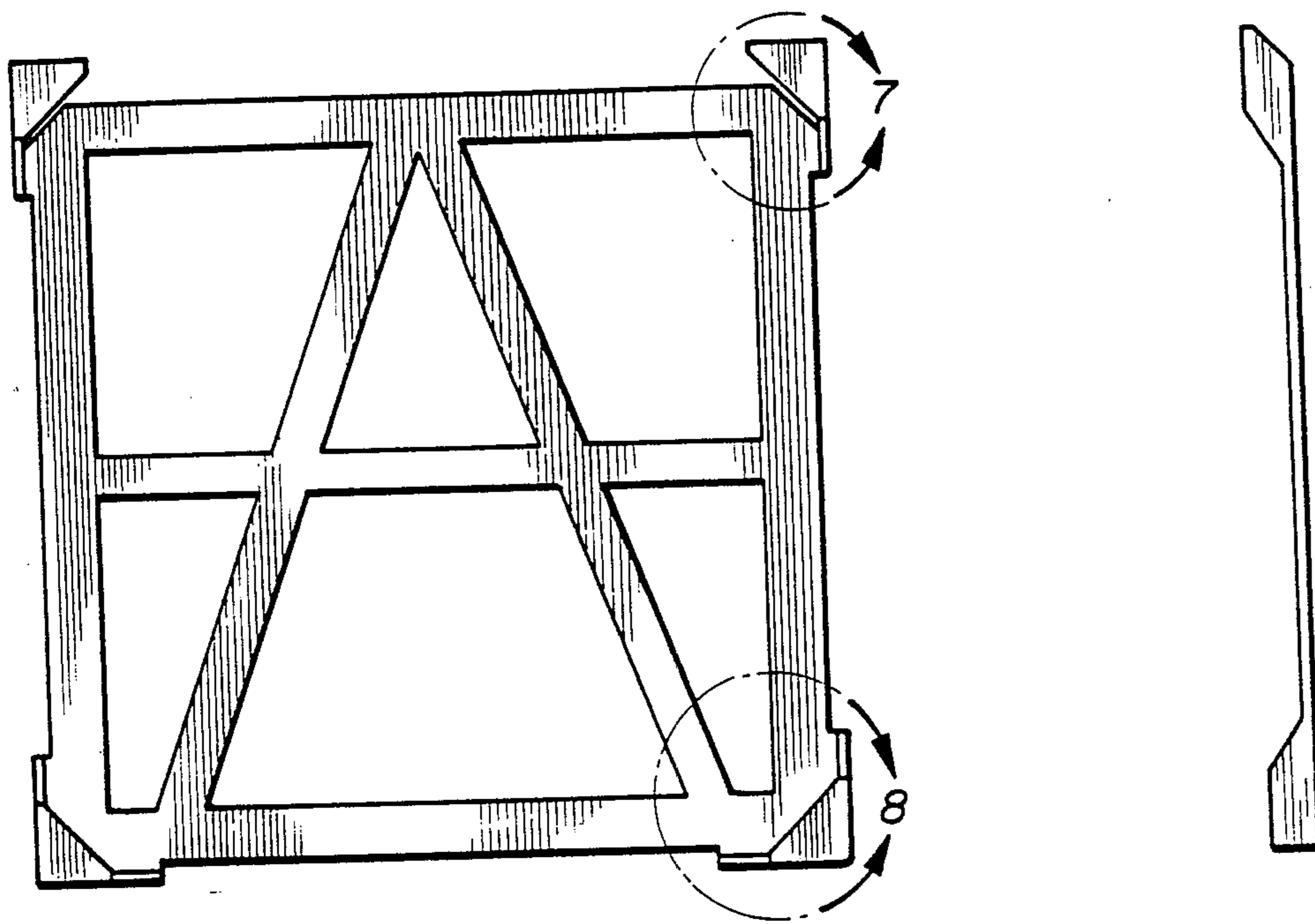
DESCRIPTION

FIG. 1 is a front elevational view of a record album hanger showing my new design;
FIG. 2 is a top plan view thereof;
FIG. 3 is a right side elevational view thereof;
FIG. 4 is a left side elevational view thereof;
FIG. 5 is a rear elevational view thereof;
FIG. 6 is a bottom plan view thereof;
FIG. 7 is an enlarged fragmentary perspective view taken along circular line 7 of FIG. 1;
FIG. 8 is an enlarged fragmentary perspective view taken along circular line 8 of FIG. 1.

[56] References Cited

U.S. PATENT DOCUMENTS

D. 227,408	6/1973	Hotchkiss	D6/300
D. 244,158	5/1975	Averill	D6/300
1,421,391	7/1922	Bower	211/40
3,017,999	1/1962	Cano	211/40



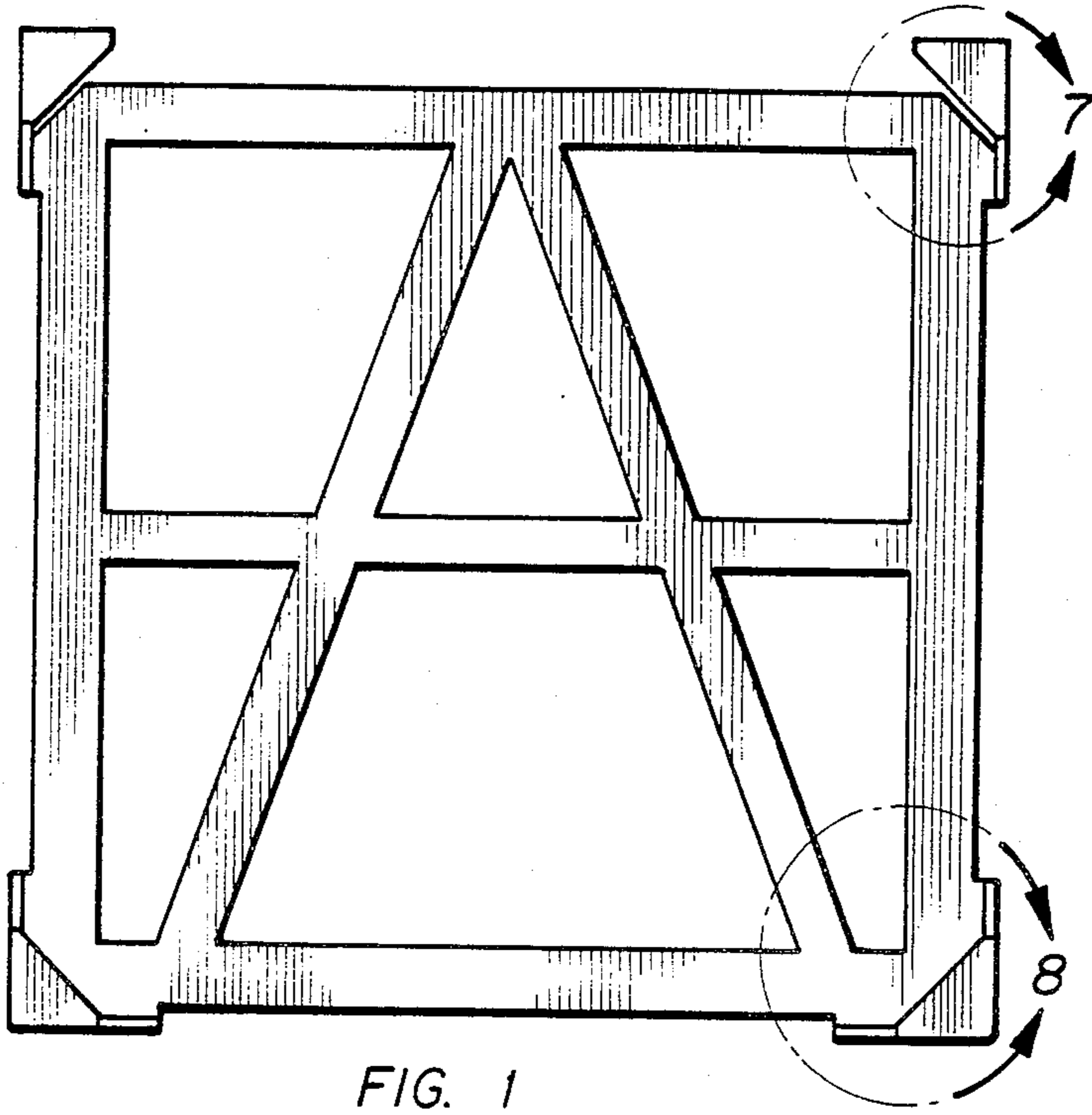


FIG. 1



FIG. 3



FIG. 4



FIG. 2

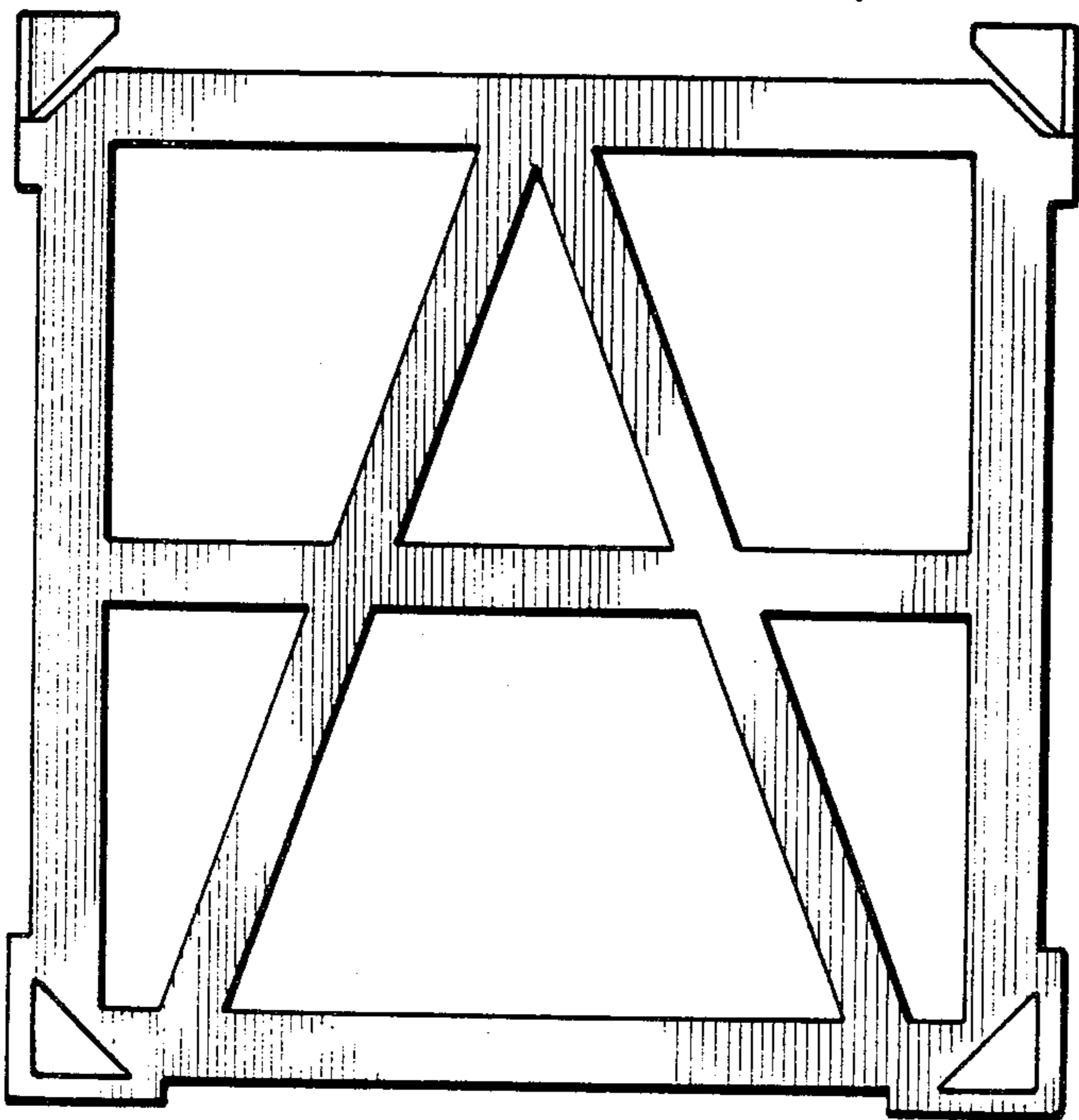


FIG. 5



FIG. 6

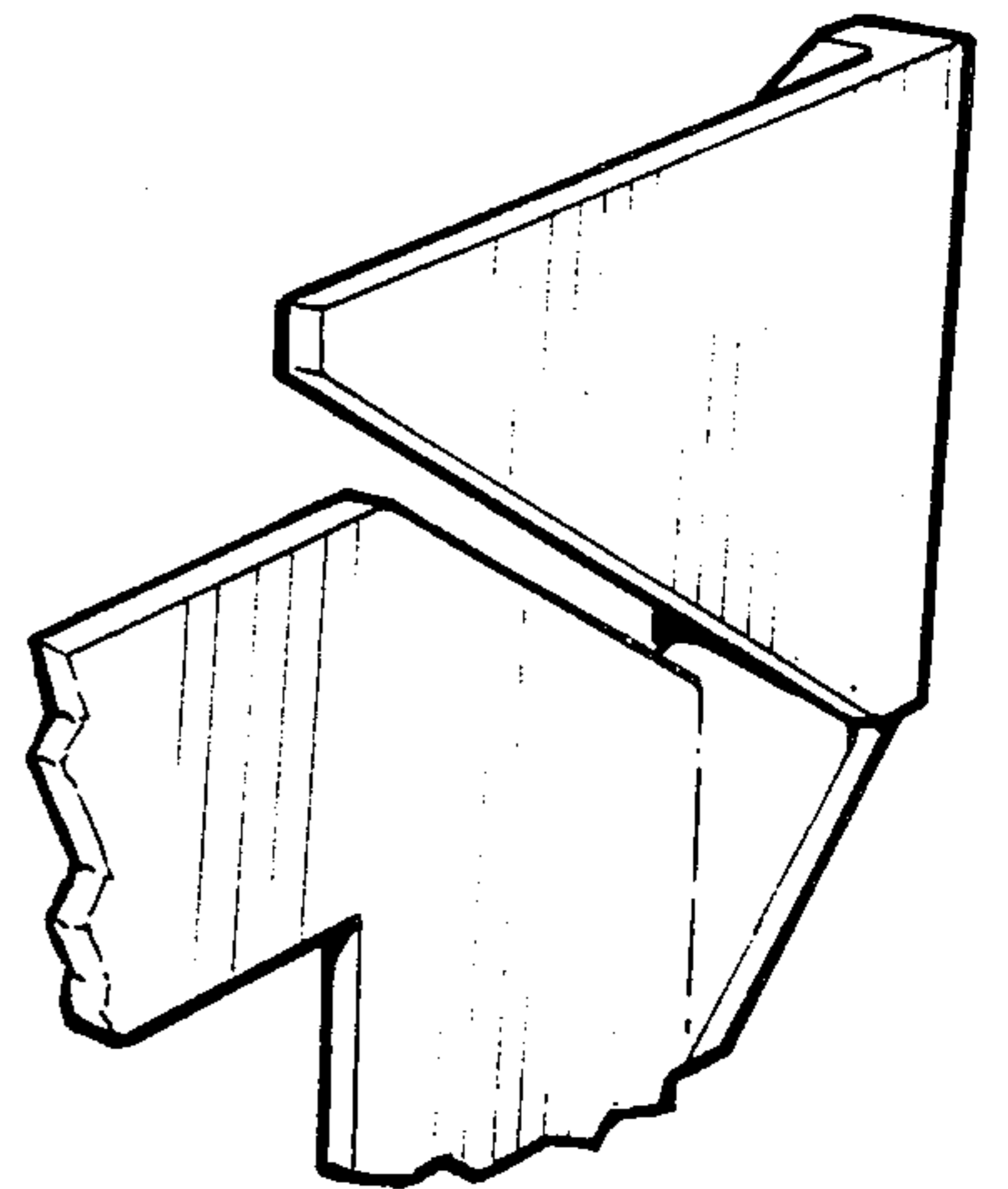


FIG. 7

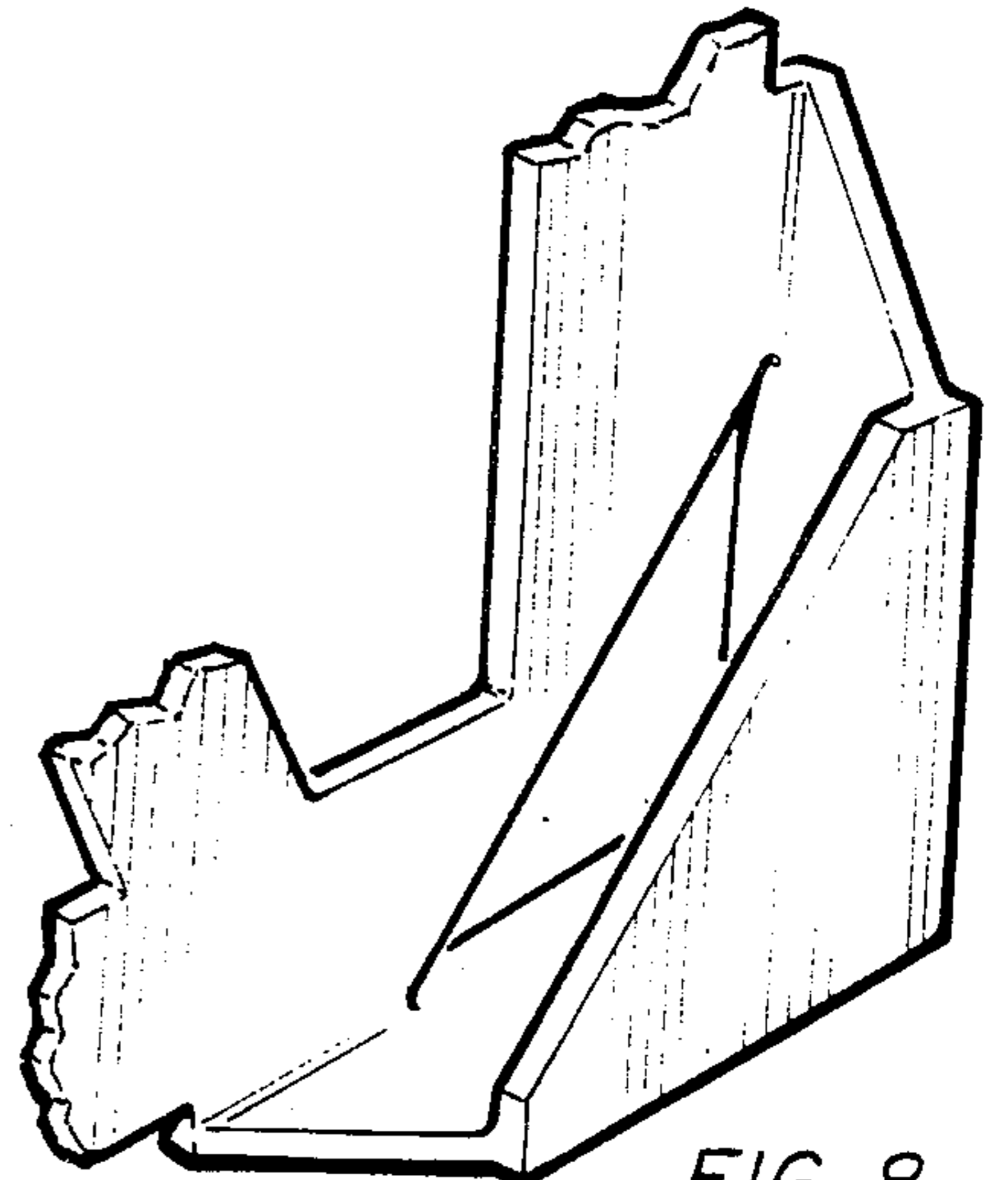


FIG. 8