

[54] TWO-PIECE TRANSPORT CASE FOR PORTABLE EMBROIDERY MACHINERY

[76] Inventors: Kenneth R. Golia, 1776 Hartford Turnpike, North Haven, Conn. 06473; Dominick Golia, Jr., 785 Townsend, New Haven, Conn. 06512

[**] Term: 14 Years

[21] Appl. No.: 638,284

[22] Filed: Aug. 6, 1984

[52] U.S. Cl. D3/30.1; D15/66; D34/19

[58] Field of Search D3/30.1, 18, 36, 73, D3/76; 206/521, 588; D15/66, 68, 71; 112/121.12, 102, 103; D34/19

[56] References Cited

U.S. PATENT DOCUMENTS

- D. 229,663 12/1973 Morita D34/19
- D. 249,947 10/1978 Gegauf D15/68
- 2,546,166 3/1951 Pfefferkorn D3/30.1
- 4,280,420 7/1981 Nishida D15/66

OTHER PUBLICATIONS

Publication, Toyota Company.
Publication, William BAL Corporation.

Primary Examiner—George P. Word
Attorney, Agent, or Firm—Robert M. Isackson

[57] CLAIM

The ornamental design for a two-piece transport case for portable embroidery machinery, substantially as shown and described.

DESCRIPTION

FIG. 1 is a front perspective view of a two-piece transport case for embroidery machinery showing our new design;

FIG. 2 is a side elevational view of the case as seen from the left of FIG. 1;

FIG. 3 is a side elevational view as seen from the rear of FIG. 1;

FIG. 4 is a top plan view of the case of FIG. 1;

FIG. 5 is a bottom plan view of the case of FIG. 1;

FIG. 6 is a front perspective view of the left piece of the two-piece case as seen in FIG. 2, with the right piece removed, showing our new design;

FIG. 7 is a front elevational view of the piece of FIG. 6;

FIG. 8 is a top plan view of the piece of FIG. 6;

FIG. 9 is a side elevational view of the piece of FIG. 6 as seen from the left side of FIG. 6;

FIG. 10 is a side elevational view of the piece of FIG. 6 as seen from the right side of FIG. 6; and

FIG. 11 is a rear elevational view of the piece of FIG. 6.

The characteristic feature of the design resides in the left piece of the two-piece transport case for embroidery machinery as shown and described in FIGS. 6-11.

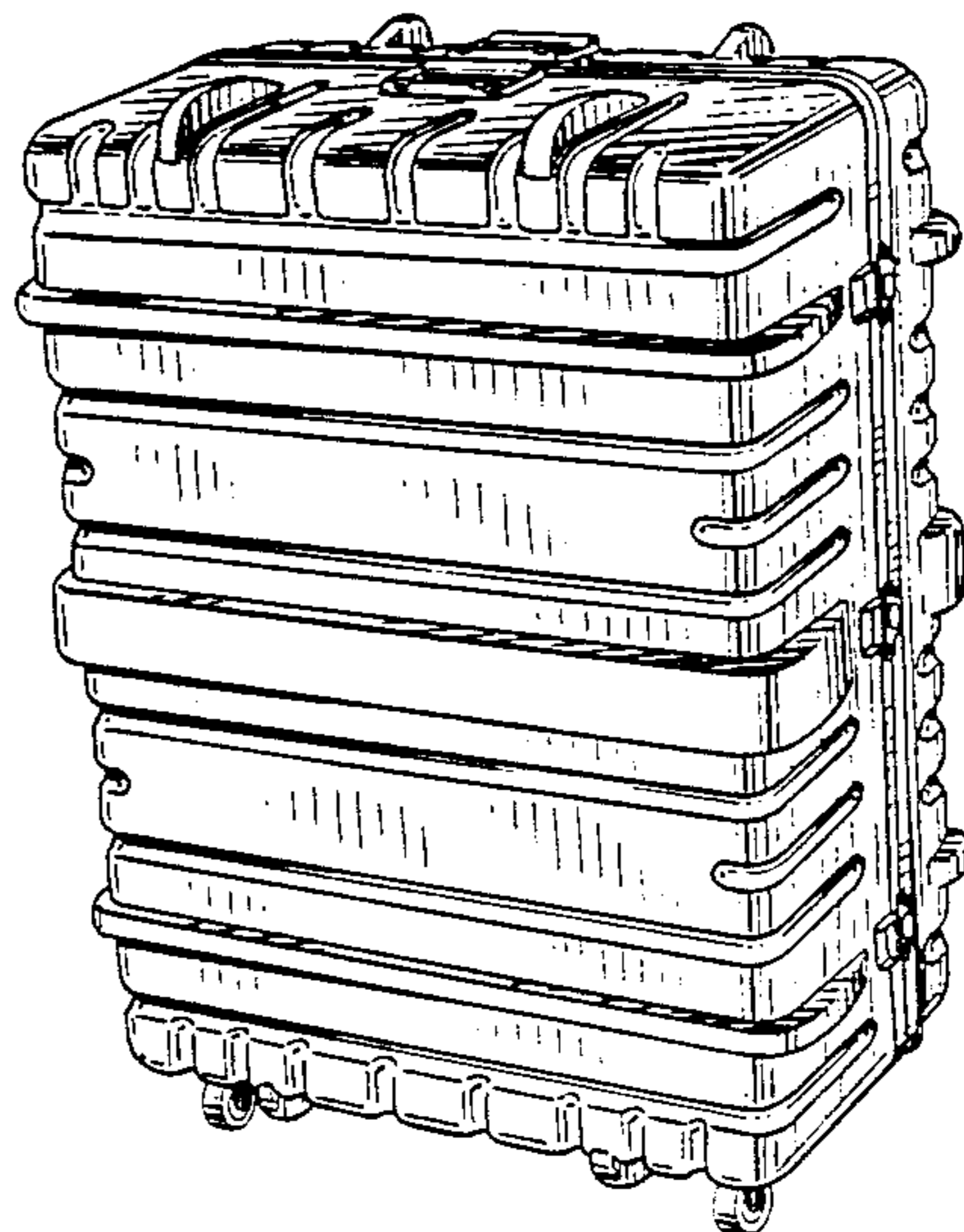
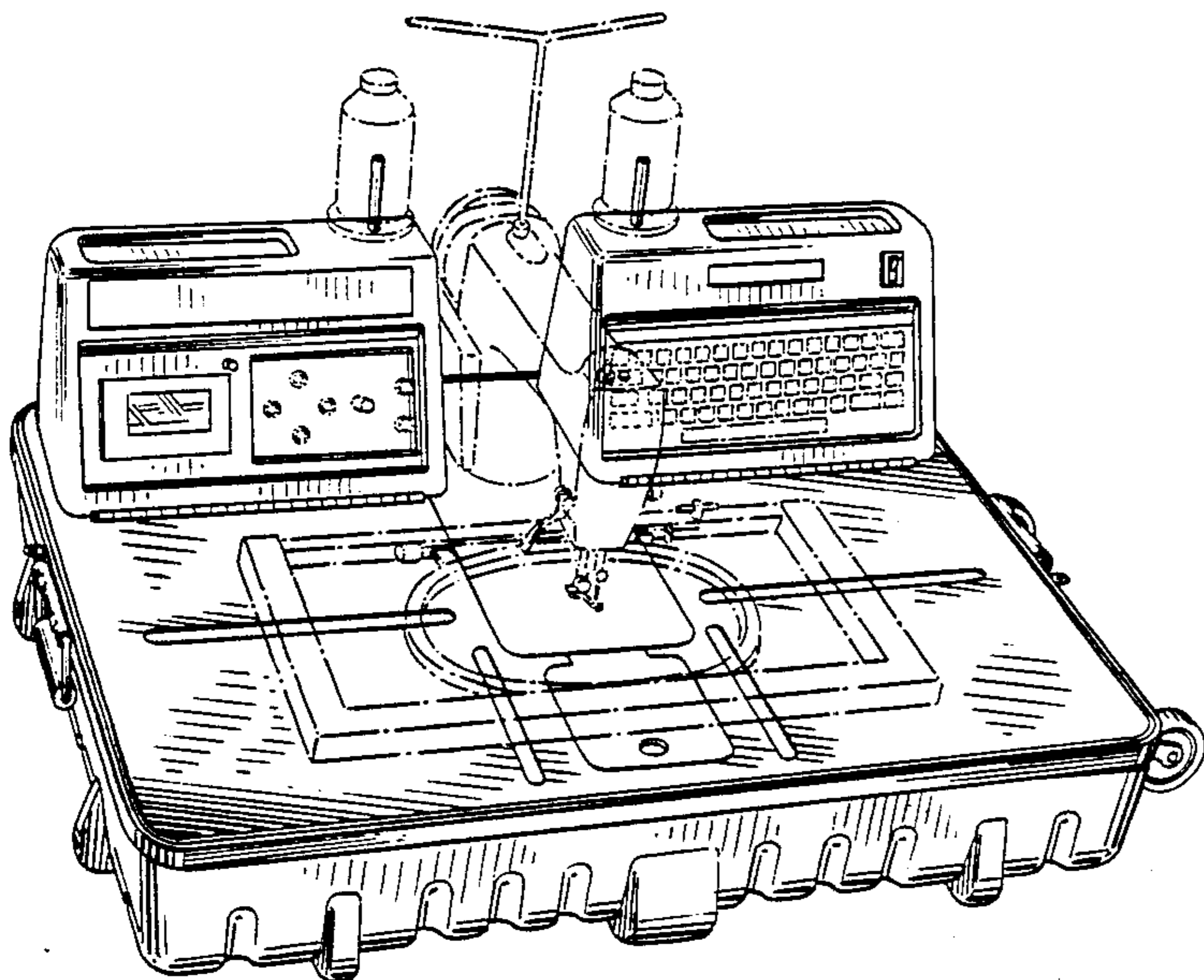


Fig. 1.

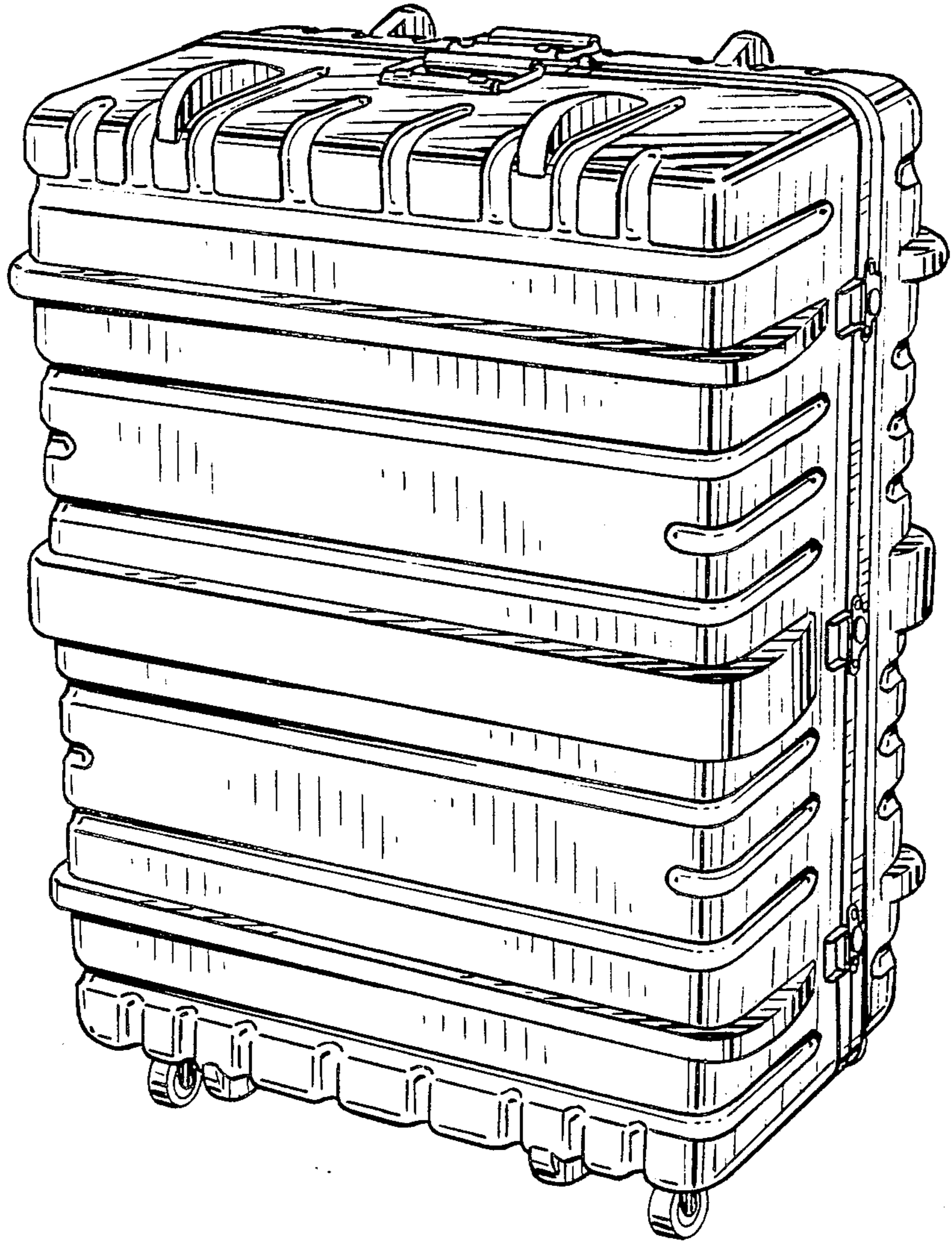


Fig. 1.

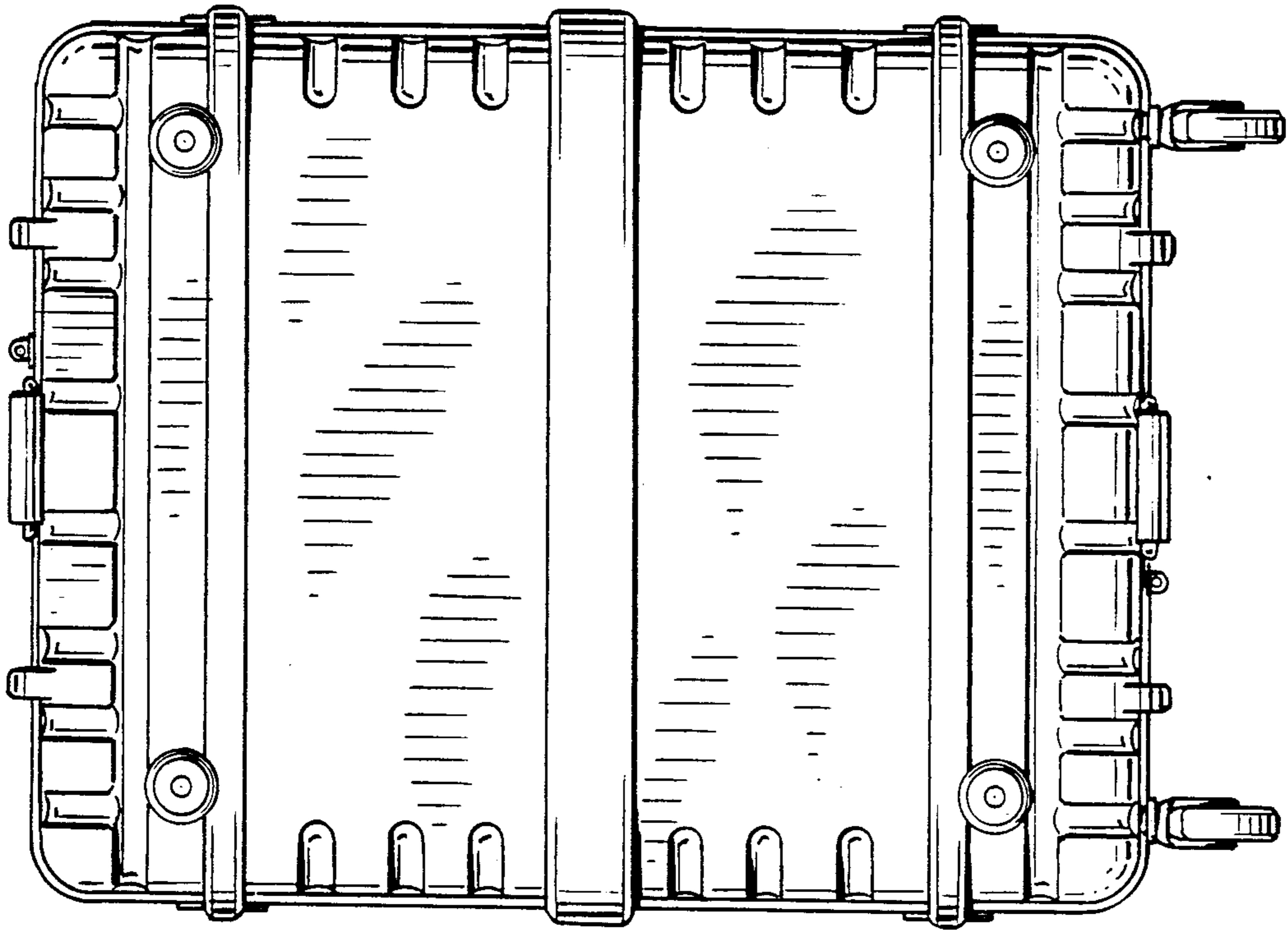


Fig. 2.

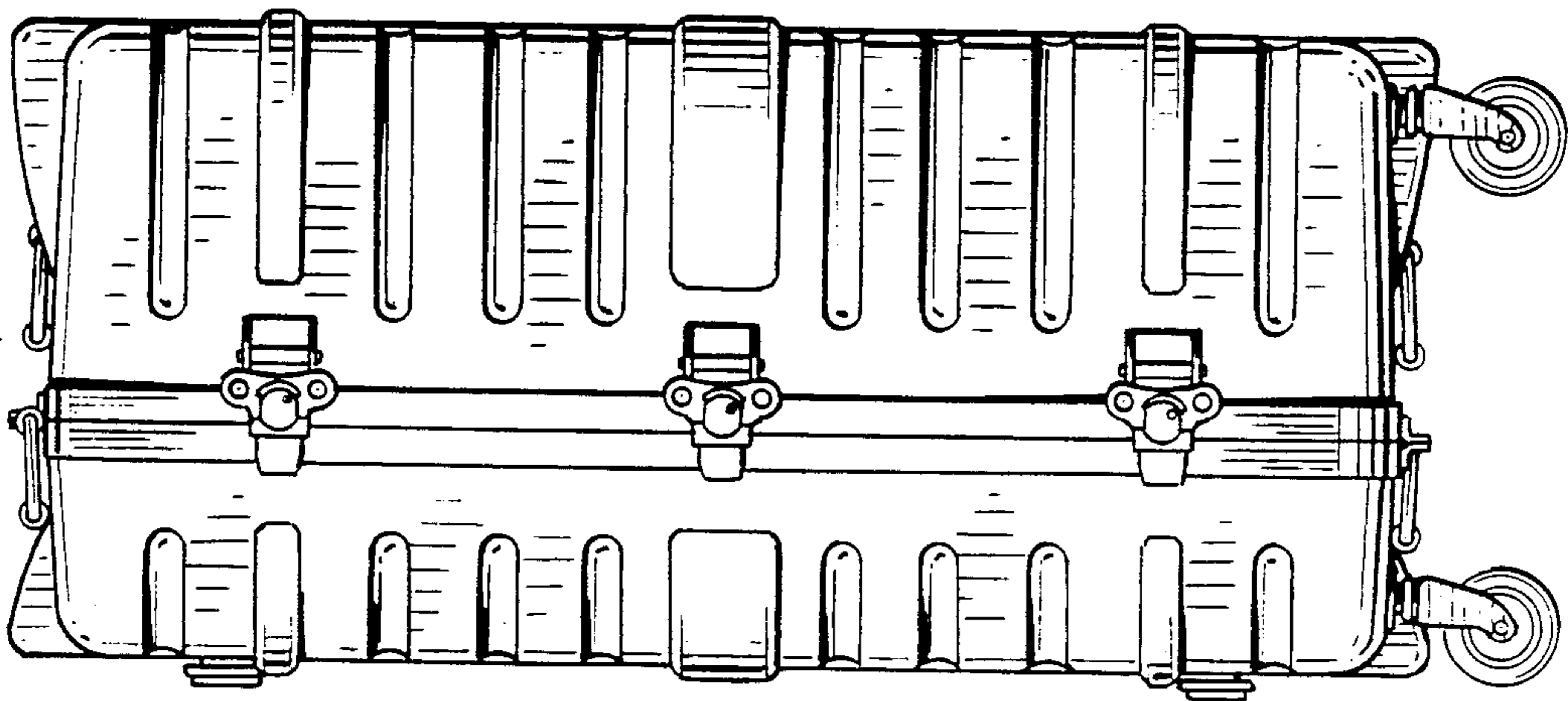


Fig. 4.

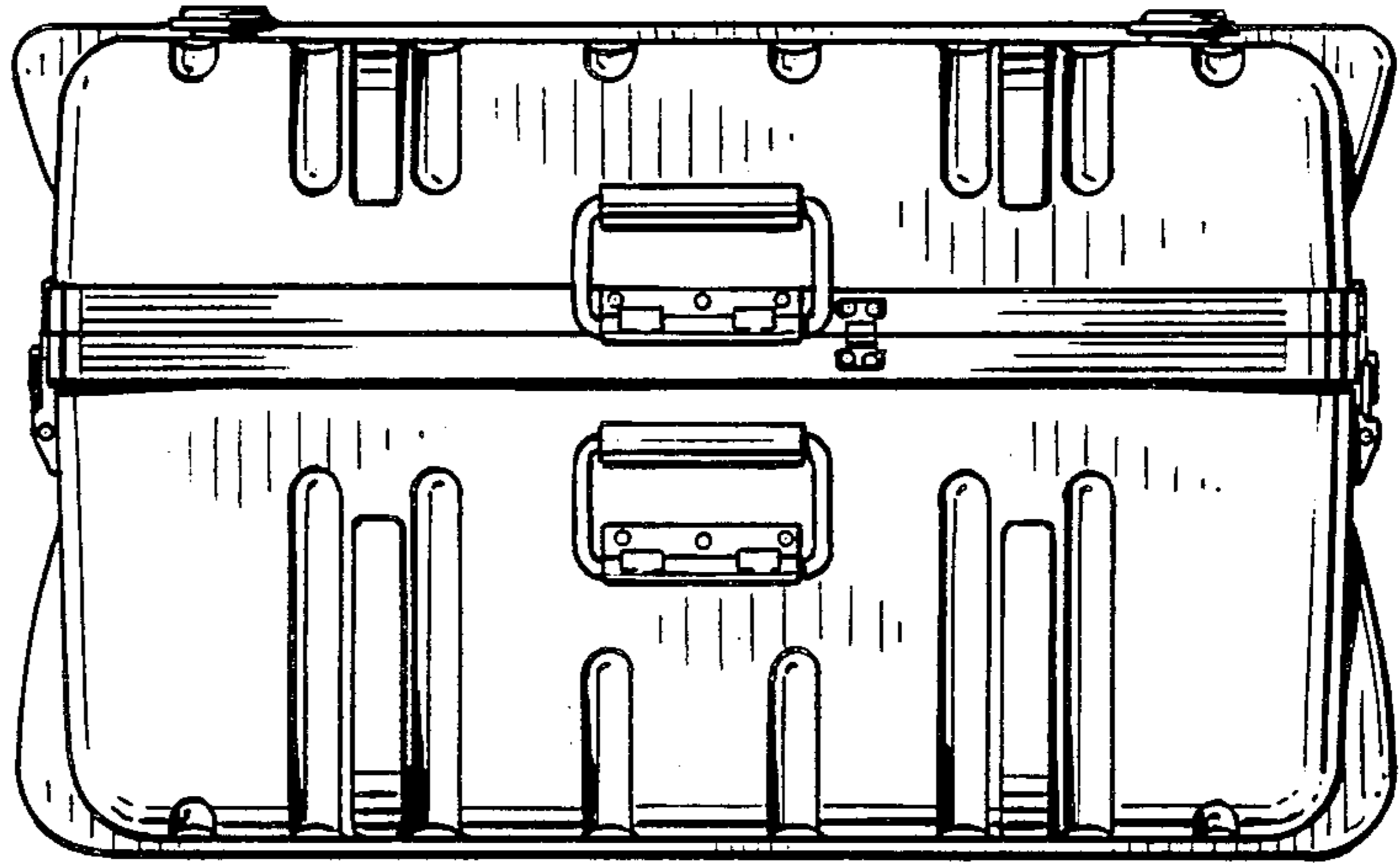


Fig. 5.

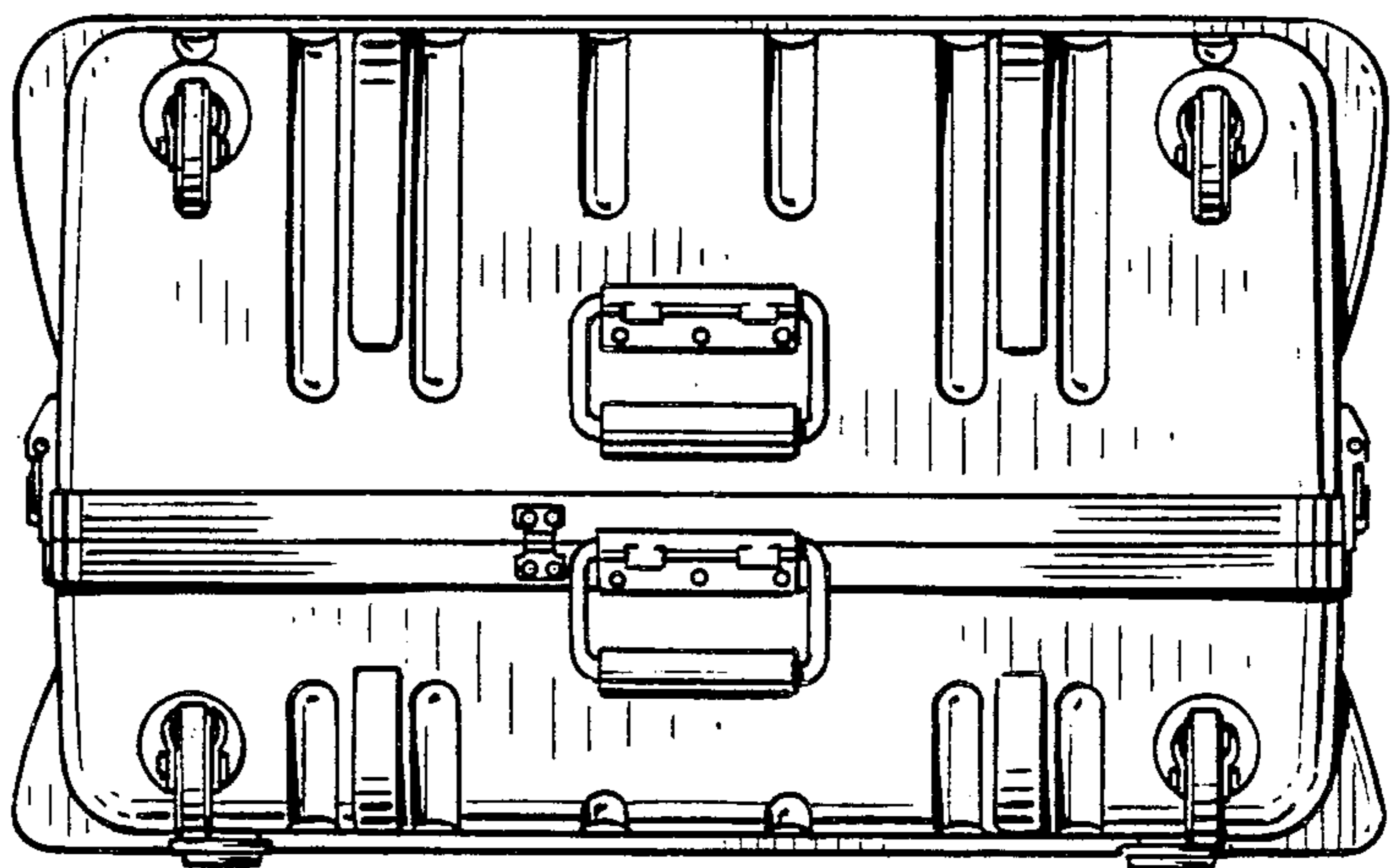
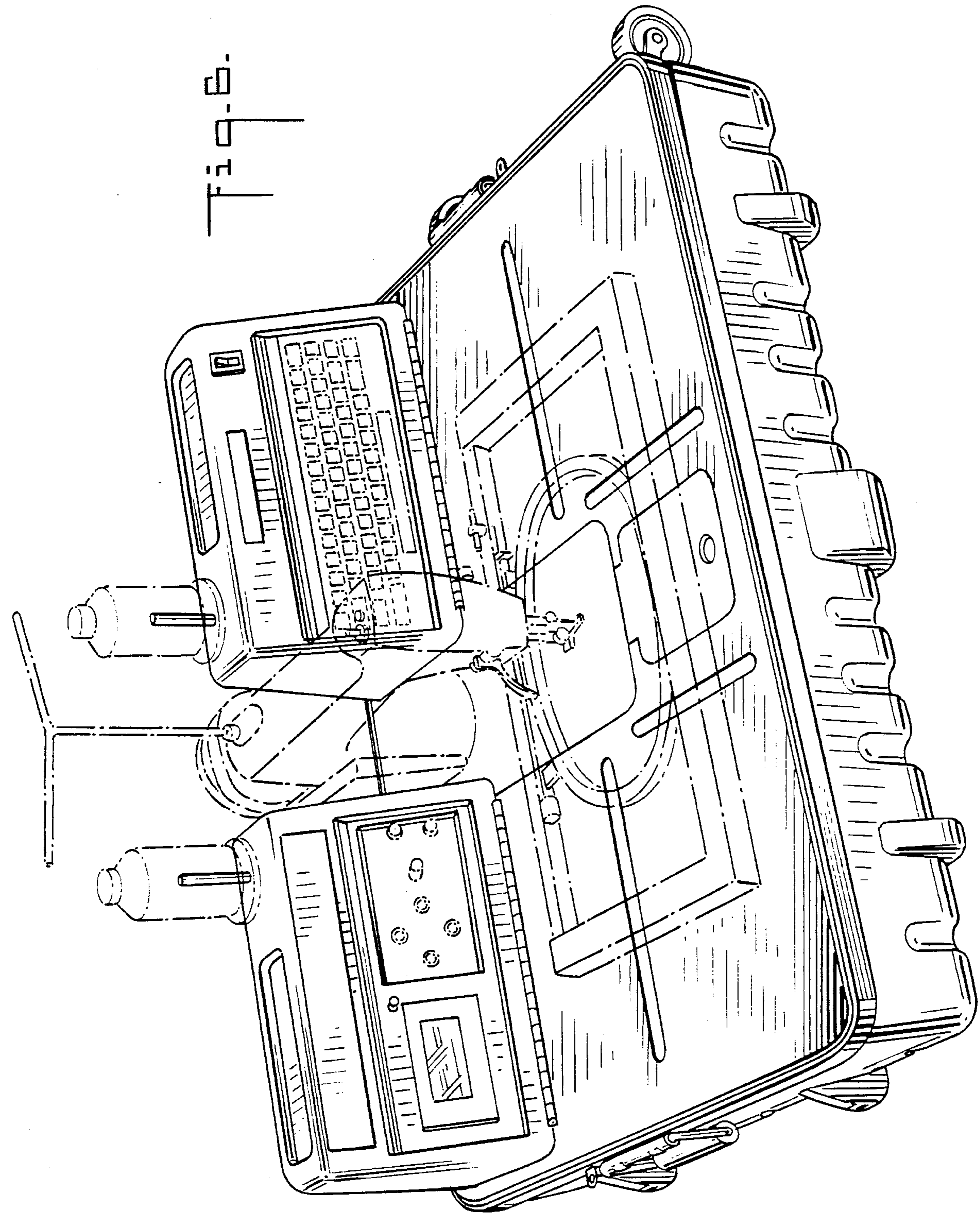
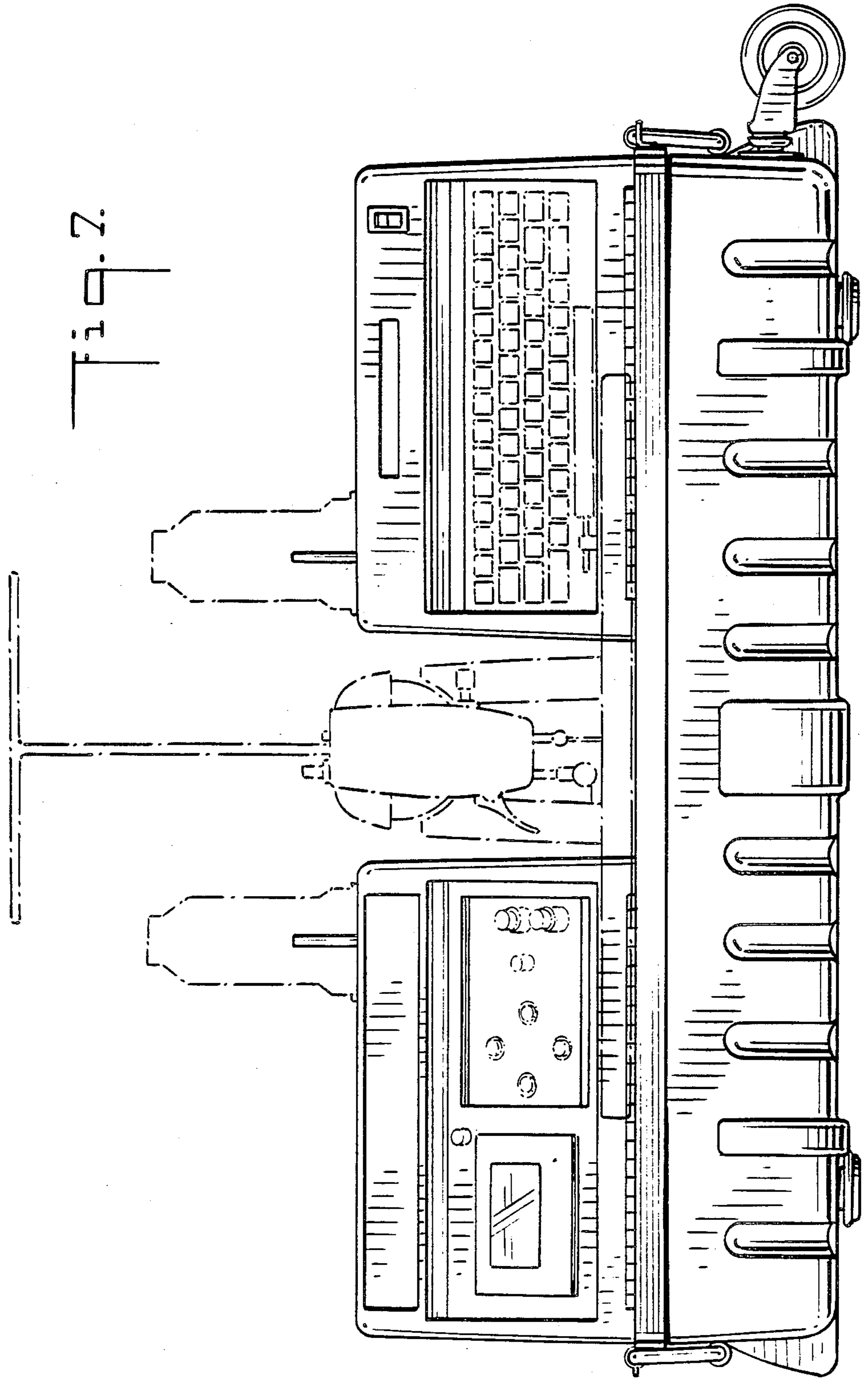
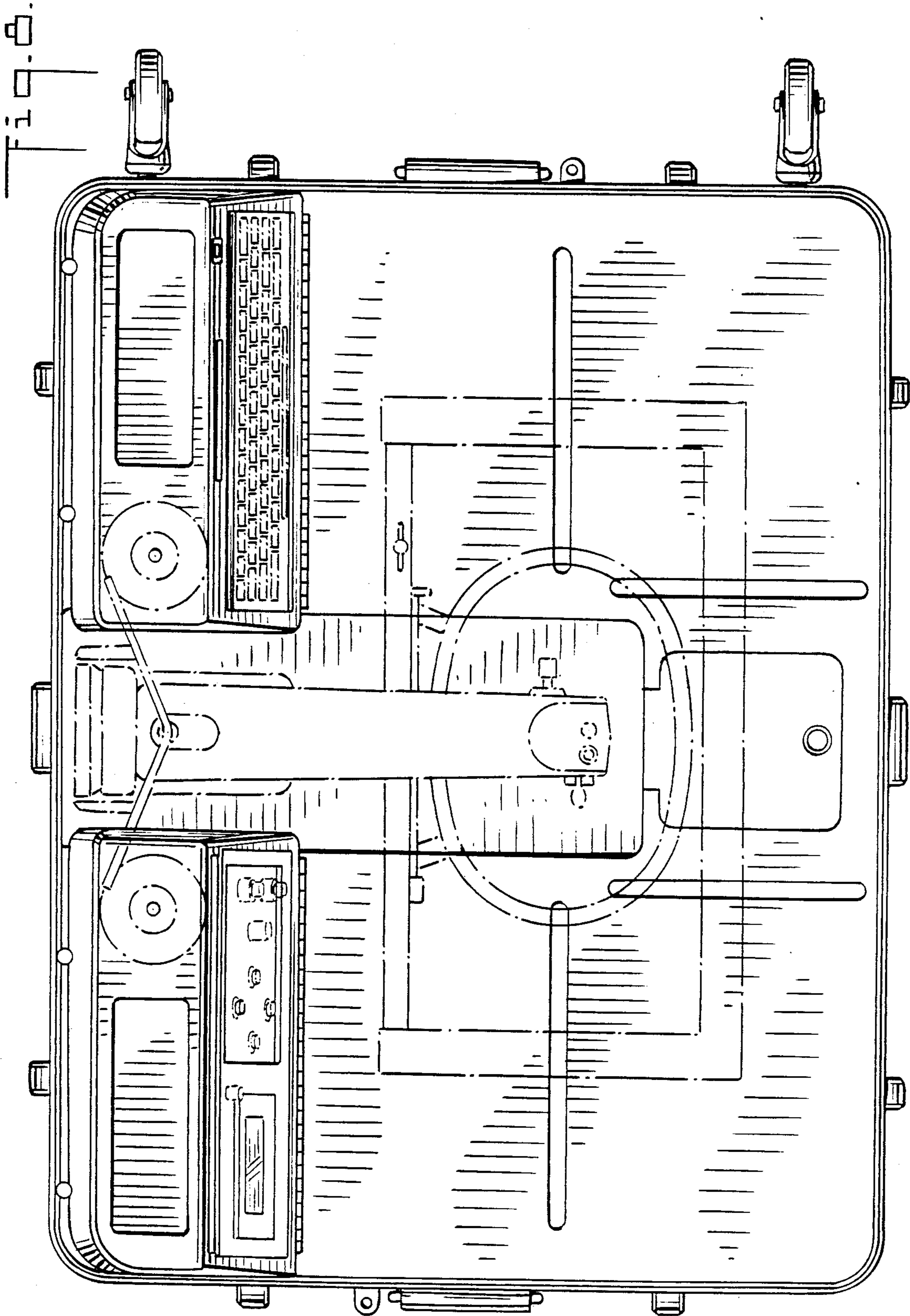
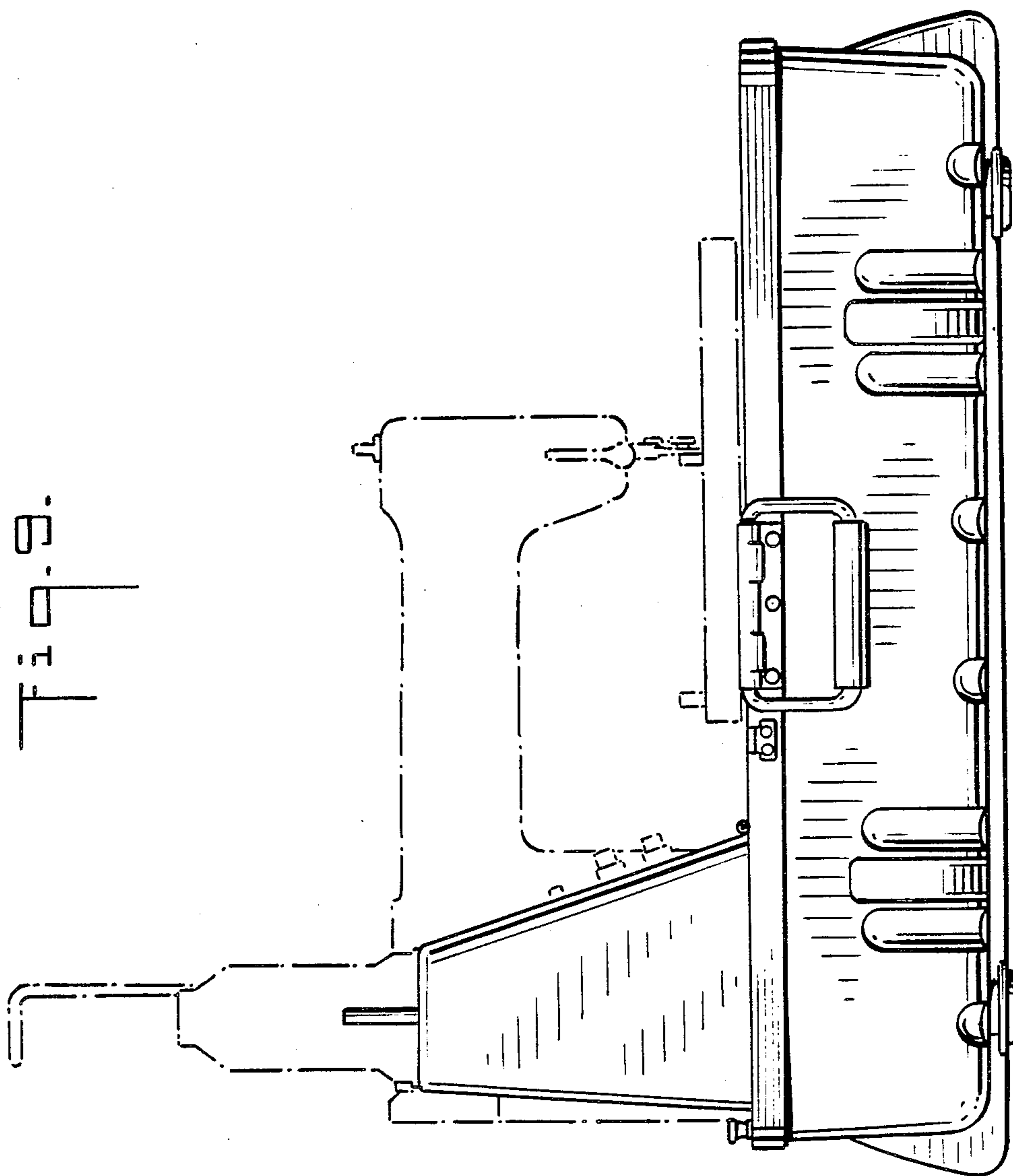


Fig. 8.









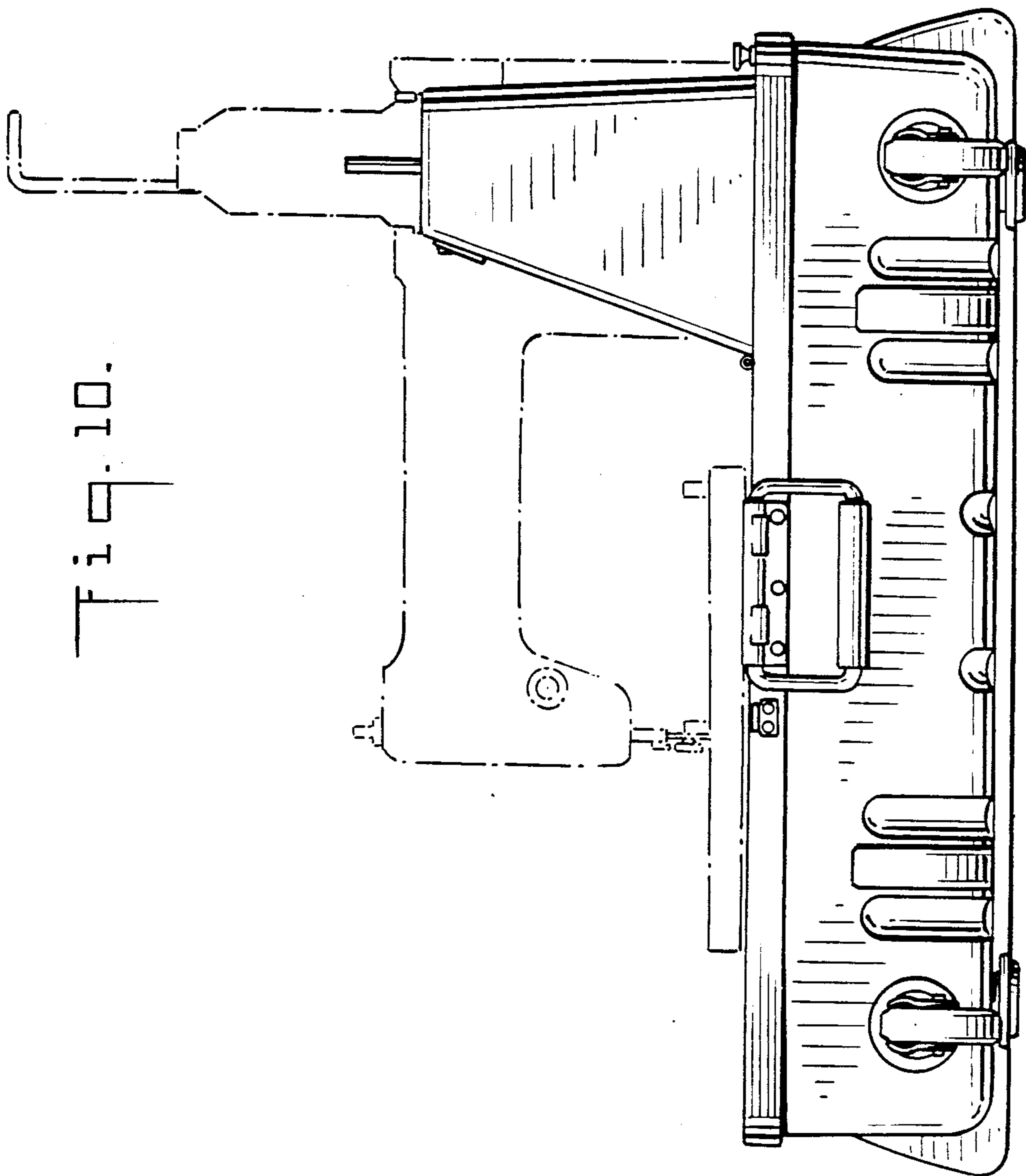


Fig. 10.

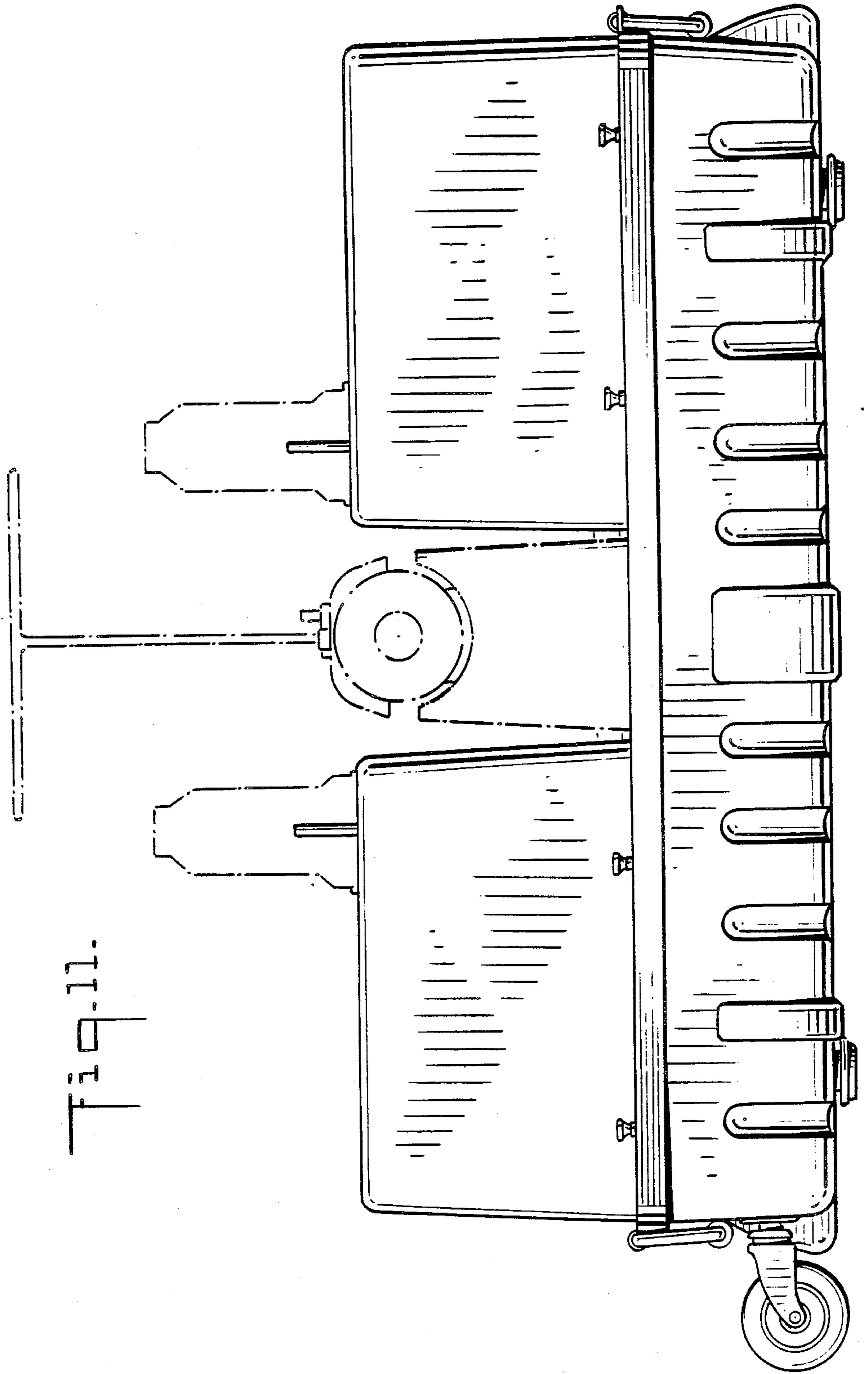


Fig. 11.