

[54] FOOT FILE

[75] Inventor: Lars Lallerstedt, Stockholm, Sweden

[73] Assignee: Scholl, Inc., Memphis, Tenn.

[**] Term: 14 Years

[21] Appl. No.: 800,582

[22] Filed: Nov. 21, 1985

[30] Foreign Application Priority Data

Jun. 3, 1985 [SE] Sweden 85-1439

[52] U.S. Cl. D28/59

[58] Field of Search D28/7, 99, 56-62;
D24/23, 28, 36; 132/1 R, 88.5, 73-76.5, 88.7

[56] References Cited

U.S. PATENT DOCUMENTS

156,173 10/1874 Patterson 132/76.4
D. 284,118 6/1986 Baumgartner D28/59

3,131,701 5/1964 Emerson 132/76.4
3,411,723 11/1968 Kohn D24/23

Primary Examiner—Louis S. Zarfes
Attorney, Agent, or Firm—Gerald S. Rosen; Thomas D. Hoffman; Stephen I. Miller

[57] CLAIM

The ornamental design for a foot file, substantially as shown and described.

DESCRIPTION

FIG. 1 is a top perspective view of a foot file showing my new design;
FIG. 2 is a bottom perspective view thereof;
FIG. 3 is a top plan view thereof;
FIG. 4 is a side elevational view thereof;
FIG. 5 is a plan view from the abrasive containing end thereof;
FIG. 6 is a plan view from the handle end thereof;
FIG. 7 is a bottom plan view thereof.

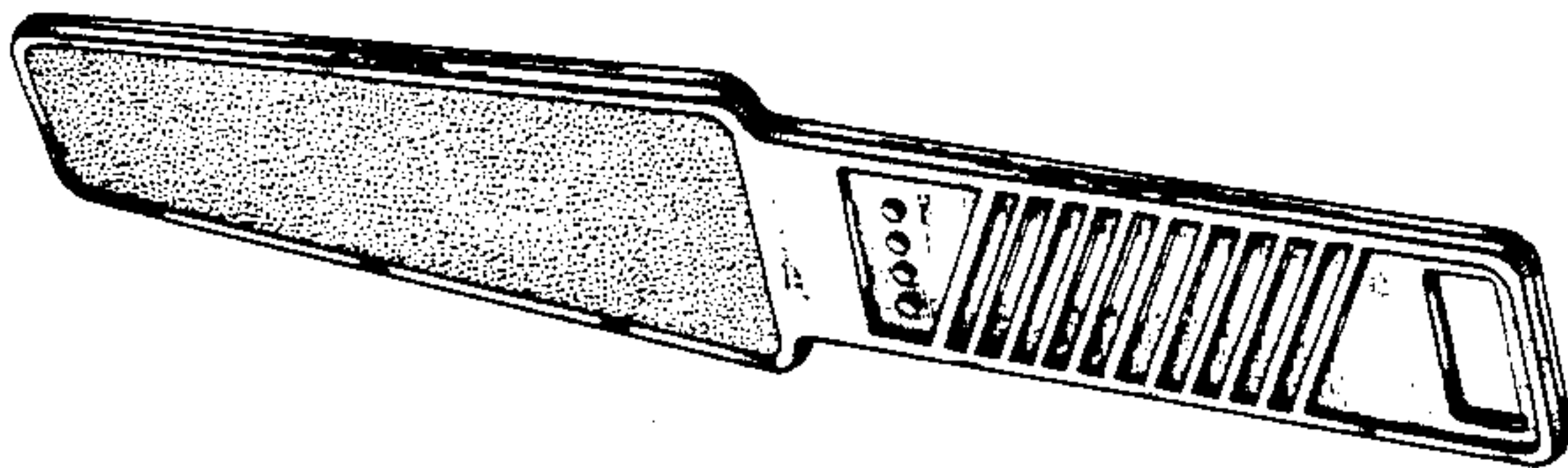
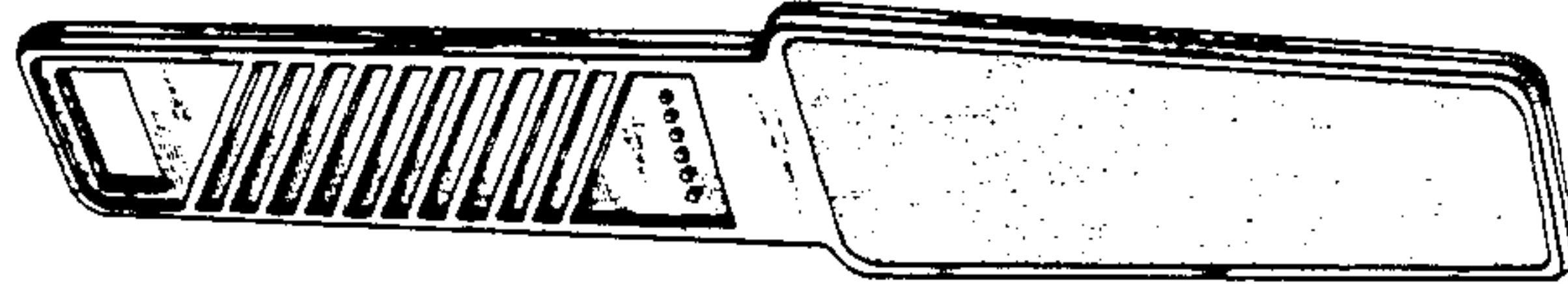


FIG. 1

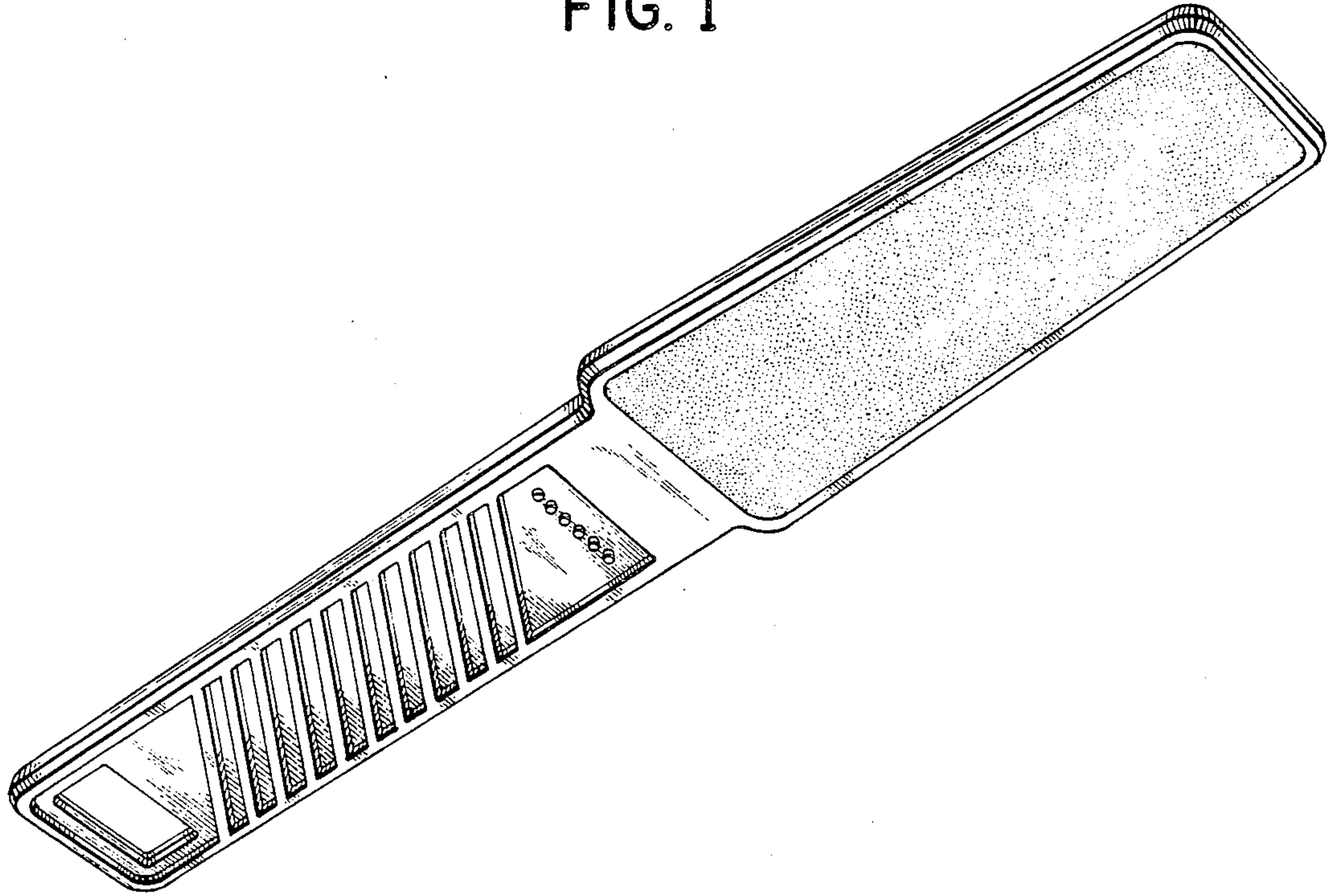


FIG. 2

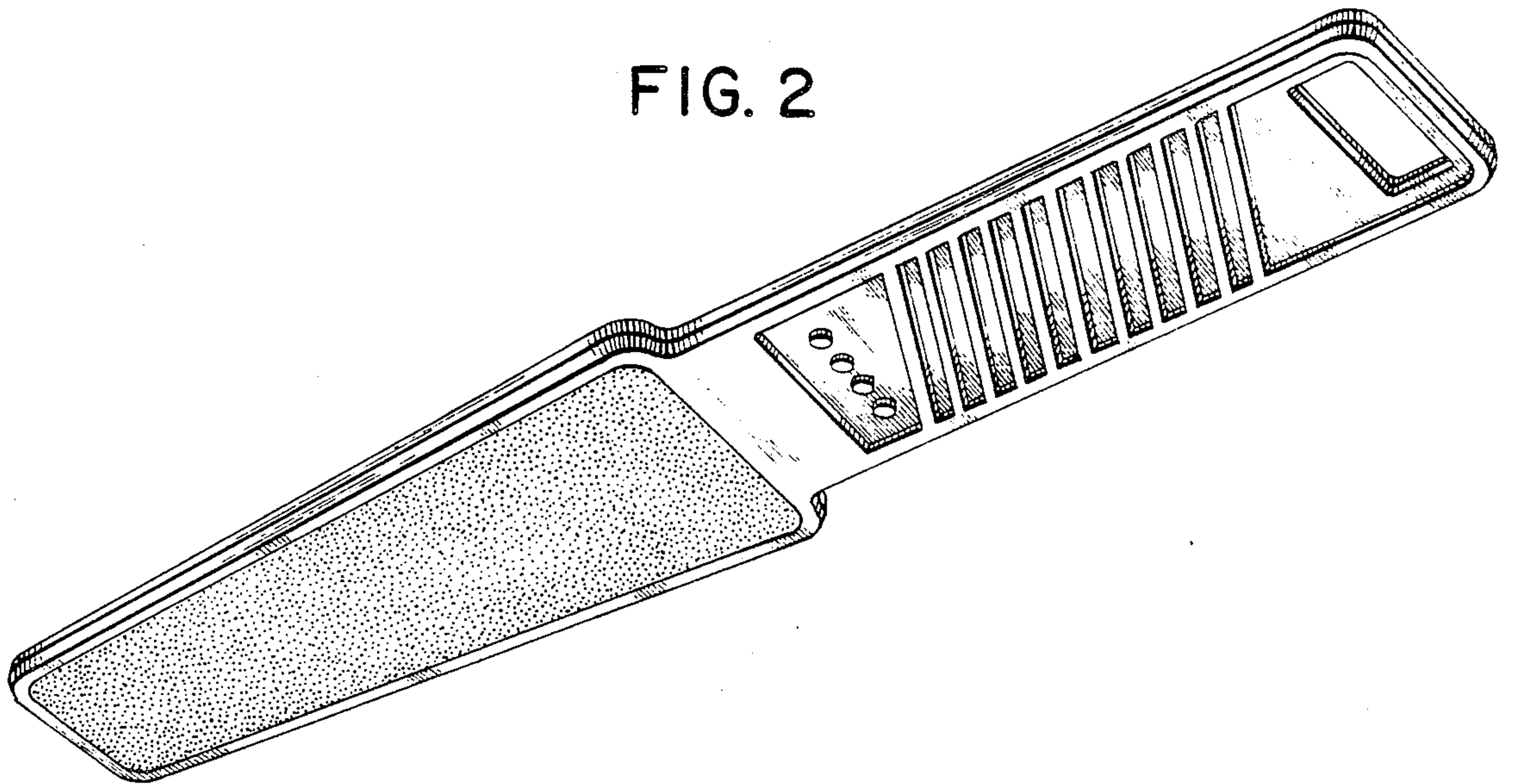


FIG. 5



FIG. 4

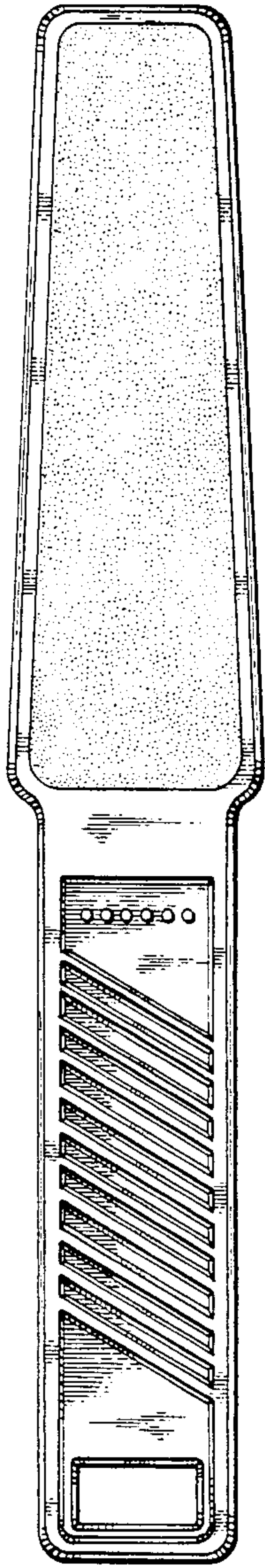


FIG. 3

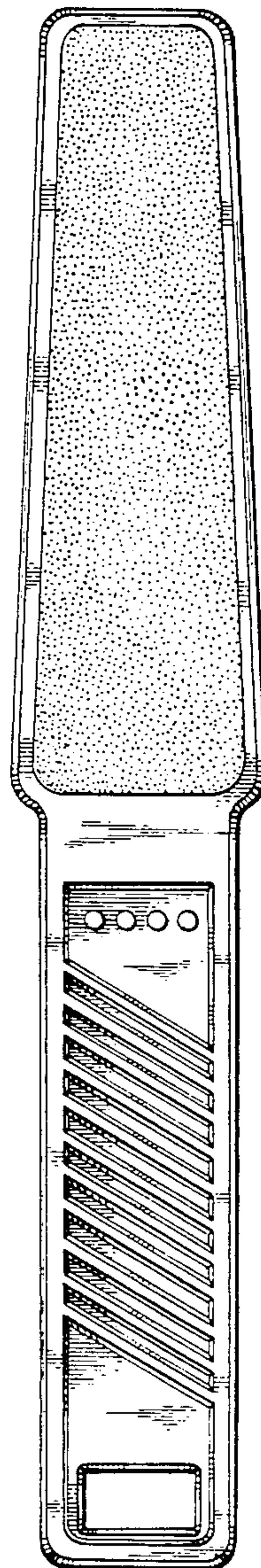


FIG. 7

FIG. 6

