

[54] LAMP FOR PRODUCING CHANGING DECORATIVE EFFECTS BY MEANS OF ENCLOSED CONTINUOUSLY FLOWING FLUIDS

3,174,688	3/1965	Chatten	362/811 X
3,711,698	1/1973	Hess	362/811 X
3,749,311	7/1973	Hruby, Jr.	239/17
3,903,628	9/1975	Goyeau	40/406
3,964,194	6/1976	Gugeler	40/406
4,072,855	2/1978	Marchese	362/806 X

[76] Inventor: Alison E. Morrison, 9 Seabreeze Apts., Miller Street, Port Cumana, Trinidad & Tobago,

Primary Examiner—Susan J. Lucas
Attorney, Agent, or Firm—W. C. Tupman

[**] Term: 14 Years

[57] CLAIM

[21] Appl. No.: 754,076

The ornamental design for a lamp for producing changing decorative effects by means of enclosed continuously flowing fluids, substantially as shown and described.

[22] Filed: Jul. 12, 1985

DESCRIPTION

[52] U.S. Cl. D26/93; D26/104

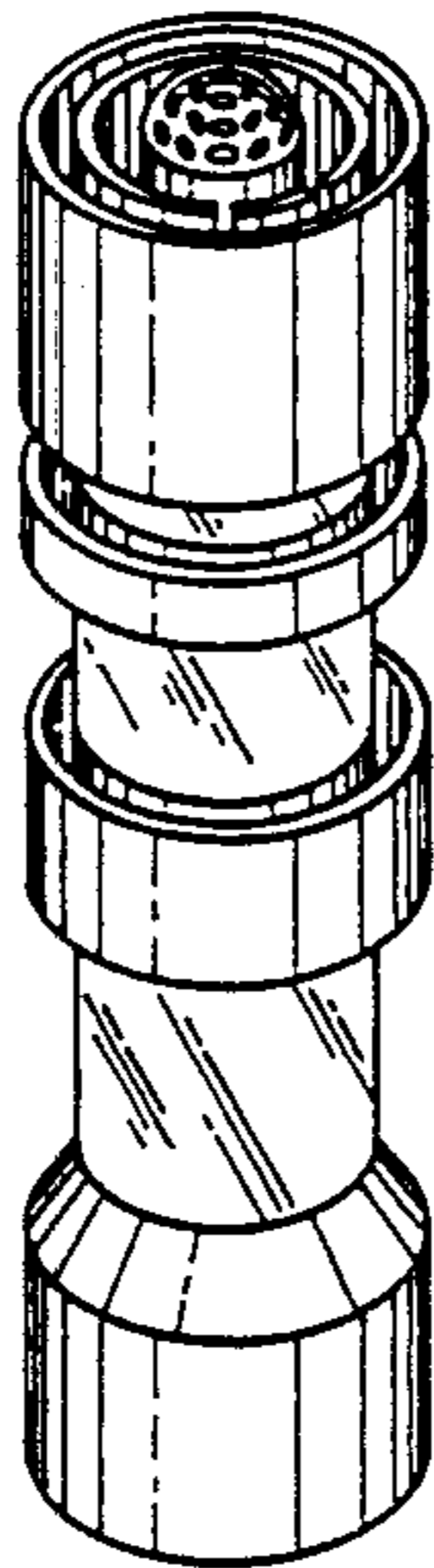
[58] Field of Search D26/93-112, D26/24; 362/410, 411, 412, 413, 414, 806, 811; 40/406

FIG. 1 is an isometric view of a lamp for producing changing decorative effects by means of enclosed continuously flowing fluids showing my new design; FIG. 2 is a side elevational view thereof; FIG. 3 is a top plan view thereof; FIG. 4 is a bottom plan view thereof; and FIG. 5 is an opposite side elevational view thereof.

[56] References Cited

U.S. PATENT DOCUMENTS

D. 255,055 5/1980 Cambo D26/104
2,974,872 3/1961 Rodman .



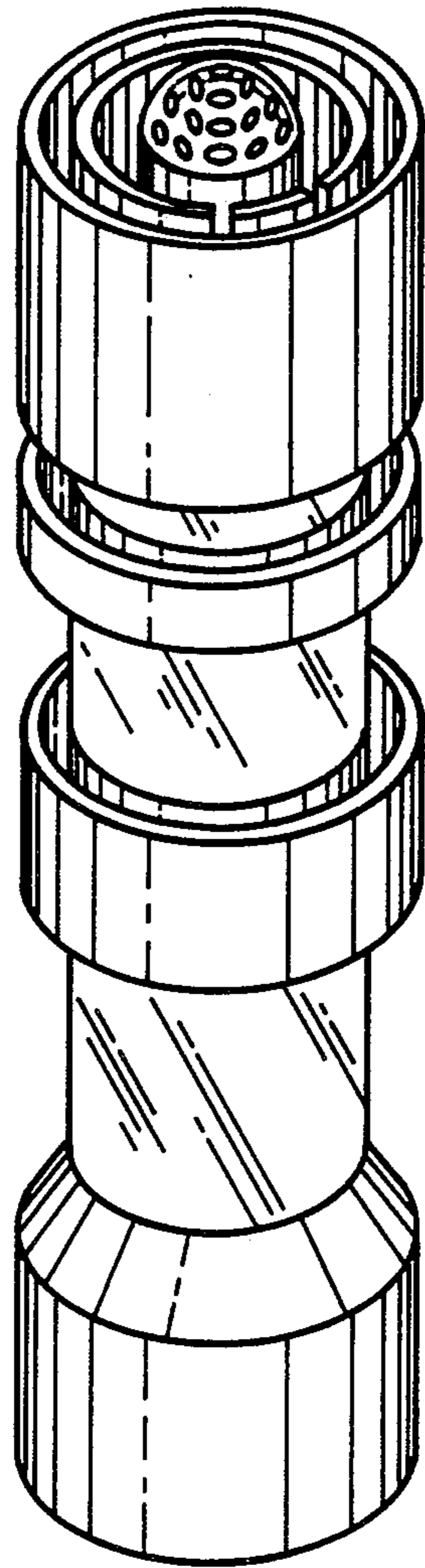


Fig. 1

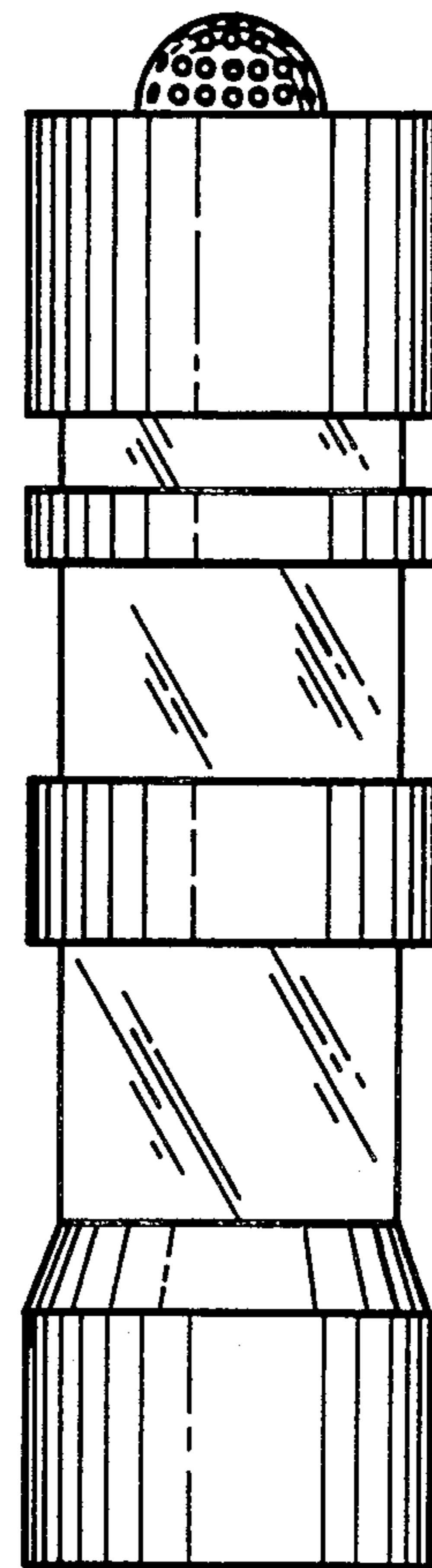


Fig. 2

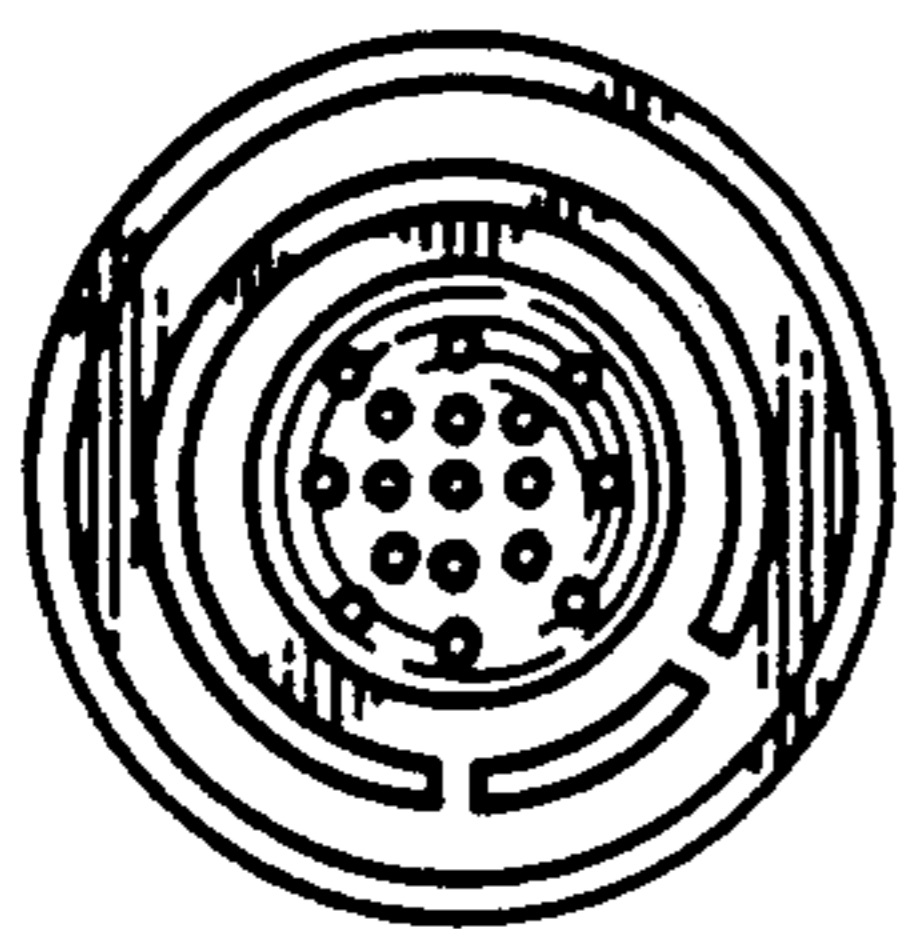


Fig. 3

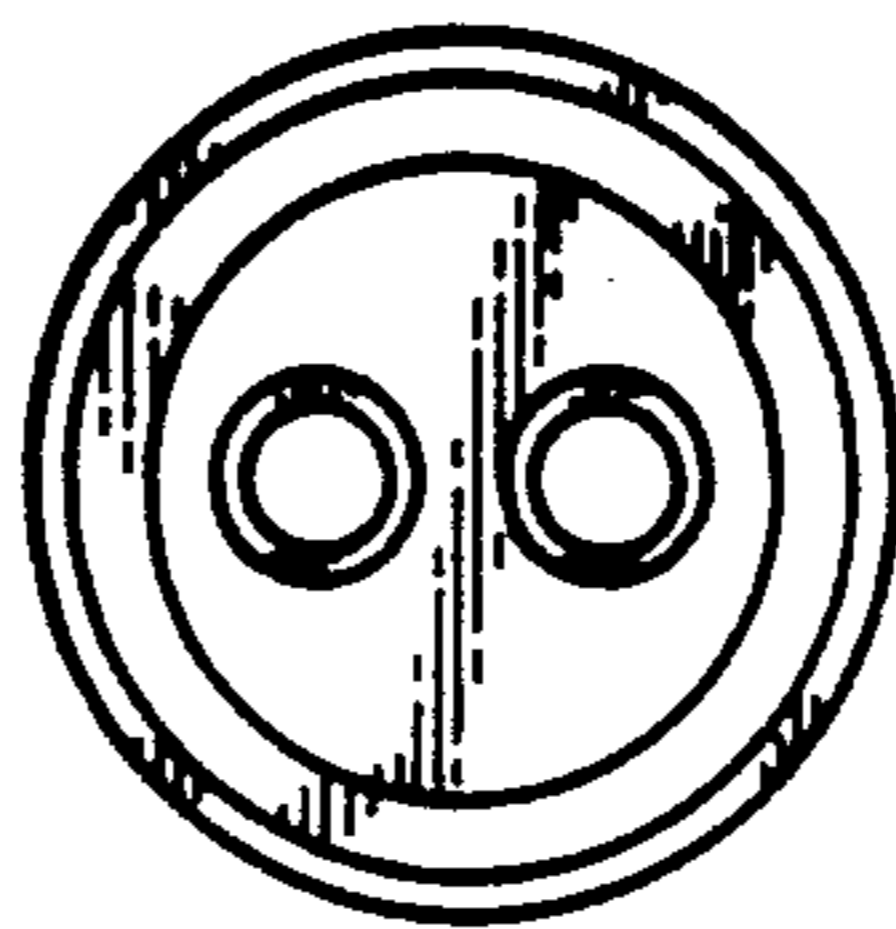


Fig. 4

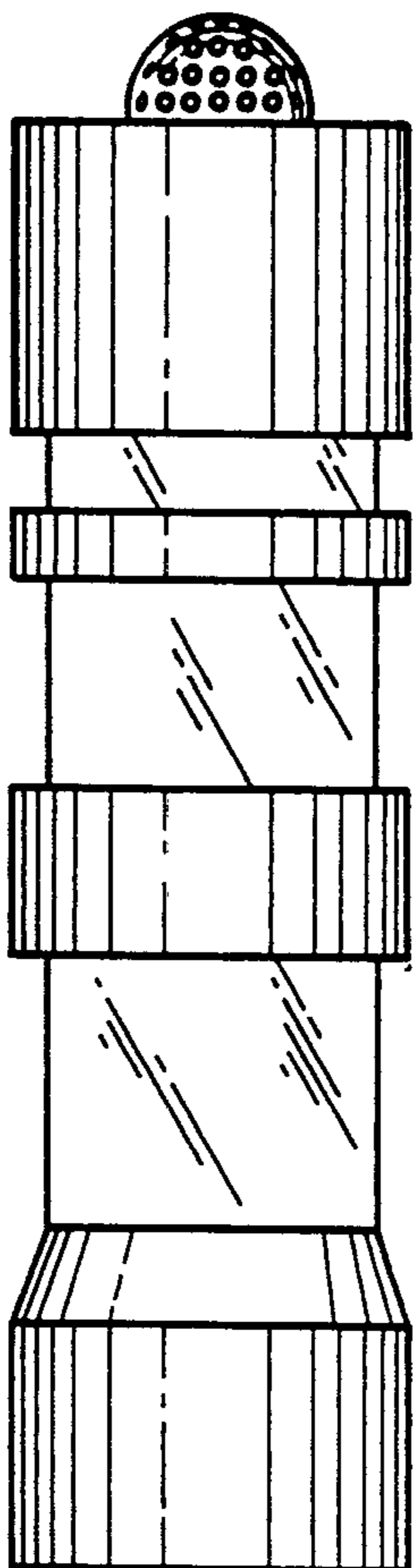


Fig. 5