

[54] COMBINED AUDIBLE ALARM AND FLASHLIGHT

[75] Inventor: Yiu K. Wan, 612, Nan Fung Centre, 264-298 Castle Peak Road, Tseun Wan, New Territories, Hong Kong

[73] Assignee: Lung Sun Plastic & Metal Fty. Limited, Kwun Tong, Hong Kong

[**] Term: 14 Years

[21] Appl. No.: 699,151

[22] Filed: Feb. 6, 1985

[30] Foreign Application Priority Data

Aug. 6, 1984 [GB] United Kingdom 1021347

[52] U.S. Cl. D26/38; D10/116; D26/46

[58] Field of Search D26/37-50; D10/116; 362/157, 158, 183-191, 194-205; 340/539, 566, 573, 321, 331, 326

[56] References Cited

U.S. PATENT DOCUMENTS

D. 275,423	9/1984	Stansbury, Jr. et al.	D10/116 X
3,171,109	2/1965	Appel	340/321 X
4,247,844	1/1981	Zapolski et al.	340/321
4,468,656	8/1984	Clifford et al.	340/573 X

Primary Examiner—Susan J. Lucas

Attorney, Agent, or Firm—Wenderoth, Lind & Ponack

[57] CLAIM

The ornamental design for a combined audible alarm and flashlight, as shown and described.

DESCRIPTION

FIG. 1 is a top, side, and end perspective view of a combined audible alarm and flashlight showing my new design;

FIG. 2 is a side elevational view, thereof the opposite side being a mirror image;

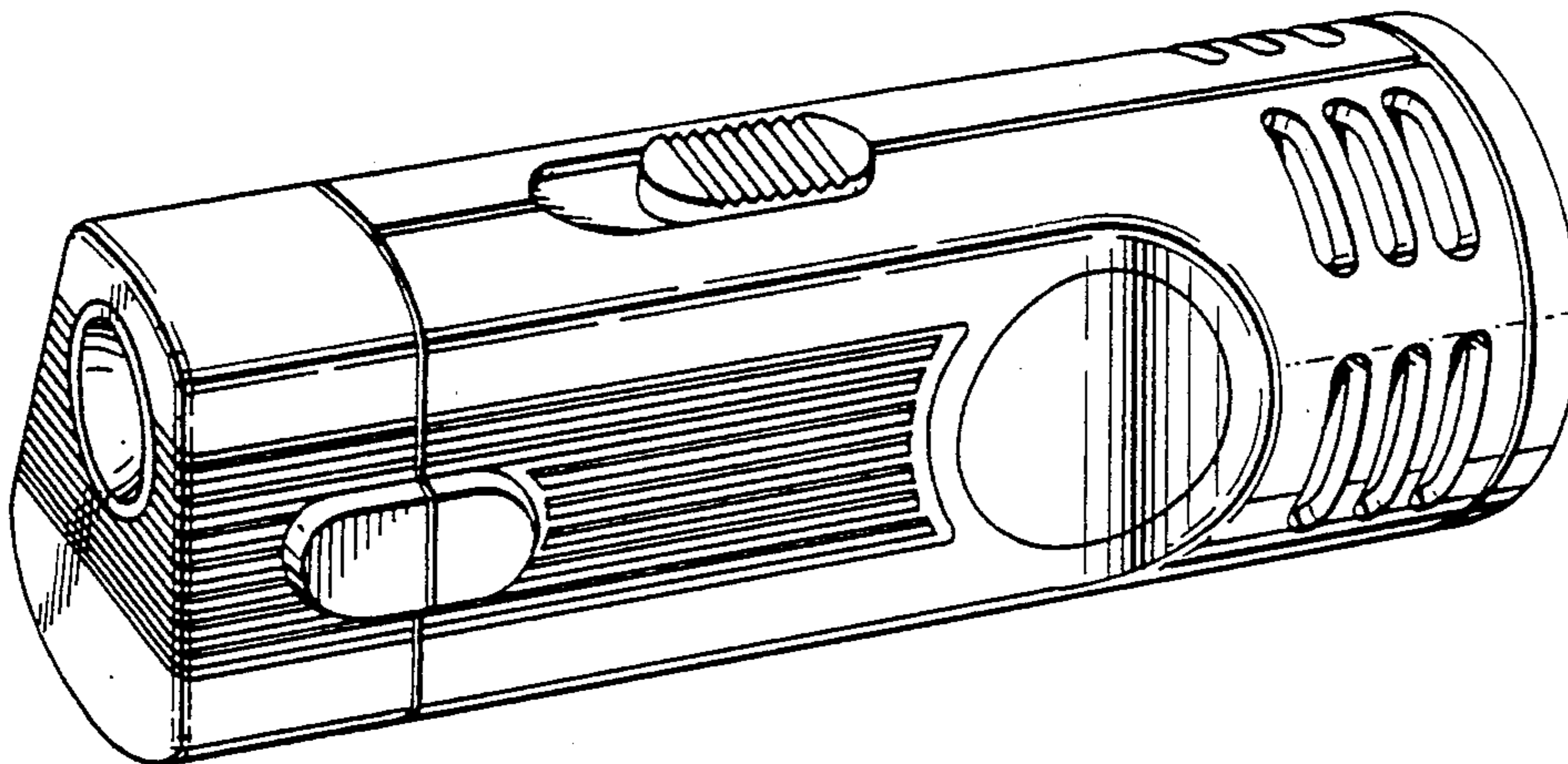
FIG. 3 is a top plan view thereof;

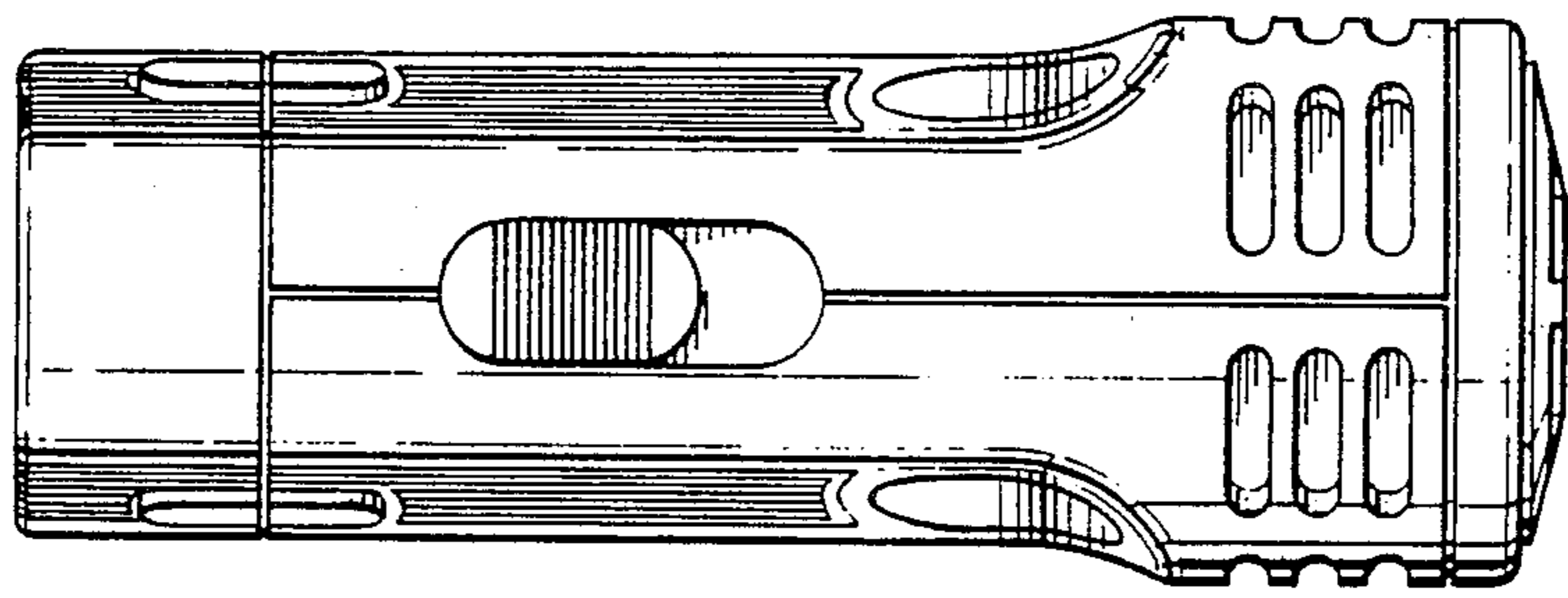
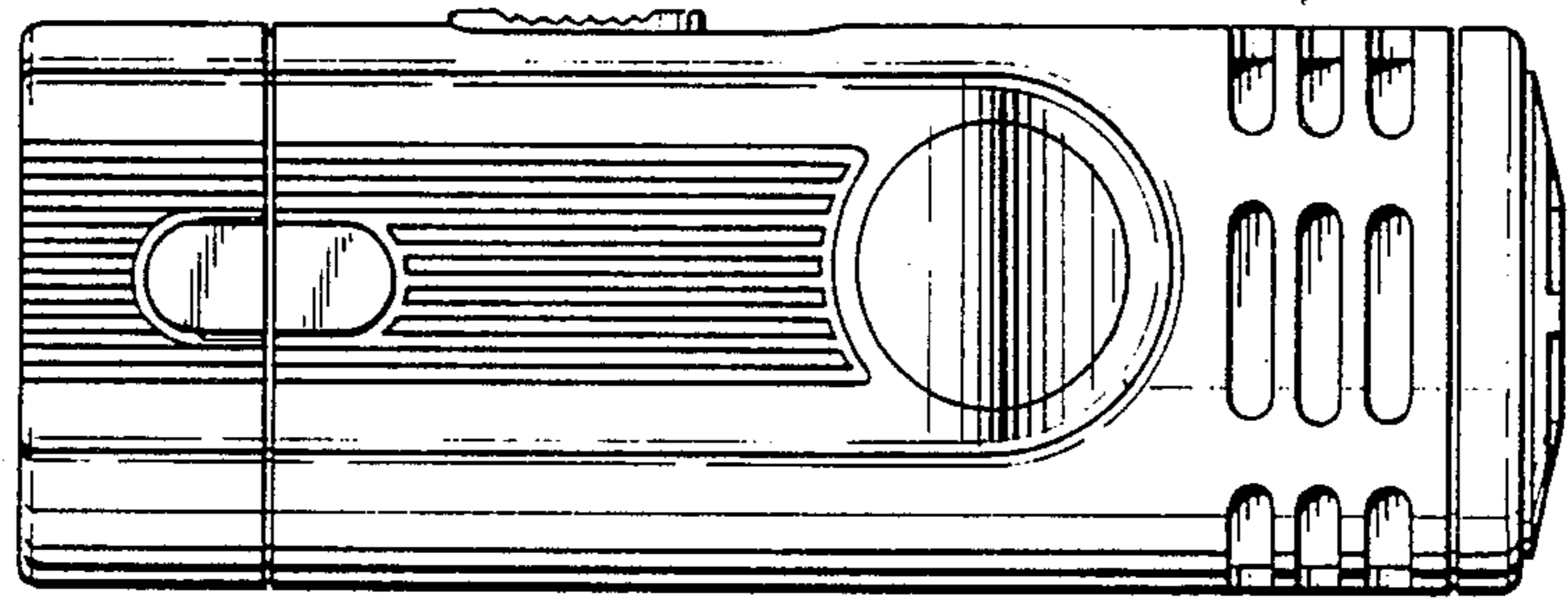
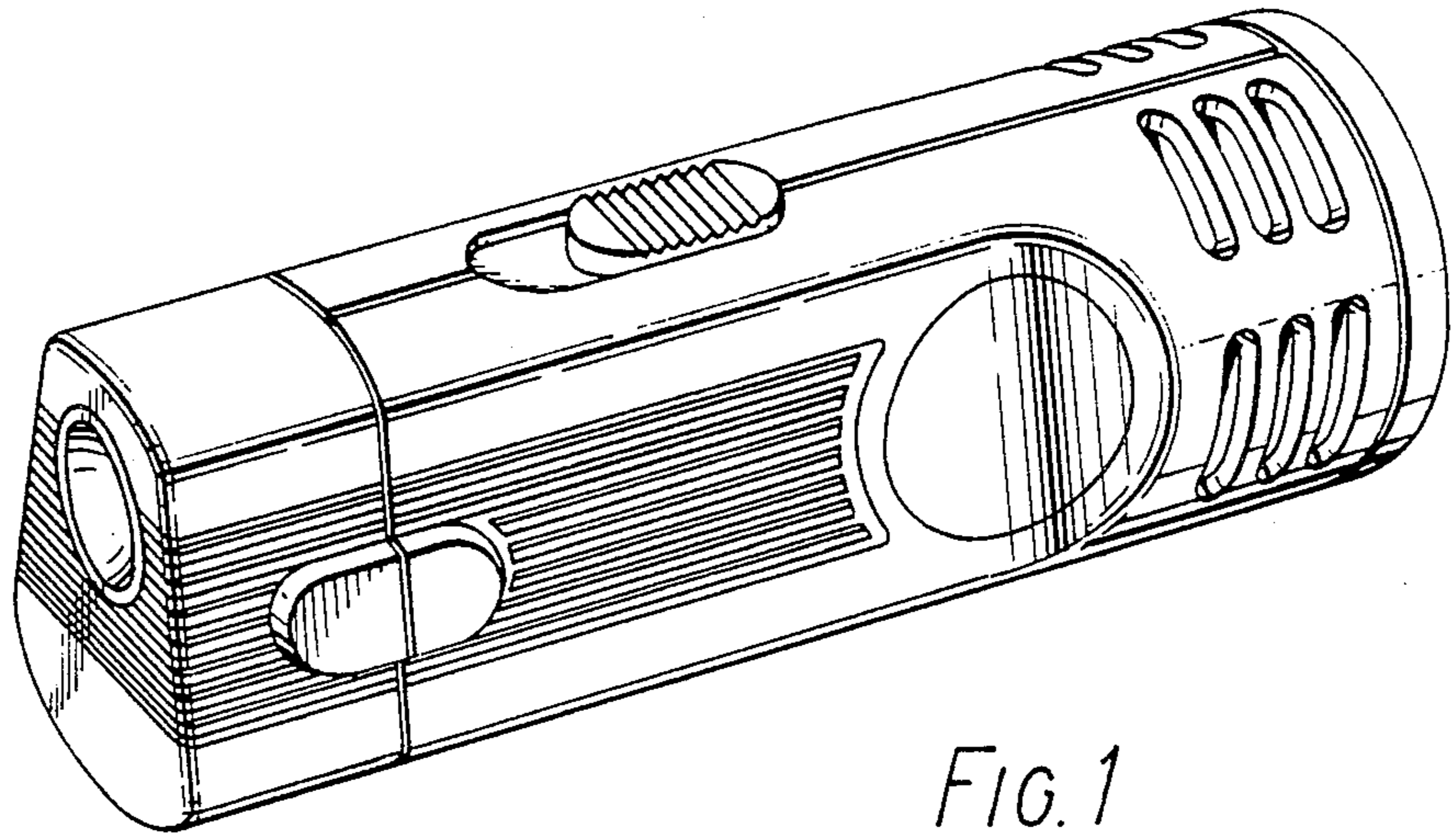
FIG. 4 is a bottom plan view thereof;

FIG. 5 is an end elevational view thereof;

FIG. 6 is the opposite end elevational view thereof; and FIG. 7 is a top, opposite side and end perspective view thereof.

The fluorescent lamp bases are shown in broken lines in FIGS. 1 and 5 for illustrative purposes only.





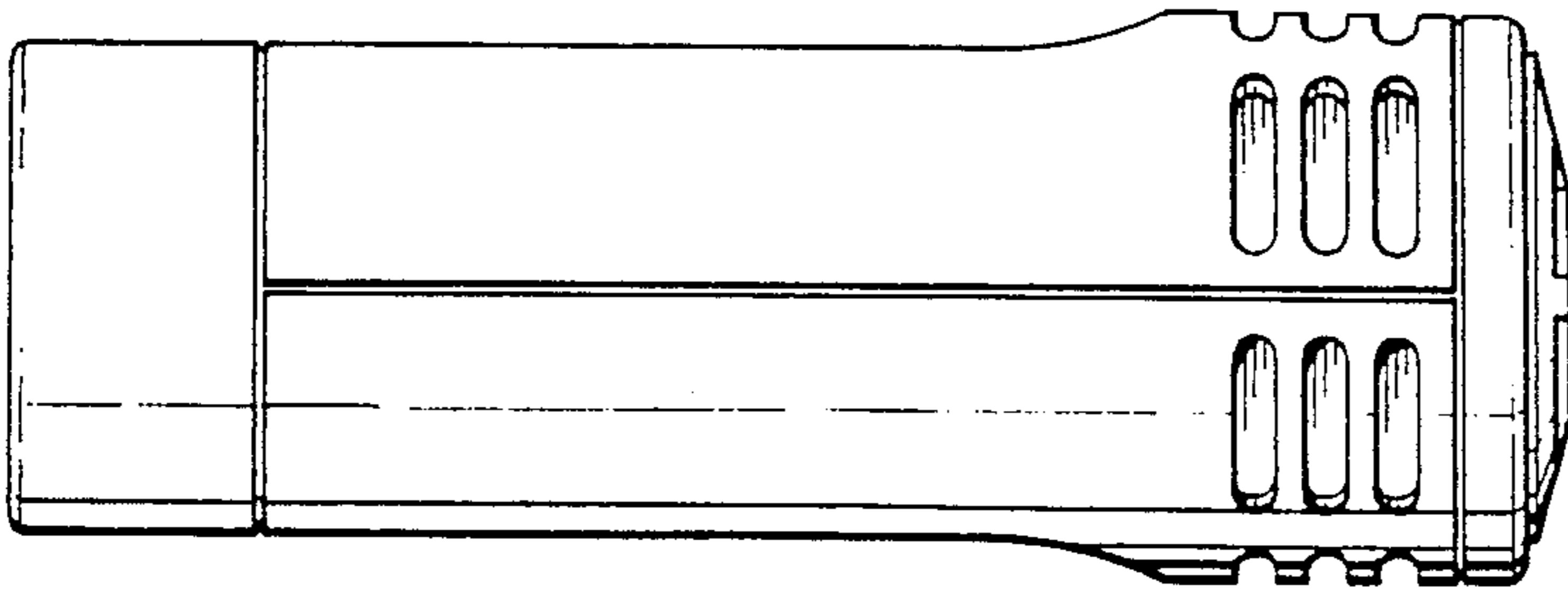


FIG. 4

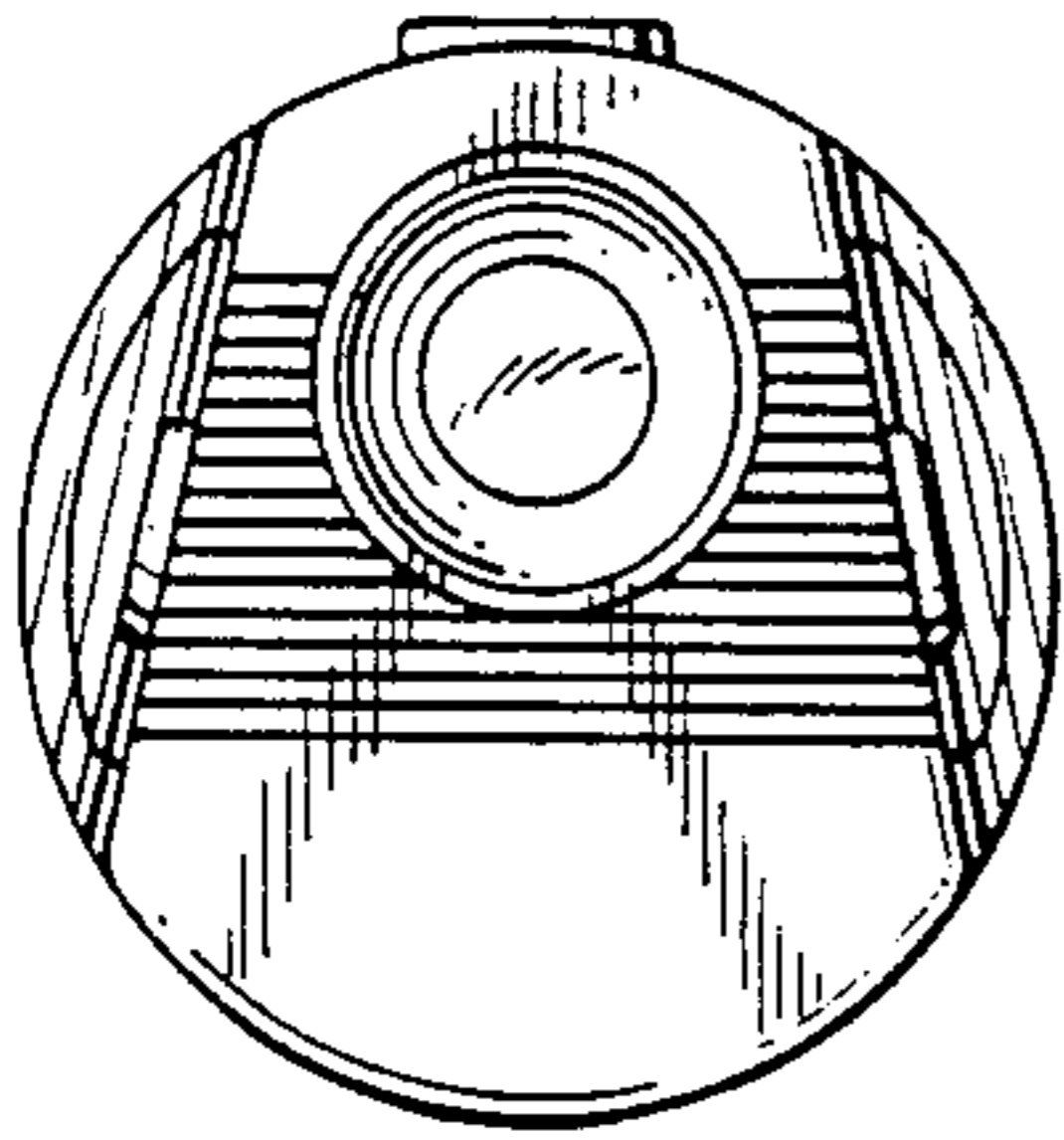


FIG. 5

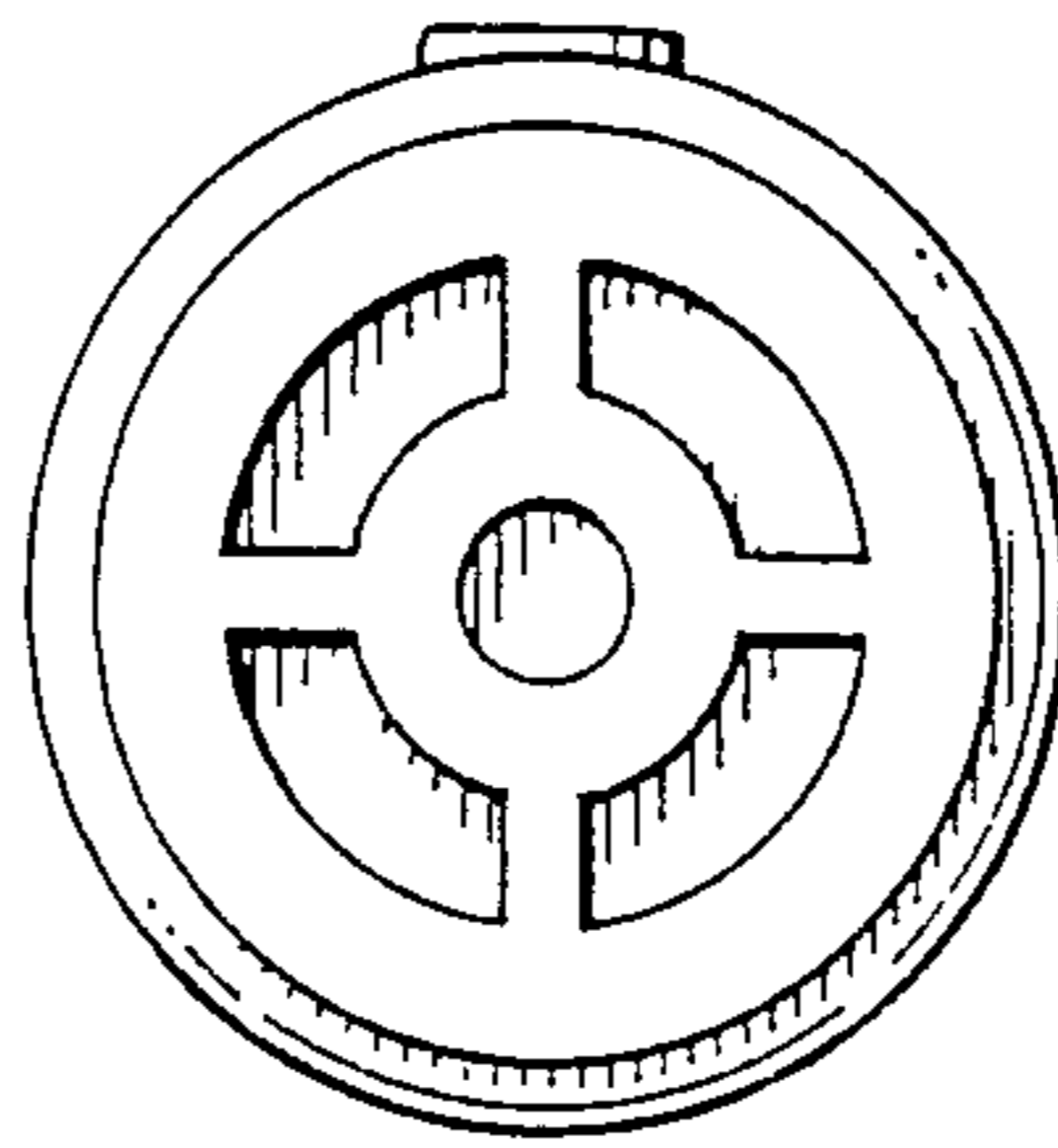


FIG. 6

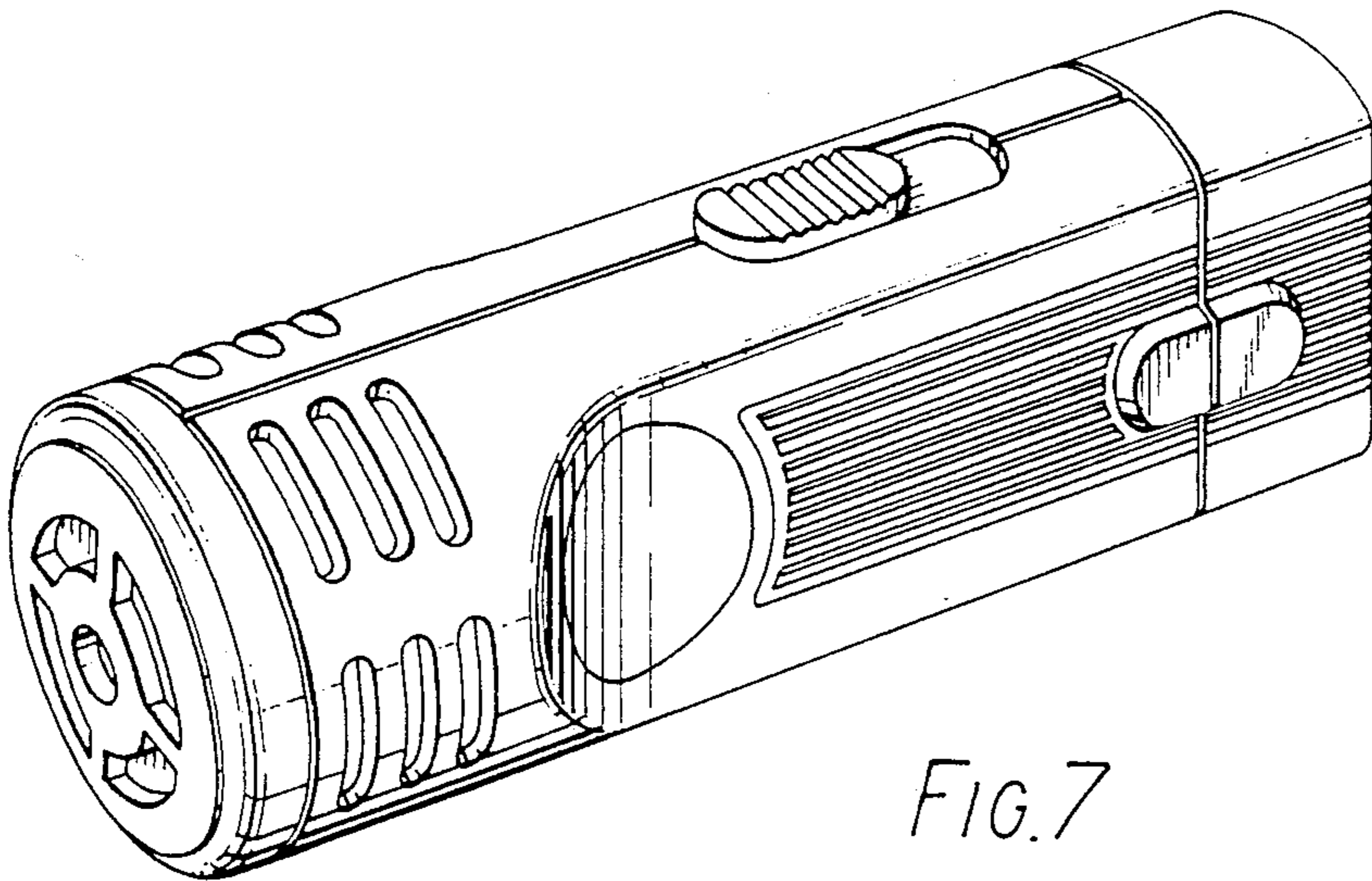


FIG. 7