

[54] **GOLF CLUB HEAD**

[76] **Inventor:** Anthony J. Antonious, 205 E. Joppa Rd., Towson, Md. 21204

[*] **Notice:** The portion of the term of this patent subsequent to Jan. 26, 2002 has been disclaimed.

[**] **Term:** 14 Years

[21] **Appl. No.:** 653,528

[22] **Filed:** Sep. 24, 1984

[52] **U.S. Cl.** D21/217

[58] **Field of Search** D21/217-219;
273/167-175, 163 R, 164, 77 R, 78

[56] **References Cited**

U.S. PATENT DOCUMENTS

D. 212,890 12/1968 Rose D21/217
D. 240,749 7/1976 Benson D21/219

OTHER PUBLICATIONS

Golf World, Jul. 13, 1979, p. 15, top right, "The Wishbone", Putter.

1971 Witter Gold Range Supply Co. Cat., p. 46, bottom, No. 1003, Flange Mallet Putter.

Primary Examiner—Melvin B. Feifer
Attorney, Agent, or Firm—N. J. Aquilino

[57] **CLAIM**

The ornamental design for a golf club head, as shown and described.

DESCRIPTION

FIG. 1 is a perspective view of the golf club head showing my new design.

FIG. 2 is a rear elevational view thereof with a broken line portion of a shaft shown for illustrative purposes only.

FIG. 3 is an end elevational view thereof.

FIG. 4 is a top plan view thereof.

FIG. 5 is an end elevational view taken from the opposite side of FIG. 3.

FIG. 6 is a bottom view thereof.

FIG. 7 is a front elevational view thereof.

The essential feature of my design resides in the particular shaped portion of the hosel formed of a solid wide triangular shaped member having an upright edge perpendicular to the top edge of the club head.

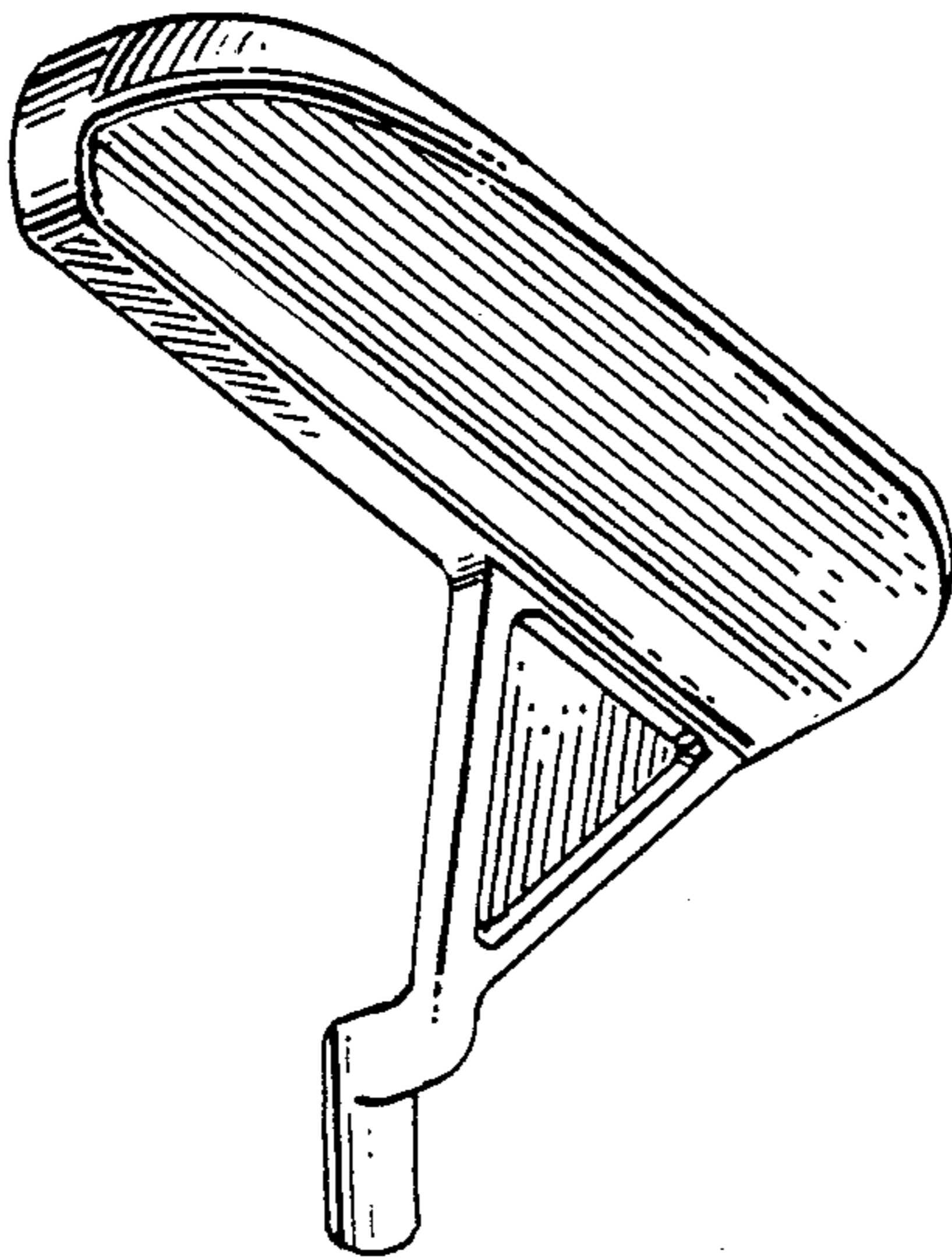


FIG. 1.

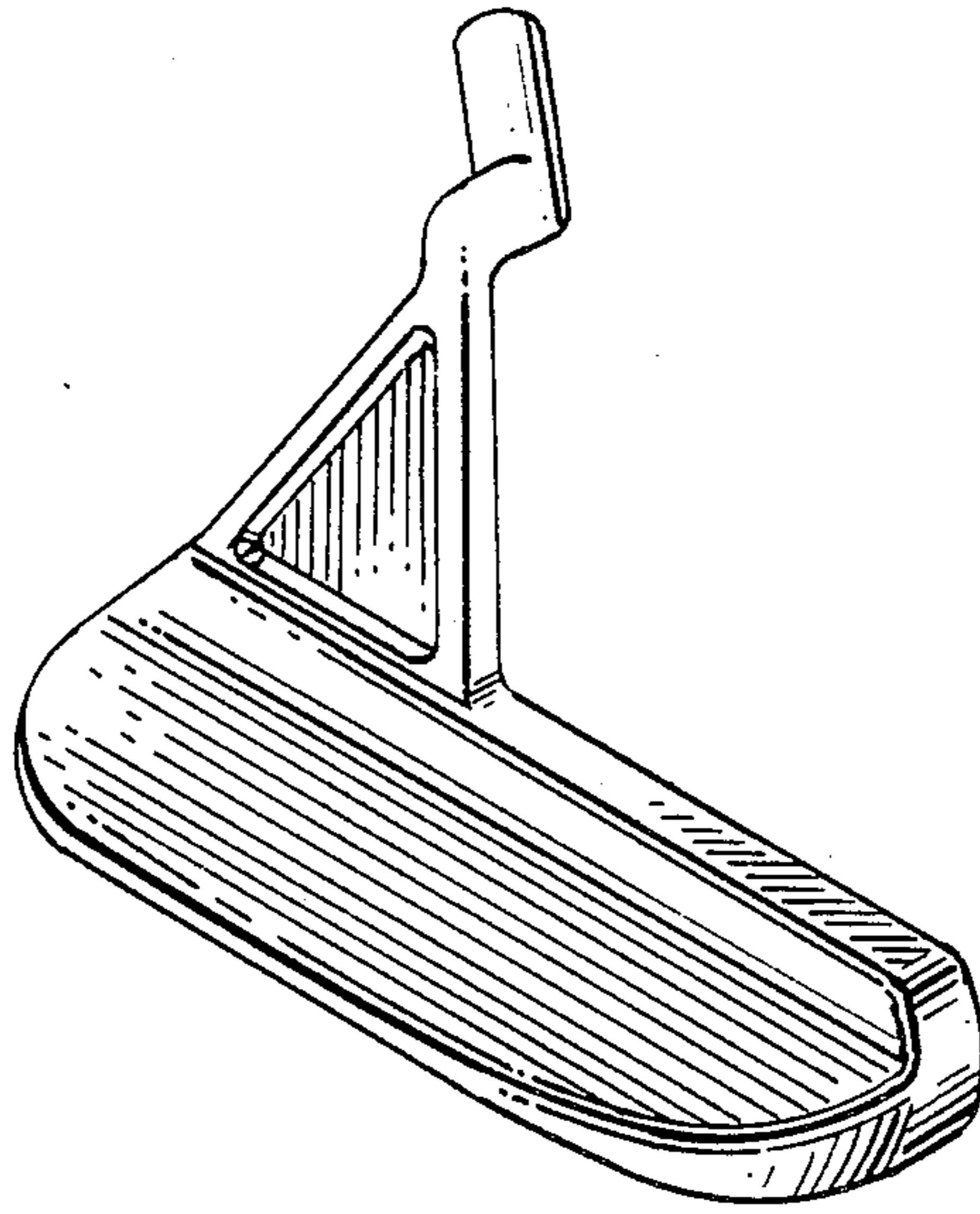


FIG. 2.

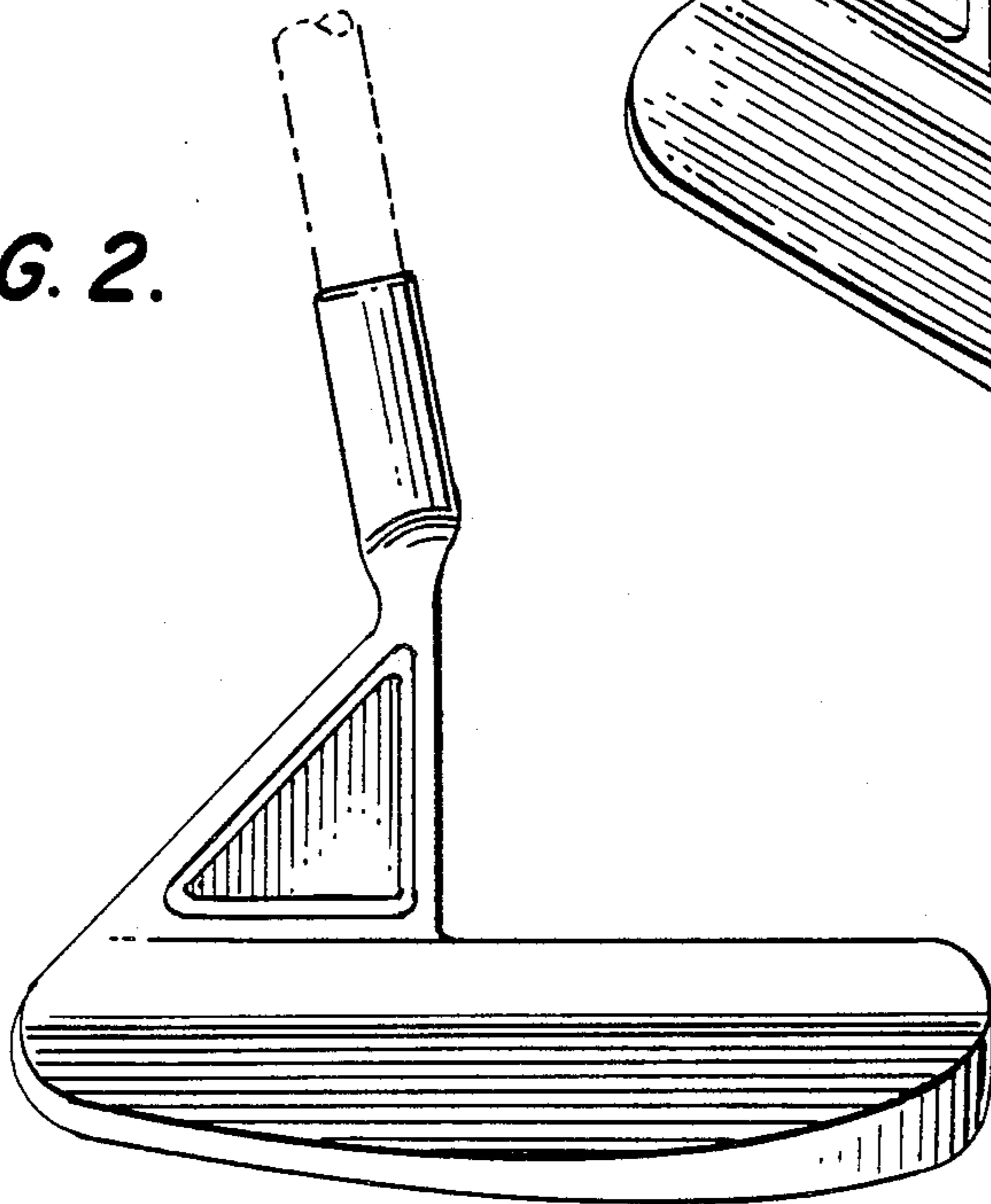


FIG. 3.

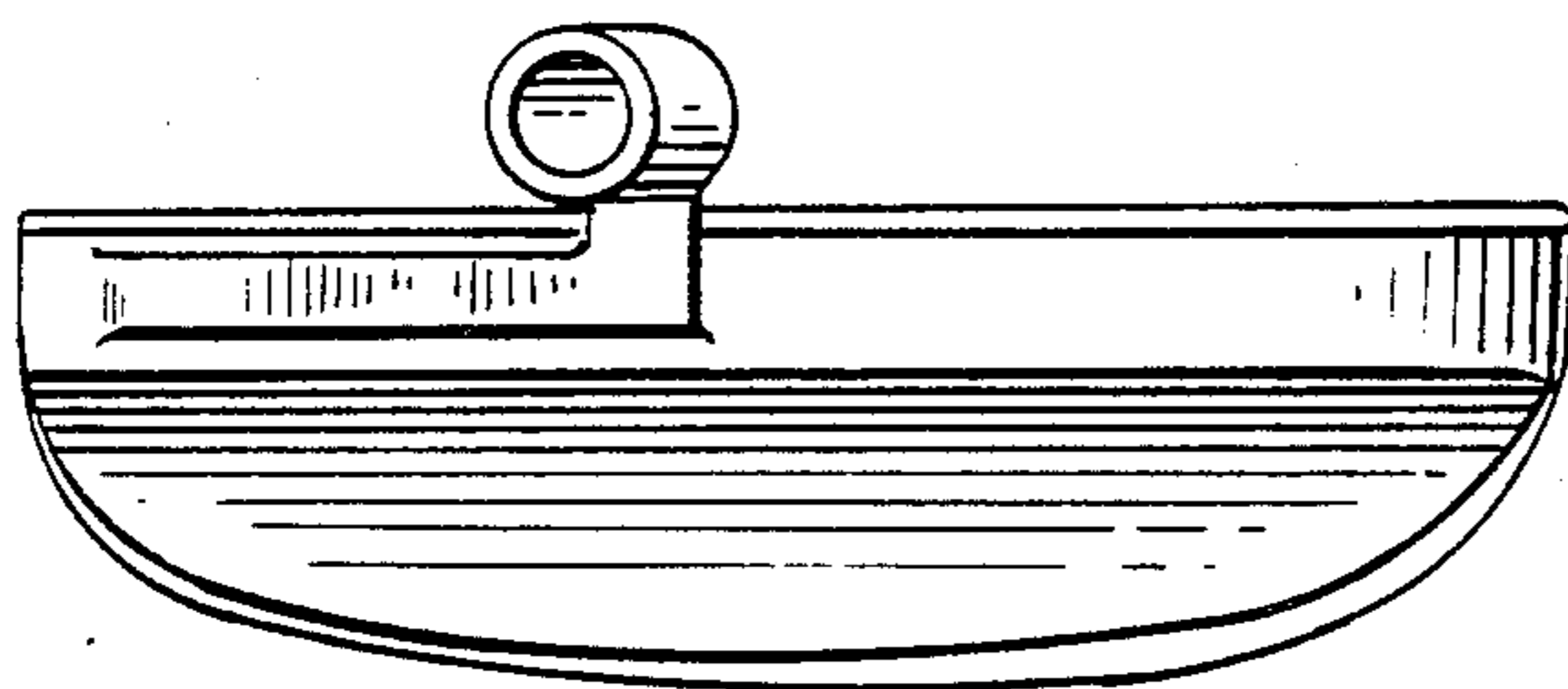
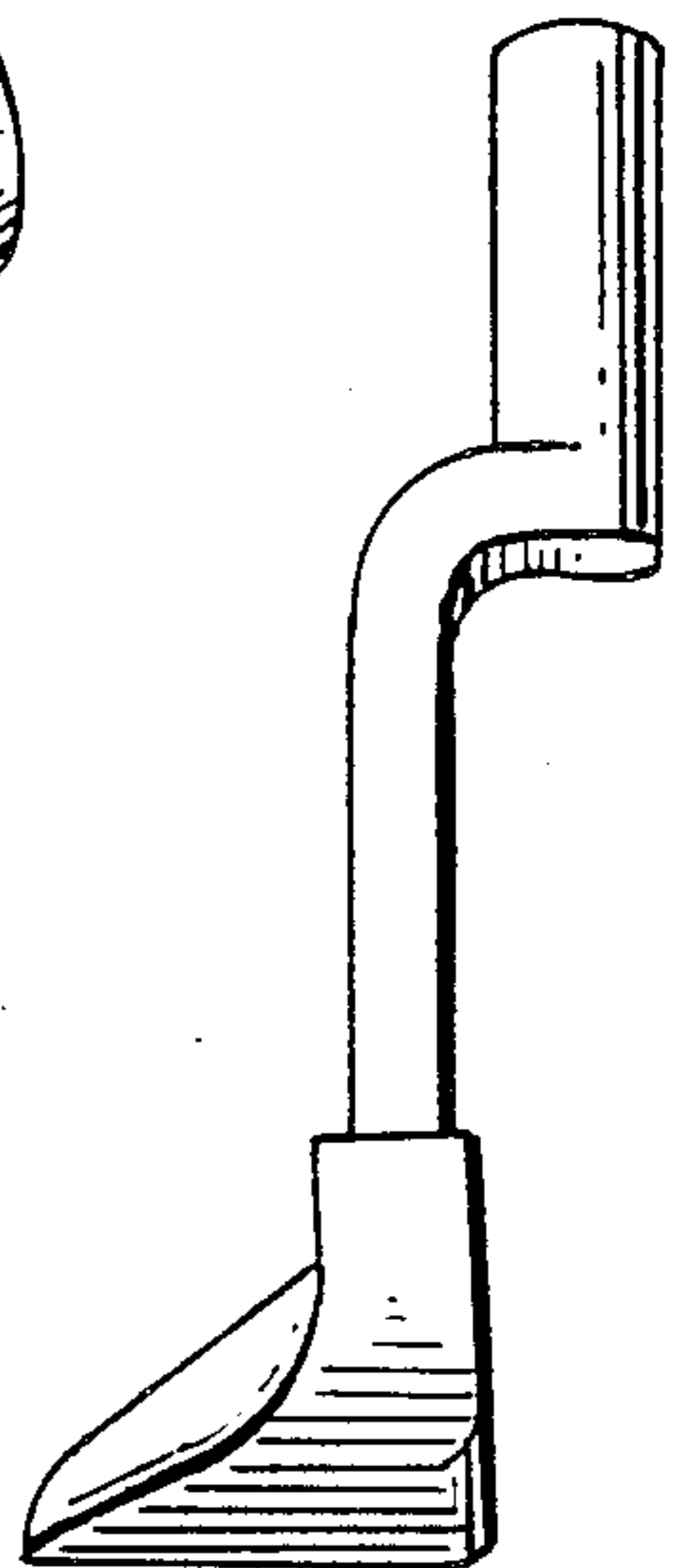


FIG. 4.

FIG. 5.

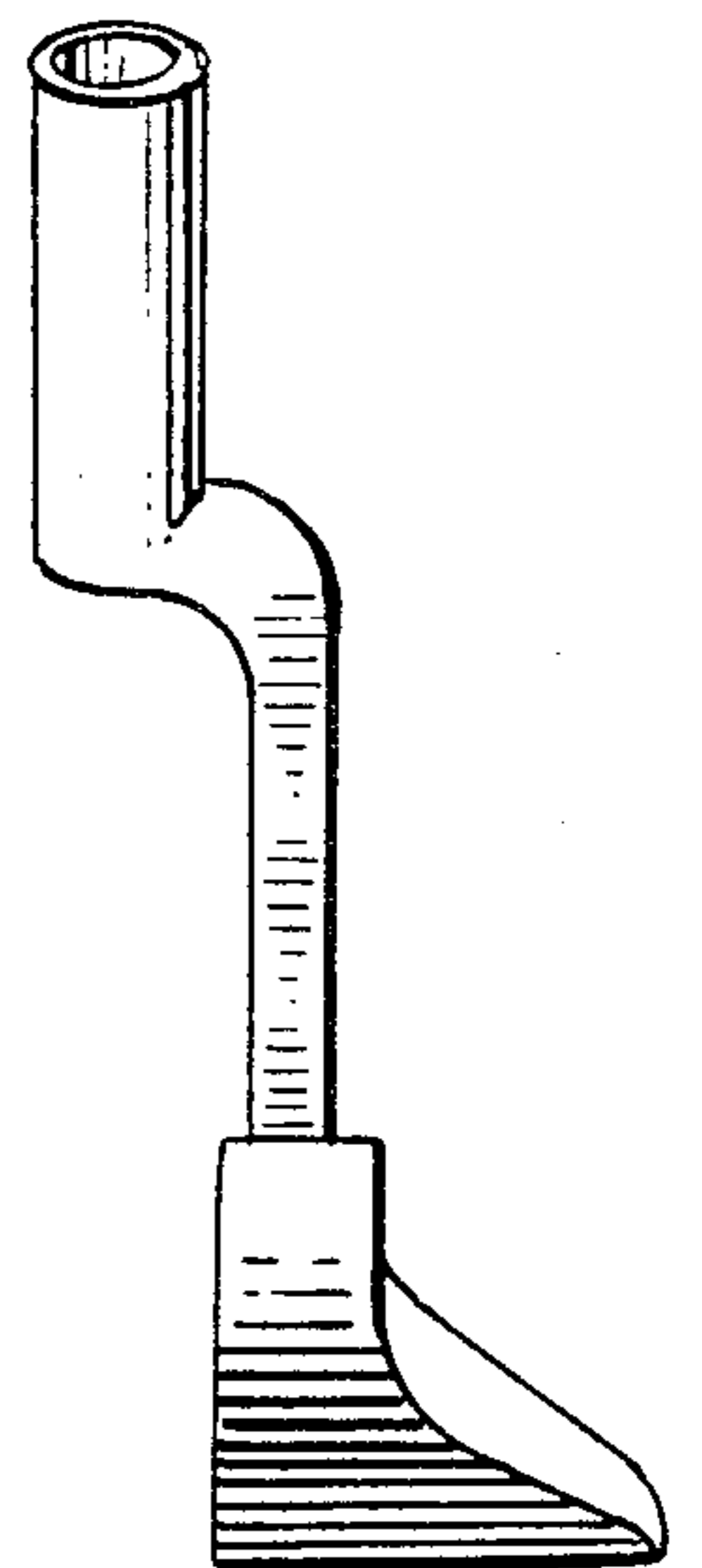


FIG. 6.

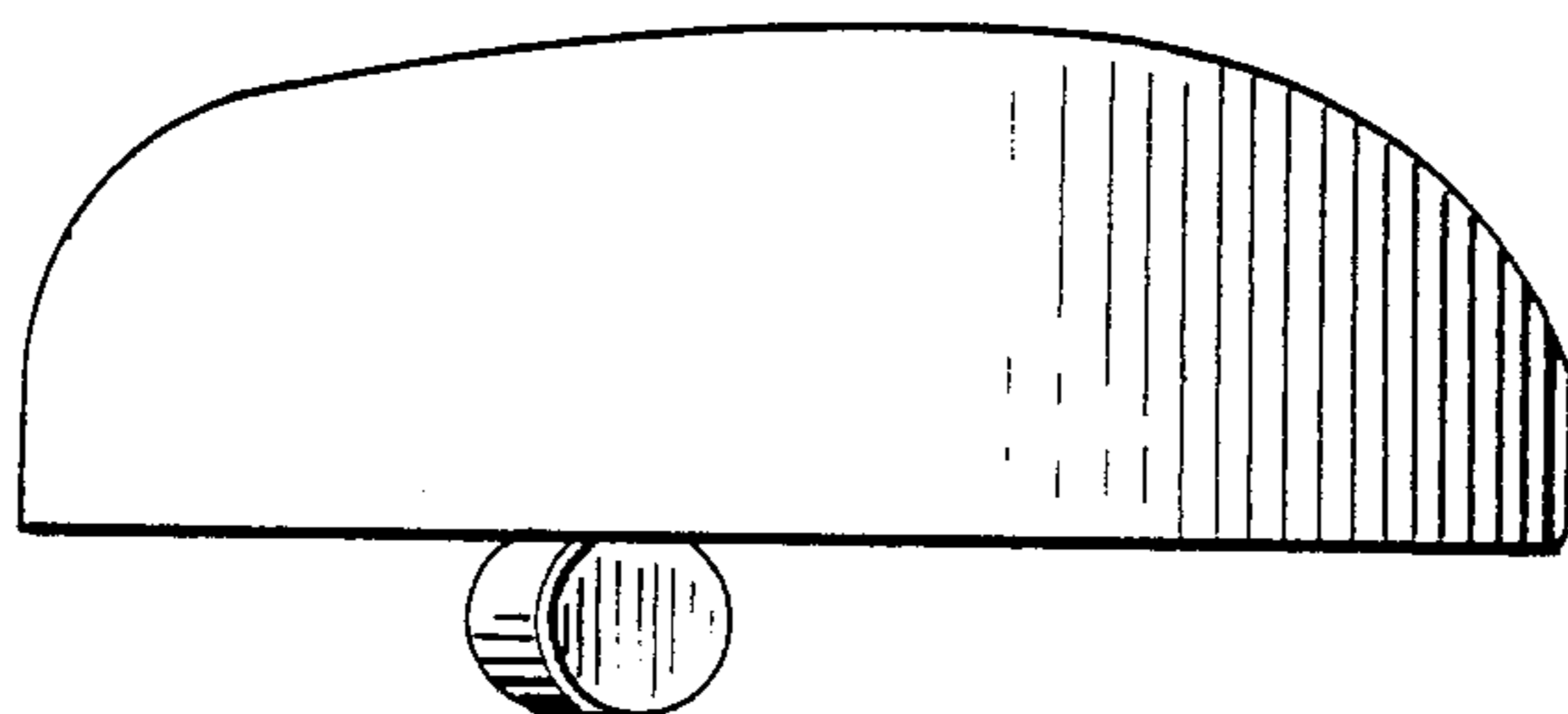


FIG. 7.

