

[54] **TOY ROBOTIC HUMANOID ASSEMBLY**

[75] **Inventor: Daishirou Shibukawa, Tokyo, Japan**

[73] **Assignee: Takara Co., Ltd., Tokyo, Japan**

[**] **Term: 14 Years**

[21] **Appl. No.: 806,186**

[22] **Filed: Nov. 22, 1985**

[30] **Foreign Application Priority Data**

Oct. 17, 1985 [JP] Japan 60-43228

[52] **U.S. Cl. D21/150; D21/166**

[58] **Field of Search D21/150, 128, 59, 166;
446/71, 72, 76, 77, 94, 97, 383, 381, 487**

[56] **References Cited**

U.S. PATENT DOCUMENTS

D. 272,752 2/1984 Boudreaux D21/87

D. 287,378 12/1986 Ohno D21/87

D. 288,342 2/1987 Ohno D21/166

D. 290,484 6/1987 Yoke D21/166

4,391,060 7/1983 Nakane 446/94

4,642,064 2/1987 Yoke 446/94

Primary Examiner—Charles A. Rademaker
Attorney, Agent, or Firm—Price, Gess & Ubell

[57] **CLAIM**

The ornamental design for a toy robotic humanoid assembly, substantially as shown and described.

DESCRIPTION

FIG. 1 is a front side perspective view of a toy robotic humanoid assembly showing my new design;
FIG. 2 is a front elevational view thereof;
FIG. 3 is a right side elevational view thereof;
FIG. 4 is a left side elevational view thereof;
FIG. 5 is a rear elevational view thereof;
FIG. 6 is a top plan view thereof; and
FIG. 7 is a bottom plan view thereof.

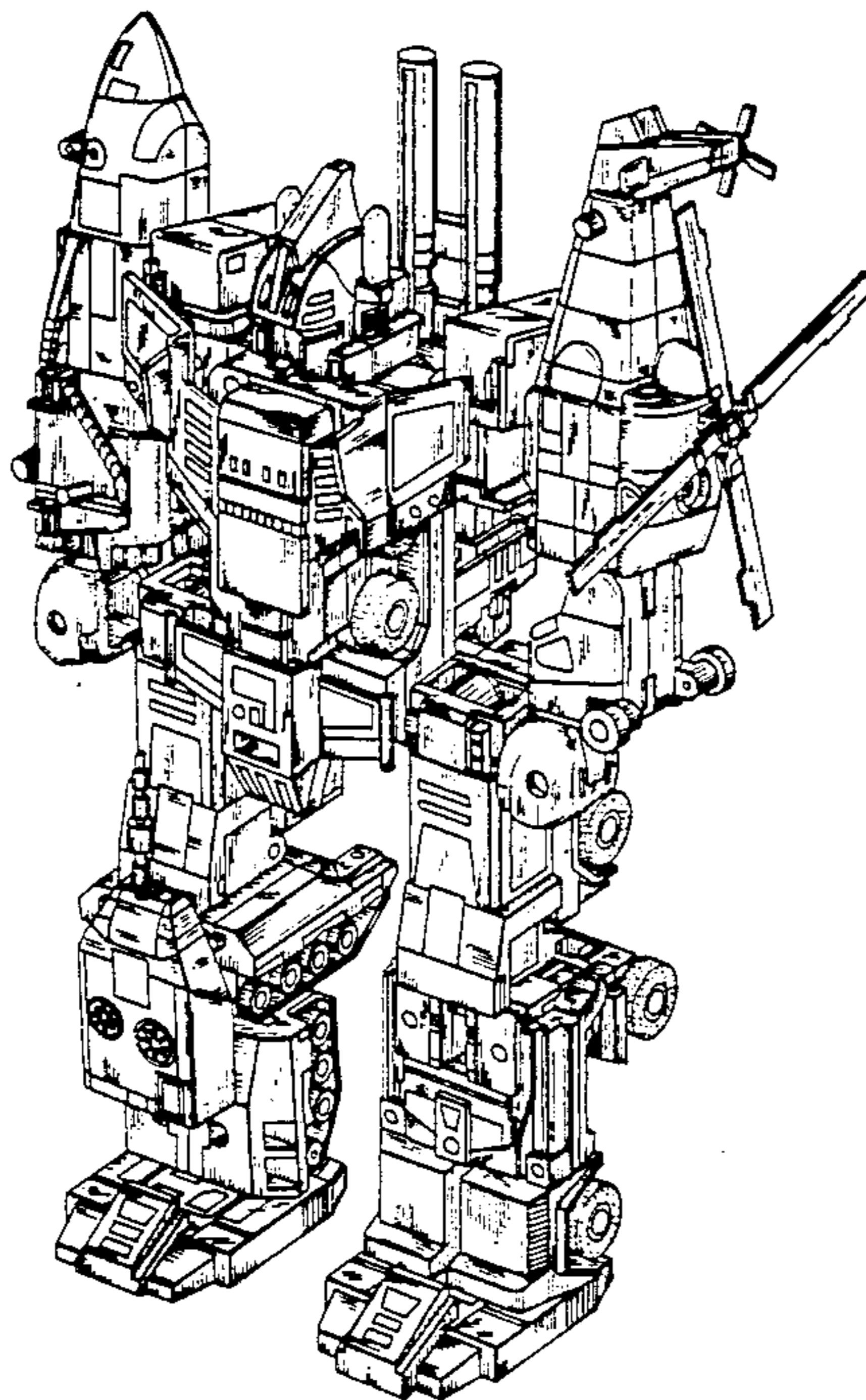


FIG. 1

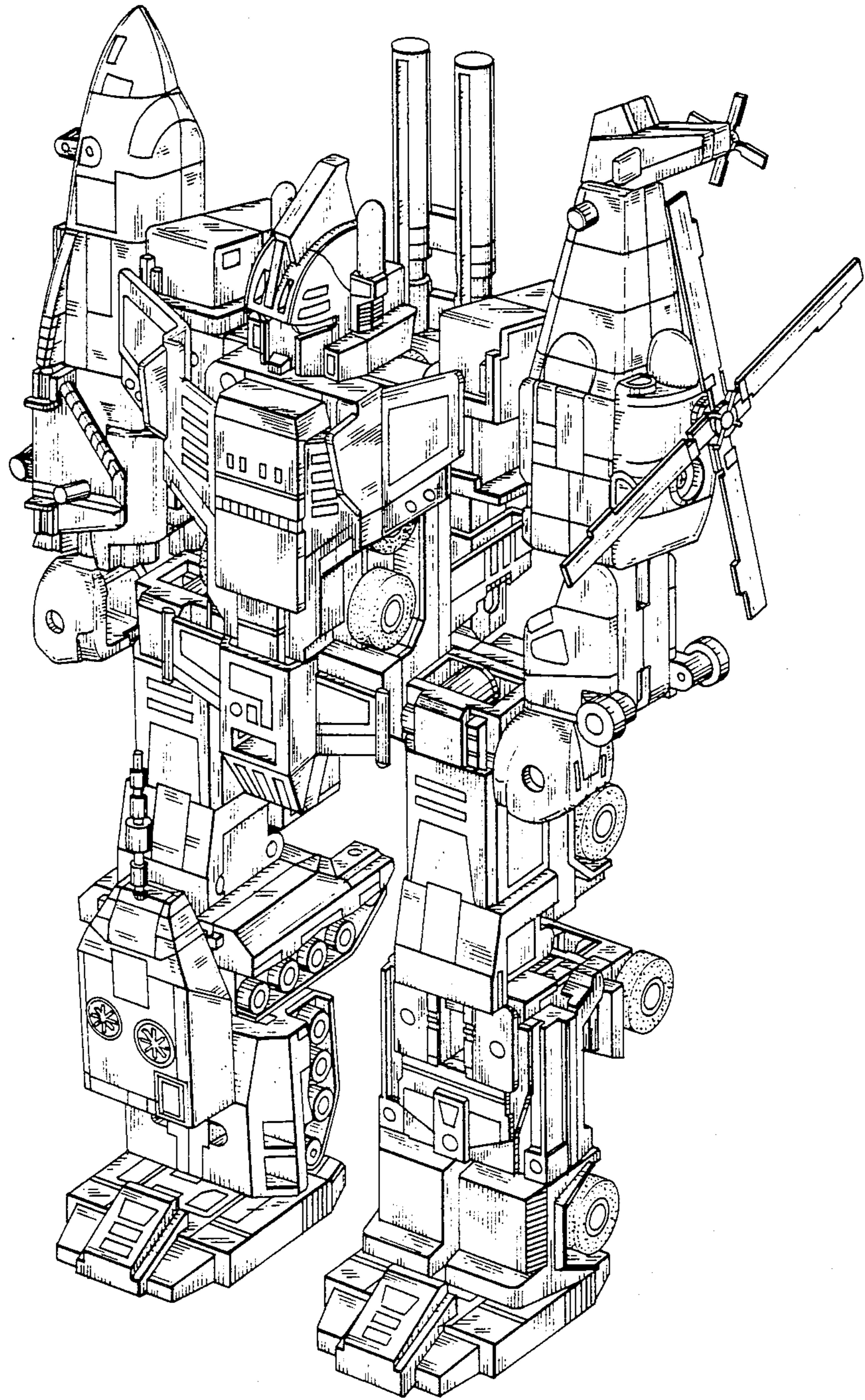


FIG. 2

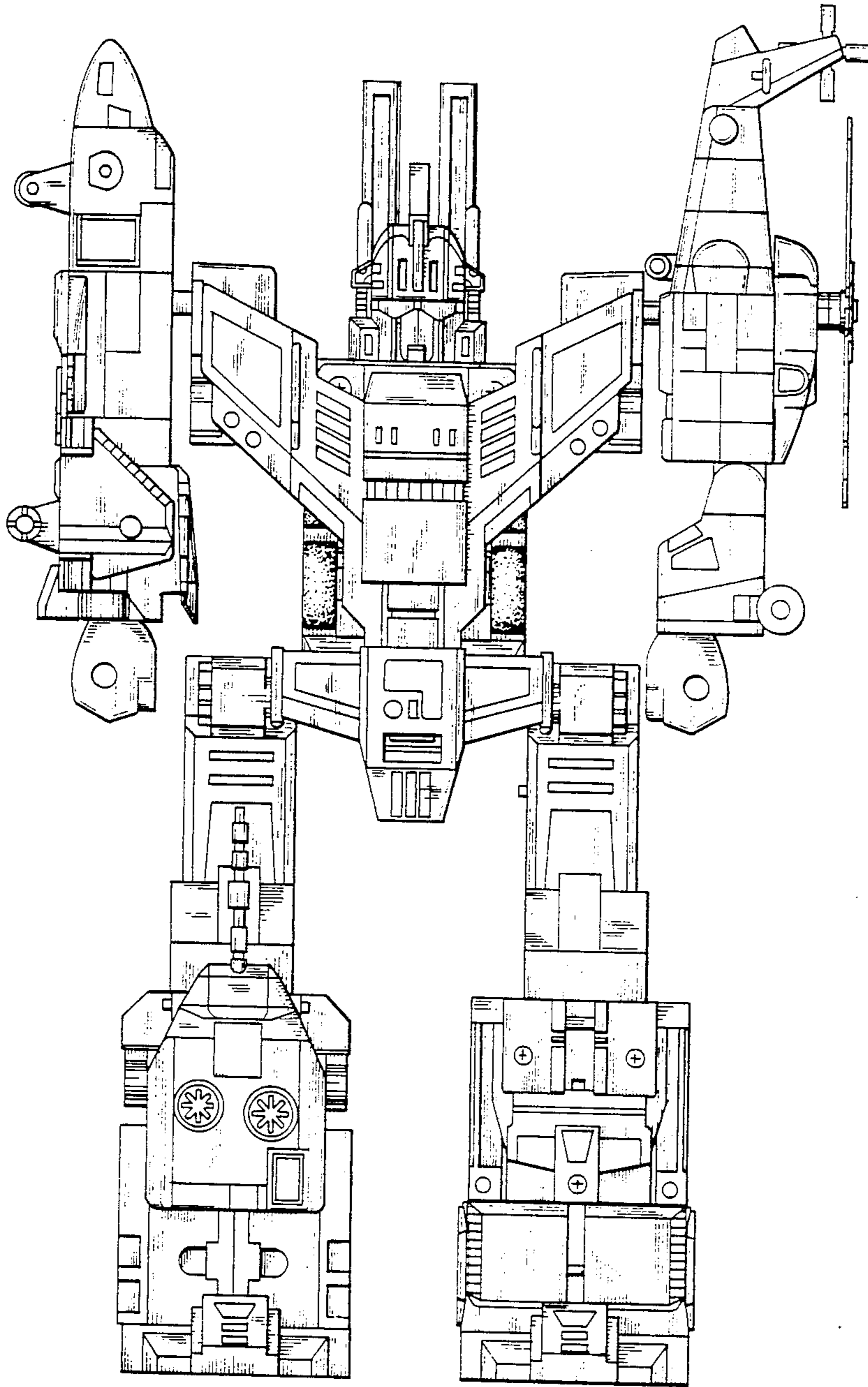


FIG. 3

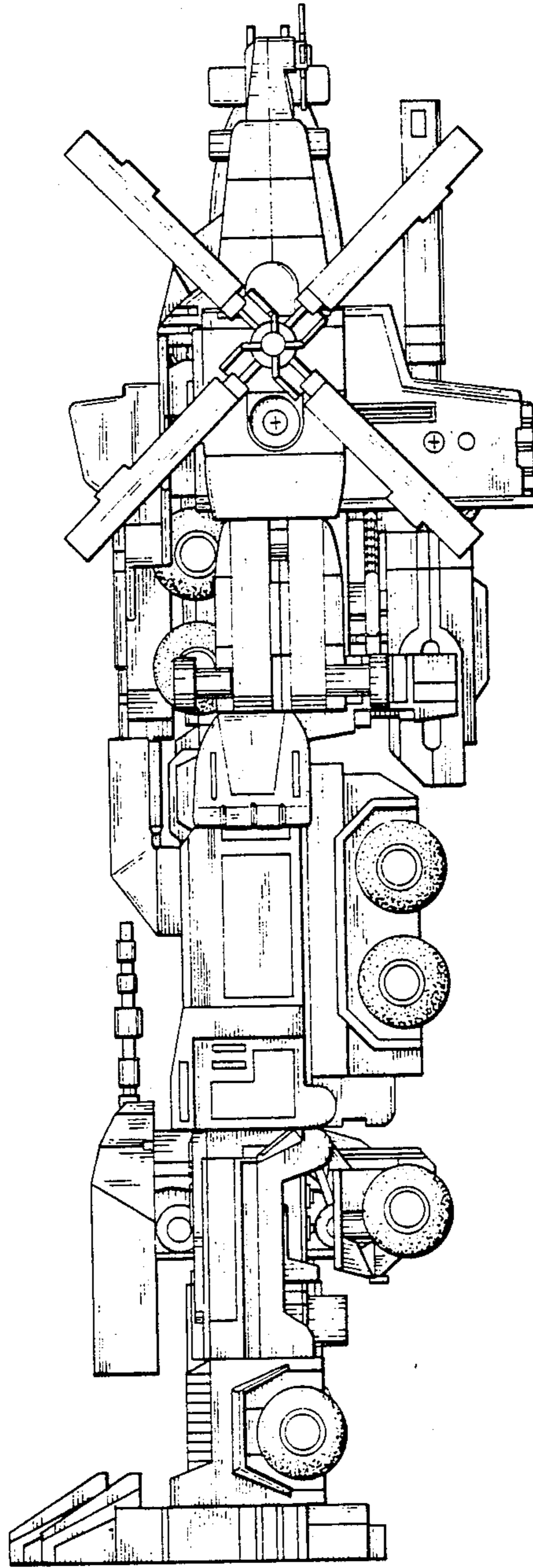


FIG. 4

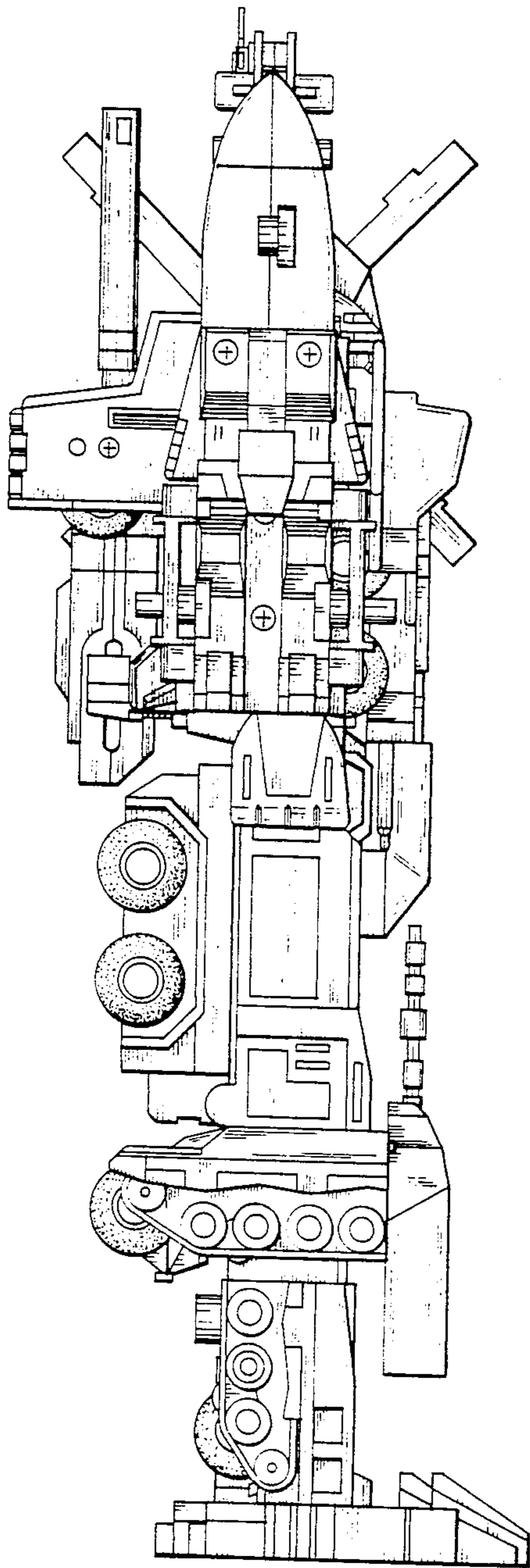


FIG. 5

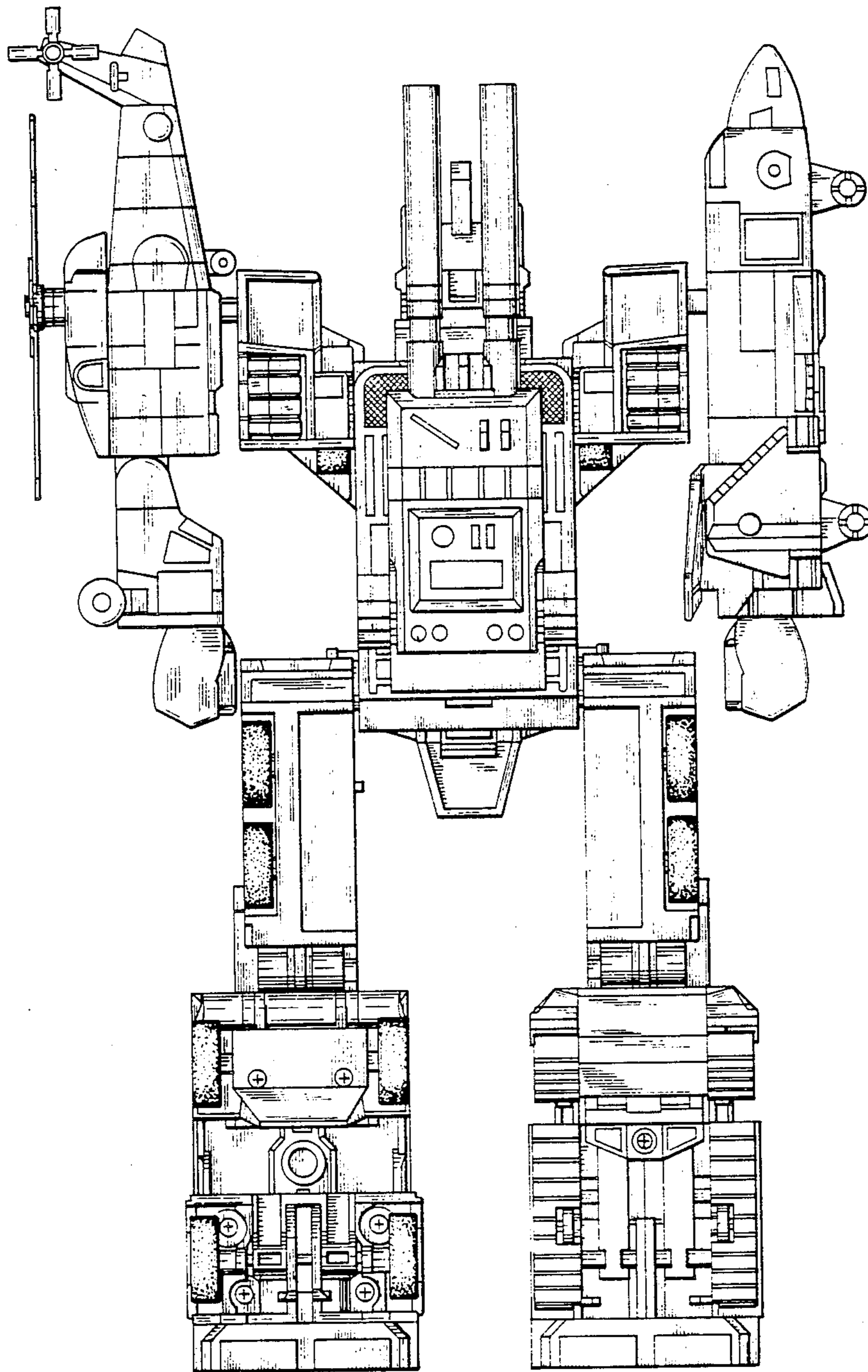


FIG. 6

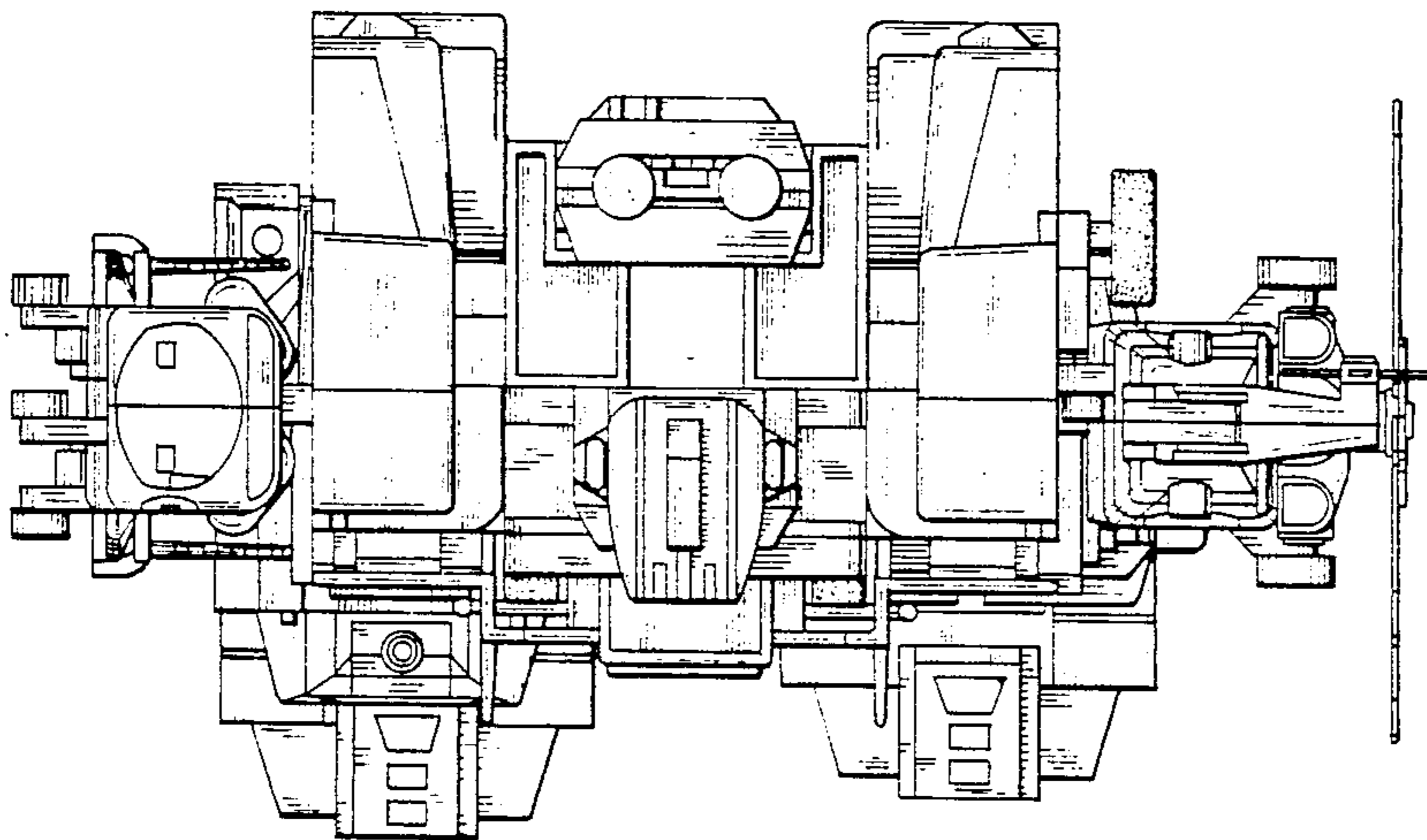


FIG. 7

