

[54] **TOY BOAT**

[56]

References Cited

U.S. PATENT DOCUMENTS

D. 62,518	6/1923	Clark	D21/130
D. 79,315	8/1929	Marshall	D21/130
D. 160,499	10/1950	Hughes	D21/130
D. 258,071	1/1981	Walker	D21/130
D. 285,588	9/1986	Kushner	D21/130

Primary Examiner—Charles A. Rademaker
Attorney, Agent, or Firm—McCormick, Paulding & Huber

[57]

CLAIM

The ornamental design for toy boat, as shown and described.

DESCRIPTION

FIG. 1 is a front elevational view of a toy boat showing my new design;
FIG. 2 is a rear elevational view thereof;
FIG. 3 is a top plan view thereof;
FIG. 4 is a bottom plan view thereof; and,
FIG. 5 is a side elevational view thereof, the side opposite being a mirror image.

[75] **Inventor: Norman R. Emms, Weywyn Garden City, England**

[73] **Assignee: Hestair Kiddicraft Limited, Surrey, England**

[**] **Term: 14 Years**

[21] **Appl. No.: 695,436**

[22] **Filed: Jan. 28, 1985**

[30] **Foreign Application Priority Data**

May 10, 1984 [GB] United Kingdom 1022459

[52] **U.S. Cl. D21/130**

[58] **Field of Search D21/130; 446/153, 155, 446/160, 163, 164**

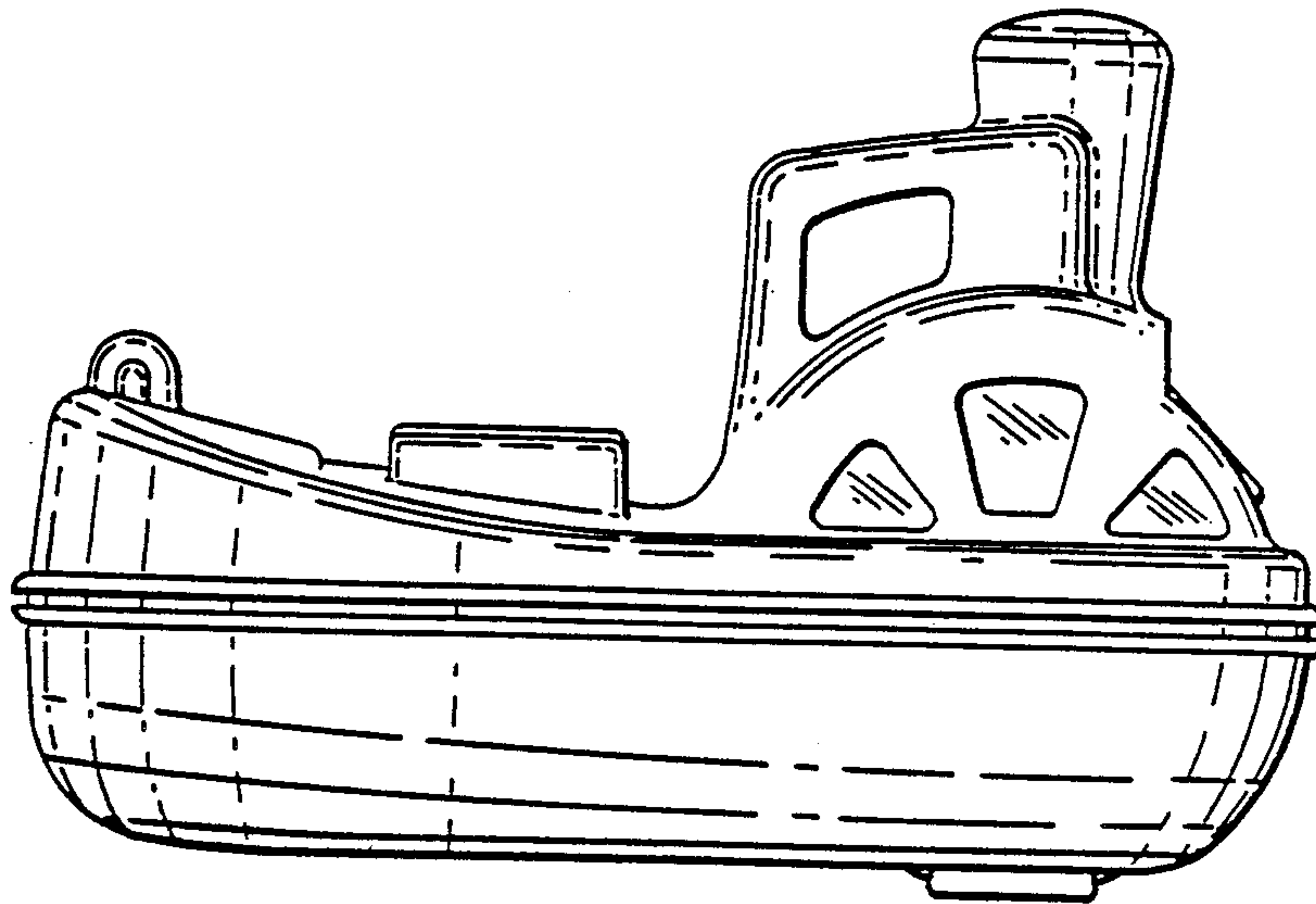


FIG.1

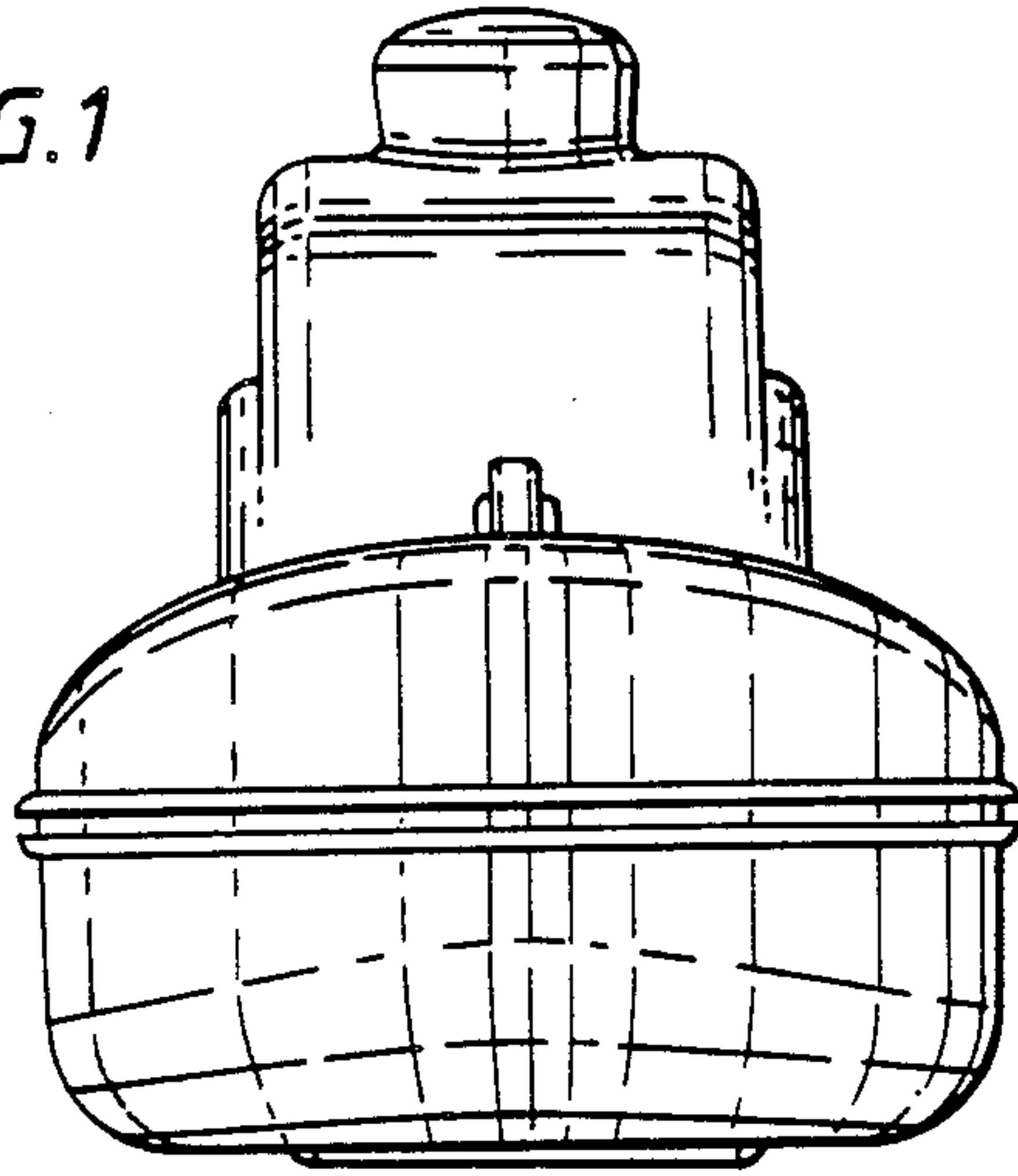


FIG.2

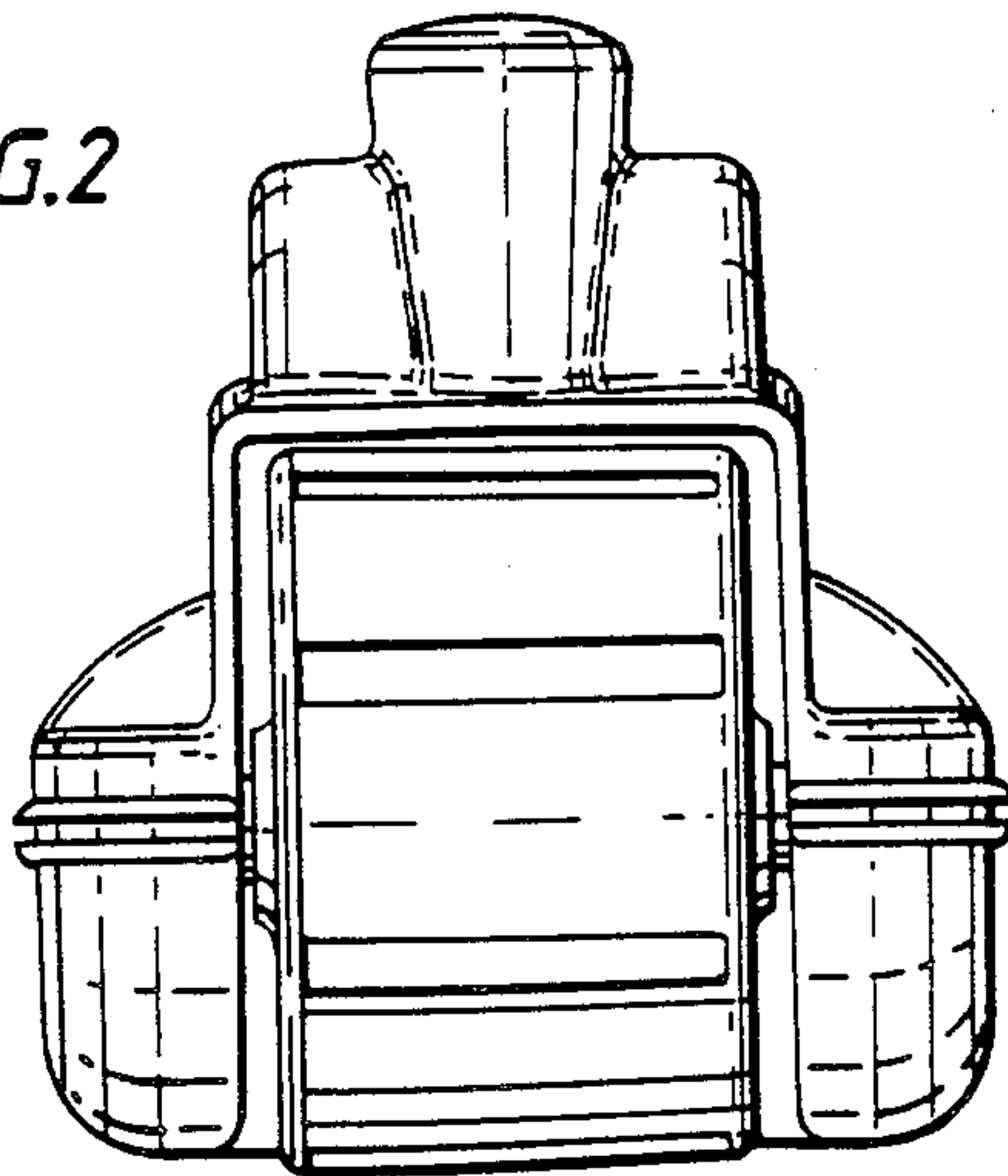


FIG. 3

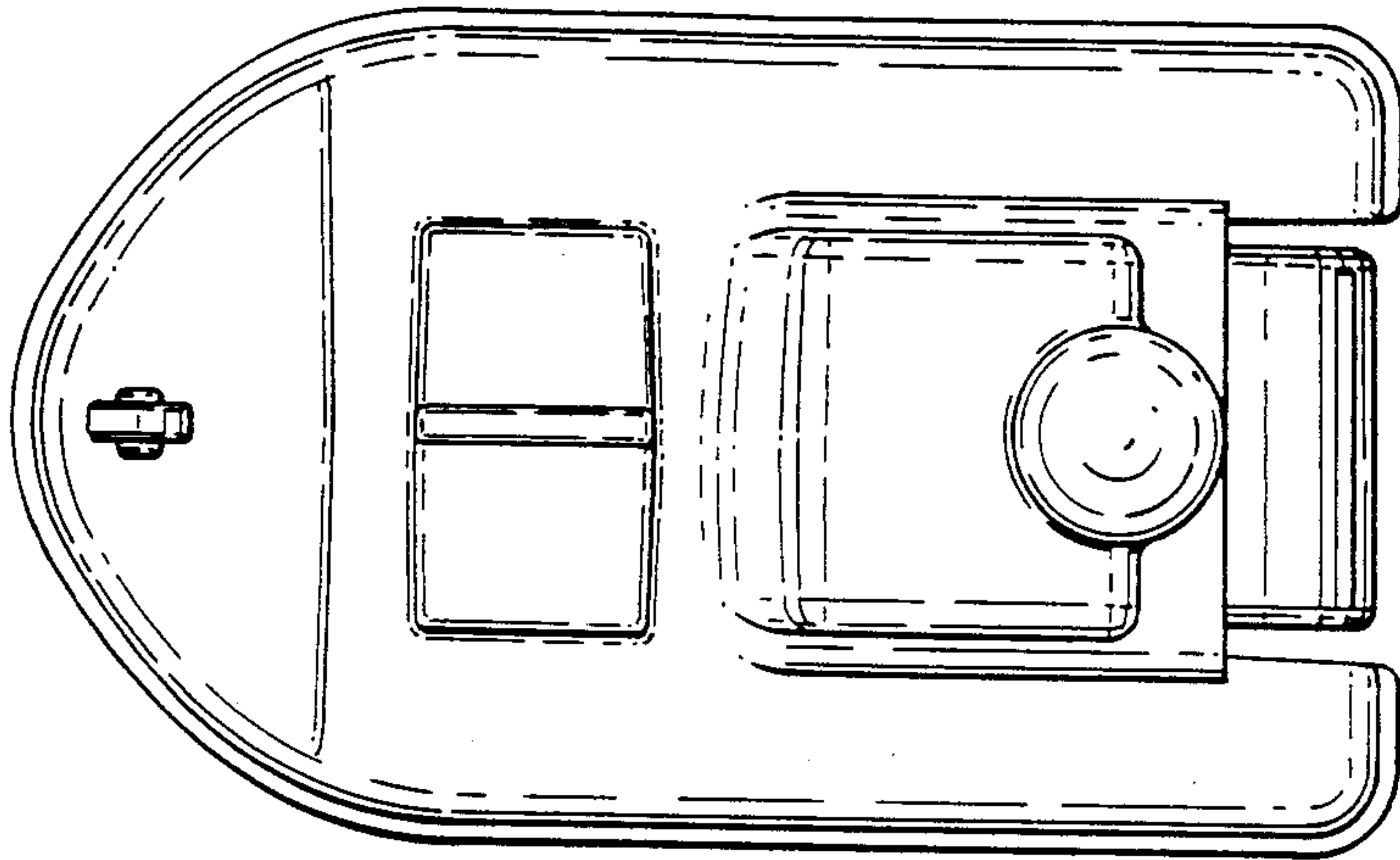


FIG. 4

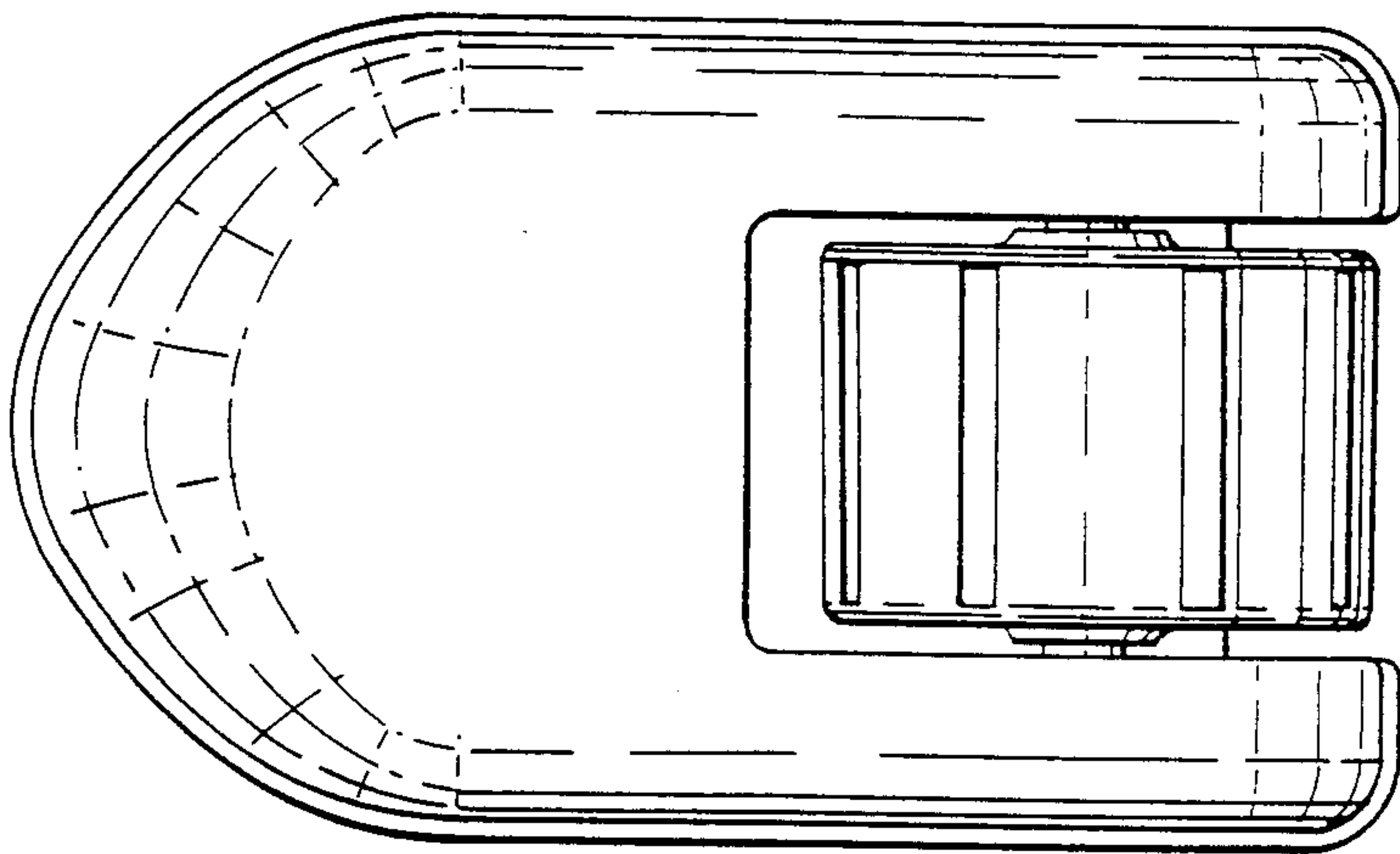


FIG. 5

