

[54] TOY WAGON

[76] Inventor: Charles K. Jewett, 6557 Elizabeth St.,
Cass City, Mich. 48726

[**] Term: 14 Years

[21] Appl. No.: 723,355

[22] Filed: Apr. 15, 1985

[52] U.S. Cl. D21/128

[58] Field of Search D21/71, 73, 76, 78,
D21/77, 79, 80, 128, 131, 132, 134, 135, 136,
137, 140, 141; D12/99, 17-19; 280/1.11 R,
1.193; 446/465, 466, 468, 470, 474; D6/403,
404, 405

[56] References Cited

U.S. PATENT DOCUMENTS

- D. 21,420 3/1858. Ward D12/18
D. 22,470 5/1859 Rickards D12/18
D. 32,368 3/1860 Schneider D12/18

- D. 77,945 3/1868 Dower .
D. 172,876 8/1954 Goldman .
D. 203,656 2/1966 Santine .
D. 218,561 9/1970 Benton .
D. 285,755 9/1986 Mens D21/134
D. 286,107 10/1986 Mens D21/134
D. 286,475 11/1986 Mens D21/134

Primary Examiner—Charles A. Rademaker
Attorney, Agent, or Firm—W. C. Tupman

[57] CLAIM

The ornamental design for a toy wagon, as shown and described.

DESCRIPTION

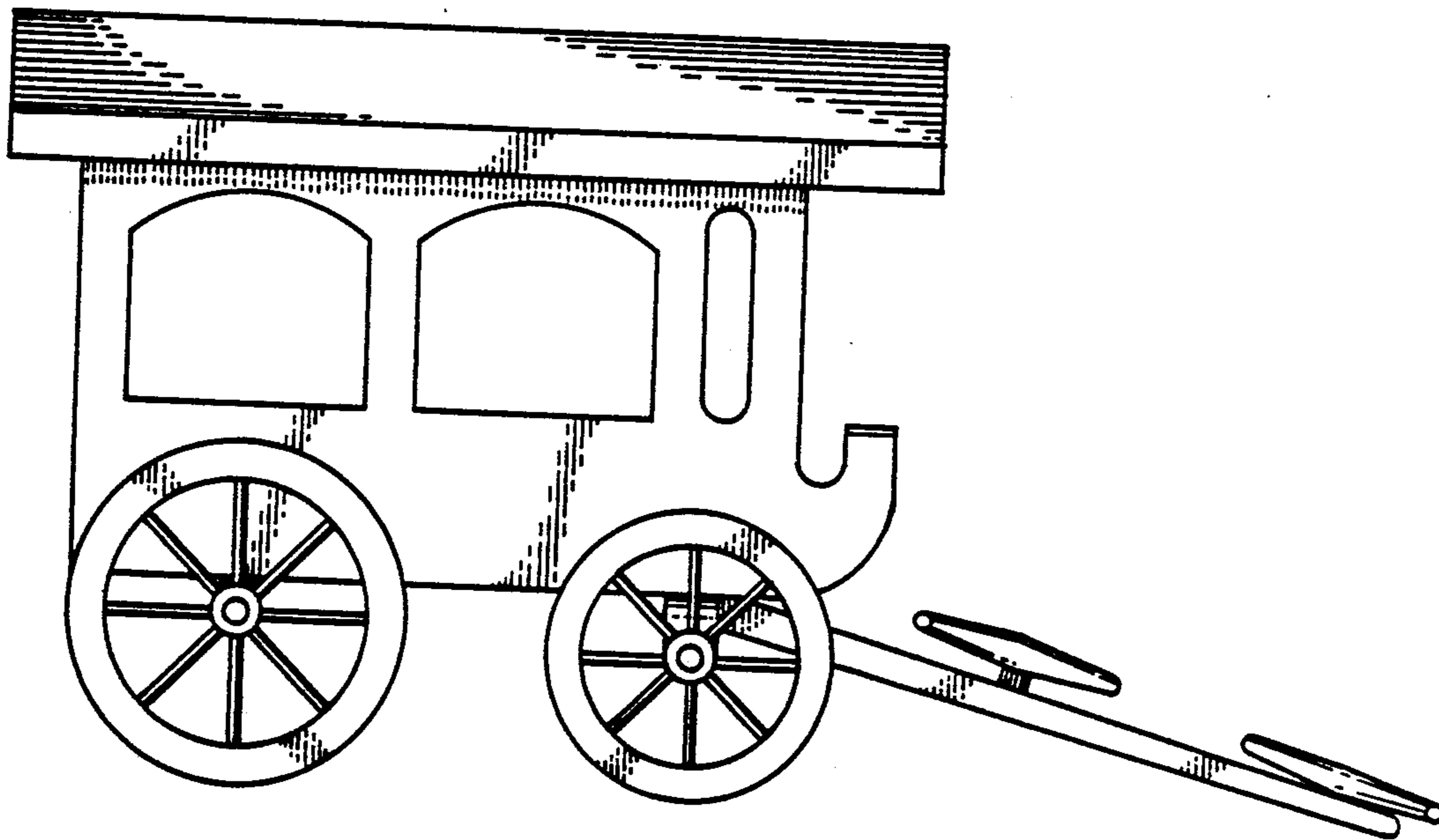
FIG. 1 is a side elevational view of a toy wagon showing my new design, the side opposite being substantially a mirror image;

FIG. 2 is a rear elevational view thereof;

FIG. 3 is a top plan view thereof;

FIG. 4 is a bottom plan view thereof; and

FIG. 5 is a front elevational view thereof.



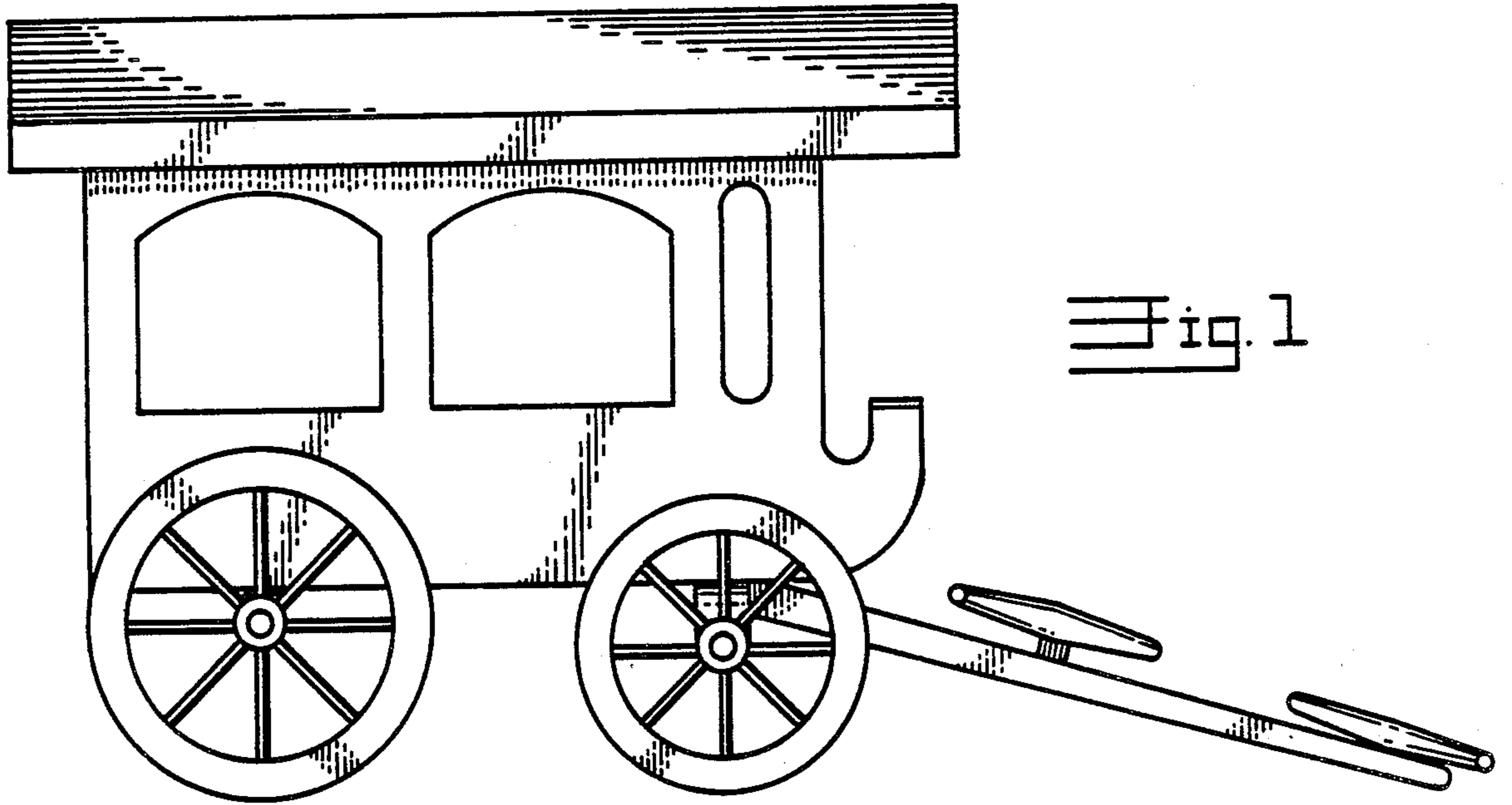


Fig. 1

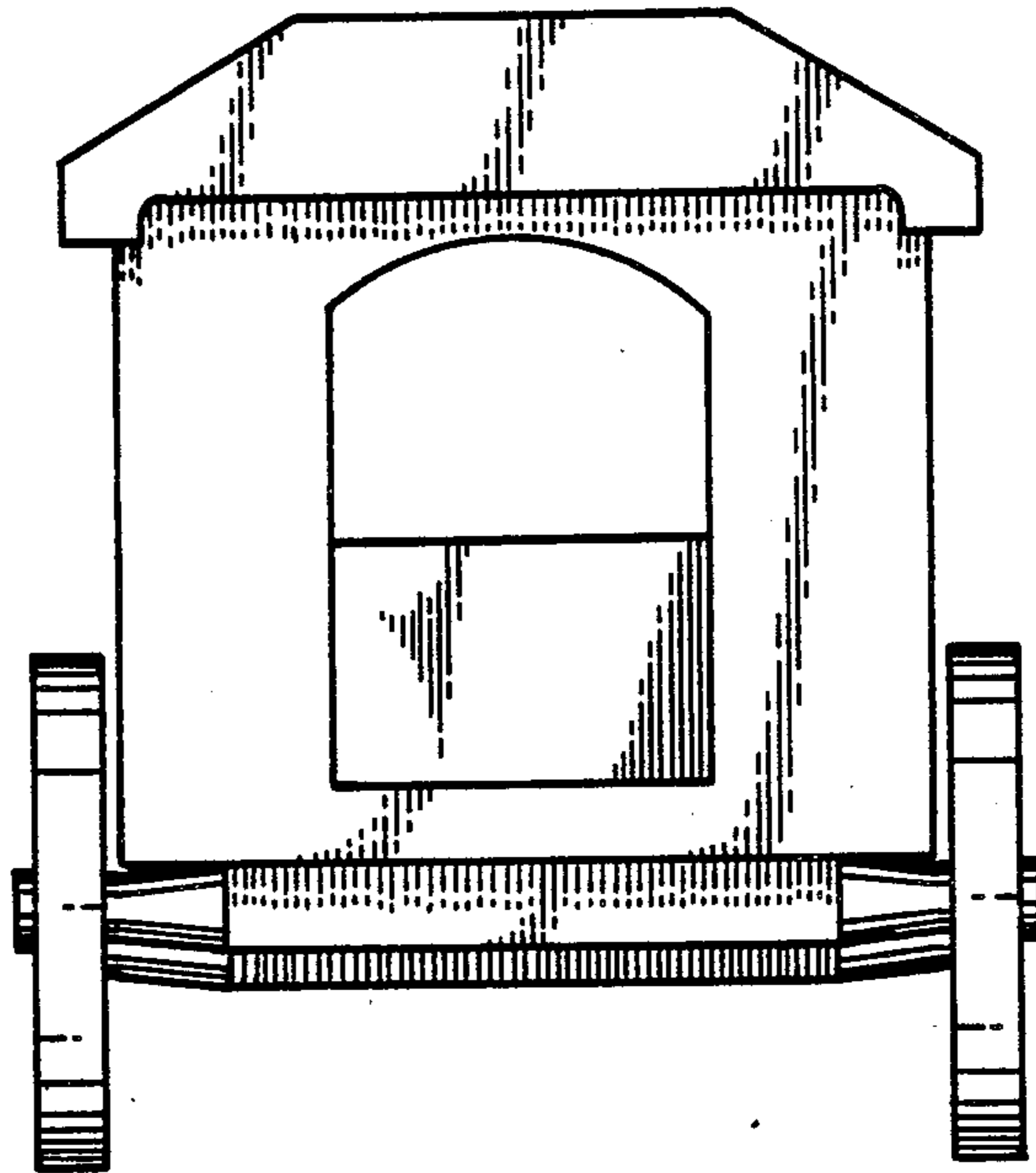


Fig. 2

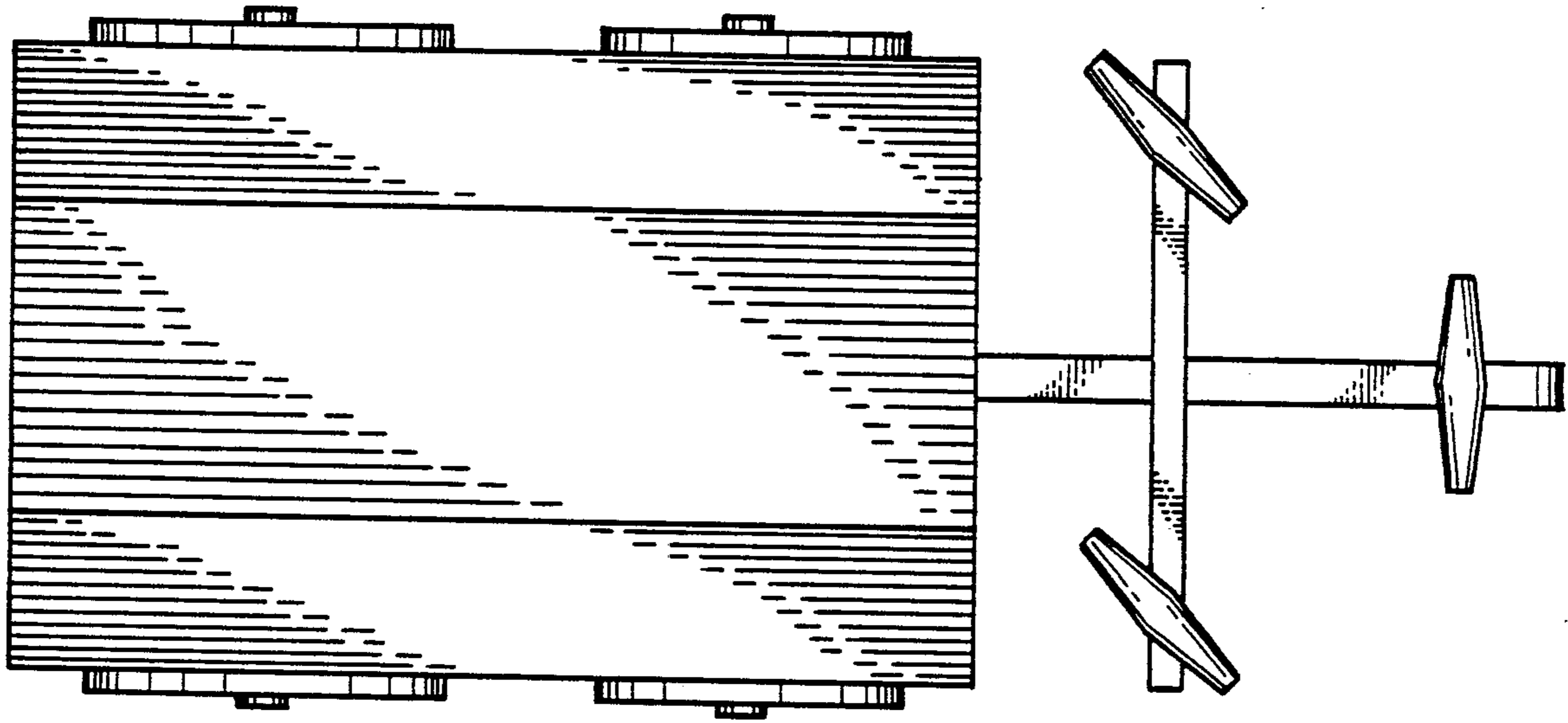


Fig. 3

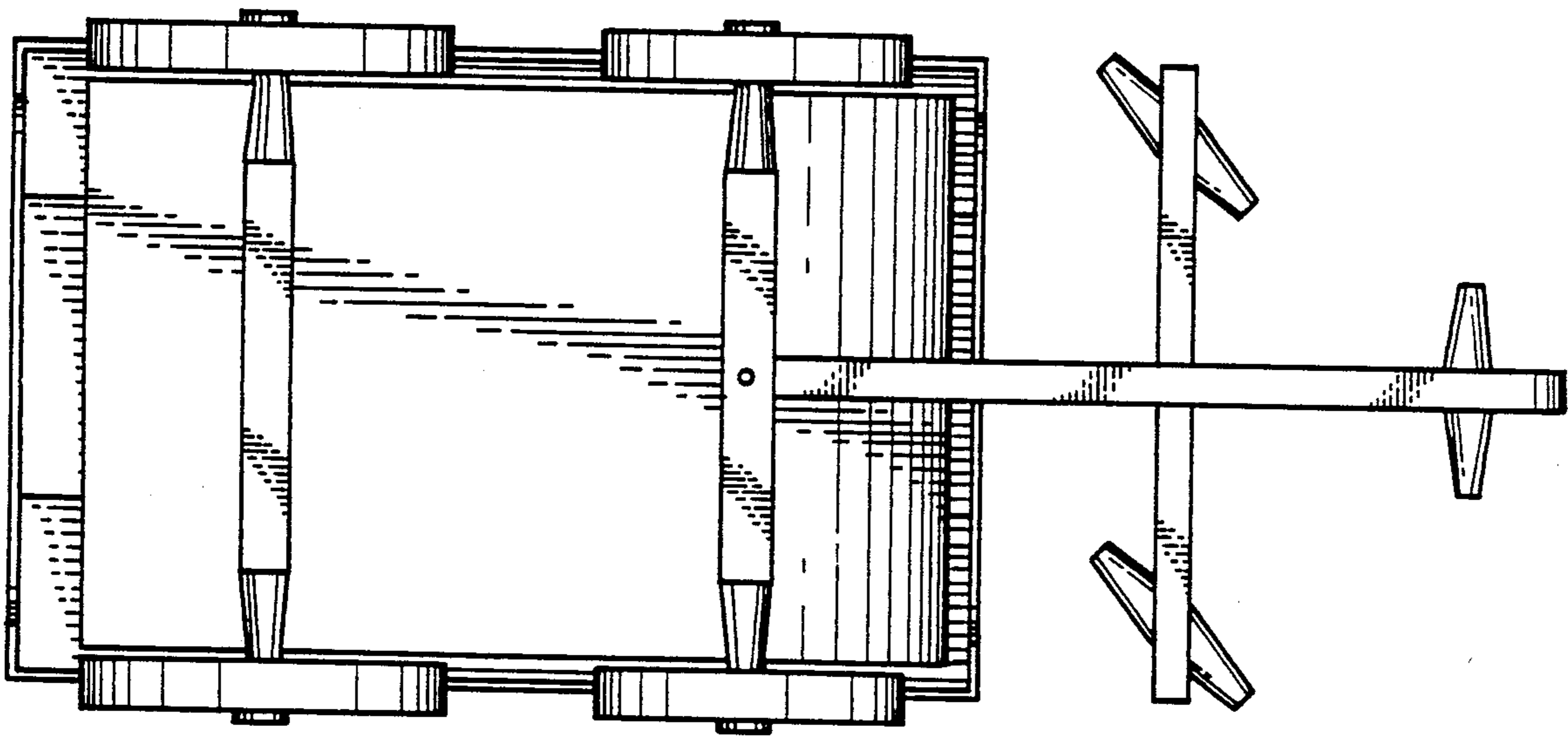


Fig. 4

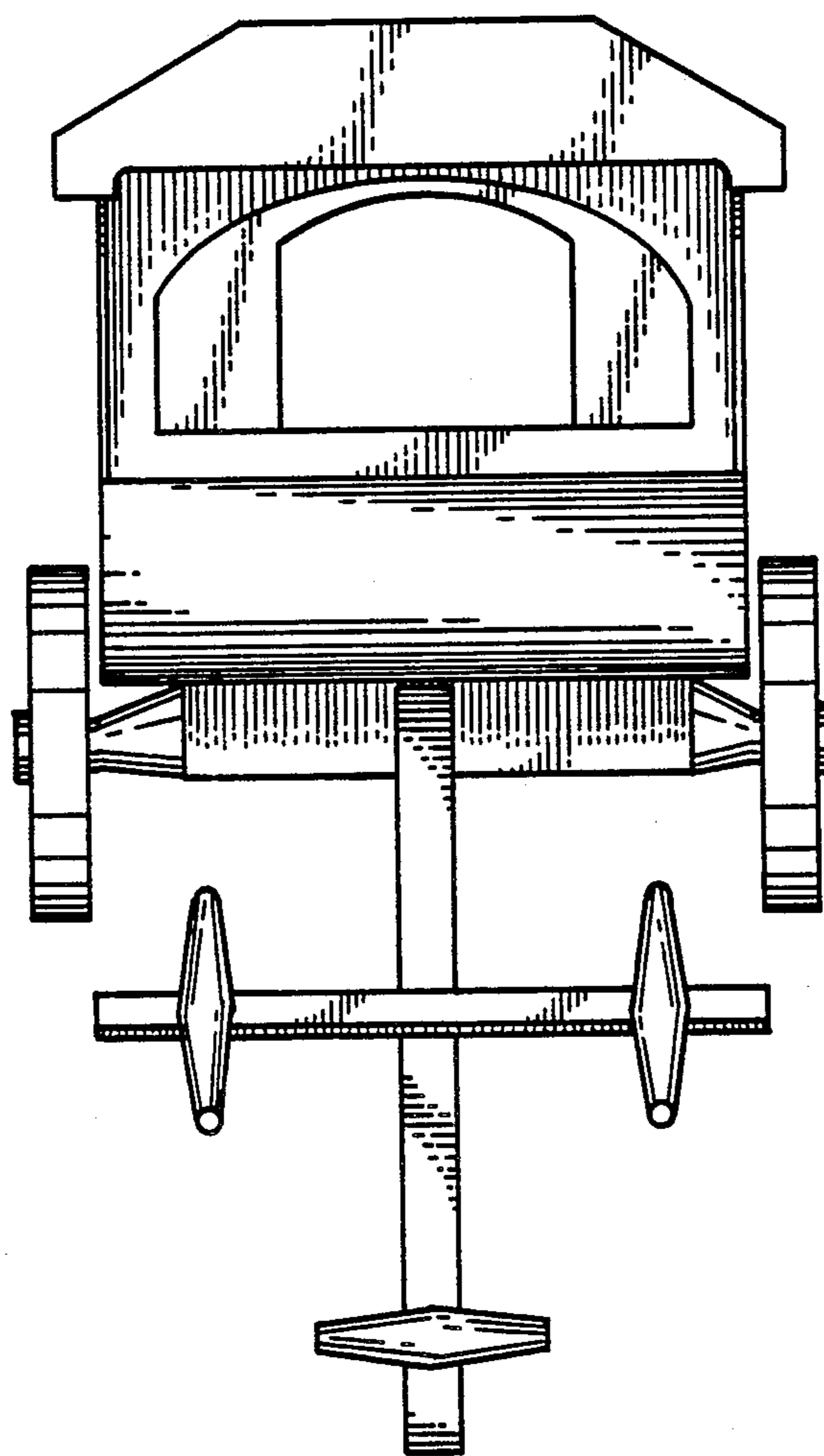


Fig. 5