

[54] TOY BASKET

[75] Inventor: Christine M. Zinter-Chahin, Orchard Park, N.Y.

[73] Assignee: The Quaker Oats Company, Chicago, Ill.

[**] Term: 14 Years

[21] Appl. No.: 782,913

[22] Filed: Oct. 2, 1985

[52] U.S. Cl. D21/109

[58] Field of Search D21/59, 109, 120; 434/260; 446/479, 481, 482, 491; D32/53; D3/30.1; D34/44, 43, 40

[56] References Cited

U.S. PATENT DOCUMENTS

- D. 55,055 5/1920 Kirchen D34/44
- D. 193,314 7/1962 Mangold D34/44
- D. 286,658 11/1986 Veness D21/109
- D. 289,186 4/1987 Thomson et al. D21/109

Primary Examiner—Charles A. Rademaker
Attorney, Agent, or Firm—Cumpston & Shaw

[57] CLAIM

The ornamental design for a toy basket, substantially as shown and described.

DESCRIPTION

FIG. 1 is a left-side elevational view of a toy basket showing my new design, the right side is substantially identical image;

FIG. 2 is a top plan view thereof;

FIG. 3 is a front elevational view thereof, the rear elevation being substantially a mirror image; and,

FIG. 4 is a bottom plan view thereof.

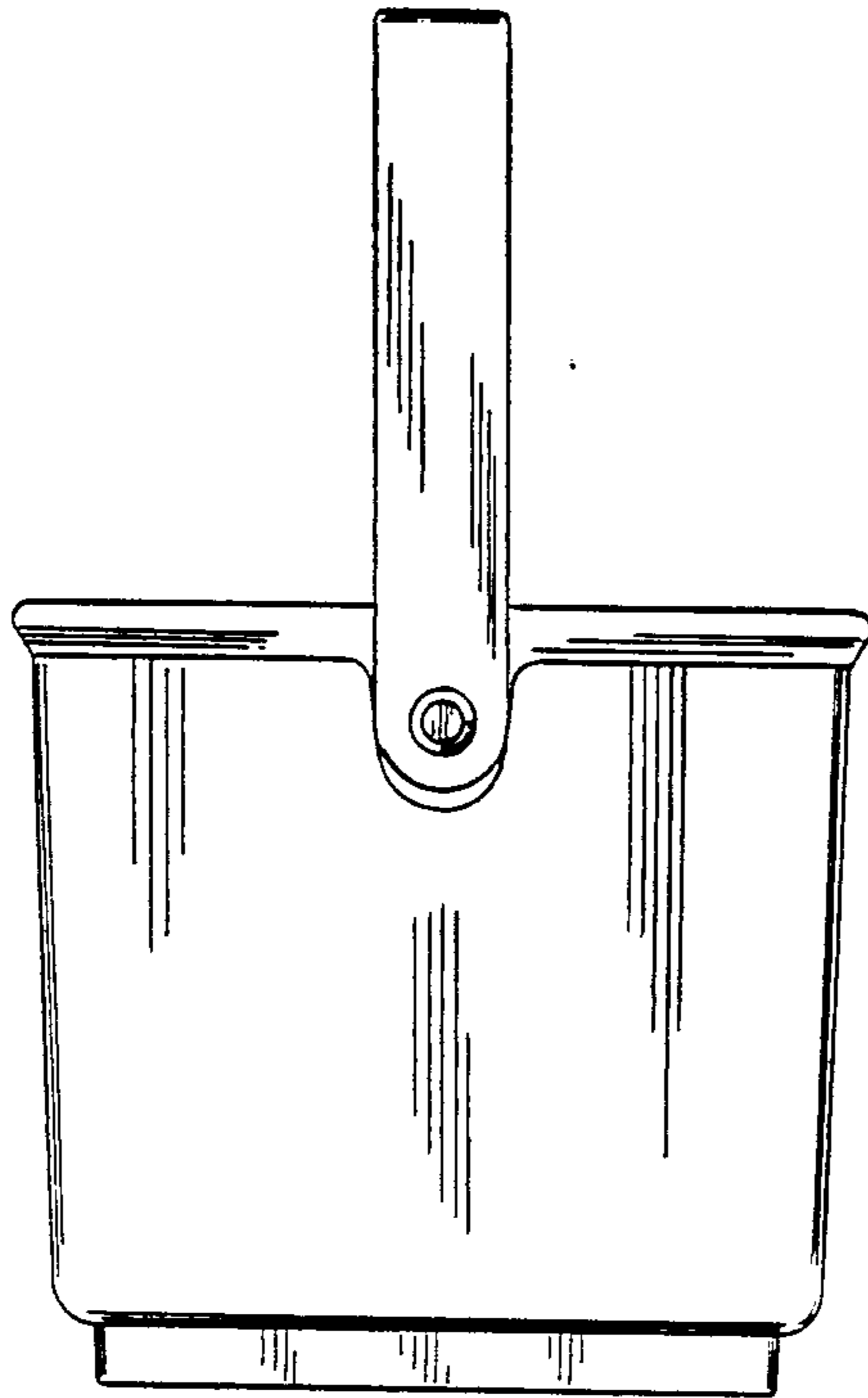


FIG. 1

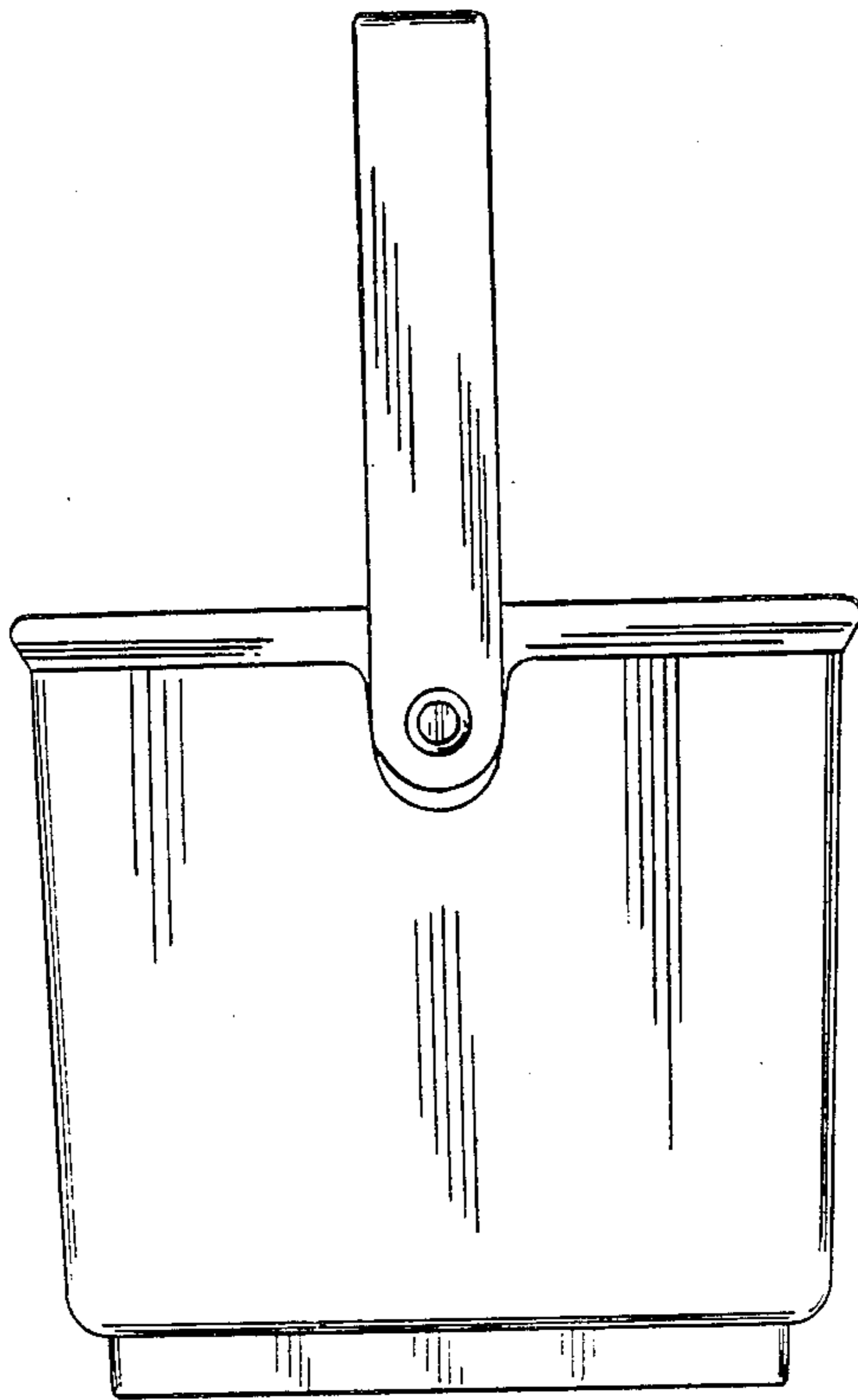


FIG. 2

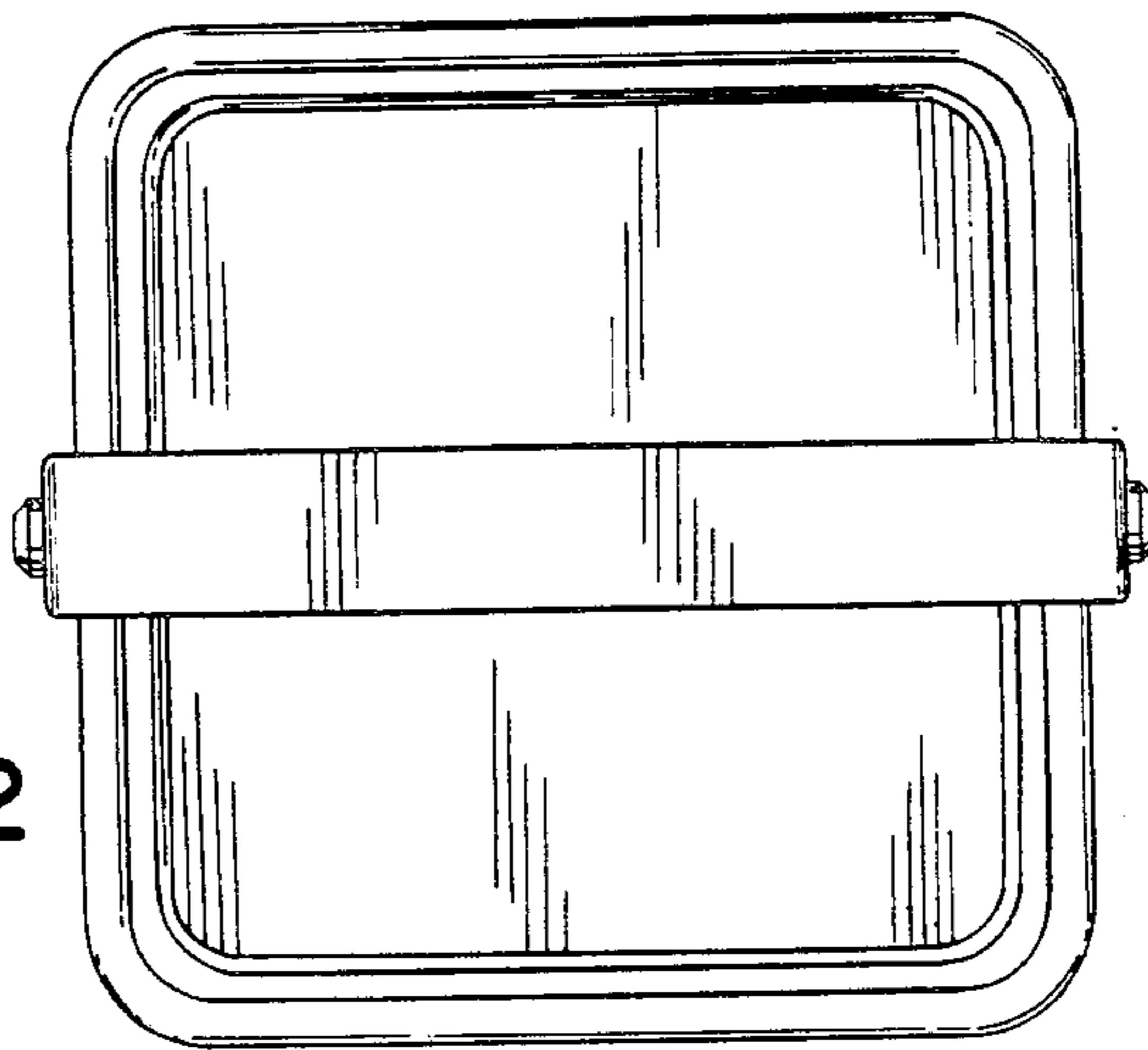


FIG. 3

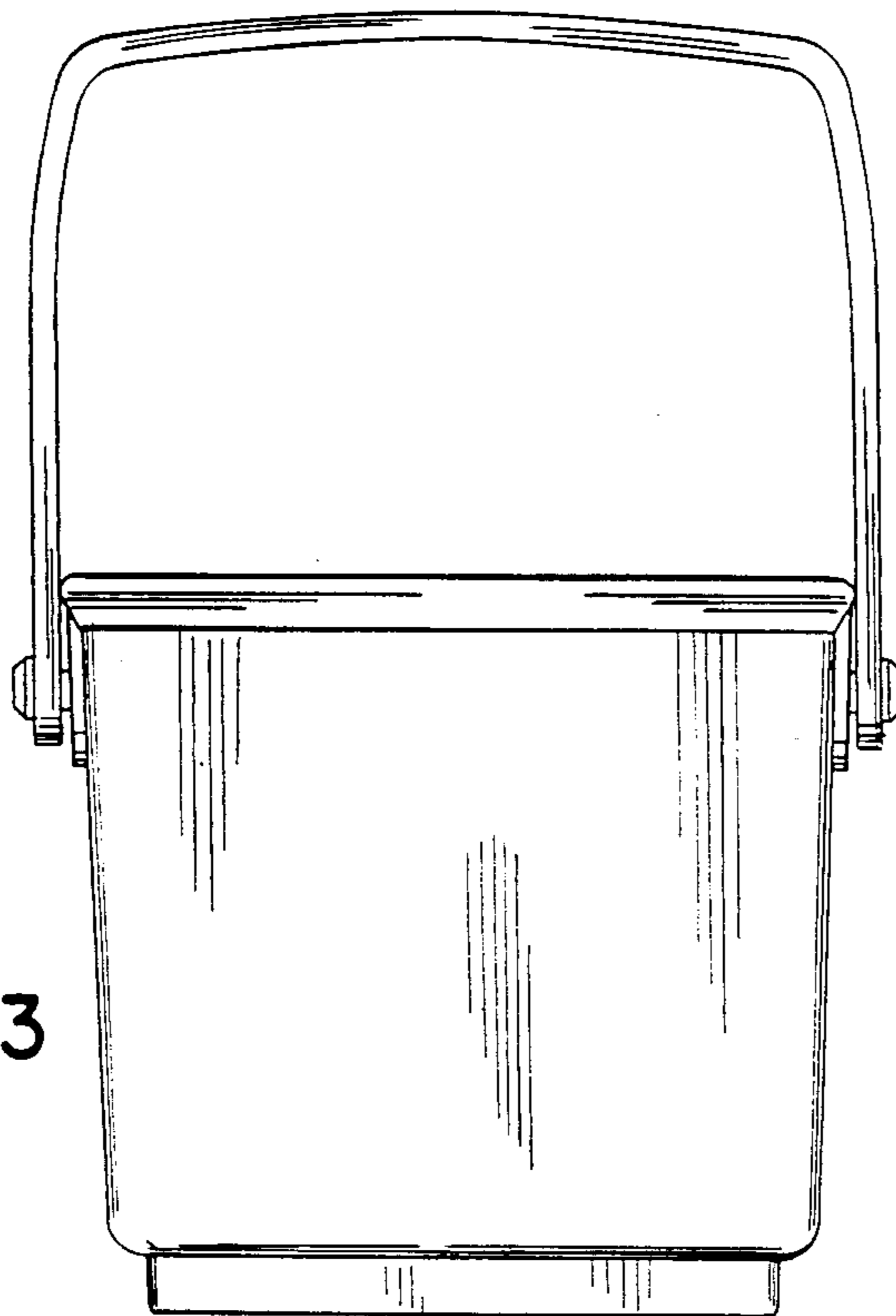


FIG. 4

