

[54] RECONFIGURABLE TOY JET-PLANE

[75] Inventor: Kouzin Ohno, Tokyo, Japan

[73] Assignee: Takara Co., Ltd., Tokyo, Japan

[**] Term: 14 Years

[21] Appl. No.: 768,516

[22] Filed: Aug. 22, 1985

[30] Foreign Application Priority Data

May 13, 1985 [JP] Japan 60-19641

[52] U.S. Cl. D21/87; D21/150;
D21/166

[58] Field of Search D21/59, 87, 91, 150,
D21/166; D12/319, 320, 343, 342; 446/94, 95,
487, 71, 72, 75-78

[56] References Cited

U.S. PATENT DOCUMENTS

- D. 281,090 10/1985 Murakami D21/87
D. 287,378 12/1986 Ohno D21/87
D. 290,484 6/1987 Yoke D21/166

OTHER PUBLICATIONS

Flight International, 11-6-1983, p. 1732, Tactical Fighter.

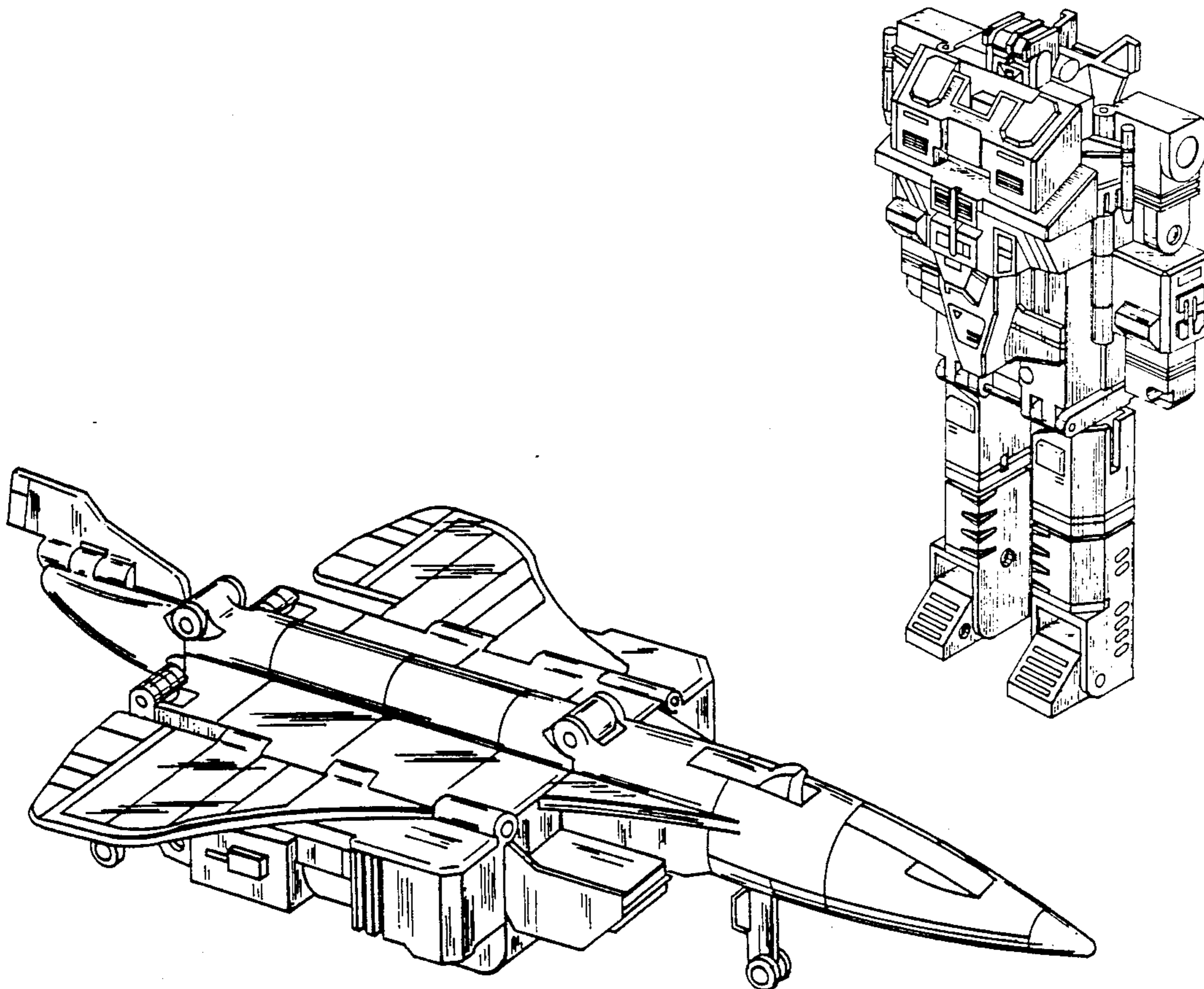
Primary Examiner—Charles A. Rademaker
Attorney, Agent, or Firm—Price, Gess & Ubell

[57] CLAIM

The ornamental design for a reconfigurable toy jet-plane, substantially as shown and described.

DESCRIPTION

FIG. 1 is a front and side perspective view of a reconfigurable toy jet-plane, showing my new design;
FIG. 2 is a front elevational view thereof;
FIG. 3 is a side elevational view thereof, the side opposite being substantially a mirror image;
FIG. 4 is a rear elevational view thereof;
FIG. 5 is a top plan view thereof;
FIG. 6 is a bottom plan view thereof;
FIG. 7 is a front and side perspective view of the design shown in FIGS. 1 through 6 reconfigured in a robotic-humanoid configuration;
FIG. 8 is a front elevational view thereof;
FIG. 9 is a side elevational view thereof, the side opposite being substantially a mirror image.
FIG. 10 is a rear elevational view thereof;
FIG. 11 is a top plan view thereof; and
FIG. 12 is a bottom plan view thereof.



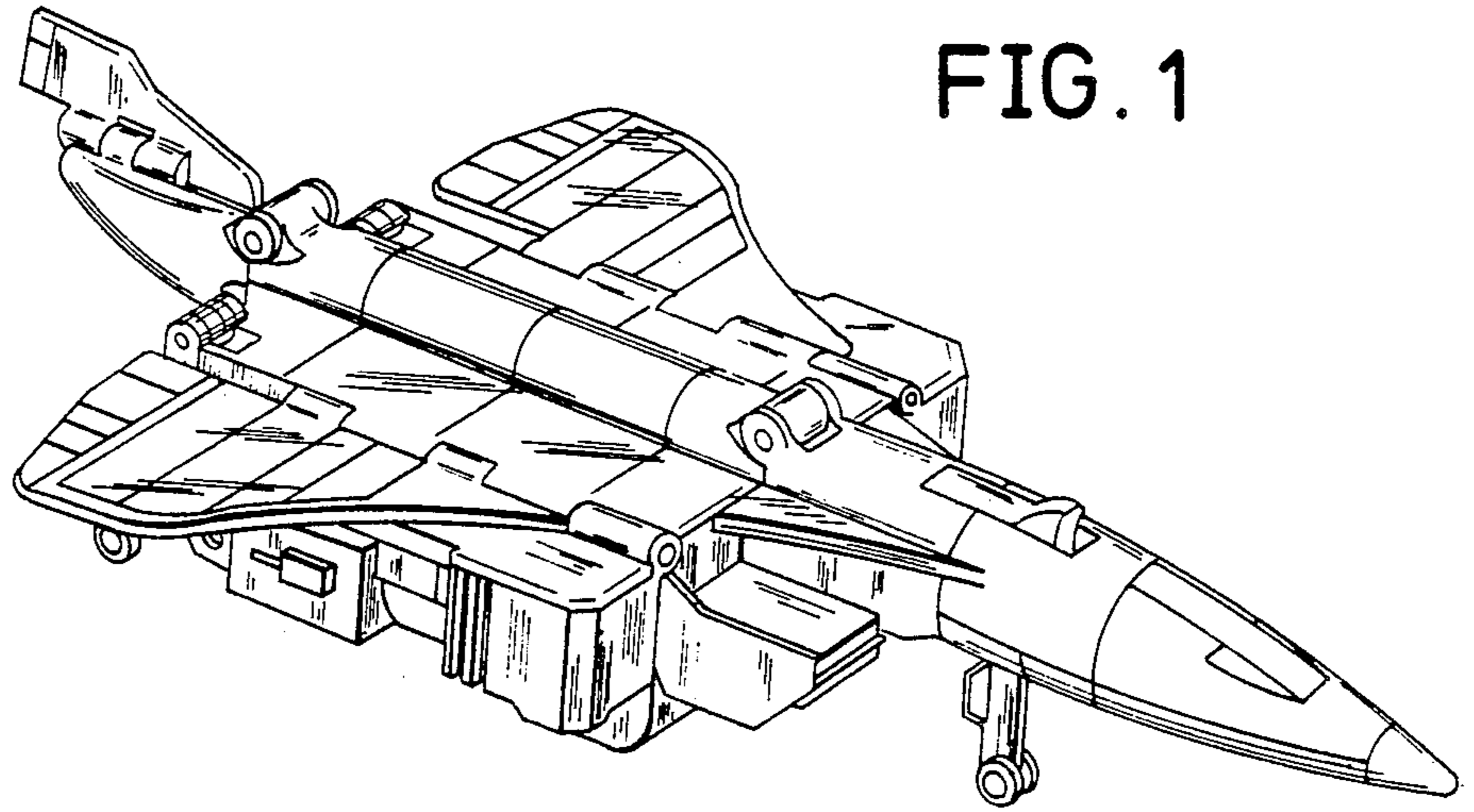


FIG. 2

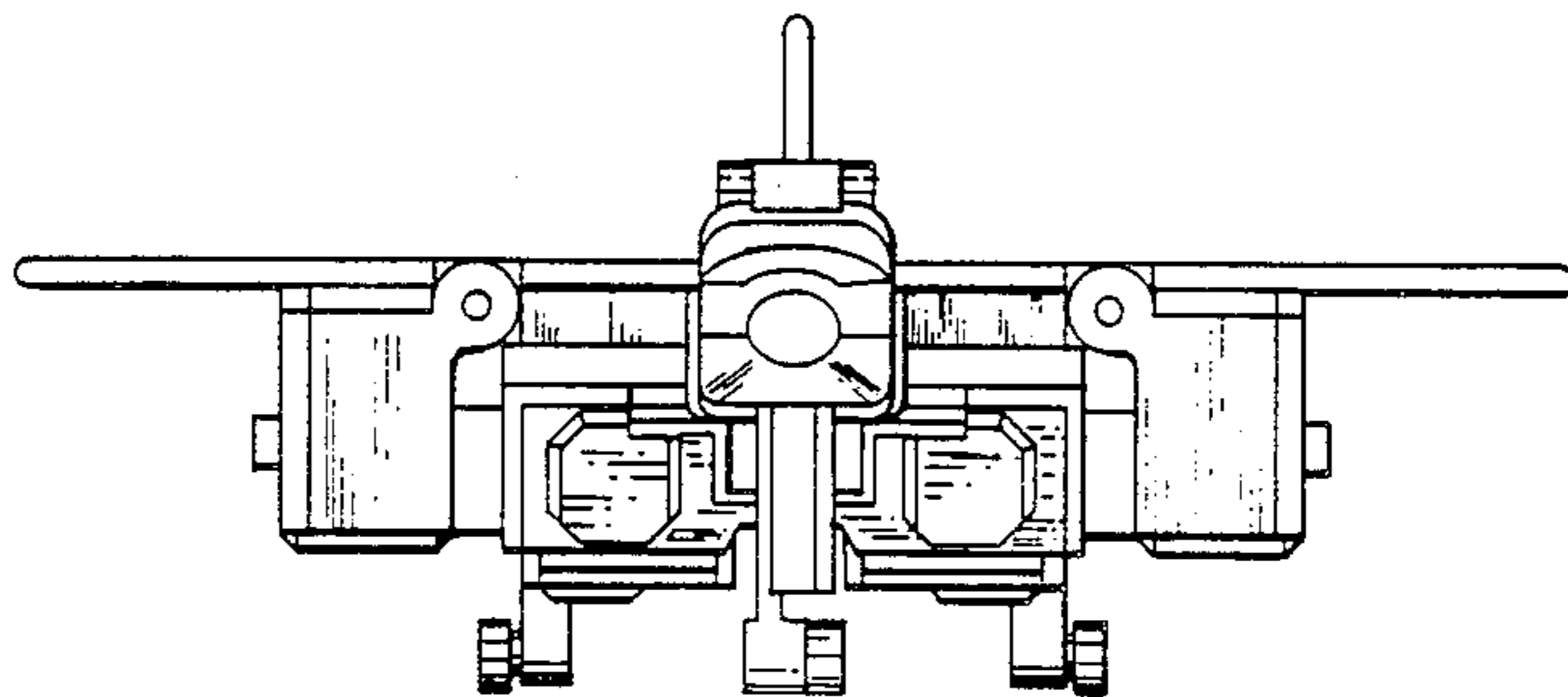


FIG. 3

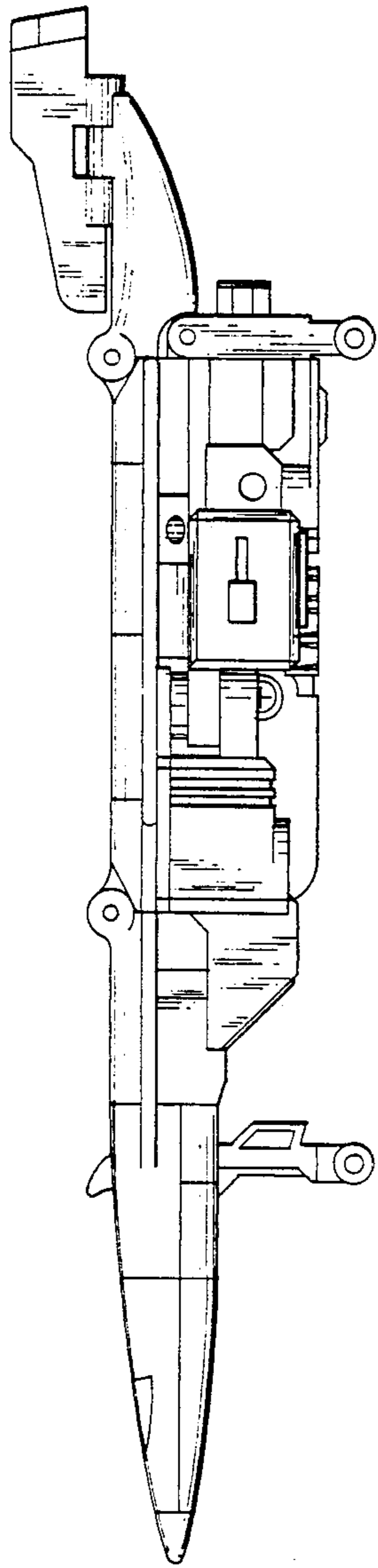


FIG. 4

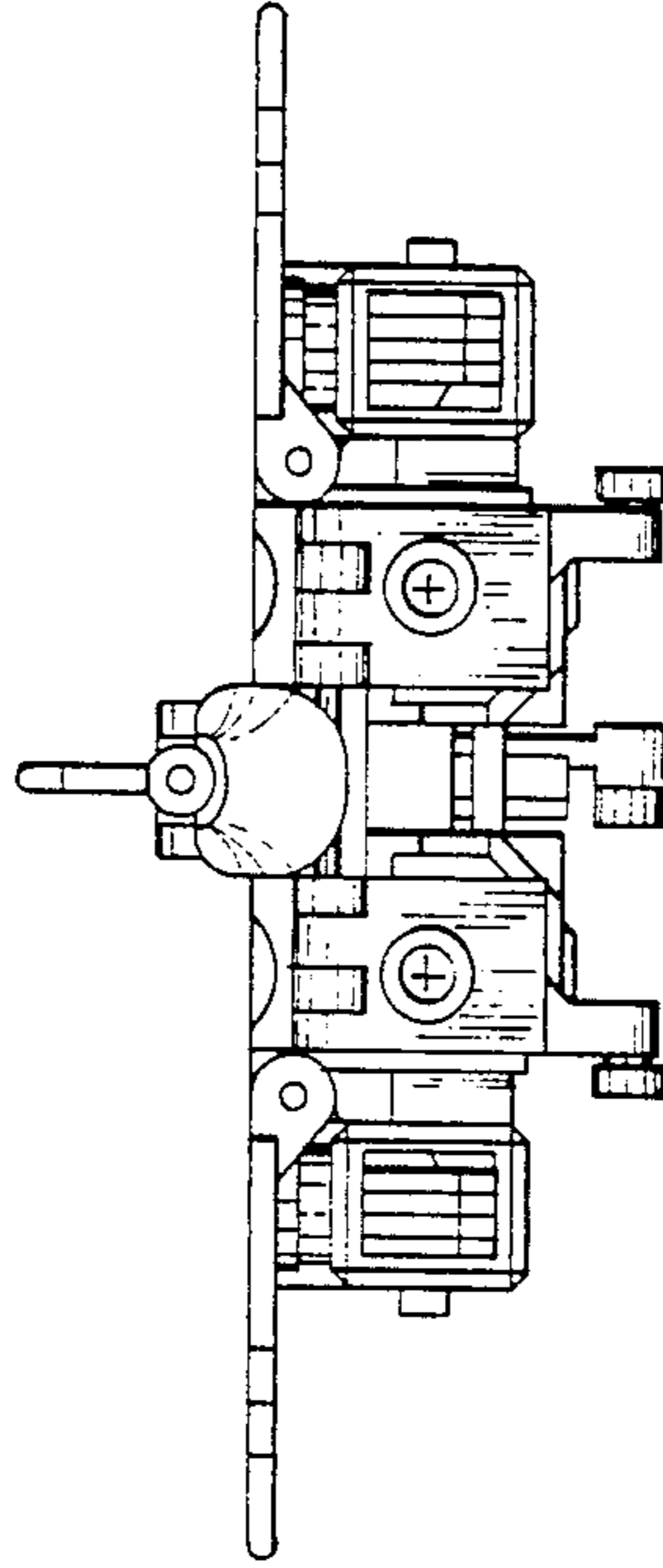


FIG. 5

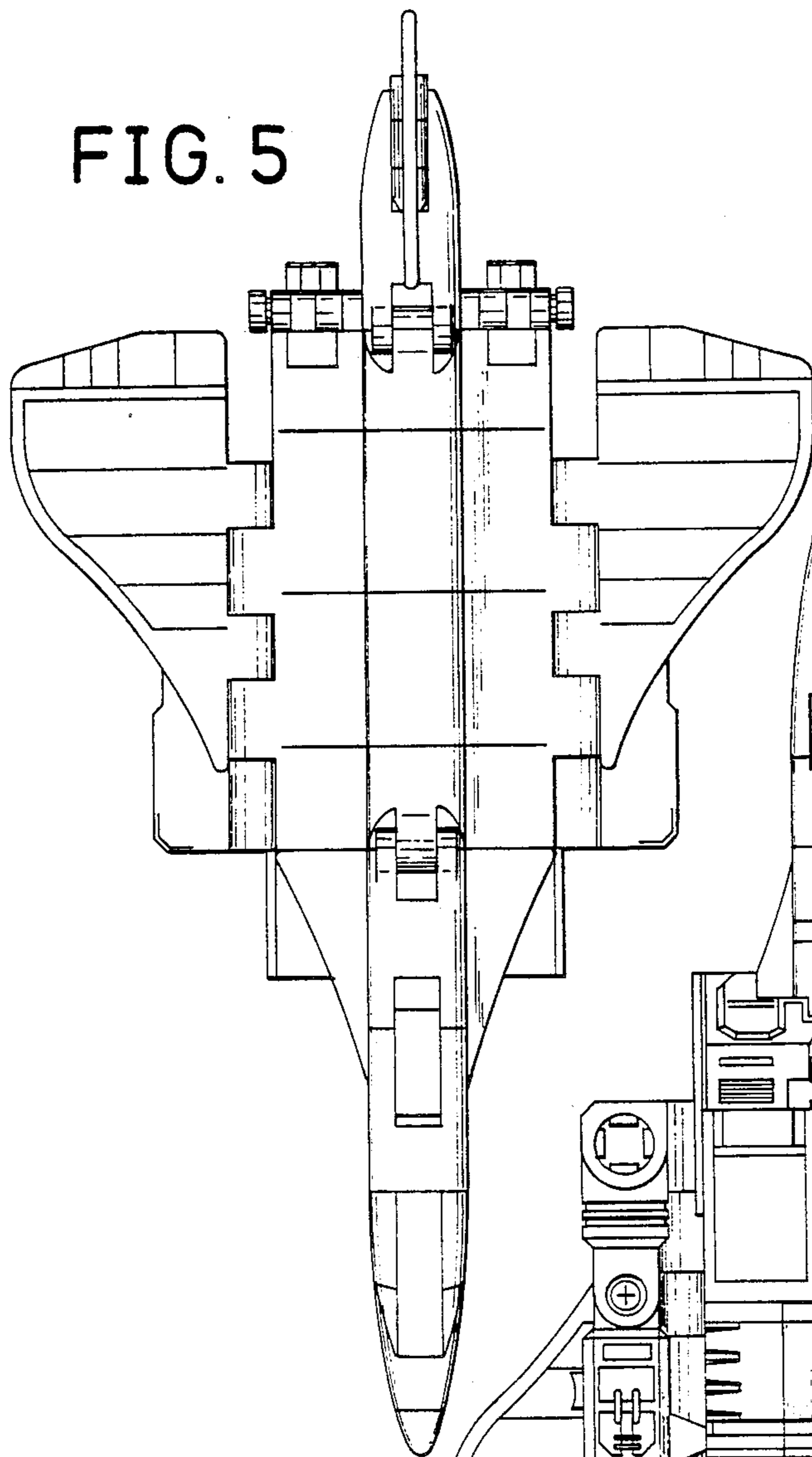


FIG. 6

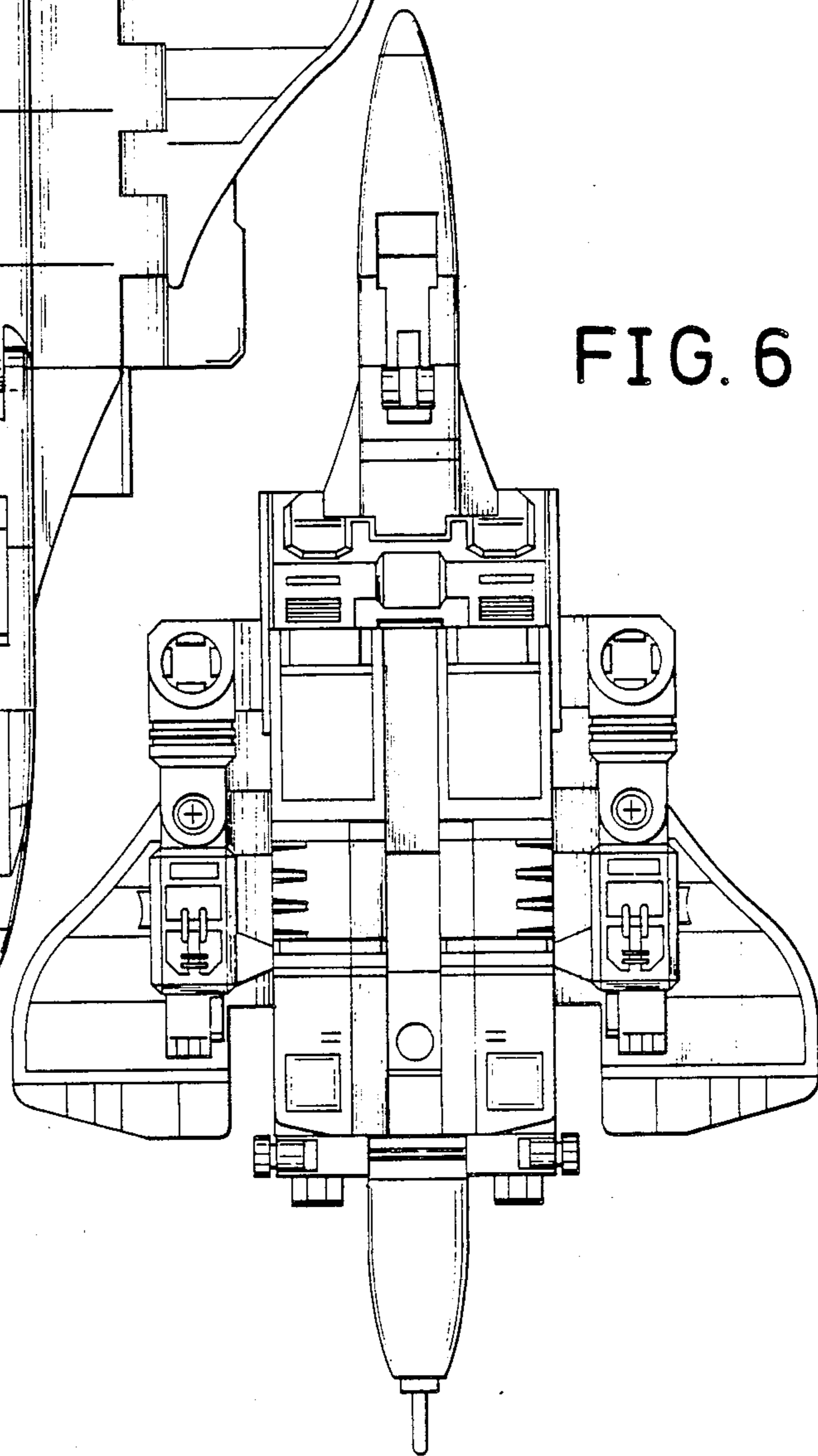


FIG.9

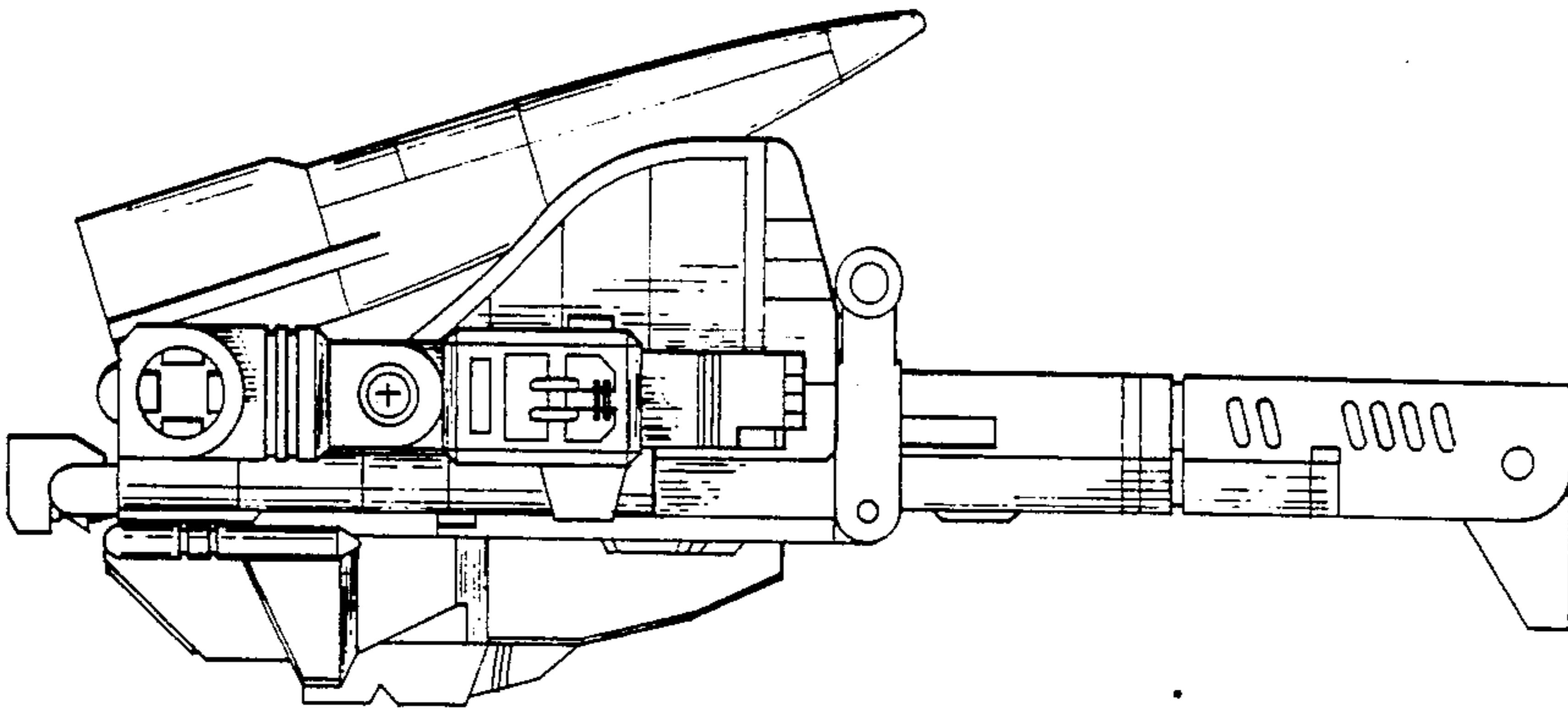


FIG.8

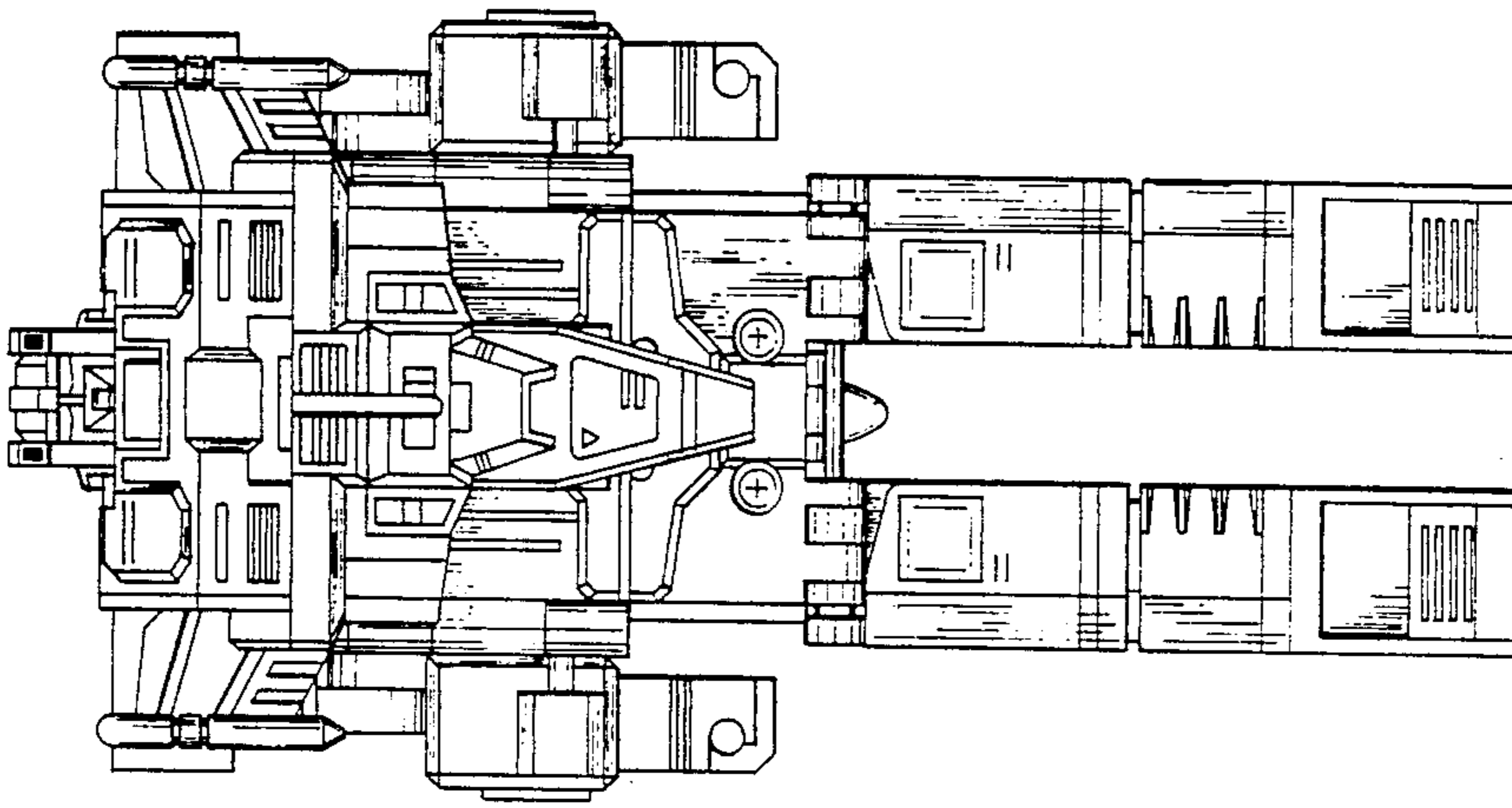


FIG.7

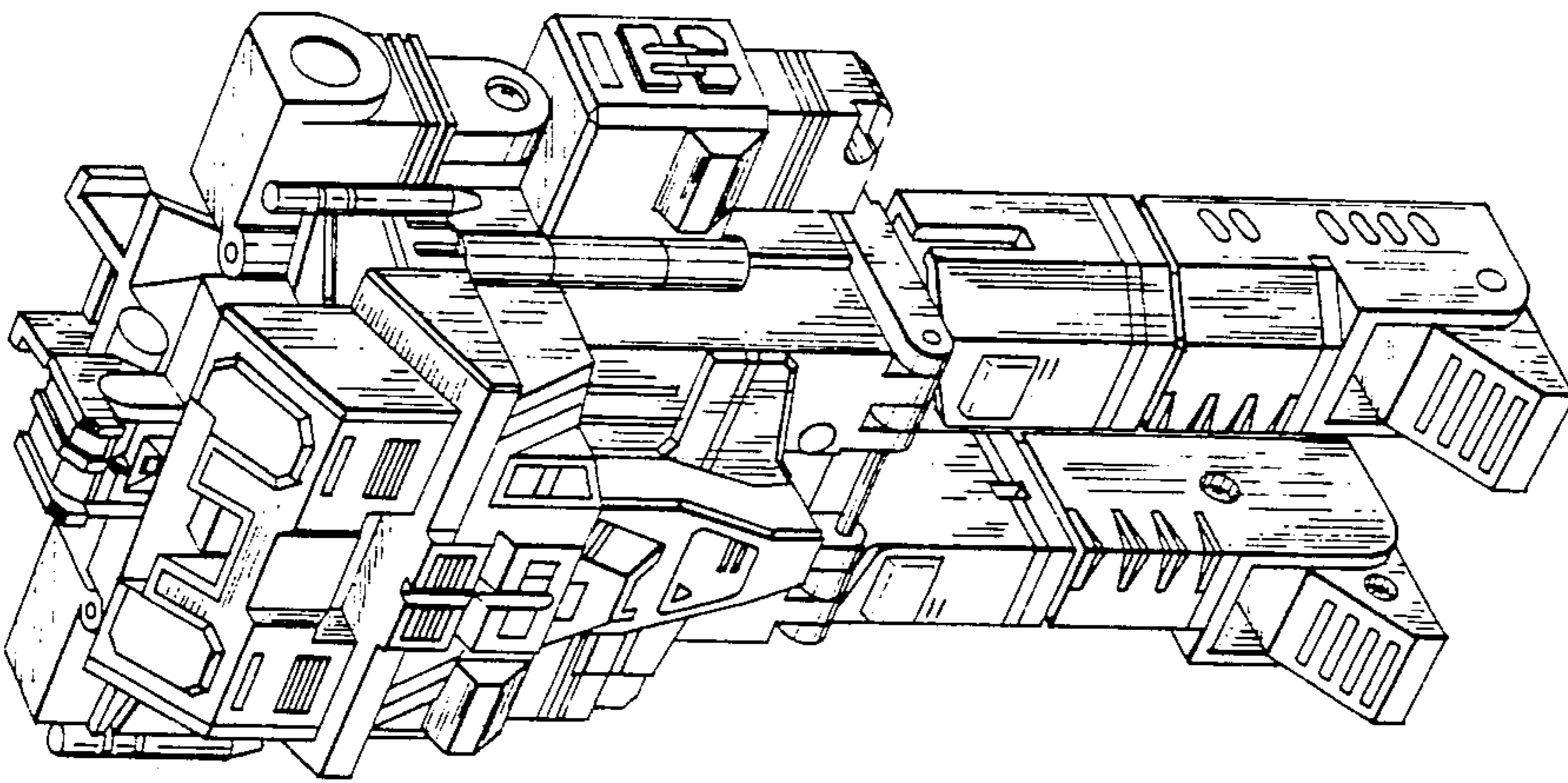


FIG.10

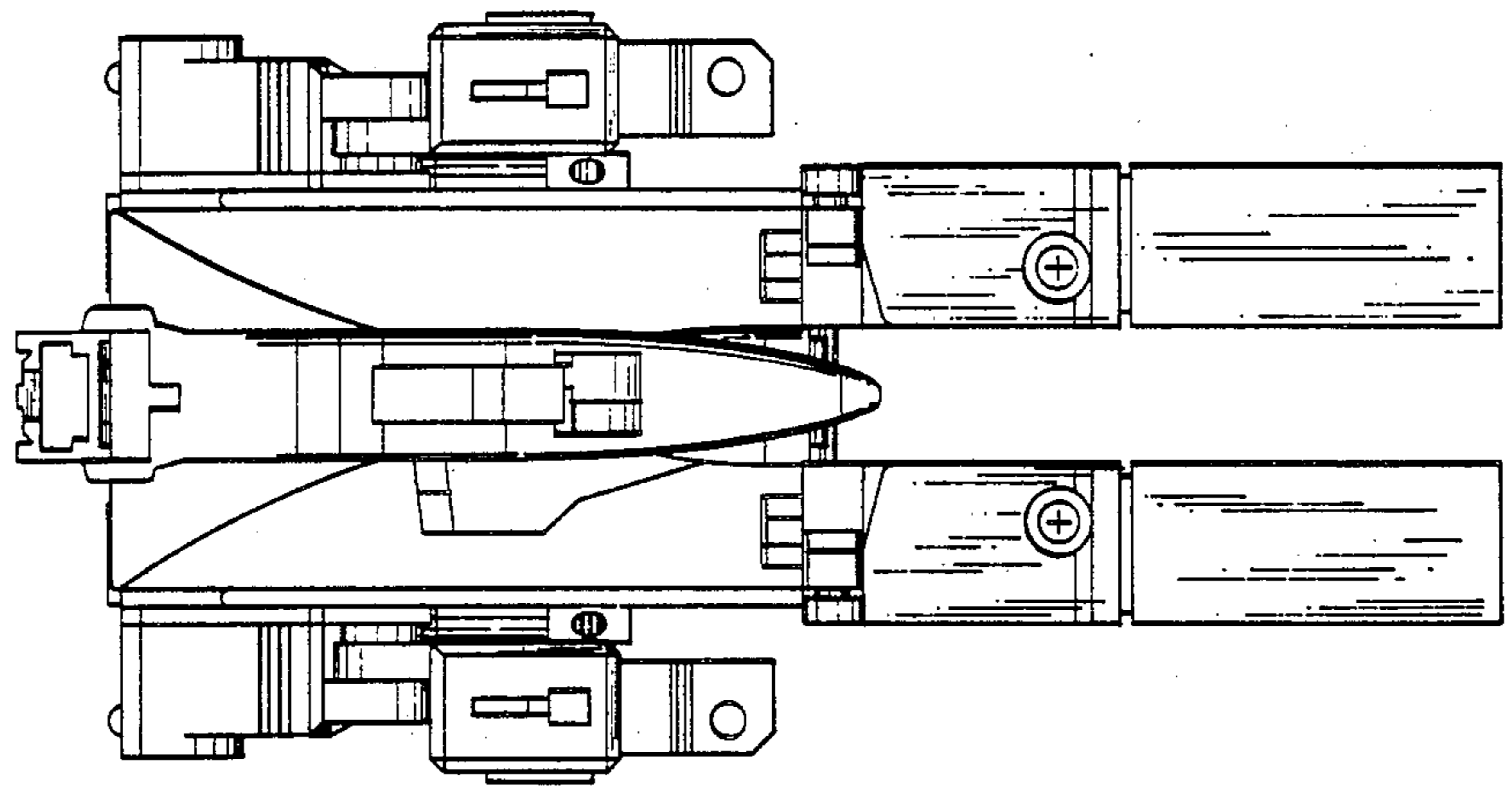


FIG.11

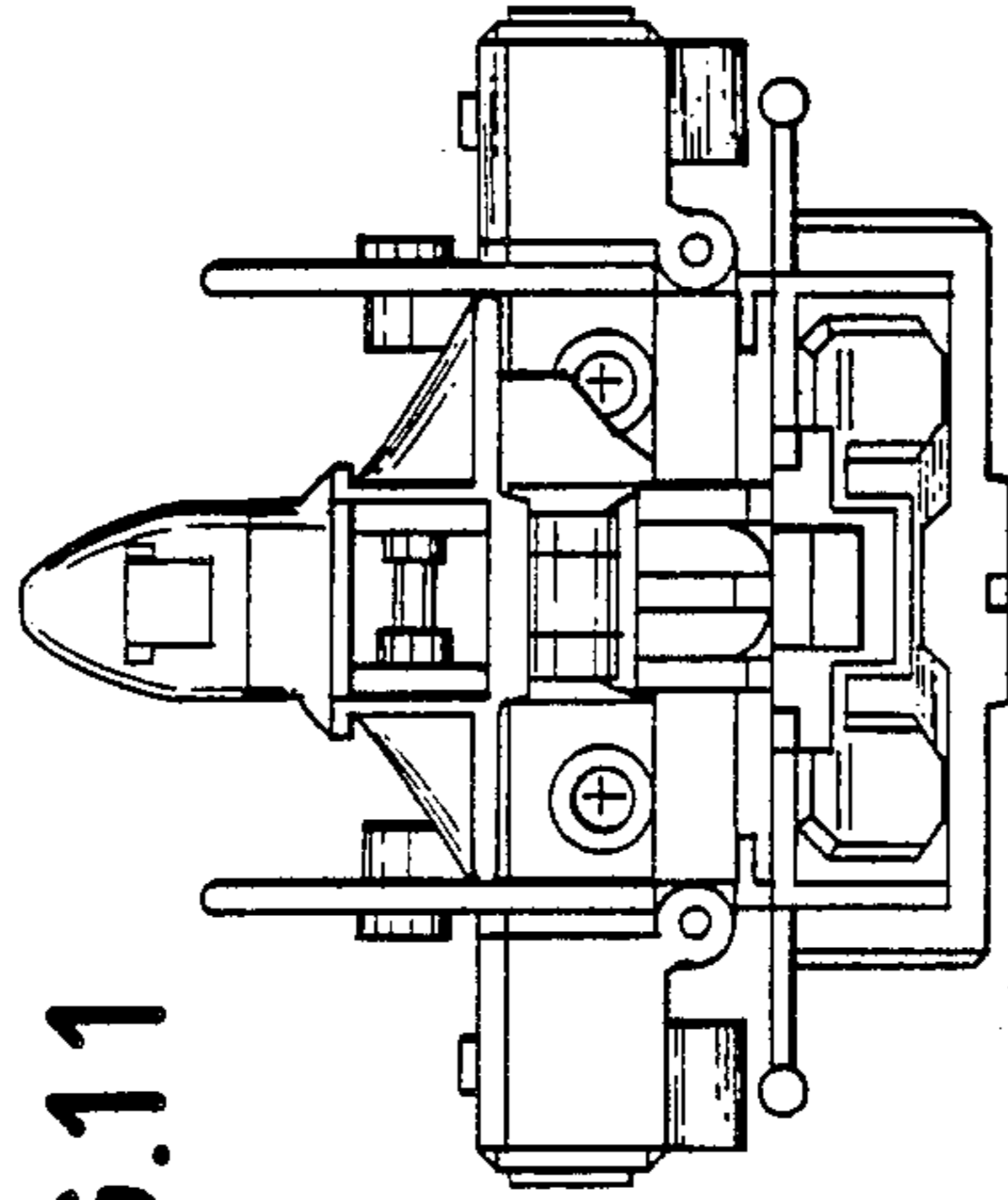


FIG.12

