

[54] RECONFIGURABLE TOY JET-PLANE

[75] Inventor: Kaoru Matsumoto, Tokyo, Japan

[73] Assignee: Takara Co., Ltd., Tokyo, Japan

[**] Term: 14 Years

[21] Appl. No.: 764,381

[22] Filed: Aug. 9, 1985

[30] Foreign Application Priority Data

Feb. 12, 1985 [JP] Japan 60-4690

[52] U.S. Cl. D21/87

[58] Field of Search D21/59, 87, 91, 150,
D21/166; D12/319, 320, 343, 342; 446/94, 95,
487, 71, 72, 75-78

[56] References Cited

U.S. PATENT DOCUMENTS

- D. 182,597 4/1958 Kartveli D12/342
- D. 187,405 3/1960 Gasich et al. D12/342
- D. 255,789 7/1980 Bowers D12/342
- D. 279,804 7/1985 Ohno D21/166
- D. 281,090 10/1985 Murakami D21/87
- D. 287,378 12/1986 Ohno D21/166
- D. 289,426 4/1987 Lim D21/87

D. 290,480 6/1987 Maruyama D21/87

Primary Examiner—Charles A. Rademaker
Attorney, Agent, or Firm—Price, Gess & Ubell

[57] CLAIM

The ornamental design for a reconfigurable toy jet-plane, substantially as shown and described.

DESCRIPTION

FIG. 1 is a front and side perspective view of a reconfigurable toy jet plane, showing my new design;
 FIG. 2 is a front elevational view thereof;
 FIG. 3 is a side elevational view thereof, the side opposite being substantially a mirror image;
 FIG. 4 is a rear elevational view thereof;
 FIG. 5 is a top plan view thereof;
 FIG. 6 is a bottom plan view thereof;
 FIG. 7 is a front and side perspective view of the design shown in FIGS. 1 through 6 reconfigured in a robotic-humanoid configuration;
 FIG. 8 is a front elevational view thereof;
 FIG. 9 is a side elevational view thereof, the side opposite being substantially a mirror image.
 FIG. 10 is a rear elevational view thereof;
 FIG. 11 is a top plan view thereof; and
 FIG. 12 is a bottom plan view thereof.

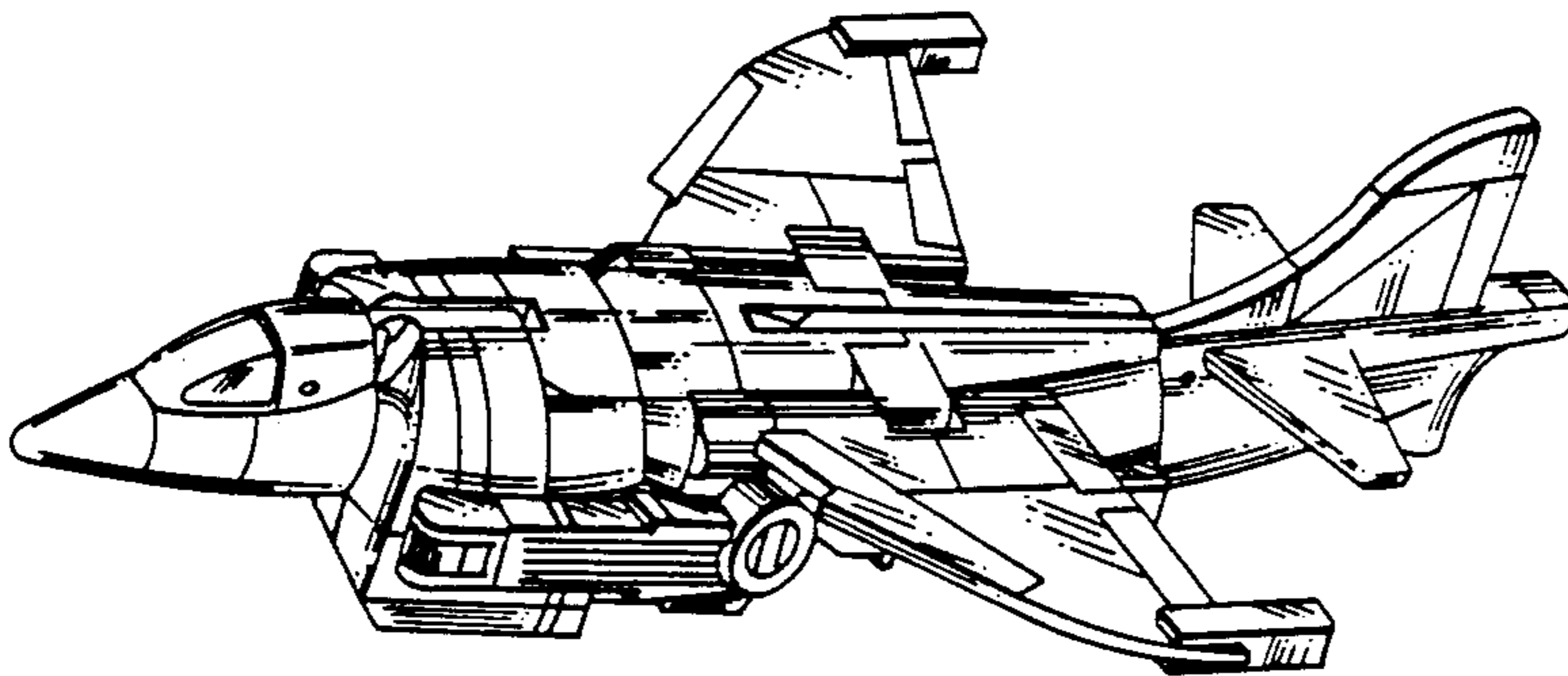


FIG. 1

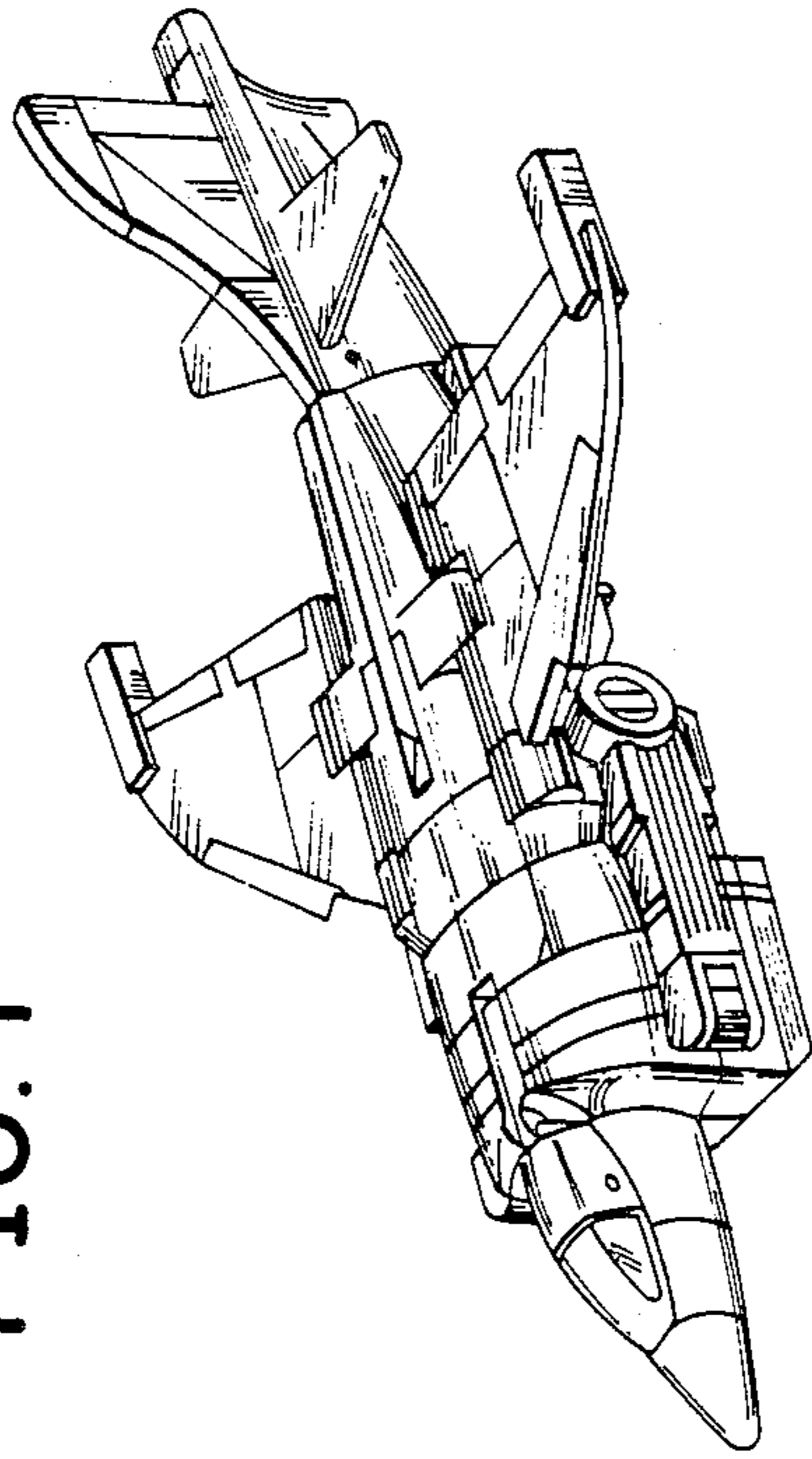


FIG. 2

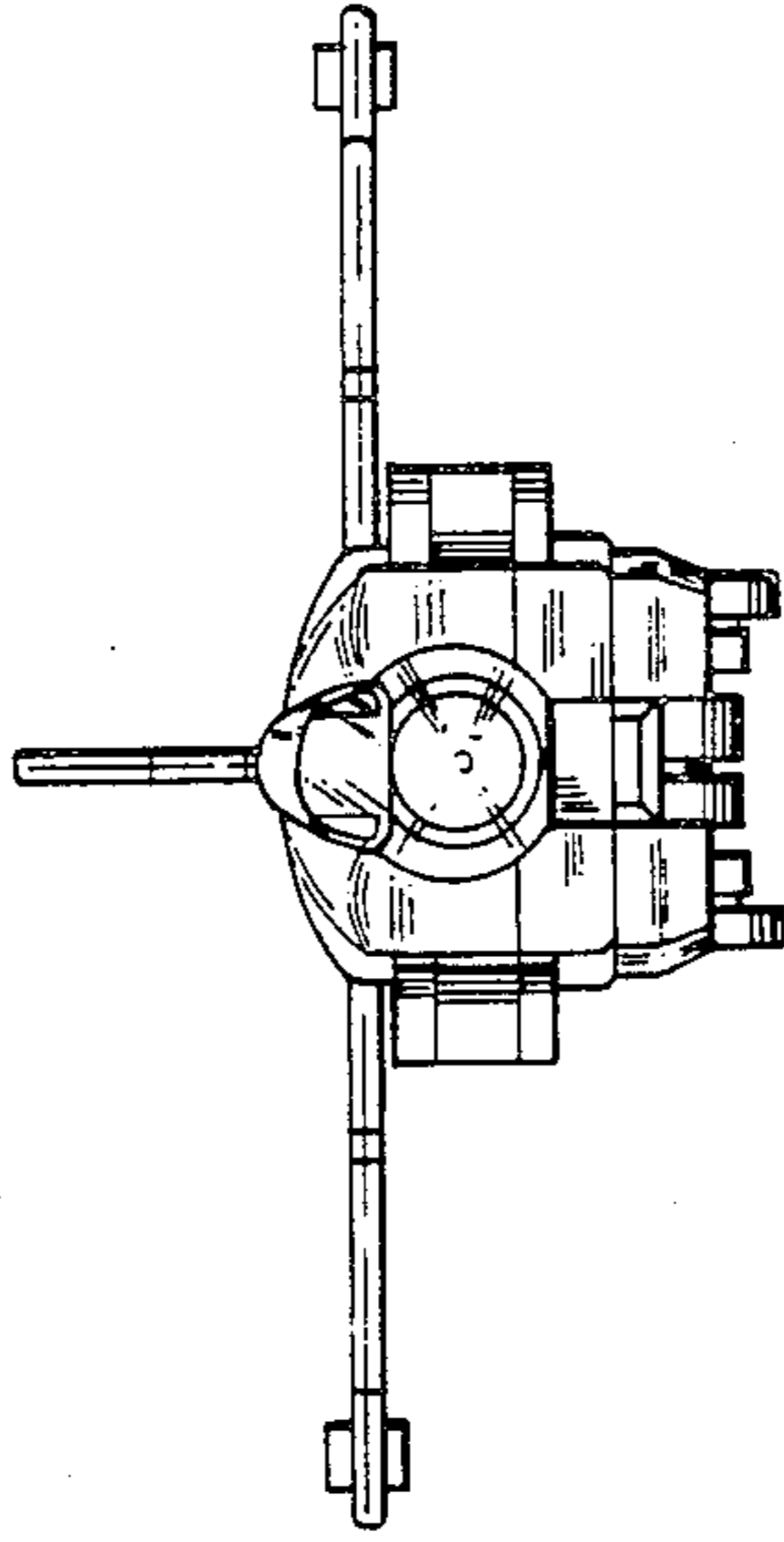


FIG. 3

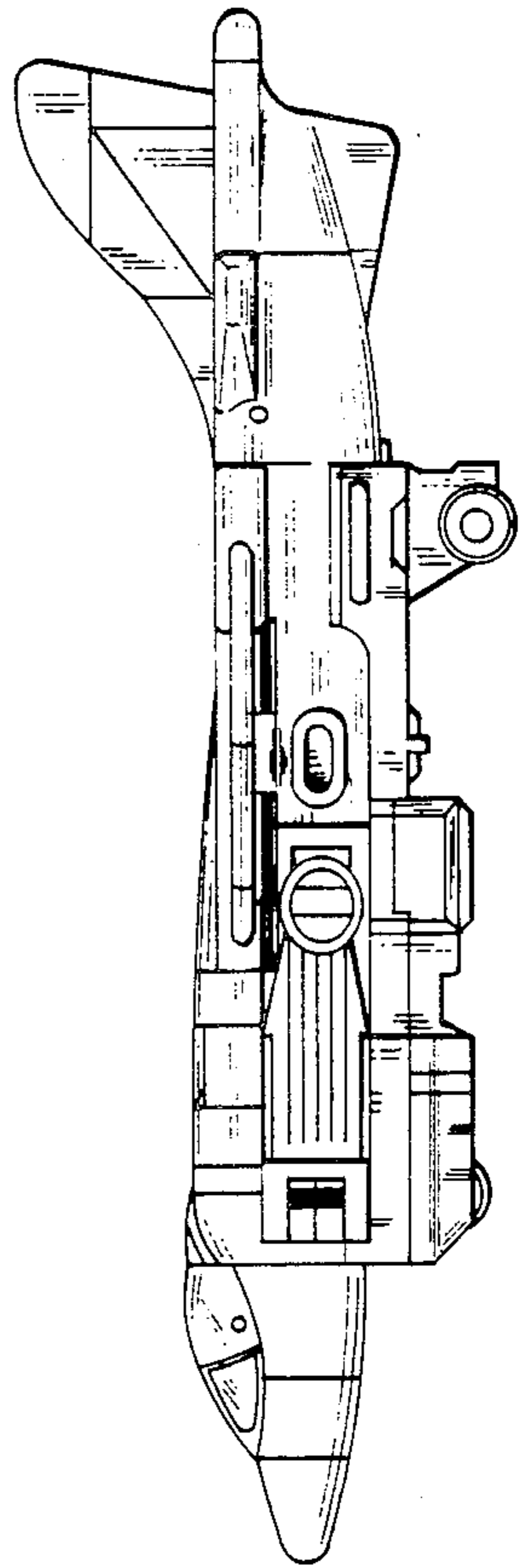
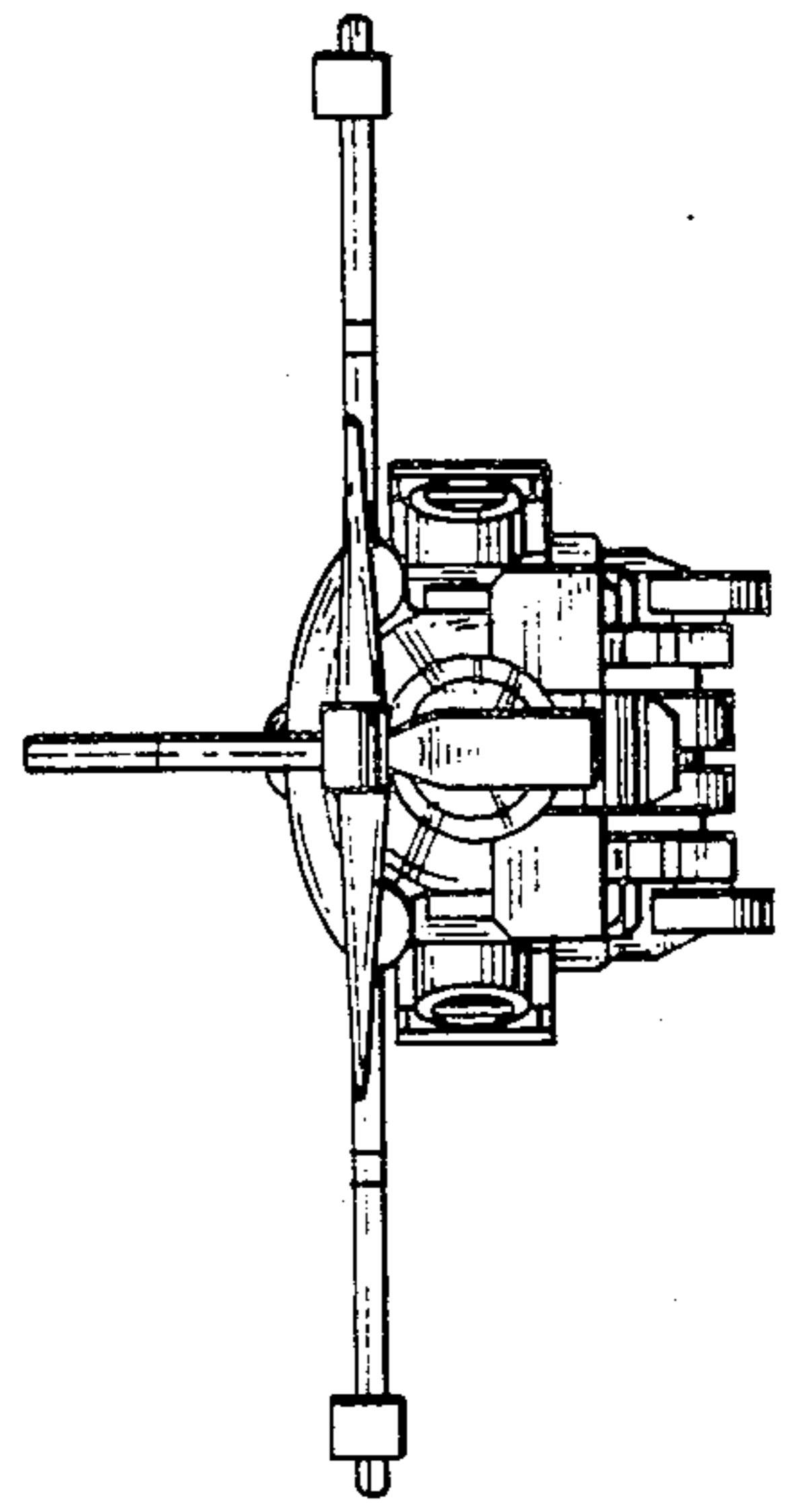


FIG. 4



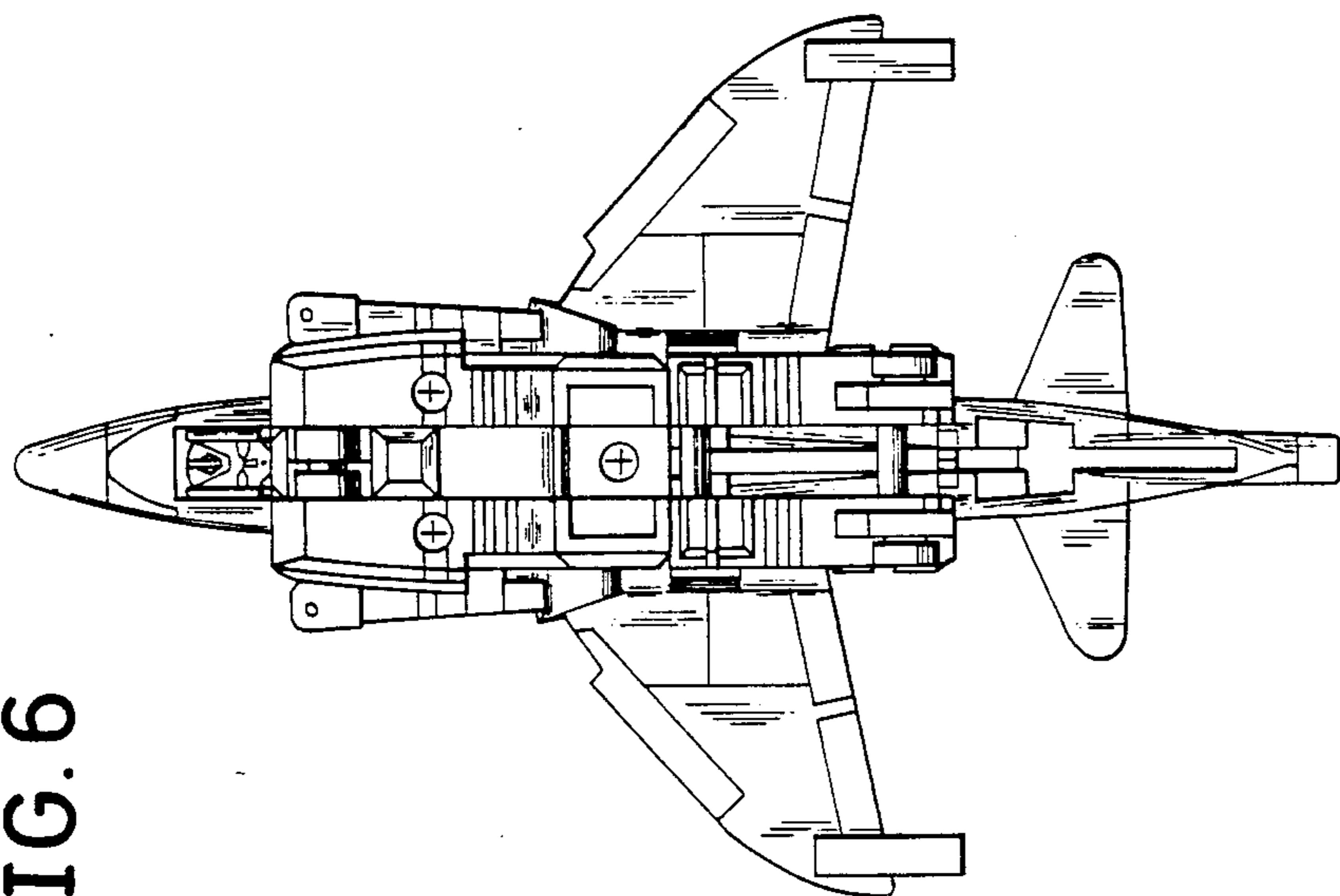


FIG. 6

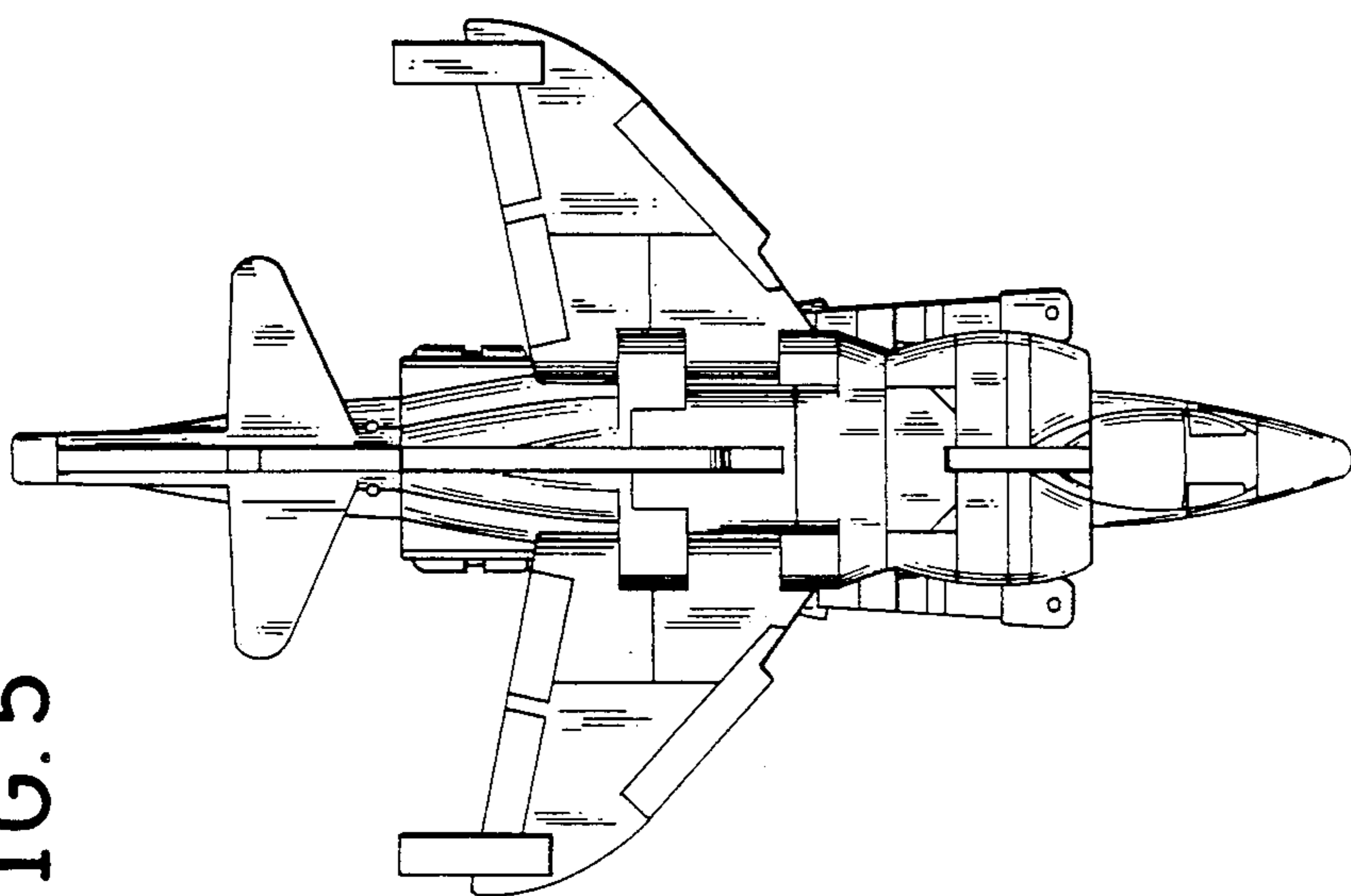


FIG. 5

FIG. 9

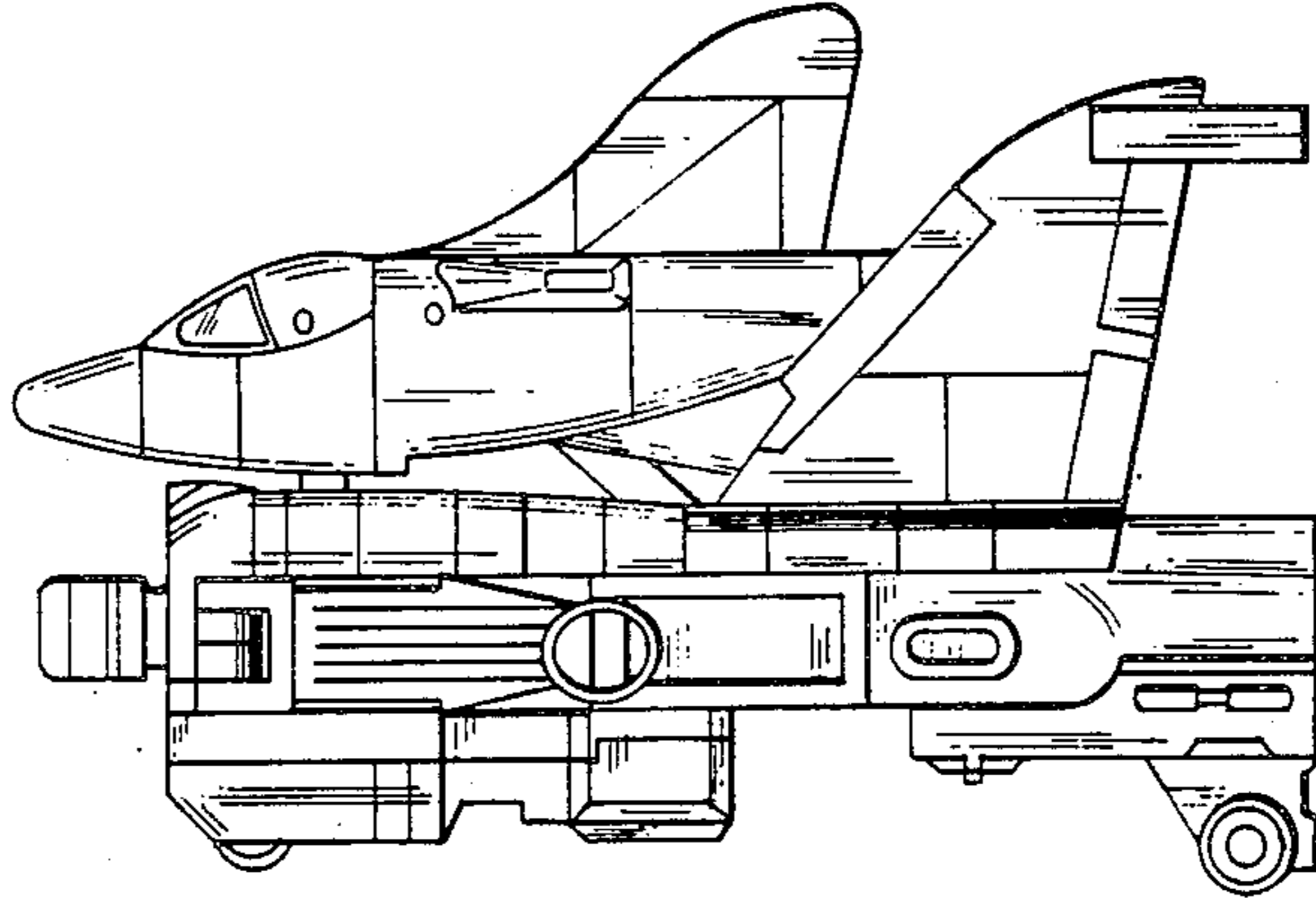


FIG. 8

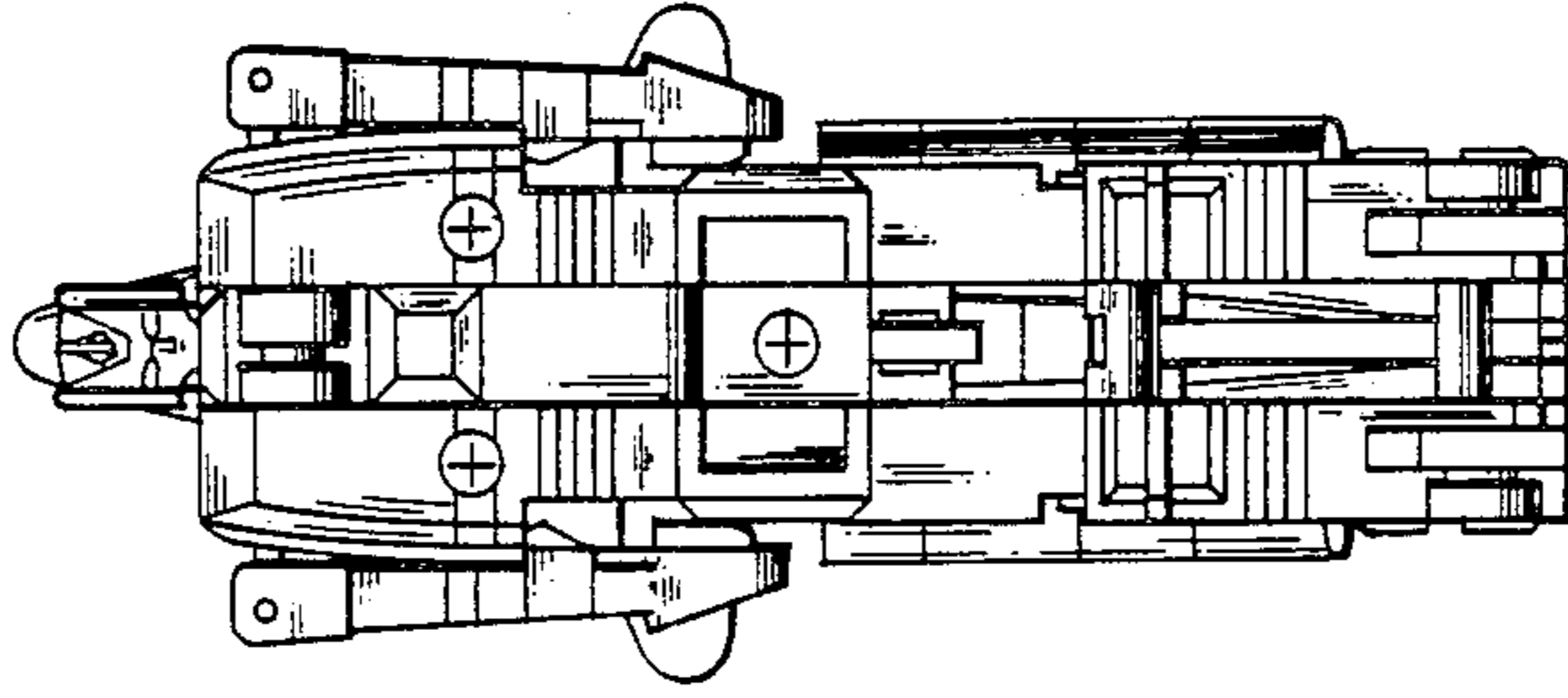


FIG. 7

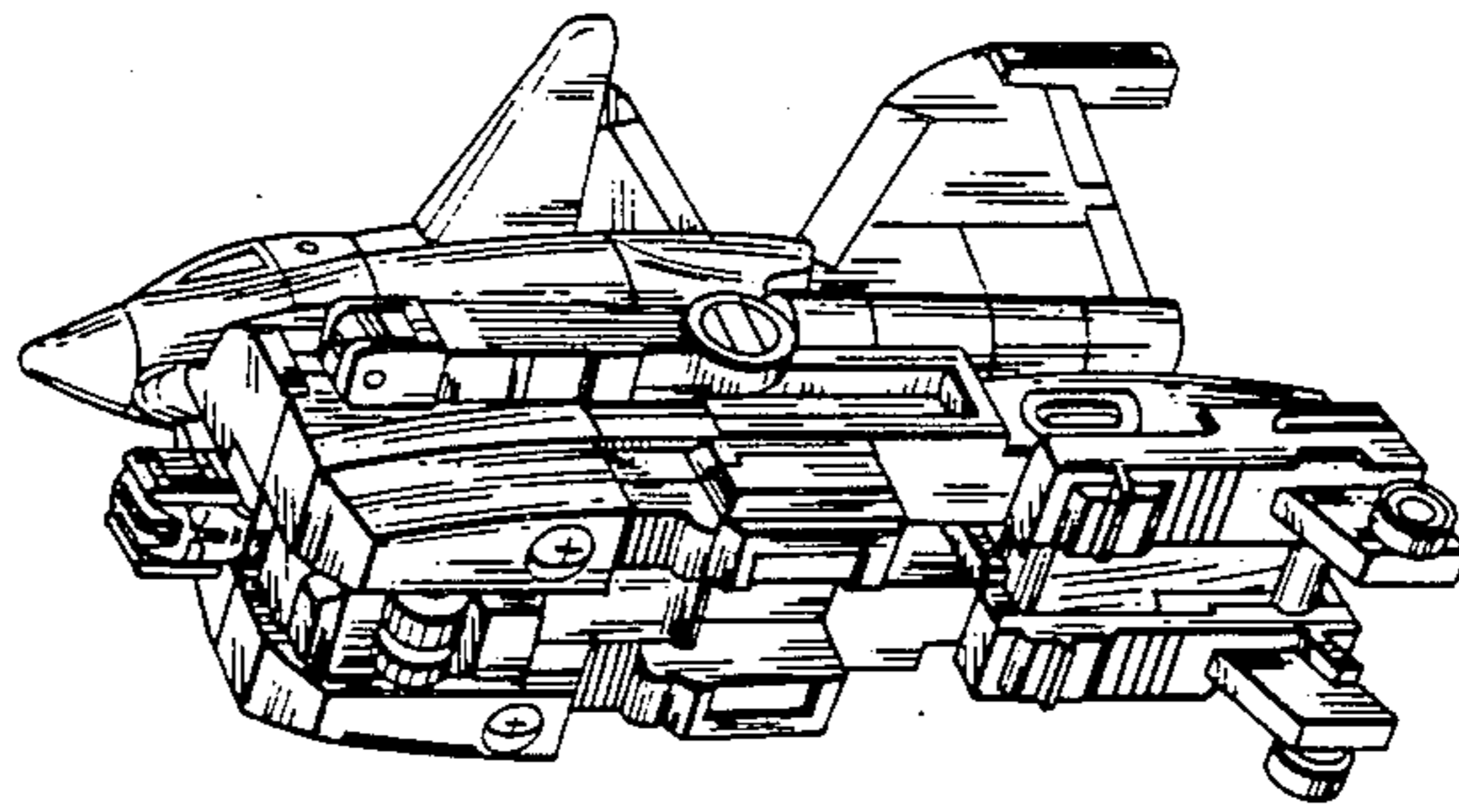


FIG.10

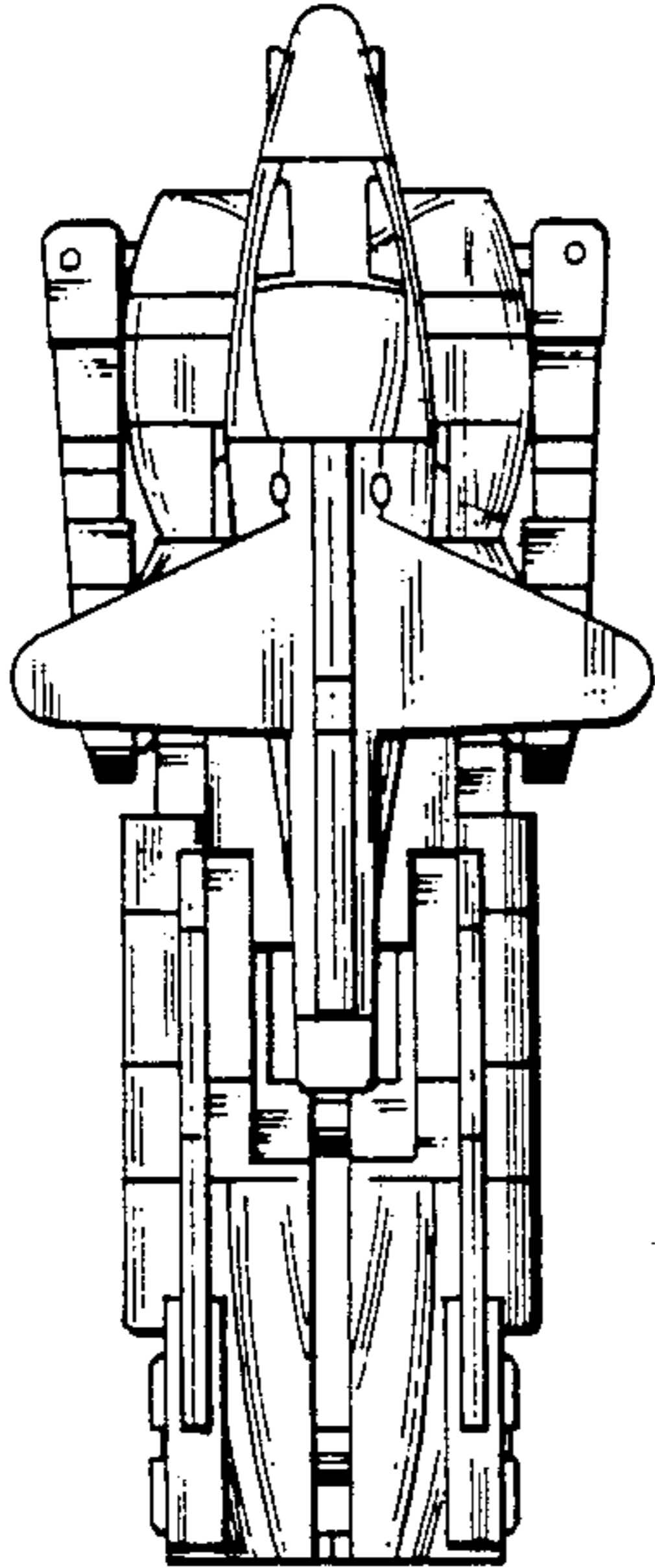


FIG.11

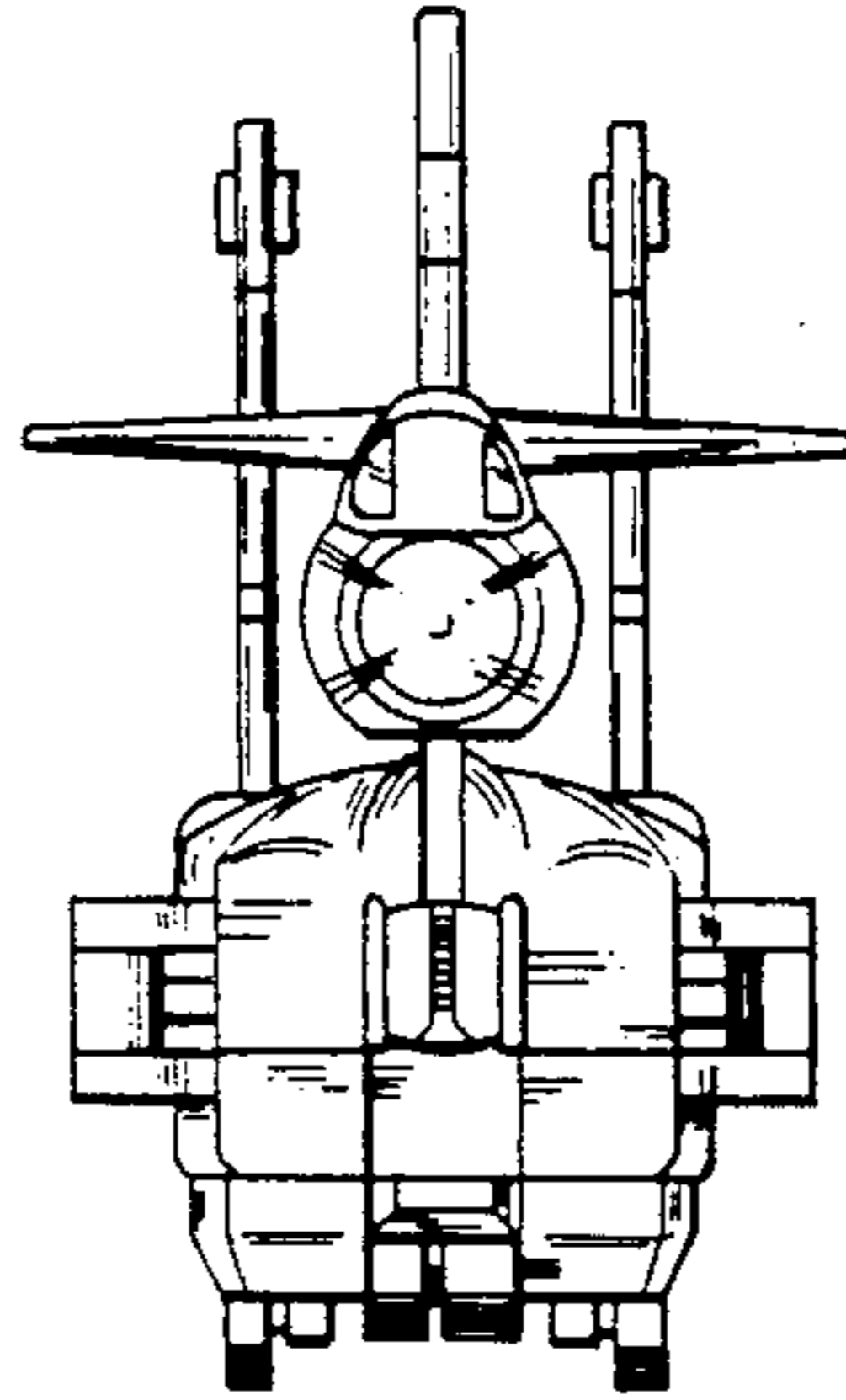


FIG.12

