

# United States Patent [19]

Yamada

[11] Patent Number: Des. 294,037

[45] Date of Patent: \*\* Feb. 2, 1988

[54] MICROSCOPE

4,449,795 5/1984 Yamada ..... 350/516

[76] Inventor: Masaharu Yamada, 2-36-2 Heiwadai,  
Nerima-ku, Tokyo, Japan

### FOREIGN PATENT DOCUMENTS

2311191 5/1974 Fed. Rep. of Germany ..... 21/36  
3100607 4/1982 Fed. Rep. of Germany ..... 21/36

[\*\*] Term: 14 Years

### OTHER PUBLICATIONS

[21] Appl. No.: 710,485

Zeiss, catalogue—"Routine & Research Microscopes",  
10-1964, pp. 23.

[22] Filed: Mar. 11, 1985

Primary Examiner—Susan J. Lucas  
Attorney, Agent, or Firm—Ladas & Parry

[30] Foreign Application Priority Data

Nov. 9, 1984 [JP] Japan ..... 59-46173

[52] U.S. Cl. .... D16/131

[58] Field of Search ..... D16/130-137;  
350/502, 507, 508, 516, 557, 571, 145

[57] CLAIM

The ornamental design for a microscope, as shown.

[56] References Cited

### DESCRIPTION

#### U.S. PATENT DOCUMENTS

D. 92,394 6/1934 Fassin ..... D16/131  
D. 273,685 5/1984 Yamada ..... D16/131  
2,170,967 8/1939 Eppenstein et al. .... 350/508  
3,360,641 12/1967 Korte ..... D16/131  
3,545,355 12/1970 Cahall, Jr. .... 354/79

FIG. 1 is a right side elevational view of the microscope showing my new design;

FIG. 2 is a front elevational view thereof;

FIG. 3 is a rear elevational view thereof;

FIG. 4 is a left side elevational view thereof;

FIG. 5 is a top plan view thereof;

FIG. 6 is a bottom plan view thereof.

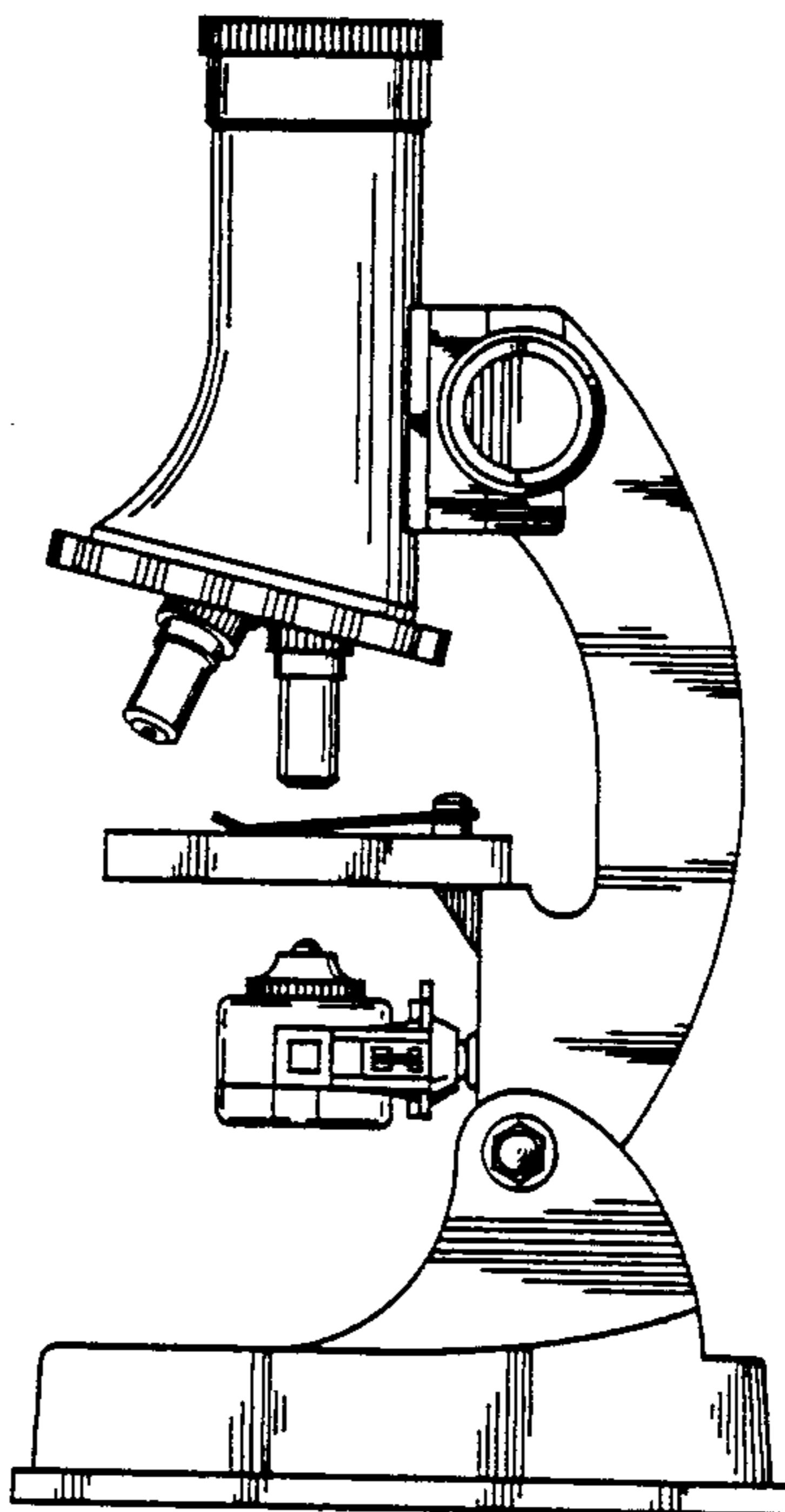
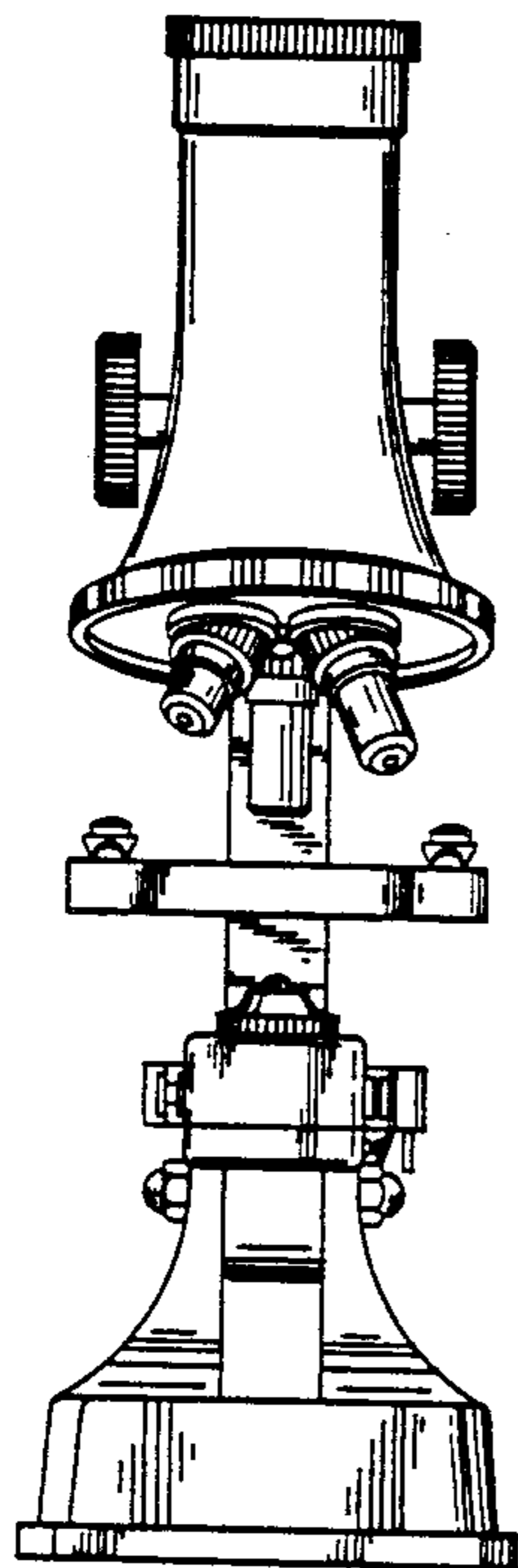


FIG. 2

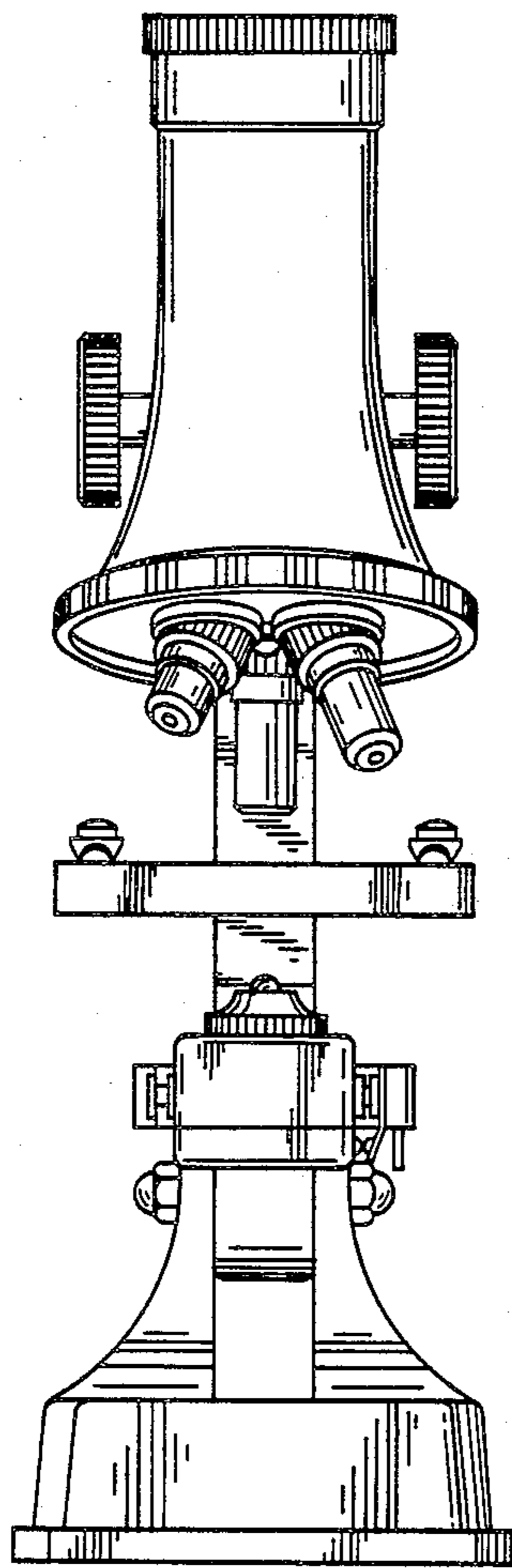


FIG. 1

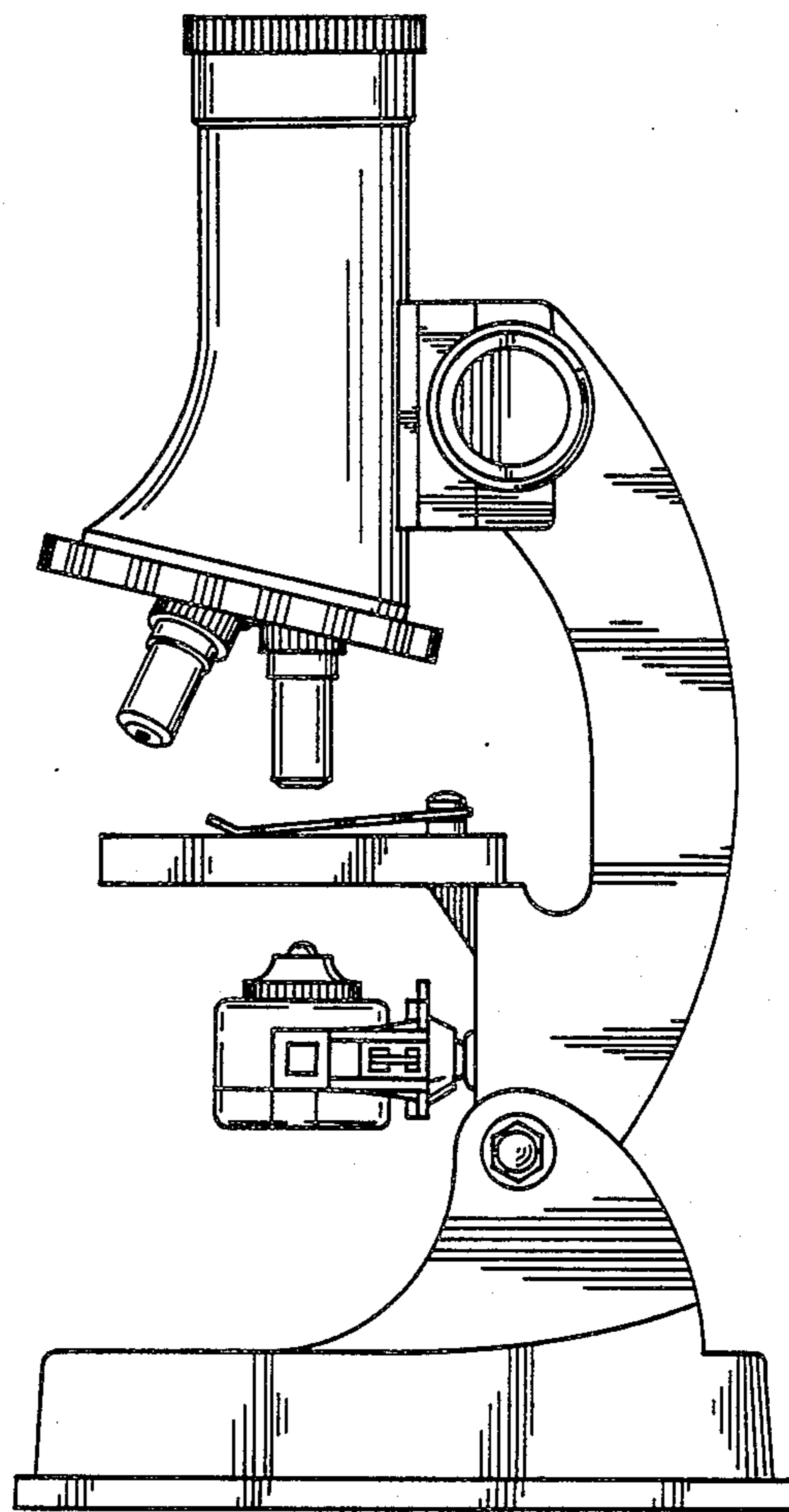


FIG. 4

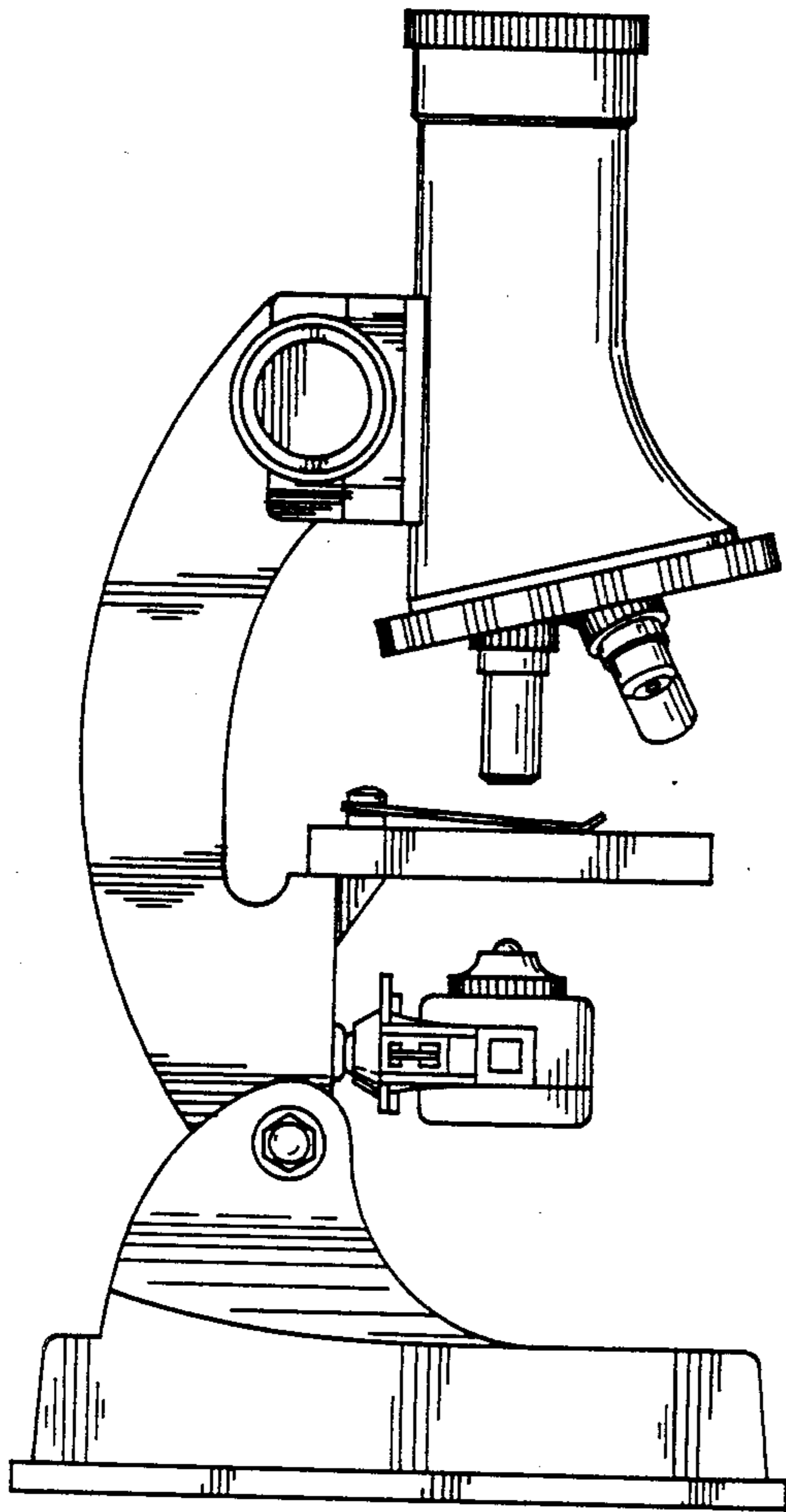


FIG. 3

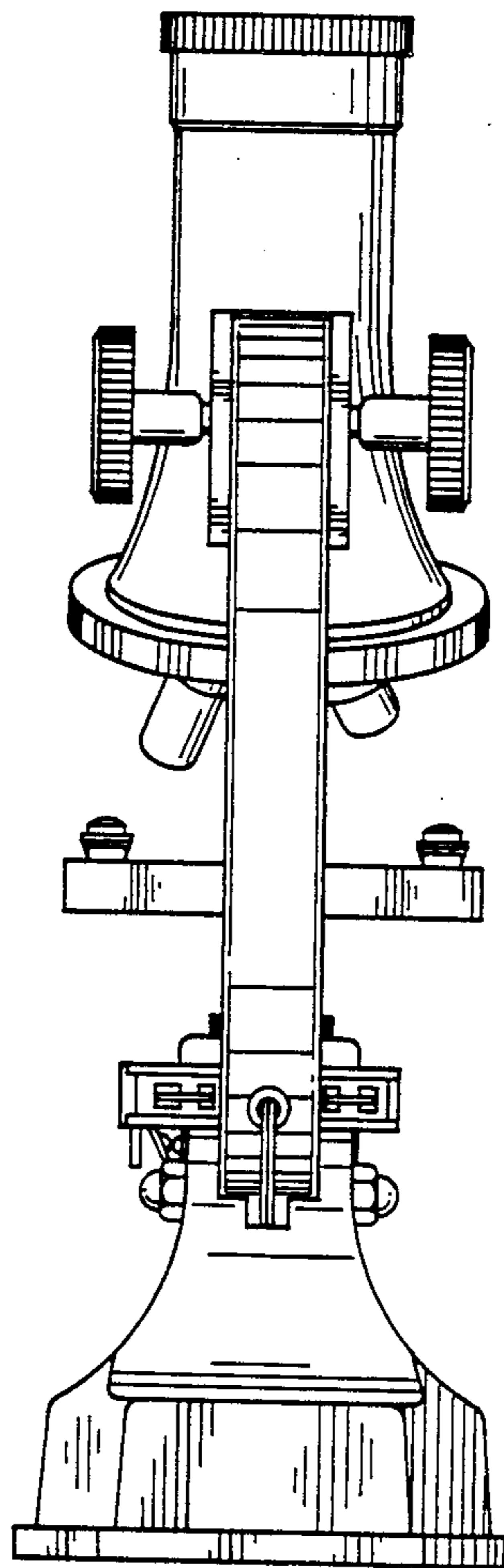


FIG. 6

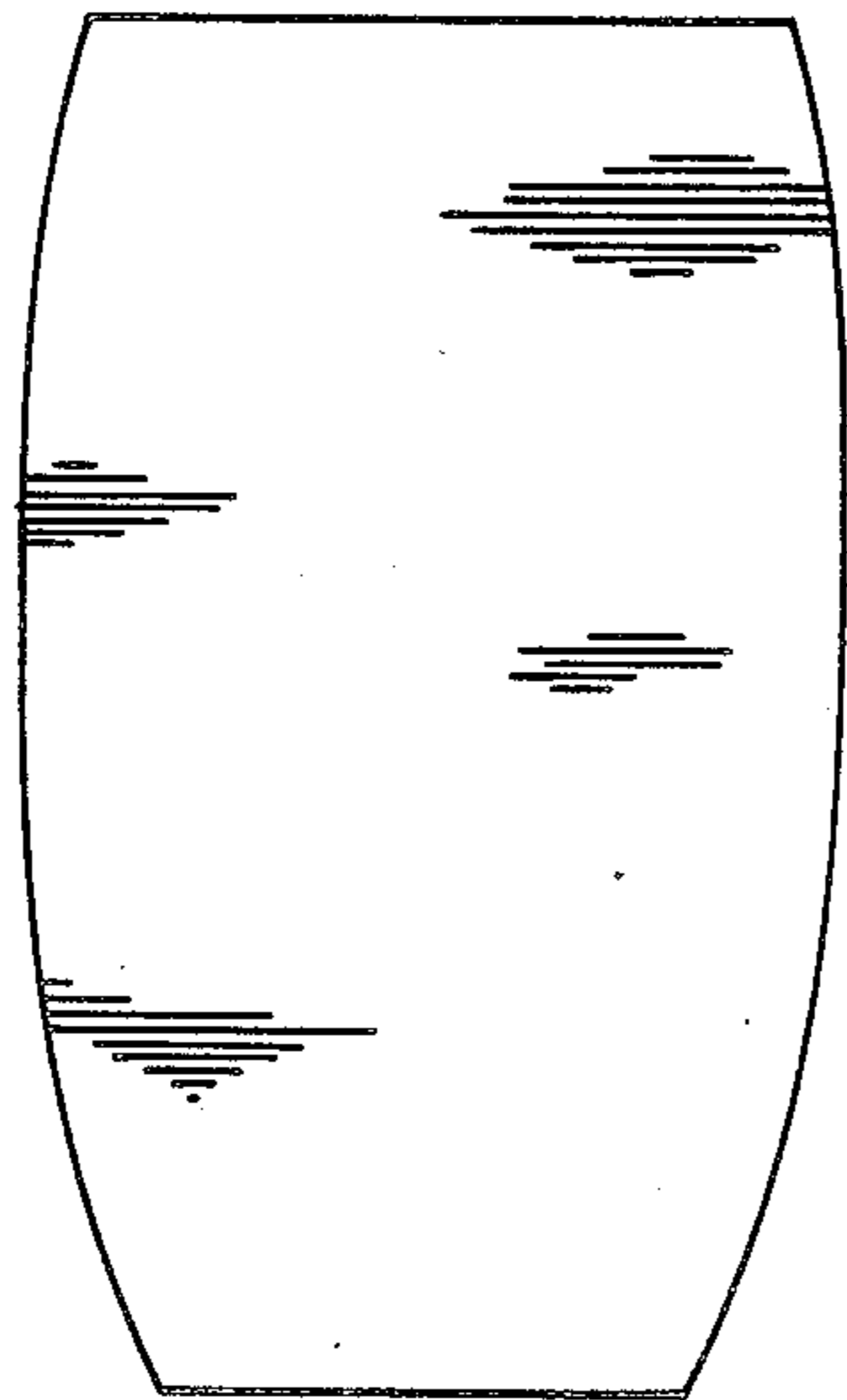


FIG. 5

