

[54] **SPECTACLES**

[75] **Inventor: Joseph Kanoui, Geneva, Switzerland**

[73] **Assignee: Interdica S.A., Villars-sur-Glane, Switzerland**

[**] **Term: 14 Years**

[21] **Appl. No.: 810,051**

[22] **Filed: Dec. 17, 1985**

[30] **Foreign Application Priority Data**

Jun. 17, 1985 [CH] Switzerland DM/005413

[52] **U.S. Cl. D16/102; D16/119**

[58] **Field of Search D16/102-123; 351/41, 44-48, 51-53, 56, 60, 83, 85, 87-93, 95, 102-109, 114, 123, 127, 156**

[56] **References Cited**

U.S. PATENT DOCUMENTS

D. 272,452 1/1984 Kanoui D16/117

FOREIGN PATENT DOCUMENTS

1035009 4/1953 France 351/89

OTHER PUBLICATIONS

The Optician, Oct. 13, 1972, p. 16 "Dorette", frame by Magpie-found in spectacle publication boxes.

Primary Examiner—Wallace R. Burke

Assistant Examiner—C. E. Heflin

Attorney, Agent, or Firm—Cushman, Darby & Cushman

[57] **CLAIM**

The ornamental design for spectacles, as shown and described.

DESCRIPTION

FIG. 1 is a top plan view of the spectacles showing my new design;

FIG. 2 is a right side elevational view thereof;

FIG. 3 is a front elevational view thereof;

FIG. 4 is a left side elevational view thereof;

FIG. 5 is a rear elevational view thereof; and

FIG. 6 is a bottom plan view thereof.

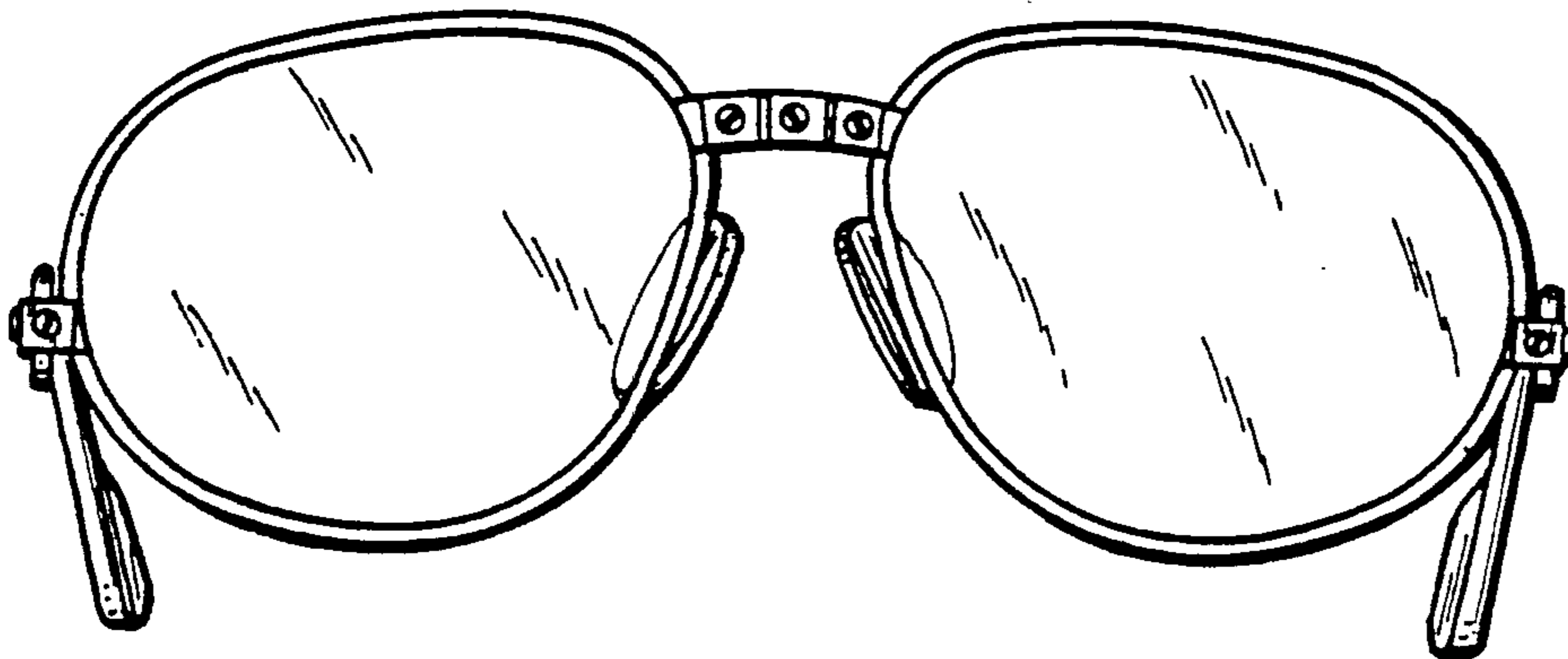


Fig. 1

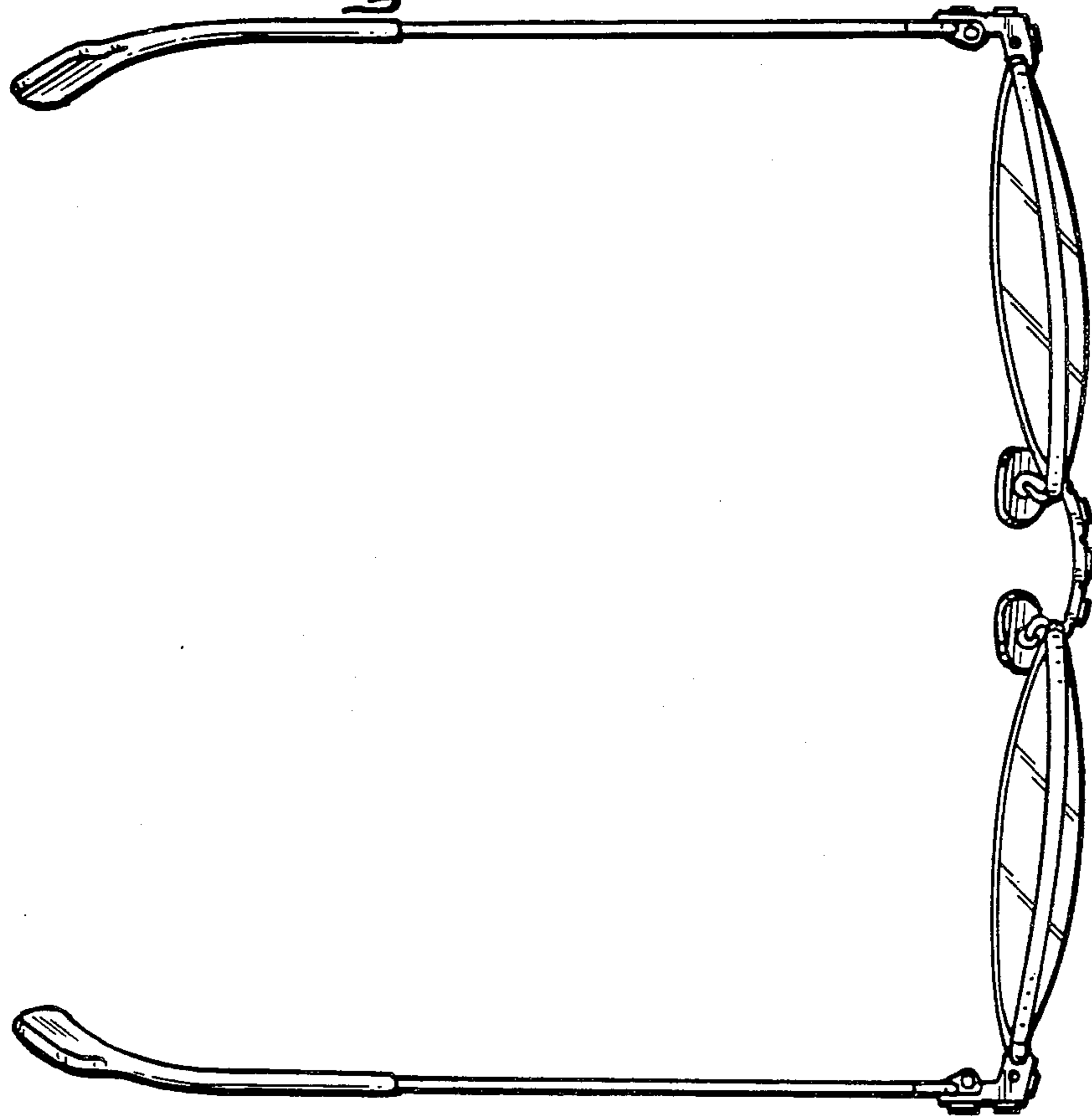


Fig. 2

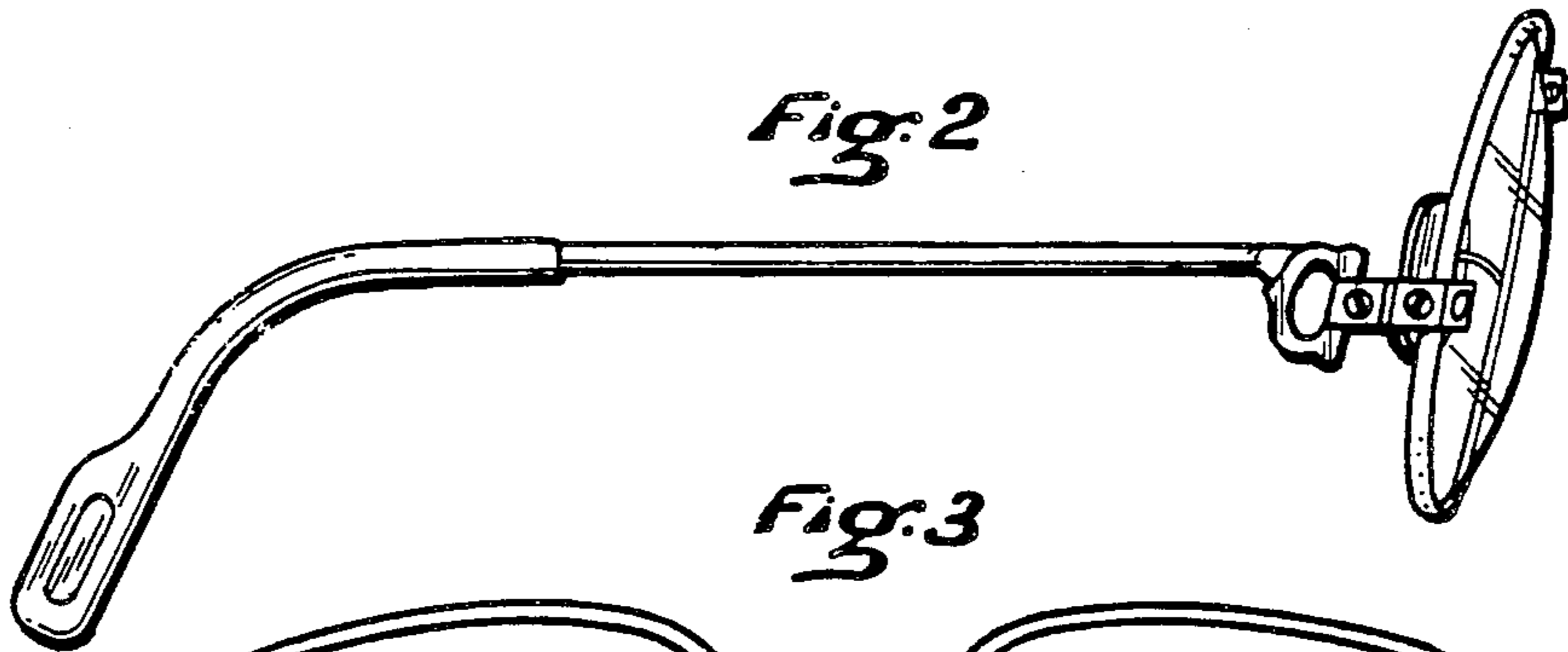


Fig. 3

